



## User Instructions

### Opus 700 Gas Fryer OG7106 and OG7107

Please make a note of your product details for future use:

Date Purchased: \_\_\_\_\_

Model Number: \_\_\_\_\_

Serial Number: \_\_\_\_\_

Dealer: \_\_\_\_\_

\_\_\_\_\_

# OPUS 700

**Please read the following carefully before using this appliance.**

## **Warnings and Precautions**

**Please ensure that all commissioning checks and initial start-up procedures have taken place.**

**Please ensure that the installation engineer has instructed the user how to light, safely operate and shutdown the appliance, and that the user has been made aware of the position and operation of the gas isolating cock for use in the event of an emergency.**

**Whilst in operation parts of the appliance become hot. Please take care to avoid accidental burns. The flue outlet must not be blocked and must be kept clear at all times.**

**This manual should be kept in a safe and accessible place for future reference.**

**This appliance is designed for professional use and must only be operated by qualified personnel.**

**It is mandatory that all appliances are installed, commissioned and serviced by a qualified and competent person as defined by the regulations in force in the country of installation. Failure to comply will invalidate the warranty.**

**Please ensure that the appliance is serviced regularly by a competent and registered catering equipment engineer.**

## **WARNING**

**! Do not overheat the oil**

**! Do not move this appliance when the tank contains oil.**

**! Hot oil can cause severe burns. Avoid direct physical contact.**

**! Always drain food before frying.**

**! Never put water into the oil, as this will cause splashing and possible overflow of the tank.**

**! Never put anything other than food in to the oil.**

**! Parts of this unit may become hot in normal use; therefore suitable precautions must be taken to avoid accidental contact.**

**! Never leave the unit unsupervised whilst frying.**

**! If the unit should begin to smoke, switch off immediately.**

**! In the event of a fire occurring, water should not be used to extinguish it. It is advisable to install a fire extinguisher and have a fire blanket within reach of the fryer.**

**! Do not over fill the tank with oil.**

**! Maintain the oil level above the minimum mark.**

**! Before lighting the appliance please ensure that the tank is filled with oil to the specified capacity as indicated below.**

**! The flue outlet must not be blocked and must be kept clear at all times.**

**! Parts that have been protected by the manufacturer or his agent must not be adjusted by the installer or the user.**

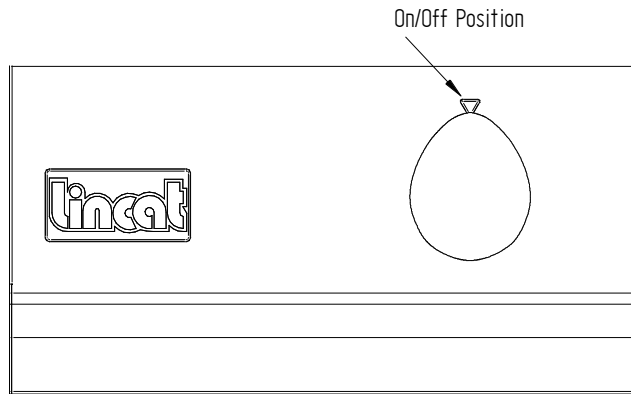
<b>Model No.</b>	<b>Oil Capacity (litres)</b>
OG7106	16
OG7107	20

## Filling with oil

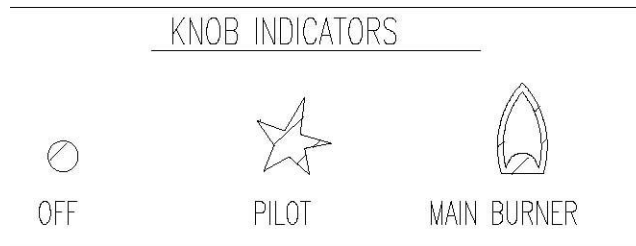
1. Remove the dust cover and locate it behind the wire basket support at the rear of the tank.
2. Check that the drain valve is closed.
3. Fill the tank of the fryer to the higher of the two level marks on the batter plate.

Always use good quality oil and maintain the level as above to avoid early deterioration.

## ControlPanel



**Fig 1.**



**Fig 2.**

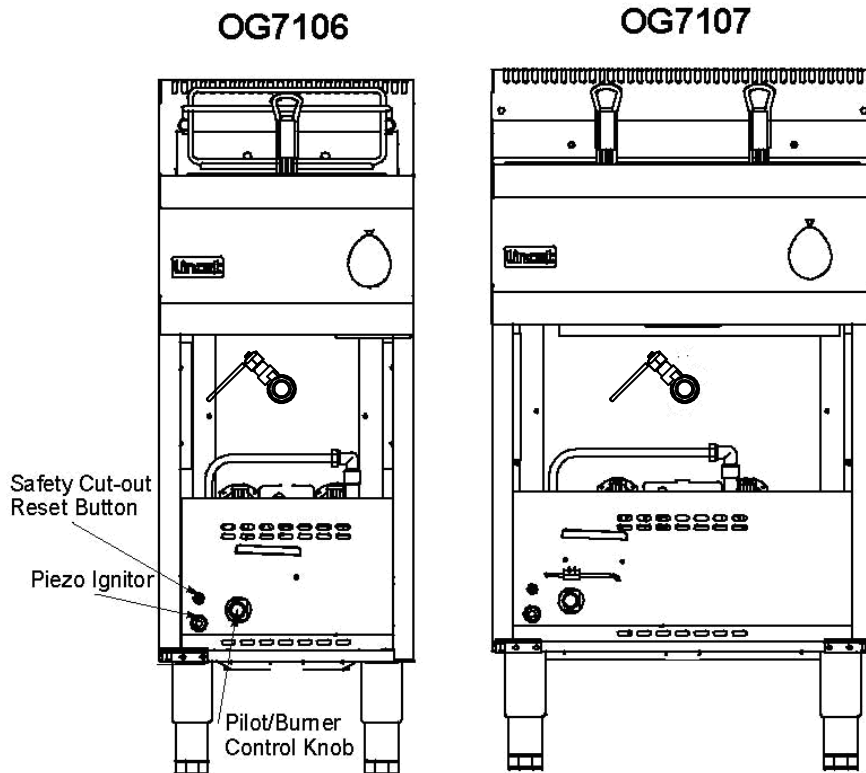


Fig 3

## Lighting the Appliance

Please ensure that the gas isolation valve for the appliance is turned to the open position before attempting to light this unit.

1. Ensure that the thermostat control knob (see fig 1.) is in the OFF position.
2. Press the pilot knob in and turn anticlockwise to the Pilot position (see fig 2.)
3. Keeping the pilot control knob depressed, press the piezo ignition button (see fig 3.)
4. Hold the pilot control knob in for 20 seconds to establish the pilot flame.
5. If the pilot flame fails to ignite, return the pilot control knob to the off position and repeat the process allowing a short period of time for the control to reset.
6. When the pilot is lit, release the pilot control knob and turn fully anti-clockwise to the 'Main Burner' position (see fig 2).
7. To operate the main burner, turn the thermostat control knob (see fig 1.) to the required temperature setting.

## Standby

Once the pilot is lit the appliance may be left on standby by leaving the pilot control knob in the pilot ignition position. When in this position the appliance cannot be operated from the thermostat control knob. To re-ignite the main burners follow steps 6 and 7 above.

**Note: Should the safety cut out thermostat operate during normal use the unit will shut down. To re-light the unit allow the oil to cooled to a temperature below 200°C. Reset the safety thermostat by depressing the red reset button. (see fig 3). To reset the unit, open the door(s) - the reset button(s) are located at the base of the left hand frame pillar. The button is in the centre of the protruding threaded tube.**

## Shutting down the appliance

To turn off the appliance completely:

1. Turn the thermostat knob fully anticlockwise to the OFF position.
2. Press the pilot control knob in and turn to the OFF position.

**Warning: The surfaces behind the door(s) become hot during normal operation. Please take care to avoid accidental burns.**

## Cleaning

Ensure gas supply is isolated before commencing cleaning.

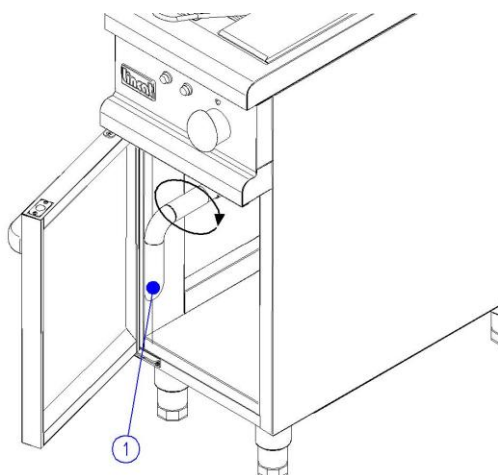
Note: The baskets, batterplates, filter mesh and drain tube can all be cleaned using a commercial dishwasher.

To maintain the condition of the oil it is recommended that it be filtered after every service period. Oil should be replaced when it becomes dark brown in colour and it should be disposed of according to local authority regulations.

**Warning: Always allow oil to cool to a maximum 55°C before draining. Always drain the unit before cleaning or servicing.**

## Draining the oil

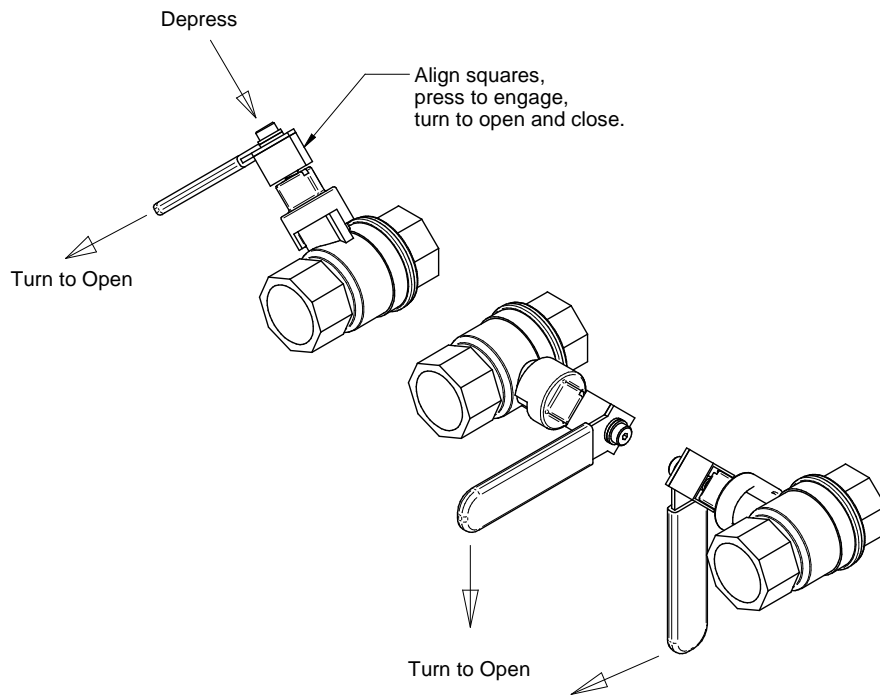
1. Turn the unit off and isolate from the gas supply.
2. Allow the oil to cool to a maximum of 55C.
3. Screw the drainpipe (1) onto the drain valve and place the drain container under the outlet of the pipe, making sure that the filter mesh is in place.
4. Open the tap and allow the oil to drain into the container taking care not to overfill it.



**Fig 4.**

## Cleaning the fryer tanks.

1. Drain as per above instructions.
2. Lift the filter mesh from the oil receptacle and remove larger particles before washing.
3. Wash the tank and the top surface of the fryer body using a warm detergent solution.
4. With the drain tap in the open position using a tube or suitable flue brush, clean the drain tube.
5. Wash all parts thoroughly.
6. Rinse and dry all parts thoroughly.
7. To ensure there is no water left in the drain tube, flush thoroughly with a small amount of clean cooking oil.
8. Reassemble the unit and refill with oil to the correct level.



**Fig 5.**

## Flue Cleaning

### Disassembly of the flue for cleaning.

1. Unscrew the two locking pins to release the spillage guard.
2. Lift the wire basket support from the mounting bosses.
3. Reassemble in reverse order.

**This appliance should be serviced and maintained regularly, according to the service instructions. Before carrying out any maintenance on this appliance, isolate from the gas supply. See “ServiceInformation” below.**

## **SERVICE INFORMATION**

Gas catering equipment should be routinely serviced to ensure a long trouble free life. It is recommended that this appliance is serviced every 6 months by a competent gas engineer. For help regarding the installation, maintenance and use of your LINCAT equipment, please call:

### **LINCAT SERVICE HELP DESK**

 **01522 875520**

#### **AUTHORISED SERVICE AGENTS**

We recommend that all servicing other than routine cleaning be carried out by our authorised service agents we cannot accept responsibility for work carried out by other persons.

Please quote both the model and serial numbers from the data plate attached to the unit. Give brief details of the service requirement.

If possible please quote the product code of the part number you require.

Work carried out under warranty will normally be undertaken only during normal working hours, i.e. Monday to Friday, 8.30 a.m. - 5.00 p.m.

#### **CONDITIONS OF GUARANTEE**

The guarantee does not cover:-

- 1) Accidental breakage or damage
- 2) Operational misuse, wear and tear from normal usage, incorrect adjustment, or neglect.
- 3) Incorrect installation, maintenance, modification or unauthorised service work.

## SPARE PARTS LIST

The following components are listed with the Lincat reference number followed by a brief description.

PARTNUMBER	DESCRIPTION
BA82	Basket
BA83	Halfbasket
WI09	Basket support (OG7107)
WI12	Basket support (OG7106)
BU77	Burner (OG7106/7)
JE31	Cross-light jet natural (OG7106)0.026"
JE32	Cross-light jet butane/propane (OG7106)0.016"
JE91	Cross-light jet natural (OG7107)0.65mm
JE92	Cross-light jet butane/propane (OG7107)0.35mm
JE97	Burner injector natural (OG7106)3.0mm
JE98	Burner injector butane/propane (OG7106)2.0mm
JE94	Burner injector natural (OG7107)3.15mm
JE95	Burner injector butane/propane (OG7107)2.15mm
JE86	Pilot injector natural (OG7106/7)0.51mm
JE87	Pilot injector butane/propane (OG7106/7)0.35mm
VA20	Control valve
PI25	Pilot body (OG7106)
PI18	Pilot body (OG7107)
TC40	Thermocouple (OG7107)
TC41	Thermopile
TH95	Control Thermostat
TH97	Safety thermostat
TA101	Drain valve
LE37	Adjustable leg
KN253	Control knob
IG39	Ignition lead
IG15	Igniter electrode
IG35	Piezo igniter
IG37	Igniter earth lead