



Assembly Instructions

Opus 800 Floor Stands
OA8914, OA8917, OA8921, OA8934 &
OA8956

Fitting Instructions to Floor Stands

Please make a note of your product details for future use:

Date Purchased: _____

Model Number: _____

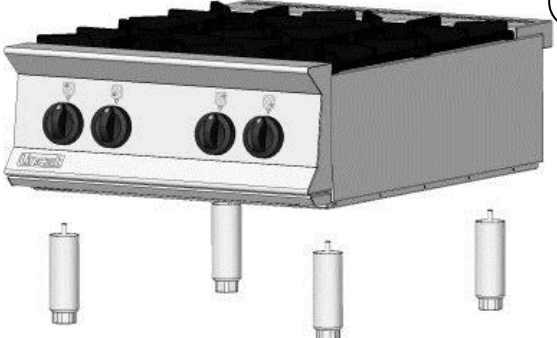
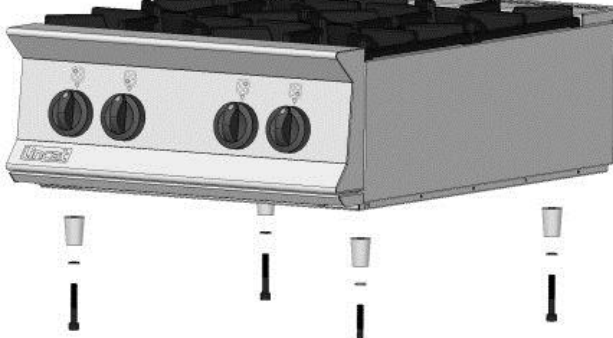
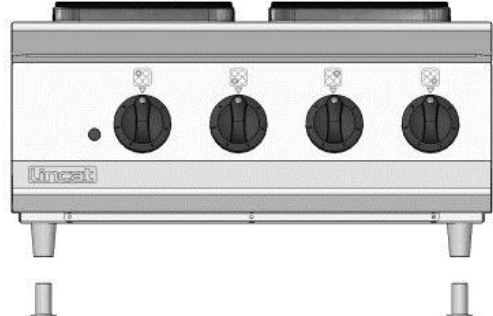
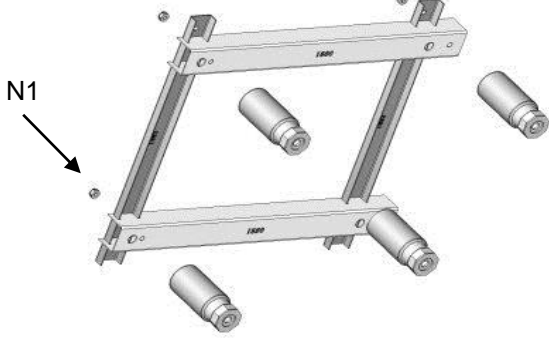
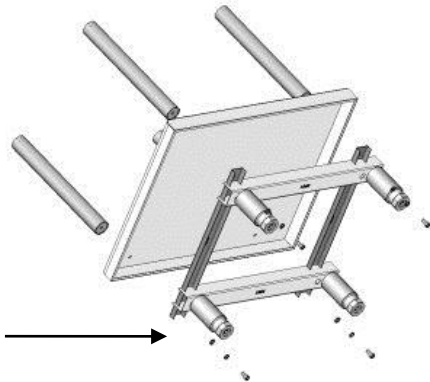
Serial Number: _____


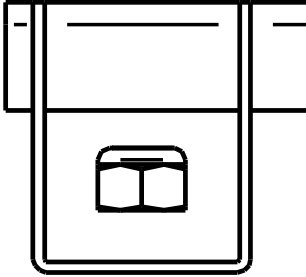
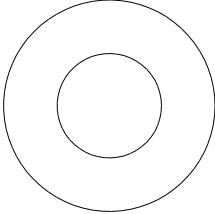
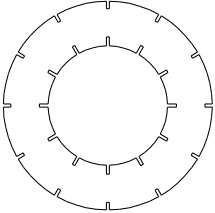
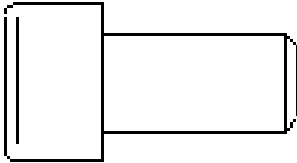
Dealer: _____

Opus **800**

Opus 800 Floor Stand Assembly

Remove all protective packaging before assembling parts

| | |
|--|--|
|  |  |
| <p>Gas appliances only Remove each leg from the appliance and discard</p> | <p>Fit plugs to the base of the appliance</p> |
|  | |
| <p>Electrical appliances only Remove the adjustable section from each leg and discard</p> | |
| <p>2</p> <p>Secure the new adjustable feet to the lower sub-frame as detailed using nuts N1 Note the hole positions to be used</p> <p>For floor stands with castors the braked castors are fitted to the front and the plain castors are fitted to the rear in the same manner at the adjustable feet</p> |  |
| <p>3</p> <p>Secure the sub-frame and lower shelf to the columns as detailed Note the radius of the shelf is to the front of the appliance</p> |  |

| | |
|--|---|
| <p>Lower the appliance onto the columns</p> <p style="text-align: right;">4</p> |  |
| <p>N1 – M10 self locking nut placed inside of channel as in instruction 2</p> |  |
| <p>AA – M10 Flat washer as in instruction 3</p> |  |
| <p>BB – M10 Shake proof washer as in instruction 3</p> |  |
| <p>CC - M10 Cap screw as in instruction 3</p> |  |

| Description | Quantity |
|--|----------|
| Adjustable leg | 4 |
| Swivel Castors (where applicable) Option | 4 |
| Tubular column | 4 |
| Lower shelf | 1 |
| Sub- frame | 1 |
| M10 Shake proof washers | 8 |
| M10 Flat washers | 4 |
| M10 Self locking nut | 4 |
| M10 Cap screw - short | 4 |
| M10 Cap screw - long | 4 |
| Tapered Plugs | 4 |
| Spanner | 1 |
| Allen key | 1 |

Assembly of Appliance to Floor Stand

Remove all protective coating from appliance and floor stand shelf

Remove loose parts to reduce lifting weight, i.e. drawers, splash backs etc.

Note: Manual handling assessment should be observed

Remove the adjustable feet from the appliance

Secure the tapered plugs to the base of the appliance – gas appliances only

Fit the new adjustable feet to the sub-frame

Using the cap screws and washers provided screw the appliance through the lower shelf to the columns, securing fully with the allen key provided.

Place the appliance onto the assembled floor stand

Replace the loose parts, i.e. drawers, splash backs etc.

Adjust the floor stand legs to level the appliance

OA8934 and OA8921 Floor Stands

Additional information:

These floor stands (300mm and 400mm wide) are supplied with an SK01 stabilizer kit and fitting instructions.

The stabilizer is attached to a cross-member plate (Part no 30122 or 30124). This plate needs to be securely attached to the floor stand sub-frame, using the supplied M5x16 setscrews and shakeproof washers (4 off).

Ensure that the cross-member plate is fitted with the etched text 'Front', to the front of the floor stand.

