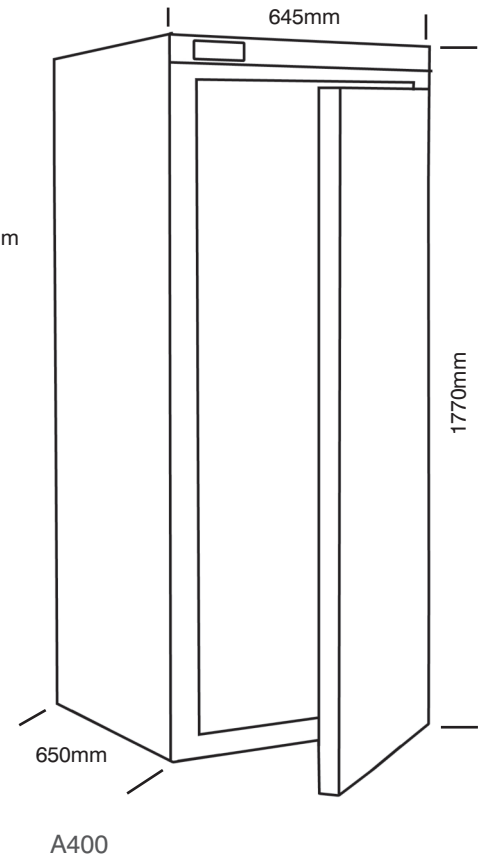
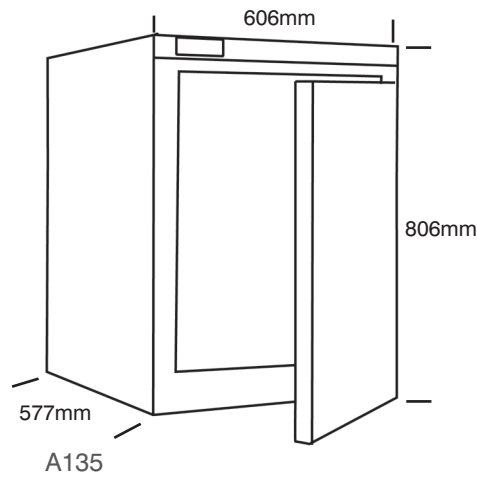


Amber Range

Model: A135, A400 & A280 - Datasheet



Key Features

- Foodsafe white PVC or stainless steel exterior with aluminium interior
- CoolSmart controller is designed for easy operation and features clear digital display
- Designed and engineered to operate efficiently up to a 32°C ambient, this exceeds Climate Class 4
- Precision injected, high density polyurethane insulation. Provides excellent thermal efficiency with low GWP (Global Warming Potential) and zero ODP (Ozone Depletion Potential)
- Adjustable feet fitted as standard
- Barrel locked doors for added security
- Front vented refrigeration system for increased performance and efficiency allowing undercounter positioning for the A135 and A280

- Nylon coated wire adjustable shelves for refrigerator models and fixed shelves for freezer models
- High efficiency fans for improved air circulation and performance
- Can be connected to a Williams temperature monitoring TAB system

Options

- Additional shelves / clips
- 50mm castors
- Glass door (high temp, SA models only)
- Interior light (high temp, SA models only)
- Left hand hung door
- Hydrocarbon versions available on the A135 & A400 models

Variant	Temp	Storage
HA135WA	+1/+4°C	General Produce
HA135SA	+1/+4°C	General Produce
LA135WA	-18/-22°C	Frozen Food
LA135SA	-18/-22°C	Frozen Food
HA400WA	+1/+4°C	General Produce
HA400SA	+1/+4°C	General Produce
LA400WA	-18/-22°C	Frozen Food
LA400SA	-18/-22°C	Frozen Food
HA280	+1/+4°C	General Produce

Dimensions

	HA135WA	HA135SA	LA135WA	LA135SA	HA400WA	HA400SA	LA400WA	LA400SA	HA280
External (mm):	H806 W606 D577	H806 W606 D577	H806 W606 D577	H806 W606 D577	H1770 W645 D650	H1770 W645 D650	H1770 W645 D650	H1770 W645 D650	H806 W1210 D577
Internal (mm):	H606 W536 D435	H606 W536 D435	H606 W536 D435	H606 W536 D435	H1555 W545 D505	H1555 W545 D505	H1555 W545 D505	H1555 W545 D505	H606 W1140 D415
Door Opening (mm):	D1143 W618	D1143 W618	D1143 W6180	D1143 W618	D1260	D1260	D1260	D1260	D1143
Packed:	H870 W626 D597	H870 W626 D597	H870 W626 D597	H870 W626 D597	H1790 W665 D670	H1790 W665 D670	H1790 W665 D670	H1790 W665 D670	H950 W1310 D677
Weight:	52kg	54kg	47kg	52kg	80kg	92kg	90kg	100kg	123kg

Add 5kg per product for packaging

Important Information

	HA135WA	HA135SA	LA135WA	LA135SA	HA400WA	HA400SA	LA400WA	LA400SA	HA280
Capacity: cu.ft/litres	5/133	5/133	5/133	5/133	14.3/406	14.3/406	14.3/406	14.3/406	10/280
Construction									
Exterior	0.55mm white PVC galvanised steel	0.7mm stainless steel	0.55mm white PVC galvanised steel	0.7mm stainless steel	0.55mm white PVC galvanised steel	0.7mm stainless steel	0.55mm white PVC galvanised steel	0.7mm stainless steel	0.7mm stainless steel
Interior	0.7mm aluminium	0.6mm aluminium	0.7mm aluminium	0.6mm aluminium	0.7mm aluminium	0.6mm aluminium	0.7mm aluminium	0.6mm aluminium	0.6mm aluminium
Door	0.6mm stainless steel	0.6mm stainless steel	0.6mm stainless steel	0.6mm stainless steel	0.6mm stainless steel	0.6mm stainless steel	0.6mm stainless steel	0.6mm stainless steel	0.6mm stainless steel
Power Supply	220V/240V 50Hz/1Ph 13 amp plug	220V/240V 50Hz/1Ph 13 amp plug	220V/240V 50Hz/1Ph 13 amp plug	220V/240V 50Hz/1Ph 13 amp plug	220V/240V 50Hz/1Ph 13 amp plug	220V/240V 50Hz/1Ph 13 amp plug	220V/240V 50Hz/1Ph 13 amp plug	220V/240V 50Hz/1Ph 13 amp plug	220V/240V 50Hz/1Ph 13 amp plug
Power Input									
Start Up	8.25 amps	8.25 amps	12 amps	12 amps	8.25 amps	8.25 amps	15.7 amps	15.7 amps	10.3 amps
Running	1.5 amps	1.5 amps	1 amps	1 amps	1.75 amps	1.75 amps	1.75amps	1.75 amps	2.4 amps
Compressor HP	1/5	1/5	1/5	1/5	1/5	1/5	1/3	1/3	1/4
Energy Consumption (Tested to EN153) in 24hrs	1.28kW	1.28kW	2.21kW	2.21kW	1.95kW	1.95kW	2.5kW	2.5kW	3.2kW
Heat Rejection (Evaporating at -10°C in 32°C ambient)	330 watts	330 watts	390 watts	390 watts	330 watts	330 watts	708 watts	708 watts	565 watts
Refrigerant	R134a	R134a	R404a	R404a	R134a	R134a	R404a	R404a	R134a
Defrost	Auto off-cycle	Auto off-cycle	Manual defrost Door mullion heaters	Manual defrost Door mullion heaters	Auto off-cycle	Auto off-cycle	Manual defrost Door mullion heaters	Manual defrost Door mullion heaters	Auto off-cycle
Insulation ODP Zero Polyurethane	35mm	35mm	35mm	35mm	50mm	50mm	50mm	50mm	35mm
Noise Output	43.0dBA	43.0dBA	44.0dBA	44.0dBA	43.0dBA	43.0dBA	44.0dBA	44.0dBA	43.0dBA
Fittings									
Shelves	2 adjustable	2 adjustable	2 fixed	2 fixed	4 adjustable	4 adjustable	6 fixed	6 fixed	4 adjustable



Bryggen Road, North Lynn Industrial Estate
King's Lynn, Norfolk PE30 2HZ

T +44 (0) 1553 817000

F +44 (0) 1553 817111

Spares +44 (0)1553 817017

E info@williams-refrigeration.co.uk

W www.williams-refrigeration.com

Allow minimum of 500mm above cabinet for maintenance and ventilation. All refrigeration equipment requires adequate ventilation for efficient and effective performance. Williams are committed to a policy continuing product development and innovation and as such, we reserve the right to change product specifications stated without prior notice.

V8 - January 2011