



*solo per professionisti*

Sirman SpA  
Viale dell'industria 9/11  
35010 Pieve di Curtarolo (PD) Italy  
Tel/Fax +39 049 9698666/9698668  
E-mail. [info@sirman.com](mailto:info@sirman.com)

### MANTEGNA 300 BS



- Innovative rounded design and no sharp edges or visible screws
- Chrome plated ground and lapped slide rod
- Lapped cast iron slide rod bushing
- Vulcanised rubber stops on carriage
- Removable support cover for thickness gauge plate
- Stainless steel slice deflector with snap-on bayonet fitting
- Stainless steel screws and fittings
- Bottom cover for accessing electrical components
- Built-in sharpening tool with bottom protection
- Easy to remove grease guard mounted along the thickness gauge plate
- Standard blade removal tool
- Plastic knobs
- Rubber feet
- Plastic pushbuttons with IP67 protection rating.



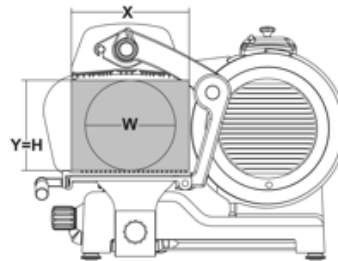
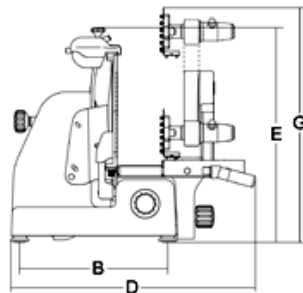
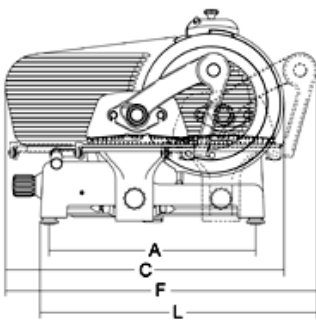
Wide space between blade and motor



Removable food pusher BS1



Incorporated sharpener



<b>Model</b>	MANTEGNA 300 BS
<b>Ø blade</b>	mm 300 - inch. 12
<b>Motor</b>	watt 275 - Hp 0,37
<b>Cut of thickness</b>	mm 29
<b>Run of carriage</b>	mm 310
<b>Hopper</b>	mm 300x270
<b>A</b>	mm 468
<b>B</b>	mm 338
<b>C</b>	mm 635
<b>D</b>	mm 600
<b>E</b>	mm 500
<b>F</b>	mm 750
<b>G</b>	mm 695
<b>L</b>	mm 650
<b>X</b>	mm 270
<b>Y</b>	mm 230
<b>H</b>	mm 230
<b>W</b>	mm 230
<b>Net weight</b>	kg 36,5
<b>Shipping</b>	mm 870x840x750
<b>Gross weight</b>	kg 51,5

