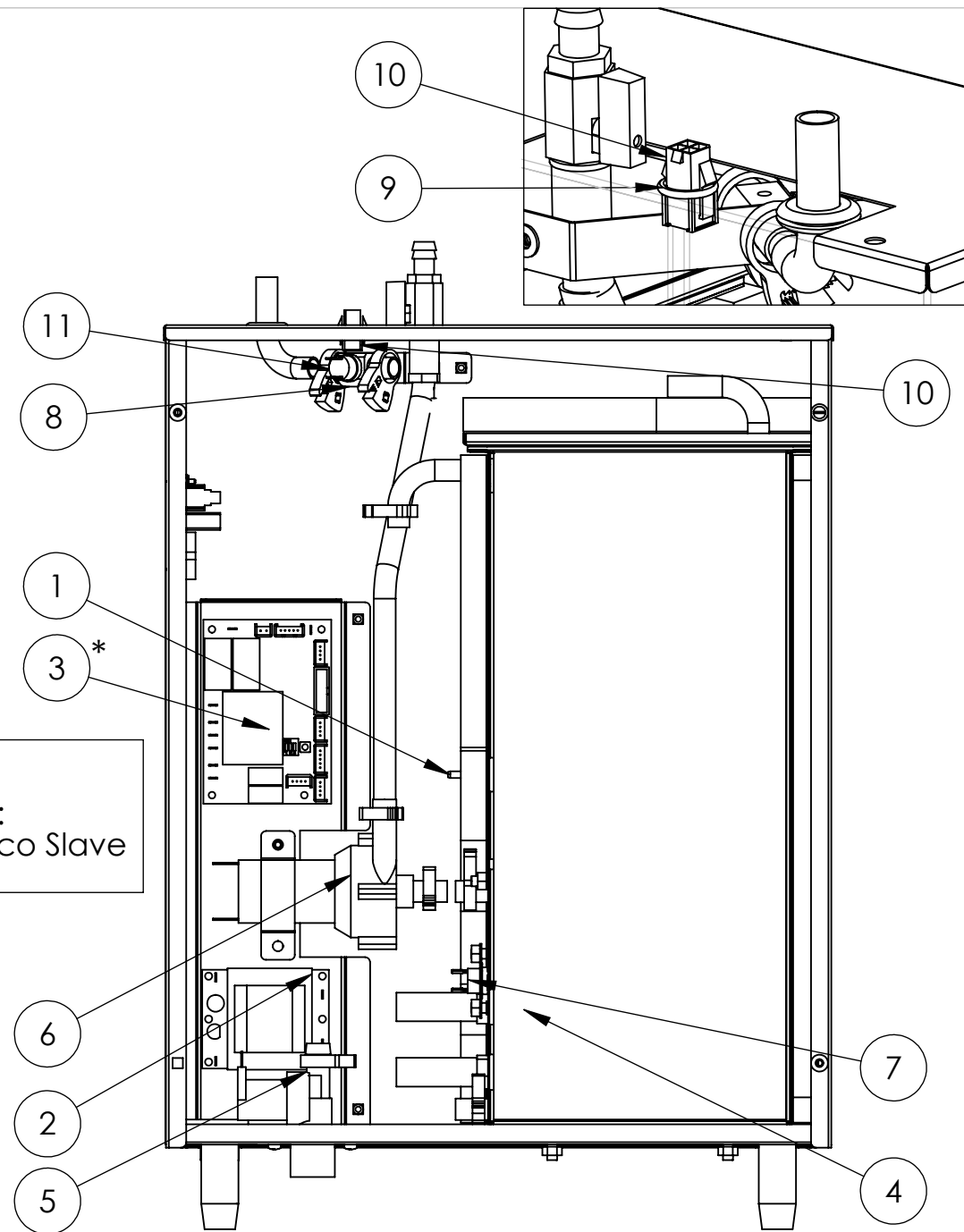


ITEM NO.	PART NUMBER	DESCRIPTION	QTY.
1	2301463	PROBE COMPLETE ASSEMBLY 40mm	2
2	1600366	24V DC PUMP SUPPLY	1
3	1600345	ECO MAIN PCB	1
4	1500950	ELEMENT 2.4kW 230V	1
5	1502190	VALVE INLET SOLENOID 240V 3/4"	1
6	1501542	PUMP MULLER 24V DC	1
7	1502087	THERMAL SWITCH 130 DEG	1
8	1502089	Thermal Switch Mount Brass	1
9	1800780	O RING FOR PROBE	1
10	1400611	Connector mini fit 4 way socket	1
11	1502088	Thermal Switch 90deg, M4 Stud Mount	1



*NOTE:
On 1000750 USE PCB:
P/N: 1600354 P.C.B Eco Slave



UNLESS OTHERWISE SPECIFIED: DIMENSIONS ARE IN MILLIMETERS
TOLERANCES: LINEAR: +/-0.2mm

DESCRIPTION:	EXPLODED INTERNAL 1000740 1000750	DRAWN BY	FMcA	19-08-11
DWG NO.:	UC04-021A	APPROVED BY	JJ	19-08-11
MATERIAL:	N/A	REVISION	A	CO: 575
				SCALE:1:4