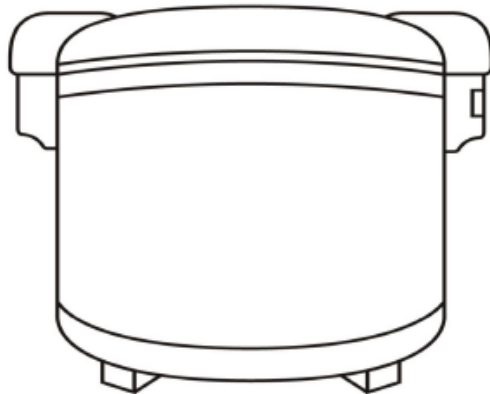




**Rice Warmer 20 Litre  
Instruction Manual**



**Model**

HEB641

**Thank you for purchasing your Chefmaster Rice Warmer. To make full use of the product please read this manual carefully before using the product and keep it safe for future reference.**

### **Safety Tips**

- Read all instruction carefully.
- Do not use any appliance with a damaged cord or plug. If the cord is damaged it should be replaced with the same type and size or bring the unit to the nearest authorised service center.
- Do not plug into multi-sockets with other appliances.
- The appliance is not intended for use by person (including children) with reduced physical, sensory or mental capabilities, or lack of experience and knowledge, unless they have been given supervision or instruction concerning use of the appliances by the person responsible for their safety.
- Do not place the rice warmer near inflammable or combustible materials.
- Do not place the rice warmer on or near gas or electric hobs.
- Do not use the rice warmer outdoors.
- Use the rice warmer only with the supplied inner pot. Do not use the inner pot for other purpose than warming rice.
- Do not use the inner pot on direct heat.
- Be cautious of high temperature during warming. Do not touch the hot surface. Only use the knobs or handles.
- Do not allow cord to touch hot surface of the rice warmer.
- Do not loop the cord around the rice warmer after use.
- Keep the rice warmer in a dry and cool place.

### **Pack Contents**

- 1 x Chefmaster Rice Warmer
- 1 x Spatula

## **Operation**

1. Wipe the inner pot and inner lid clean and dry.
2. Place the pot in the warmer and close the lid properly.
3. Plug in the rice warmer to switch on and pre-heat for 30 minutes before use.
4. After the warmer is preheated, put cooked hot rice into the inner pot & close the lid to keep warm.

**IMPORTANT:** Do not put other type of pot into the rice warmer.

5. The warmer can keep rice warm only when the rice is already hot.

**NOTE:** It is recommended to keep rice in the warmer for not more than 12 hours.

6. Unplug the warmer from the mains when not in use.

## **Cleaning and Maintenance**

1. Always disconnect the warmer from power supply before cleaning.
2. Allow the unit to cool before cleaning.
3. Condensation collector, inner lid, spatula, and inner pot are washable with soap and water.
4. Clean the exterior of the rice warmer with a damp cloth.
5. Do not immerse the unit in water or in any other liquid.
6. Always keep the bottom of the inner pot and the warmer's plate clean.
7. The inner pot of the rice warmer is TEFLEX coated. To avoid scratches do not use abrasive cleaners and use only the supplied spatula.

## **Technical Information**

### **HEB641 – Rice Warmer**

Voltage 230VAC, 50Hz

Power 105watt

Weight 8kg

Dimensions 480 x 385 x 380 mm

- Chefmaster Rice Warmer is supplied with a 3 pin plug and lead with a 13 amp fuse.
- Appliance must be earthed.
- If in doubt contact a qualified electrician or your Chefmaster distributor.

## **Disposal**



Under WEEE regulations this product must not be disposed of as household waste. To prevent damage to the environment and humans this product must be disposed of in an approved and environmentally friendly recycling process. For more information on how to dispose of this correctly please contact your Chefmaster distributor or local authority responsible for waste disposal.

## **Compliance**



All Chefmaster parts and products have under gone a stringent testing process to ensure that comply with all European standards and specifications.

All Chefmaster products carry the CE approval symbol.