

GENERATION 5.0

GRAM REFRIGERATORS AND FREEZERS
MANUFACTURED FOR PROFESSIONAL KITCHENS

GRAM

**SUPERIORPLUS
SUPERIORTWIN
SUPERIOREURO**

**ECOPLUS
ECOTWIN
ECOEURO
ECOMIDI**

SUPERIOR :: ECO



Good news for operators and consultants dedicated to reducing environmental costs in the foodservice marketplace



GRAM SUPERIORPLUS
Winner of the 2015 Green GOOD DESIGN award



Read about the importance of the ECO friendly logo on our website



GENERATION 5.0

GRAM REFRIGERATORS AND FREEZERS MANUFACTURED FOR PROFESSIONAL KITCHENS

A ground breaking and radical design update paves the way for our new generation of super energy efficient refrigerators and freezers. The new Gram SUPERIOR and ECO models will initially be introduced in the popular PLUS, TWIN, EURO and MIDI series of cabinets.

SUPERIOR is designed to lead the market in exceeding the new stringent EU energy labeling requirements. The European wide Ecodesign directive becomes effective on 1st July 2016 with Gram SUPERIOR refrigerators already ranking in the very best energy class (A).

5 YEAR WARRANTY
5

285
kWh/year

GRAM SUPERIORPLUS

With an energy consumption of only 285 kWh/year (Ecodesign energy test) the SUPERIOR PLUS 72 refrigerator already ranks in energy class A according to new EU legislation that will be introduced by 1st July 2016.



A

REVOLUTIONARY DESIGN

GRAM REFRIGERATORS AND FREEZERS MANUFACTURED FOR PROFESSIONAL KITCHENS

Unorthodox, out-of-the-box thinking lies behind the creation of GRAM SUPERIOR and ECO. Resulting in stylish refrigerators and freezers which stand out from the crowd, featuring completely new ground breaking technological solutions.

The new Generation 5.0 SUPERIOR and ECO models in the PLUS, TWIN, EURO and MIDI series of cabinets from Gram Commercial are replacing the earlier models in the same series. These new cabinets combine stylish design with high functionality and exceptionally low energy consumption.

- The controls are concealed behind the top panel, protected against splashing water.
- Designed for easy cleaning with smooth surfaces throughout.
- The striking full length aluminium profiles on both sides of the cabinet impart additional strength and durability while enhancing the design.
- Modular shelf wall rails can be placed directly into the dishwasher.
- Pedal door opener adding functionality and ease of operation to a busy work environment.

GREAT NEW FEATURES
- WATCH THE MOVIE



SUPERIOR in stainless steel finish on the left. ECO is displayed in Vario Silver, matt black and white finish. Vario Silver is a durable coated finish with a light, stainless appearance. With the white or black finish fingermarks and staining on the surface are not clearly visible. The matt black colour is a special finish with a light surface texture.

SUPERIOR models are characterised by a transparent top panel of impact resistant material.



MATERIALS & COMBINATIONS

FREE CHOICE OF OUTER AND INNER SURFACES



PLUS, TWIN & EURO

Exterior surface	Inner surface	
	C: Stainless steel	A: Aluminium
C: Stainless steel	CC	CA
R: Vario Silver ¹	RC	RA
L: White finish	LC	LA
B: Matt black finish ²	BC	BA

MIDI

Exterior surface	Inner surface		
	C: Stainless steel	A: Aluminium	L: White
C: Stainless steel	CC ³	Not available	Not available
R: Vario Silver ¹	Not available	RA ⁴	Not available
L: White finish	Not available	LA ⁴	LL ⁵

¹ Vario Silver is a coated finish with a light, stainless appearance. As for white or black finish one benefit is that fingermarks on the surface are not visible.
² Special finish. Contact our customer service for lead time.
³ Not available for glass door cabinets with illuminated advertising display panel.
⁴ Not available for M-temperature cabinets or glass door cabinets.
⁵ Only available for glass door cabinets.



Door closes automatically.

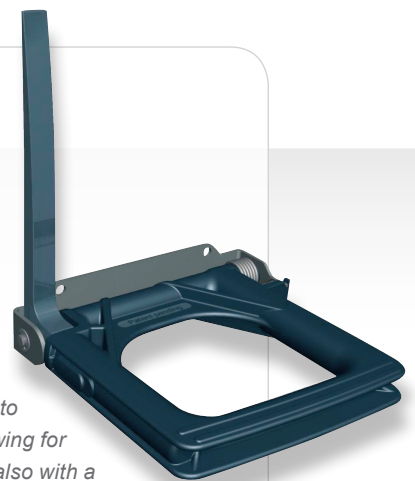
Door stays open.

90°

PEDAL DOOR OPENER WITH FINESSE

NEW DESIGN, NEW ADVANTAGES

Designed for maximum flexibility in the kitchen. Operators can customise the pedal attachment to be fitted on the left or right side of the unit, allowing for left-side or right-sided door opening. It is fitted also with a spring to avoid excess torque in the pedal.



PLUS, TWIN, EURO & MIDI

EXTENDED OPTIONS

MEETING YOUR INDIVIDUAL REQUIREMENTS

ALL LINES CAN BE SUPPLIED WITH BUILT-IN REFRIGERATION UNIT, ECO MODELS ALSO FOR CONNECTION TO REMOTE REFRIGERATION UNIT.



HALF-DOORS FOR CONVENIENCE

The **ECO PLUS HD cabinet** has two half-doors which is very convenient for busy operators i.e. fastfood restaurants. The half-doors also reduce the cold loss that comes with many daily door openings.

Available as refrigerator or freezer in stainless steel finish.



CABINETS FOR THE MARINE AND OFFSHORE SECTOR

ECO PLUS, TWIN, EURO and MIDI Marine cabinets equipped for marine usage. All cabinets are supplied with a compressor that operates at 230 V/60 Hz. The cabinets are delivered pre-mounted with a dedicated locking handle, marine legs and stainless steel marine shelves (HFC variant only).

Available as refrigerator or freezer in stainless steel finish.



CABINETS WITH GLASS DOOR

Refrigerators as ECO models in the **PLUS, TWIN, EURO and MIDI product lines**. Freezers as ECO models in the **MIDI product line**. The glass door provides an excellent merchandising overview and clearly highlights the stored items.

Offered with stainless, Vario-silver and white exterior as standard. MIDI cabinets with illuminated advertising display panel have a white exterior – see example on page 9.



DEEP, WIDE OR EURONORM ?



PLUS

cabinets are suitable for the 2/1 deep GN system where two 1/1 GN pans can be placed behind one another on the stainless support rails.



TWIN & MIDI 82

cabinets are suitable for the 2/1 wide GN system where two 1/1 GN pans can be placed side by side on the shelves.



MIDI 60

cabinets are suitable for the 1/1 GN system. One 1/1 GN pan can be placed on each shelf.



EURO

Shelf dimensions are the standard Euronorm, i.e. 40 x 60 cm.



COMBINE THE FOLLOWING TEMPERATURE RANGES:

K	K	K	
K	M	F	
M	M	M	F
K	M	F	F

K	Refrigeration	+2/+12°C
M	Medium	-5/+12°C
F	Freezing	-25/-5°C

CABINETS WITH BOTTOM-MOUNT COMPRESSOR

Available as **ECO models in the MIDI product line**. The series comprise the MIDI 82 and 60 series which relates to the external width of the cabinets. Choice of solid door and glass door.

Offered with stainless, Vario-silver and white exterior as standard. MIDI cabinets with illuminated advertising display panel have a white exterior – see example on page 9.

COMBI-CABINETS FOR FLEXIBILITY

The **ECO TWIN combi-cabinet** combines 2 temperature ranges in one cabinet, offering you the ultimate in food storage flexibility.

Available in stainless steel finish.



PLUS, TWIN, EURO & MIDI

STANDARD AND SPECIAL FINISHES

PLUS, TWIN AND EURO SERIES WITH TOP-MOUNT COMPRESSOR



Read about the importance of the ECO friendly logo on our website



SUPERIOR PLUS, TWIN & EURO STAINLESS STEEL STANDARD FINISH



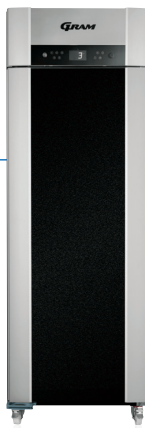
SUPERIOR PLUS, TWIN & EURO VARIO SILVER STANDARD FINISH



SUPERIOR PLUS, TWIN & EURO WHITE STANDARD FINISH



SUPERIOR PLUS, TWIN & EURO MATT BLACK SPECIAL FINISH



MIDI SERIES WITH BOTTOM-MOUNT COMPRESSOR

ECO MIDI
STAINLESS STEEL
STANDARD FINISH



ECO MIDI
VARIO SILVER
STANDARD FINISH



ECO MIDI
WHITE
STANDARD FINISH



ECO MIDI
GLASS DOOR CABINET
STAINLESS STEEL
OR WHITE FINISH



ECO MIDI
GLASS DOOR CABINET WITH
ILLUMINATED ADVERTISING DISPLAY PANEL
WHITE FINISH



ECO
PLUS, TWIN & EURO
STAINLESS STEEL
STANDARD FINISH



ECO
PLUS, TWIN & EURO
VARIO SILVER
STANDARD FINISH



ECO
PLUS, TWIN & EURO
WHITE
STANDARD FINISH



ECO
PLUS, TWIN & EURO
MATT BLACK
SPECIAL FINISH

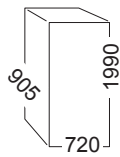
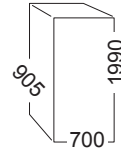


ECO
PLUS, TWIN & EURO
GLASS DOOR CABINET
STANDARD AND SPECIAL FINISH



ADAPTABLE TO YOUR NEEDS

SPECIFICATIONS OF THE NEW MODELS DEMONSTRATING FEATURES AND BENEFITS

	SUPERIORPLUS 72	ECOPLUS 70
Low energy consumption (tested to Ecodesign PR-EN 16825) Refrigerator, K and M model	285 kWh/year	328 kWh/year
Transparent top panel in impact resistant material	●	
Easy to clean hygienic surfaces	●	●
Control panel protected from splashes	●	●
Removable, modular shelf wall rails suitable for dishwasher cleaning	●	●
Available as remote model		●
Supplied as standard with	Legs or castors Insulated door (<i>K, M and F versions</i>) Right hand hinged reversible door with lock Self-closing door and pedal door opener LED lighting 4 stainless steel shelves Dry cooling and thawing function (<i>on the M-version of the refrigerator</i>)	Legs or castors Insulated door (<i>K, M and F versions</i>) or glass door (<i>KG versions</i>) Right hand hinged reversible door with lock Self-closing door and pedal door opener LED lighting 4 grey plastic-coated shelves Dry cooling and thawing function (<i>on the M-version of the refrigerator</i>)
Outside dimensions		
Legs, low = height + 100-135 mm Legs, high = height + 135-200 mm Castors = height + 110 mm		
Insulation thickness	80 mm	70 mm

CAPACITY AND CONSUMPTION

TECHNICAL DATA

		SUPERIORPLUS 72			ECOPLUS 70			
		Refrigerator		Freezer	Refrigerator			Freezer
Type		(K)	(M)	(F)	(K)	(KG)	(M)	(F)
Temperature range	°C	+2/+12	-5/+12	-25/-5	+2/+12	+2/+12	-5/+12	-25/-5
Net usable volume *	ltr.	458			458			
Volume, gross	ltr.	610			610			
Weight	kg	136			136			
Global warming potential GWP		3 (hydrocarbon refrigerants)						
Refrigeration capacity at -10°C	Watt	377		–	333			–
Refrigeration capacity at -25°C	Watt			490	–			490
Connection		230 V, 50Hz			230 V, 50Hz			
Connection load	Watt	181		379	248			379
Energy Efficiency Class (A-G) *		A		C	A	***	A	***
Energy consumption / year (AEC) *	kWh	285		1464	328	****	328	***
HFC-free refrigerant **		R 600a		R 290	R 600a			R 290
Climate class		5			5	4	5	

* In accordance with the Ecodesign Directive PR-EN 16825. ** R 600a = isobutane, R 290 = propane. Refrigerators and freezers are also available with HFC refrigerants at no extra cost. *** Information was not available at the time Gram reserves the right to make product alterations and cannot be held responsible for printing errors or omissions.

SUPERIORTWIN 84	ECOTWIN 82	SUPERIOREURO 62	ECOEURO 60
318 kWh/year	344 kWh/year	264 kWh/year	302 kWh/year
●		●	
●	●	●	●
●	●	●	●
●	●	●	●
●	●	●	●
Legs or castors Insulated door (K, M and F versions) Right hand hinged reversible door with lock Self-closing door and pedal door opener LED lighting 4 stainless steel shelves Dry cooling and thawing function (on the M-version of the refrigerator)	Legs or castors Insulated door (K, M and F versions) or glass door (KG versions) Right hand hinged reversible door with lock Self-closing door and pedal door opener LED lighting 4 grey plastic-coated shelves Dry cooling and thawing function (on the M-version of the refrigerator)	Legs or castors Insulated door (K, M and F versions) Right hand hinged reversible door with lock Self-closing door and pedal door opener LED lighting 4 stainless steel shelves Dry cooling and thawing function (on the M-version of the refrigerator)	Legs or castors Insulated door (K, M and F versions) or glass door (KG versions) Right hand hinged reversible door with lock Self-closing door and pedal door opener LED lighting 4 grey plastic-coated shelves Dry cooling and thawing function (on the M-version of the refrigerator)
80 mm	70 mm	80 mm	70 mm

SUPERIORTWIN 84			ECOTWIN 82				SUPERIOREURO 62			ECOEURO 60			
Refrigerator		Freezer	Refrigerator			Freezer	Refrigerator		Freezer	Refrigerator			Freezer
(K)	(M)	(F)	(K)	(KG)	(M)	(F)	(K)	(M)	(F)	(K)	(KG)	(M)	(F)
+2/+12	-5/+12	-25/-5	+2/+12	+2/+12	-5/+12	-25/-5	+2/+12	-5/+12	-25/-5	+2/+12	+2/+12	-5/+12	-25/-5
458			458				319			319			
614			614				465			465			
136			136				128			122			
3 (hydrocarbon refrigerants)						3 (hydrocarbon refrigerants)							
377		-	333			-	377		-	333	***	333	-
-		490	-			490	-		490	-			490
230 V, 50Hz			230 V, 50Hz				230 V, 50Hz			230 V, 50Hz			
181		379	248			379	181		381	248	***	248	379
A		C	A	***	A	***	A		***	A	***	A	***
318		1675	344	****	344	***	264		***	302	****	302	***
R 600a		R 290	R 600a			R 290	R 600a		R 290	R 600a			R 290
5			5	4	5		5			5	4	5	

ECOMIDI 82

ECOMIDI 60

328
kWh/year

270
kWh/year

-
-
-
-

-
-
-
-

Insulated door (K, M and F versions)
or glass door (KG and FG versions)

Insulated door (K, M and F versions)
or glass door (KG and FG versions)

Right hand hinged
reversible door with lock

Right hand hinged
reversible door with lock

Self-closing door

Self-closing door

LED lighting

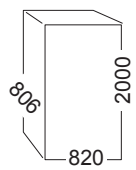
LED lighting

4 shelves

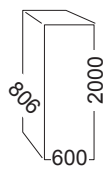
4 shelves

Dry cooling and thawing function
(on the M-version of the refrigerator)

Dry cooling and thawing function
(on the M-version of the refrigerator)



Height is total height including wheels.
ECO MIDI is not supplied with
castors or legs as standard.



Height is total height including wheels.
ECO MIDI is not supplied with
castors or legs as standard.

70 mm

70 mm

ECOMIDI 82

ECOMIDI 60

Refrigerator			Freezer		Refrigerator			Freezer	
(K)	(KG)	(M)	(F)	(FG)	(K)	(KG)	(M)	(F)	(FG)
+2/+12	+2/+12	-5/+12	-25/-5	-20/-5	+2/+12	+2/+12	-5/+12	-25/-5	-20/-5
456					302				
603					407				
***					***				
3 (hydrocarbon refrigerants)									
333	333	333	-	-	275	333	275	-	-
-	-	-	499	724	-	-	-	499	499
230 V, 50Hz					230 V, 50Hz				
224	260	224	388	751	129	240	129	386	568
A	***	A	C	***	A	***	A	C	***
328	****	328	1807	****	270	****	270	1473	****
R 290					R 600a	R 290	R 600a	R 290	
5	4	5	5	4	5	4	5	5	4





HOSHIZAKI

GRAM

UK Office

2 The Technology Centre
London Road
Swanley
Kent BR8 7AG
United Kingdom

T: +44 (0)845 456 0585
F: +44 (0)132 283 8331
uksales@hoshizaki.co.uk
www.hoshizaki.co.uk

T: +44 (0)132 261 6900
F: +44 (0)132 261 6901
info@gramuk.co.uk
www.gram-commercial.com

Hoshizaki Europe B.V. Headquarters

Keienbergweg 50 C/D · 1101 GC Amsterdam · The Netherlands
T: +31 (0)20 6918499 · F: +31 (0)20 6918768
www.hoshizaki-europe.com · www.gram-commercial.com