



# VEGETABLE PREPARATION MACHINE CA-301

Commercial vegetable preparation machine with an hourly output of up to 450 Kg.



## FEATURES AND BENEFITS

- ✓ Stainless steel construction and highest quality material, all suitable for contact with food.
- ✓ New production technology that gives a uniform, high-quality cutting result.
- ✓ Ergonomic design: product is sliced/cut/shredded in one single movement.
- ✓ The large range of high quality discs and grids allows the operator to obtain over 70 different styles of product. Discs are not included.
- ✓ Lateral product ejection, reducing the amount of counter space required, whilst also minimising product splashing.
- ✓ This directs the product avoiding splashing.
- ✓ Electronic, user-friendly control board.
- ✓ Easily removable lever and lid for cleaning purposes.
- ✓ NSF-International certified appliance (complying with Hygiene, Cleaning and Food Material regulations).

## INCLUDES

- ✓ 1 speed motor block.
- ✓ Regular hopper.

## SALES DESCRIPTION

1 speed motor block and a universal attachment.

DYNAMIC PREPARATION  
COMMERCIAL VEGETABLE PREPARATION MACHINES



**www.sammic.co.uk**  
**Food Service Equipment Manufacturer**  
 Unit 2, Trevanth Road  
 Troon Industrial Park  
 LE4 9LS - Leicester  
**uksales@sammic.com**  
**Tel.: +44 0116 246 1900**



Project	Date
Item	Qty
Approved	

product sheet  
updated 06/03/2018



# VEGETABLE PREPARATION MACHINE CA-301

Commercial vegetable preparation machine with an hourly output of up to 450 Kg.



## SPECIFICATIONS

Hourly production: 150 Kg - 450 Kg

Inlet opening: 136 cm<sup>2</sup>

Disc diameter: 205 mm

Motor speed: 365 rpm

### Loading

Single Phase: 550 W

Three phase: 370 W

Noise level (1m.): 70 dB(A)

Background noise: 32 dB(A)

### External dimensions (WxDxH)

Width: 389 mm

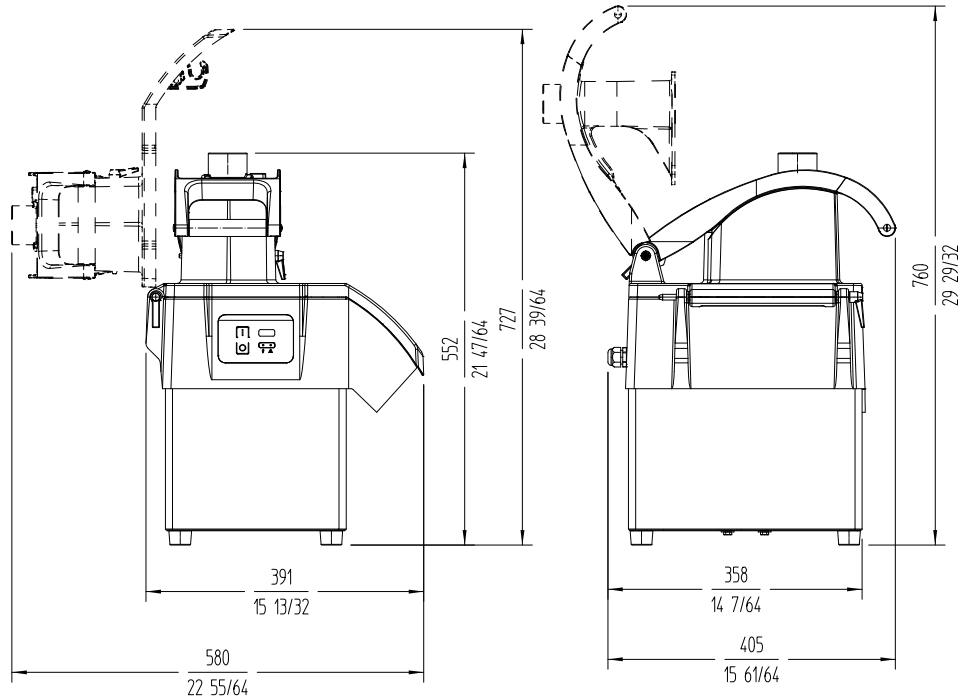
Depth: 405 mm

Height: 544 mm

Net weight: 21 Kg

### Crated dimensions

435 x 430 x 600 mm



## AVAILABLE MODELS

1050301 Vegetable preparation machine CA-301 230-400/50/3N

1050021 Vegetable preparation machine CA-301 230/50/1

\* Ask for special versions availability

## ACCESSORIES

- FC Slicing Disc
- FCC Curved Slicing Discs
- FCO Rippled Slicing Discs
- FFC Chipping Grids
- FMC Dicing Grids
- FCE Julienne Discs
- FR Shredding & Grating Discs
- Long vegetable attachment
- Universal hopper
- Disc and Grid Holder Device
- Grid Cleaning Kit

DYNAMIC PREPARATION  
COMMERCIAL VEGETABLE PREPARATION MACHINES



[www.sammic.co.uk](http://www.sammic.co.uk)

Food Service Equipment Manufacturer

Unit 2, Trevanah Road  
Troon Industrial Park  
LE4 9LS - Leicester

[uksales@sammic.com](mailto:uksales@sammic.com)  
Tel.: +44 0116 246 1900



Project

Date

Item

Qty

Approved

product sheet  
updated 06/03/2018