



P8P6 - Panther 800  
Series Free-standing Hot  
Cupboard - Plain Top - W  
2205 mm - 2.5 kW

Helping to cater in demanding environments such as cafeterias, canteens and restaurants, the Panther 800 Series Hot Cupboard is perfect for plating and garnishing and as a pass to front of house staff, while it also provides extra workspace or can be used as a mobile workstation.

- ✔ Helping to cater in demanding environments such as cafeterias, canteens and restaurants
- ✔ Fan assisted hot cupboard provides even heat distribution, fast heat up and recovery times, and lower energy usage. Four shelf positions allow adjustment to meet individual needs.
- ✔ Fully 1/1 GN compatible hot cupboard for operational efficiency. Units available to take 6 x 1/1 GN containers up to 150mm deep.
- ✔ Accurate digital electronic control of the hot cupboard temperature, adjustable between 20 and 99 degrees C, ensures compliance with food hygiene regulations
- ✔ Double skinned construction provides efficient heat retention and a cool to touch exterior - safe and energy efficient. Removable doors and shelves allow access to the fully stainless steel interior for easy cleaning
- ✔ Supplied with two heavy duty multi-section chrome plated rod shelves capable of taking the heaviest loads

**Specifications**

Summary		Power and Performance	
<b>Range Name</b>	Panther	<b>Total Power kW</b>	2.5
<b>Power Type</b>	Electric	<b>Temperature Range °C</b>	20 - 99
<b>Unit Type</b>	Free-standing	<b>IP Rating</b>	IP24
<b>Available in UK Only</b>	No	<b>Plate Capacity</b>	556
<b>UK Warranty</b>	2 Years Parts and Labour Warranty	<b>Temperature Control</b>	Electronic
<b>Export Warranty</b>	Contact your local dealer		
<b>GTIN Code</b>	5056105103615		

Key Specifications		Weights and Dimensions	
<b>Number of Shelves included</b>	2	<b>Unit Height (External) mm</b>	900
<b>Number of Shelf Positions</b>	4	<b>Unit Width (External) mm</b>	2180
<b>Heated Base</b>	Yes	<b>Unit Depth (External) mm</b>	850
<b>Heated Gantry</b>	No	<b>Height (Internal) mm</b>	432
<b>Static or Mobile</b>	Mobile	<b>Width (Internal) mm</b>	1995
		<b>Depth (Internal) mm</b>	512
		<b>Shelf Dimensions Width mm</b>	1929
		<b>Shelf Dimensions Depth mm</b>	512
		<b>Net Weight Kg</b>	197

### Supply Connections

Requires Installation	No
Requires Electrical Supply	Yes
UK 3 Pin Plug	Yes
Requires Hardwiring	No
Electrical Supply Rating Watts	2,500
Single Phase Amps	10.9
Single Phase Voltage	230

### Shipping

Packed Weight Kg	213
Packed Height cm	110
Packed Width cm	222
Packed Depth cm	90

### Available Options

#### Overshelf or Gantry

PS6A1	PS6A1 - 1 Ambient Overshelf
PS6A2	PS6A2 - 2 Ambient Overshelves
PS6A3	PS6A3 - 3 Ambient Overshelves
PS6H1	PS6H1 - 1 Heated Overshelf
PS6H2	PS6H2 - 2 Heated Overshelves
PS6H3	PS6H3 - 3 Heated Overshelves

#### Door Locks

PDL6	PDL6 - Lockable Door
------	----------------------

#### Corner Guards

PCG	PCG - Corner Guards [Set of Four]
-----	-----------------------------------

#### Trayslides

PTS6	PTS6 - Tray Slide
------	-------------------

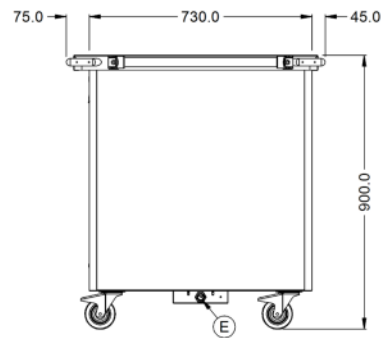
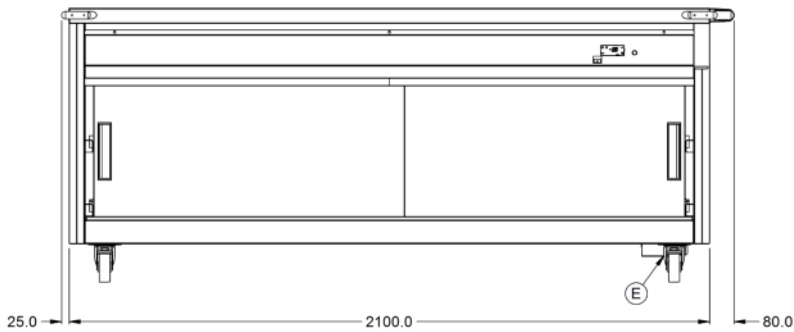
#### Legs/Castors

PLK	PLK - Legs [non chargeable]
-----	-----------------------------

### Available Accessories

PLK/S	PANTHER LEG KIT FOR CONVERSION IN THE FIELD
-------	---

### Technical Picture



**Lincat Limited**

Whisby Road,  
Lincoln, LN6 3QZ,  
United Kingdom

**Company No:** 2175448

A member company of



**Customer Care**

**Tel:** +44 1522 875500  
**Email:** care@lincat.co.uk

**Export Customers**

**Tel:** +44 1522 503250  
**Email:** export@lincat.co.uk

**Opening Hours**

**Monday – Friday:**  
8.30am – 5pm