

## Guarantee registration

Appliance model

Serial no.

Date of purchase

Customer name

Address

Please help us improve our products in the future by identifying the main reason for purchase:

Price  Styling/Appearance Features  Previous Burco ownership Dealer recommendation  Service back-up 

Other (please state)

Where did you buy your Burco appliance?

Dealer/Retailer:

Would you like further information on the Burco product range?

Yes No 

## Replacement parts

- IMPORTANT: This product has no 'user' serviceable parts.
- IMPORTANT: Genuine replacement Burco parts must only be fitted by a qualified service engineer. If generic non-Burco parts are fitted you may stop your electric grill operating safely and in the most efficient manner and may invalidate your warranty.

### Helpline 0871 222 2620

- If you have any difficulty with your appliance please refer to the troubleshooting section of this instruction book. If after consultation of this information you are still having problems please do not hesitate to contact us.
- When calling the helpline please ensure you have the following information to hand, so that we can deal with your query quickly and efficiently.



For electrical products sold within the European Community. At the end of the electrical products useful life it should not be disposed of with household waste. Please recycle where facilities exist. Check with your Local Authority or retailer for recycling advice in your country.

Burco products are intended for commercial use as detailed in these instructions. Burco has a policy of continuous improvement in product quality and design. The Company, therefore, reserves the right to change the specification of its models at any time.

### Burco Commercial Catering Equipment

Glen Dimplex Professional Appliances  
Stoney Lane, Prescot, Merseyside L35 2XW  
Tel 0871 222 5118 Fax 0871 222 9636  
Email info@gdpa.co.uk

- Name of the product
- Model Number and Serial Number as shown on the underside of the appliance.

## Guarantee

- This appliance is guaranteed for a period of 12 months from the date of purchase against defective materials or faulty workmanship.
- This guarantee is given subject to the appliance being used in accordance with the instructions, on the supply voltage marked on it and to the usual fair wear and tear conditions.
- The guarantee does not cover consequential damage arising out of any failure acceptable under guarantee, nor does it cover damage resulting from misuse, accident or unauthorised alterations to the appliance.
- In any communication with the supplier, manufacturer or service department, it is essential to quote the serial number marked on the appliance. Proof of purchase will be required.
- This guarantee, in no way diminishes the buyer's statutory rights.
- Please fill in and return the tear off section to register the guarantee with Burco.

# BURCO

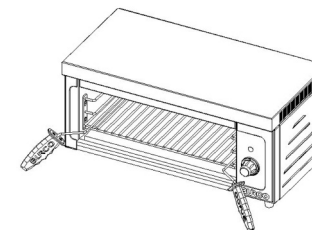
## Commercial electric grills



Please read and keep these instructions

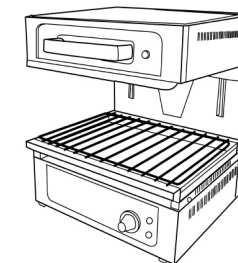
### Light Duty Grill

H: 340mm  
W: 570mm  
D: 260mm  
Weight: 15kg  
Model no. 77011  
SKU 444448736



### Commercial Rise & Fall Grill

H: 450mm  
W: 450mm  
D: 470mm  
Weight: 39kg  
Model no. 77012  
SKU 444448737



## Getting the best from your electric grill...

- Remove any plastic film from the commercial electric grill before use.
- The electric grill must be used on a flat level surface.
- The electric grill will become hot when in use, care should be taken when using it.



# BURCO



www.burco.co.uk

77011/77012 MUK Rev 3 06/08

CUT HERE & DETACH

## Important safety instructions

- The use of any electrical appliance requires the following common sense safety rules.
- Primarily there is danger of injury or death and secondly the danger of damage to the appliance. These are indicated in the text by the following two conventions:
- **WARNING: Danger to the person!**
- **IMPORTANT:** Damage to the appliance!
- In addition we offer the following safety advice.
- This appliance is not intended for use by persons (including children) with reduced physical, sensory or mental capabilities, or lack of experience and knowledge, unless they have been given supervision or instruction concerning use of the appliance by a person responsible for their safety.

When mounting wall brackets for the light duty grill, please consider the following:-

- Only use mounting brackets provided with the appliance.
- Before mounting the product, make sure that the wall is sound and will take the weight of the grill including when it is in use
- Ensure fixings used are adequate to support the product weight.
- Take care when drilling walls and ensure there are no pipes or cables beneath the wall surface

### Location

- Ensure the appliance is used on a firm, flat surface.
- Do not use the appliance outdoors.

2

- **WARNING – During installation: do not place on surfaces or near walls, partitions or kitchen furniture and the like – unless they are made of non-combustible material or clad with non combustible material and pay attention to fire prevention regulations.**

- Do not place the appliance on or near hot surfaces such as a hob or radiant rings or near a naked flame.

### Other safety considerations

- Disconnect the appliance from the mains supply when cleaning or not in use.
- Keep the outside of the electric grills area clean and dry at all times.
- Do not touch hot surfaces. Always use handles or knobs.
- Do not immerse the appliance in water or other liquid and always ensure the electrical connections are kept dry.
- Do not operate any appliance with a damaged cord or plug or after the appliance malfunctions or has been damaged in any manner. Ring the helpline number for advice on examination and repair.
- The use of attachments or tools not recommended or sold by Burco Appliances may cause fire, electric shock or injury.
- Do not use abrasive cleaners on the outside of the electric grills, they may scratch the surface. Clean only with a soft damp cloth.
- Do not use the appliance for anything other than its intended purpose.
- Do not leave appliance unattended whilst in use.
- This appliance is not intended for use of persons (including children) with reduced physical, sensory or mental capabilities, or lack of experience and

knowledge, unless they have been given supervision or instruction concerning use of the application by a person responsible for their safety.

### Children

- Children should be supervised to ensure that they do not play with the appliance.

### Product safety

- Do not leave cooking grid protruding out of front of unit while not attended.
- Always turn unit off after use.
- Always empty and clean the fat collection tray after use.

## Cleaning

- **WARNING: Disconnect from the electricity supply before cleaning and allow the electric grill to cool.**
- **IMPORTANT:** Do not immerse the electric grill in water or any other liquids and take care to keep water from the mains lead and connections.
- **IMPORTANT:** Do not use abrasive or chlorine based cleaners on any part of your electric grill as this could scratch the surface of your electric grill.

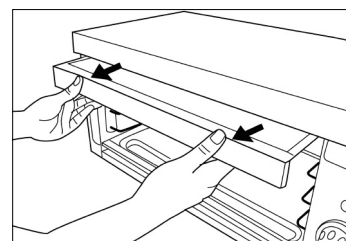
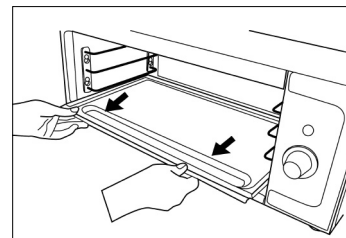
#### External cleaning guidelines

- To clean wipe the outside electric grill with a damp cloth. Stubborn stains may be removed using a good stainless steel or non-abrasive cleaner.
- Hard to reach areas should be cleaned using a small bristle brush and mild cleaner.
- This appliance is not to be cleaned with a water jet.

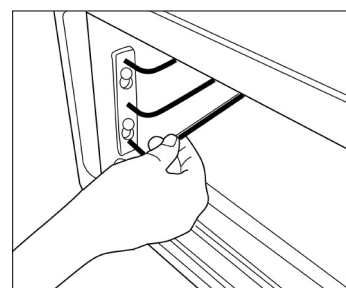
#### Internal cleaning guidelines

- Cooking grid fat collection tray and splash guard can be easily removed for cleaning. It is recommended that this is done after each service period.

- **WARNING: Always wait for fat in the fat collection tray to cool down before emptying.**
- These parts should be cleaned using hot water and detergent.



- The budgie rack can also be removed for cleaning by pushing upwards and pulling away from the inside of the grill. A screw driver may be required to loosen the screws to enable you to do this.
- **WARNING: Check power supply is disconnected before putting the screw driver or any other metal objects into the cooking cavity.**



Marketing Department  
Burco Appliances Ltd  
Talbot Road  
Mexborough  
South Yorkshire  
S64 8AJ

Affix  
postage  
stamp  
here

7

## Treating scalds

- Run cold water over the affected area immediately. Do not stop to remove clothing, seek medical advice immediately.

## Personal safety

- Ensure that grill handles are fixed into place before use (77011 only).
- Ensure grill tray is located on guide rails before placing food on cooking grid.
- Do not place hands or objects other than the cooking grid and food into the cavity.
- Do not touch metal parts until the unit has cooled

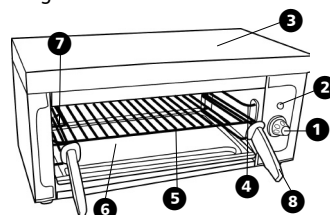
## Electrical requirements

- Check that the voltage on the rating plate of your appliance corresponds with your house electricity supply which must be A.C. (Alternating Current).
- If the socket outlets in your home are not suitable for the plug supplied with this appliance the plug should be removed and the appropriate one fitted.
- **WARNING: The plug removed from the mains lead, if severed, must be destroyed as a plug with a bared flexible cord is hazardous if engaged into a live socket outlet.**
- Should the fuse in the 13 amp plug require changing, a 13 amp BS1362 fuse must be fitted.
- **WARNING: This appliance must be earthed.**

## Features

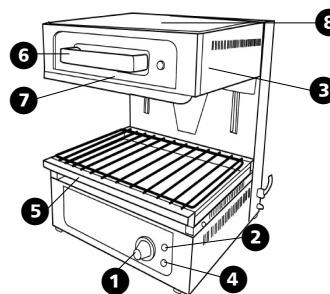
### Light Duty Grill

- 1 Variable temperature control dial
- 2 Green power on indicator neon
- 3 Element supports (x2 – inside top)
- 4 Removable, click-lock cooking grid supports
- 5 Removable, self supporting cooking grid
- 6 Angled, slide out fat collection tray
- 7 Removable splash guard, above element
- 8 Ergonomically designed cooking grid handles



### Rise and Fall Grill

- 1 Variable temperature control dial
- 2 Green power on indicator neon
- 3 Element supports (x2)
- 4 Amber temperature indicator neon
- 5 Slide out fat collection tray
- 6 Easy to lift handle, with ergonomically designed hand guard
- 7 Removable front panel
- 8 Cooking hood



## Light & Duty Grill

### Before first use

- 1 Remove any plastic film from the electric grill and wipe over all surfaces with a clean cloth.
- 2 Using the fixable feet ensure that the grill is sitting flat and level on your work surface.
- 3 Check that the voltage on the rating plate of your appliance corresponds with your electricity supply which must be A.C (Alternating Current).
- 4 It is recommended that the grill is heated up to full temperature and then left to cool down before first use.

#### Check list before use

Before you start, check the product includes :

- Removable cooking grid
- Angled fat collection drip tray
- Cooking grid handles (attach using a screw driver).

## Using

**IMPORTANT:** Always ensure that none of the air vents are covered before using this product.

## Operating

- 1 Switch on the power to your light duty grill. The green power on indicator will illuminate. The Green light will remain illuminated whilst the unit is on.
- 2 The grill temperature can be adjusted using the heat control dial
- 3 Food must be placed for cooking on the self supporting cooking grid

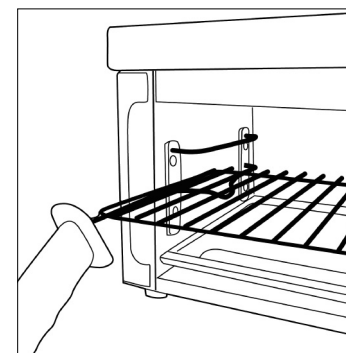
## The cooking grid

### Using the self supporting feature

- The cooking grid can be pulled half way out, making it easier to turn and place food items at the back of the grid.

### Removing the cooking grid

- 1 Pull the rack out until it stops and then push back slightly, lift the whole rack up and pull forward.
- 2 **WARNING: Before using the electric grill ensure that the cooking grid has been inserted into the grill cavity correctly. If it has not, the self stopping mechanism and anti-tilt fixtures may fail to work.**



## Rise & Fall Grill

### Before first use

- 1 Remove any plastic film from the electric grill and wipe over all surfaces with a clean cloth.
- 2 Check that the voltage on the rating plate of your appliance corresponds with your electricity supply which must be A.C (Alternating Current).
- 3 It is recommended that the grill is heated up to full temperature and then left to cool down before first use.

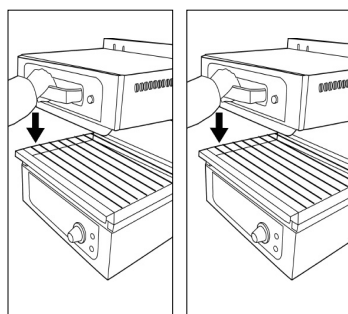
#### Check list before use

Before starting product includes:

- Removable fat collection tray
- Cooking grid

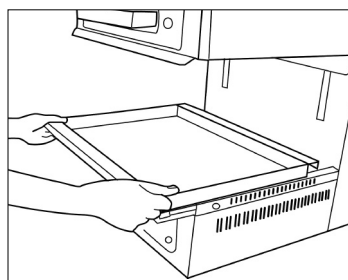
## Operating

- 1 Switch on the power to your light duty grill. The green power on indicator will illuminate. The Green light will remain illuminated whilst the unit is on.
- 2 The grill temperature can be adjusted using the heat control dial
- 3 When the grill temperature has reached the instructed, desired temperature the amber light will go out indicating that the grill is ready to cook food.
- 4 Adjust the top element to the desired position using the safety handle, to grill food



## After use

- **IMPORTANT:** When you have finished using your electric grill ensure that the power is switched off. This minimizes the consumption of energy for ensures greater efficiency and also prevents non-users from burning themselves if they touch the unit.
- **WARNING: Wait till the fat collection tray has cooled down before removing.**



## Troubleshooting

### Light Duty Grill

- **Issue:** The green power neon is not illuminated.
- **Action:** Check the electricity supply to the unit.
- **Issue:** The cooking grid cannot be removed.
- **Action:** See guidelines above on removing the self supporting cooling grid.
- **Issue:** The grill is not heating up.
- **Action:** Check the heat control dial has not been changed. If not ensure the unit is on, remove the cooking grid, stand 50cm back from the unit, bend and carefully look back up into the top of the cavity keeping at a distance. If you cannot see the elements glowing amber, turn unit off and contact the Burco helpline. If the elements are amber leave the grill for longer to heat up or adjust the temperature setting

### Rise and Fall Grill

- **Issue:** The green power neon is not illuminated.
- **Action:** Check the electricity supply to the unit.
- **Issue:** The green power on indicator neon will not go off
- **Action:** The green power neon can only be turned off by isolating the unit from your power supply. Whilst the unit is connected the green neon will be illuminated.
- **Issue:** The cooking grid cannot be removed.
- **Action:** See guidelines above on removing the self supporting cooking grid.
- **Issue:** The grill is not heating up.

- **Action:** Check the heat control dial has not been changed. If not ensure the unit is on, remove the cooking grid, stand 50cm back from the unit, bend and carefully look back up into the top of the cavity keeping at a distance. If you cannot see the elements glowing amber, turn unit off and connect the Burco helpline. If the elements are amber leave the grill for longer to heat up or adjust the temperature setting.
- **Issue:** The cooking hood is too far away from the dish, which the food is to be cooked in
- **Action:** The cooking hood can be pulled down to the required height. Similarly it can be pushed up if a dish is too tall to fit in the cooking cavity.

## Spares

### Light Duty Grill

Element	082634074
Handles	082634075
Control Knob	082634076
Energy Regulator	082634077
Cooking Grid	082634078
Cooking Grid Handles	082634079

### Rise and Fall Grill

Element	082634080
Handles	082634081
Control Knob	082634082
Energy Regulator	082634083
Cooking Grid	082634084