



CUBE ICE DISPENSER  
DISTRIBUTEUR DE GLAÇONS  
EISWÜRFELDISPENSER  
IJSBLOKJESMACHINE  
DISPENSADOR DE CUBITOS DE HIELO  
DISTRIBUTORE DI GHIACCIO IN CUBETTI

## **INSTRUCTION MANUAL**

(original instructions)

## **NOTICE D'UTILISATION**

(instructions traduites)

## **BEDIENUNGSANLEITUNG**

(Übersetzung)

## **GEBRUIKSAANWIJZING**

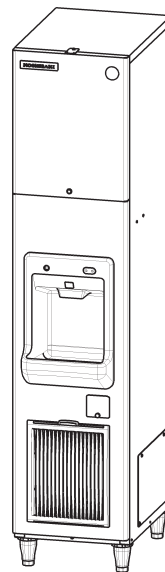
(vertaalde instructies)

## **MANUAL DE INSTRUCCIONES**

(instrucciones traducidas)

## **MANUALE D'ISTRUZIONI**

(traduzione)



**DIM-30DE-1**  
**DIM-30DE-2**

**HOSHIZAKI EUROPE LIMITED**

Telford 70 Stafford Park 7, Telford, Shropshire TF3 3BQ UK

L1E2HA203 (111516)

<b>ENGLISH</b>	IMPORTANT SAFETY INFORMATION .....	1
	I. INSTALLATION INSTRUCTIONS .....	3
	1. CONSTRUCTION .....	3
	2. ACCESSORIES .....	3
	3. UNPACKING.....	3
	4. LOCATION.....	4
	5. INSTALLATION.....	4
	6. ELECTRICAL CONNECTIONS .....	5
	7. WATER SUPPLY AND DRAIN CONNECTIONS.....	6
	II. OPERATING INSTRUCTIONS.....	7
	1. START UP .....	7
	2. ICE DISPENSING.....	7
	3. PREPARING THE ICE DISPENSER FOR LONG STORAGE.....	7
	III. MAINTENANCE.....	8
	1. CLEANING.....	8
	2. BEFORE CALLING FOR SERVICE.....	8
	3. DISPOSAL .....	9
	4. WARRANTY.....	9
	SPECIFICATIONS.....	10
<b>FRANCAIS</b>	INFORMATIONS DE SECURITE IMPORTANTES.....	11
	I. CONSIGNES D'INSTALLATION .....	13
	1. CONSTRUCTION .....	13
	2. ACCESSOIRES .....	13
	3. DEBALLAGE.....	13
	4. EMBLACEMENT.....	14
	5. INSTALLATION.....	14
	6. BRANCHEMENTS ELECTRIQUES.....	15
	7. BRANCHEMENTS D'ARRIVEE ET DE VIDANGE D'EAU .....	16
	II. CONSIGNES D'UTILISATION.....	17
	1. MISE EN MARCHÉ.....	17
	2. DISTRIBUTION DE GLAÇONS .....	17
	3. PREPARATION DU DISTRIBUTEUR DE GLAÇONS EN VUE D'UN ENTREPOSAGE DE LONGUE DUREE .....	18
	III. ENTRETIEN .....	19
	1. NETTOYAGE.....	19
	2. AVANT D'APPELER UN REPARATEUR .....	19
	3. MISE AU REBUT .....	20
	4. GARANTIE.....	20
	SPECIFICATIONS.....	21
<b>DEUTSCH</b>	WICHTIGE SICHERHEITSHINWEISE.....	22
	I. INSTALLATIONSANLEITUNG .....	24
	1. KONSTRUKTION.....	24
	2. ZUBEHÖR.....	24
	3. AUSPACKEN .....	24
	4. AUFSTELLORT .....	25
	5. INSTALLATION.....	25
	6. ELEKTRISCHE ANSCHLÜSSE.....	26
	7. WASSERZULAUF- UND WASSERABFLUSSANSCHLÜSSE .....	27
	II. BEDIENUNGSANLEITUNG .....	29
	1. INBETRIEBNAHME .....	29
	2. EISAUSGABE .....	29
	3. MASSNAHMEN FÜR DIE LANGFRISTIGE LAGERUNG DES EISDISPENSERS .....	30
	III. WARTUNG .....	31
	1. REINIGUNG.....	31
	2. VOR ANRUF DES KUNDENDIENSTES .....	31
	3. ENTSORGUNG .....	32
	4. GEWÄHRLEISTUNG.....	32
	TECHNISCHE DATEN .....	33

<b>NEDERLANDS</b>	BELANGRIJKE VEILIGHEIDSINFORMATIE .....	34
	I. INSTALLATIE-INSTRUCTIES .....	36
	1. CONSTRUCTIE .....	36
	2. TOEBEHOREN .....	36
	3. UITPAKKEN .....	36
	4. PLAATSING .....	37
	5. INSTALLATIE .....	38
	6. ELEKTRISCHE AANSLUITINGEN .....	38
	7. AANSLUITING VAN WATERTOEOVOER- EN WATERAFVOERLEIDINGEN .....	39
	II. BEDIENINGSINSTRUCTIES .....	41
	1. OPSTARTEN .....	41
	2. IJSAFGIFTE .....	41
	3. DE IJSMACHINE GEREEDMAKEN VOOR LANGDURIGE OPSLAG .....	42
	III. ONDERHOUD .....	43
	1. REINIGING .....	43
	2. VOORDAT U BELT VOOR SERVICE .....	43
	3. VERWIJDERING .....	44
	4. GARANTIE .....	44
	SPECIFICATIES .....	45
<b>ESPAÑOL</b>	INFORMACIÓN IMPORTANTE DE SEGURIDAD .....	46
	I. INSTRUCCIONES DE INSTALACIÓN .....	48
	1. ESTRUCTURA .....	48
	2. ACCESORIOS .....	48
	3. DESEMBALAJE .....	48
	4. UBICACIÓN .....	49
	5. INSTALACIÓN .....	50
	6. CONEXIONES ELÉCTRICAS .....	50
	7. SUMINISTRO DE AGUA Y CONEXIONES DE DRENAJE .....	51
	II. INSTRUCCIONES DE UTILIZACIÓN .....	53
	1. PUESTA EN MARCHA .....	53
	2. DISPENSACIÓN DE HIELO .....	53
	3. PREPARACIÓN DEL DISPENSADOR DE HIELO PARA UN ALMACENAMIENTO PROLONGADO .....	54
	III. MANTENIMIENTO .....	55
	1. LIMPIEZA .....	55
	2. ANTES DE LLAMAR AL SERVICIO TÉCNICO .....	55
	3. ELIMINACIÓN .....	56
	4. GARANTÍA .....	56
	ESPECIFICACIONES .....	57
<b>ITALIANO</b>	INFORMAZIONI IMPORTANTI SULLA SICUREZZA .....	58
	I. ISTRUZIONI PER L'INSTALLAZIONE .....	60
	1. COMPONENTI .....	60
	2. ACCESSORI .....	60
	3. DISIMBALLAGGIO .....	60
	4. UBICAZIONE .....	61
	5. INSTALLAZIONE .....	62
	6. COLLEGAMENTI ELETTRICI .....	62
	7. COLLEGAMENTO ALL'APPROVVIGIONAMENTO DELL'ACQUA E COLLEGAMENTO DI SCARICO .....	63
	II. ISTRUZIONI DI FUNZIONAMENTO .....	65
	1. AVVIO .....	65
	2. PRODUZIONE DI CUBETTI .....	65
	3. PREPARAZIONE DELLA MACCHINA PER IL RIMESSAGGIO PROLUNGATO .....	66
	III. MANUTENZIONE .....	67
	1. PULIZIA .....	67
	2. PRIMA DI RIVOLGERSI ALL'ASSISTENZA .....	67
	3. SMALTIMENTO .....	68
	4. GARANZIA .....	68
	SPECIFICHE .....	69

**IMPORTANT SAFETY INFORMATION**

Throughout this manual, notices appear to bring your attention to situations which could result in death, serious injury, or damage to the unit.

<b>▲WARNING</b>	Indicates a hazardous situation which, if not avoided, could result in death or serious injury.
<b>▲CAUTION</b>	Indicates a hazardous situation which, if not avoided, could result in minor or moderate injury.
<b>NOTICE</b>	Indicates a hazardous situation which, if not avoided, could result in damage to the unit.
<b>▲HYGIENE</b>	Indicates important precautions for hygiene and food safety.
<b>IMPORTANT</b>	Indicates important information about the use and care of the unit.

<b>IMPORTANT</b>	
This booklet is an integral and essential part of the product and should be kept and preserved by the user.	
Please read carefully the guidelines and warnings contained herein as they are intended to provide the installer/user with essential information for the proper installation and the continued safe use and maintenance of the product.	
Please preserve this booklet for any further consultation that may be necessary.	

<b>▲WARNING</b>	
This is a commercial ice dispenser, and should be destined only to be used for the purpose for which it has been expressly designed. Any other use should be considered improper and therefore dangerous. The manufacturer will not be held liable or responsible for any damage caused by improper, incorrect and unreasonable use.	
<b>The installation, and relocation if necessary, must be carried out by qualified personnel, in accordance with current regulations, according to the manufacturer's instructions.</b>	
Keep ventilation openings, in the appliance enclosure or in the built-in structure, clear of obstruction.	

# ENGLISH

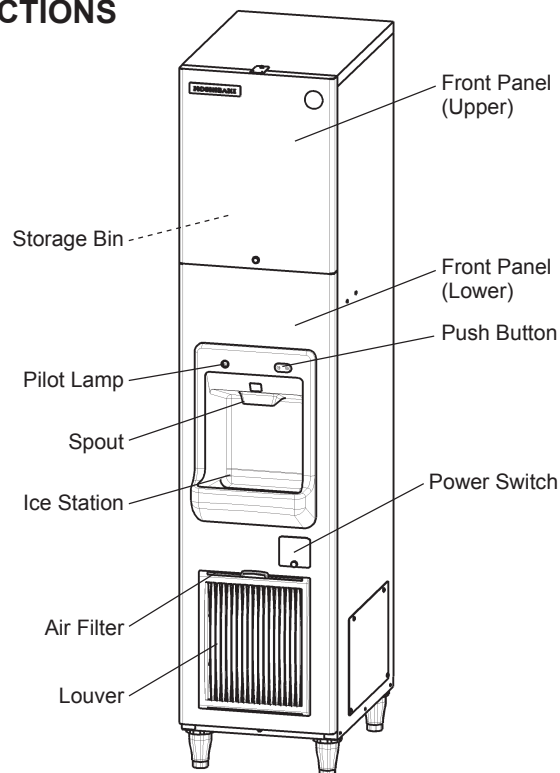
---

The use of any electrical appliance involves the observance of some fundamental rules. In particular:

- \* Instances of high humidity and moisture increase the risk of electrical short circuits and potential electrical shocks. If in doubt, disconnect the ice dispenser.
- \* Do not damage the power cord or pull it in order to disconnect the ice dispenser from the electrical supply network.
- \* If the supply cord is damaged, it must be replaced by a replacement cord which is available from Hoshizaki Parts/Service Centres.
- \* Do not touch the electrical parts or operate the switches with damp hands.
- \* This appliance is not intended for use by persons (including children) with reduced physical, sensory or mental capabilities, or lack of experience and knowledge, it can however be used by children aged from 8 years and above and persons with reduced physical, sensory or mental capabilities, or lack of experience and knowledge providing they have been given supervision or instruction concerning use of the appliance by a person responsible for their safety.
- \* Children shall not play with the appliance.
- \* Cleaning and user maintenance shall not be made by children without supervision.
- \* Do not attempt to modify the ice dispenser. Only qualified personnel may disassemble or repair the appliance.

## I. INSTALLATION INSTRUCTIONS

### 1. CONSTRUCTION

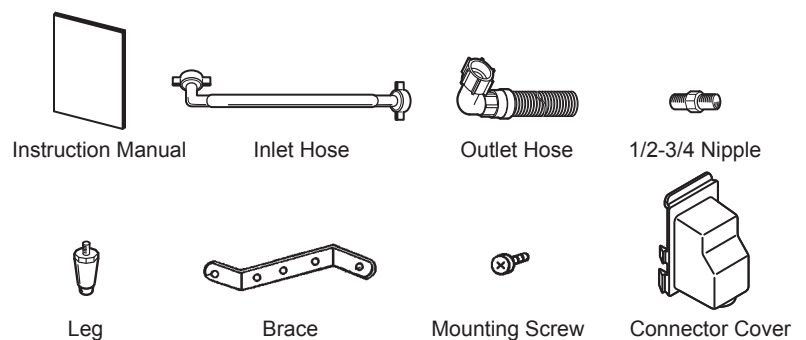


### IMPORTANT

Do not remove any service panel secured with screws. Access to the service area is restricted to persons having knowledge and practical experience of the appliance, in particular as far as safety and hygiene are concerned.

### 2. ACCESSORIES

	DIM-30DE-1	DIM-30DE-2
Instruction Manual	1	1
Inlet Hose	1	1
Outlet Hose	1	1
1/2-3/4 Nipple	1	1
Leg	4	4
Brace	2	2
Mounting Screw	2	2
Connector Cover	0	1



### 3. UNPACKING

#### ⚠ WARNING

Children should not be allowed in reach of the packaging elements (plastic bags and expanded polystyrene) as they are potential sources of danger.

#### ⚠ CAUTION

Do not lift or manoeuvre the carton by using the shipping bands.

When moving the unit by hand, observe local/national regulations and hold the unit from its base during lifting.

Always wear protective gloves when carrying the unit.

When handling the carton or the unpacked unit, work in pairs to prevent injury.

# ENGLISH

## NOTICE

Remove shipping carton, tape(s) and packing. If packing material is left in the ice dispenser, it will not work properly.

- 1) After removing the packaging, make sure that the ice dispenser is in good condition. If in doubt, please do not use the ice dispenser and contact a professionally qualified person.
- 2) Remove the protective plastic film from the exterior. If the ice dispenser is exposed to the sun or to heat, remove the film after the ice dispenser cools.
- 3) Remove the package containing the accessories. Check the contents according to "2. ACCESSORIES".

## 4. LOCATION

### ⚠WARNING

This ice dispenser is not intended for outdoor use.

The ice dispenser should not be located next to ovens, grills or other high heat producing equipment.

This appliance is not suitable for installation in an area where a water jet could be used.

To avoid a hazard due to instability of the appliance, the location should provide a firm and level foundation for the ice dispenser.

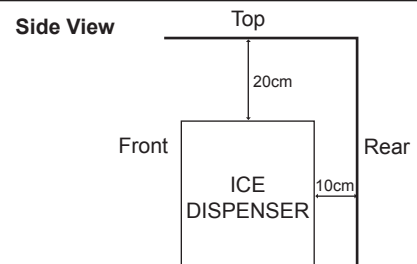
### NOTICE

Do not place anything on top of the ice dispenser or in front of the louver.

### IMPORTANT

The recommended operating ambient temperature is within 1°C to 40°C. But this ice dispenser is capable of operating at 43°C. Water connection is cold water only. Operation of the ice dispenser, for extended periods, outside of these normal temperature ranges may affect production capacity.

Allow the clearance specified below for proper air circulation and ease of maintenance and/or service should they be required.



In some high humidity environments, condensation may form inside the machine and drip onto the floor. Do not install where the floor can be affected by water.

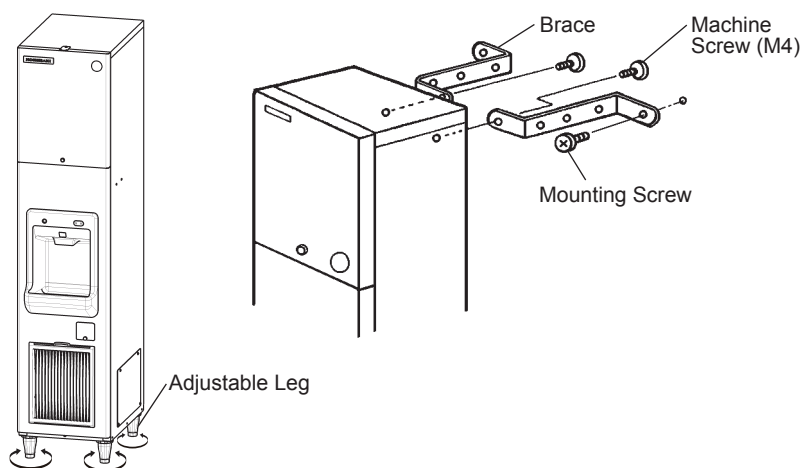
## 5. INSTALLATION

### ⚠CAUTION

Incorrect installation can cause harm to people, animals or other items, for which the manufacturer cannot be held responsible.

- \* Place the ice dispenser in the selected permanent location.
- \* Adjust the four legs on the bottom (adjustable up to 4.5 cm) to have the ice dispenser perfectly horizontal. Use a spirit level.

- \* Secure the ice dispenser to the wall by using the braces (accessories) and mounting screws (not supplied). Bend the braces according to the installation condition.



## 6. ELECTRICAL CONNECTIONS

### ⚠ WARNING

#### THIS APPLIANCE MUST BE EARTHED

This ice dispenser requires an earth that meets the national and local electrical code requirements.

To prevent possible severe electrical shock to individuals or extensive damage to the unit, install a proper earth wire to the ice dispenser.

Disconnect the main power supply before any maintenance, repairs or cleaning is undertaken.

- \* This appliance requires a separate 220 - 240VAC, 10A supply. The electrical supply must be protected by a suitable circuit breaker.
- \* The main control box fuse is rated at 5A and should only be replaced by a qualified service engineer.
- \* Usually an electrical permit and services of a licensed electrician are required.

#### For the U.K. and the Republic of Ireland only

#### **WARNING: Only qualified personnel may disassemble or modify the appliance.**

- \* The wires in the mains lead are coloured in accordance with the following code:

Green & Yellow = Earth  
 Blue = Neutral  
 Brown = Live

As the colours of the wire in the mains lead of this appliance may not correspond with the coloured markings identifying the terminals in the plug, proceed as follows:

The wire which is coloured Green-and-Yellow must be connected to the terminal in the plug which is marked with the letter E or by the symbol  $\perp$  or coloured Green or Green-and-Yellow. The wire which is coloured Blue must be connected to the terminal which is marked with the letter N or coloured Black. The wire which is coloured Brown must be connected to the terminal which is marked with the letter L or coloured Red.

- \* Should the socket outlets in the installation site not be suitable for the plug supplied with the product, the plug must be removed (cut off if it is moulded on plug) and an appropriate plug fitted.

If the non-rewirable plug has been cut from the power supply cord, it must be disposed of. There should be no attempt to reuse it. Inserting such a plug into a socket elsewhere presents a serious risk of electrical shock.

- \* The non-rewirable plug must never be used without a fuse cover being fitted.

The correct replacement for the detachable fuse cover is identifiable from the manufacturer's reference number stamped on the plug.

Supply of replacement fuse covers can be obtained from Hoshizaki Parts/Service Centres.

Fuses should be rated at 13A and approved to BS 1362.



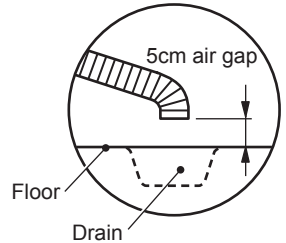
# ENGLISH

## 7. WATER SUPPLY AND DRAIN CONNECTIONS

### ▲WARNING

Connect to potable cold water supply only.

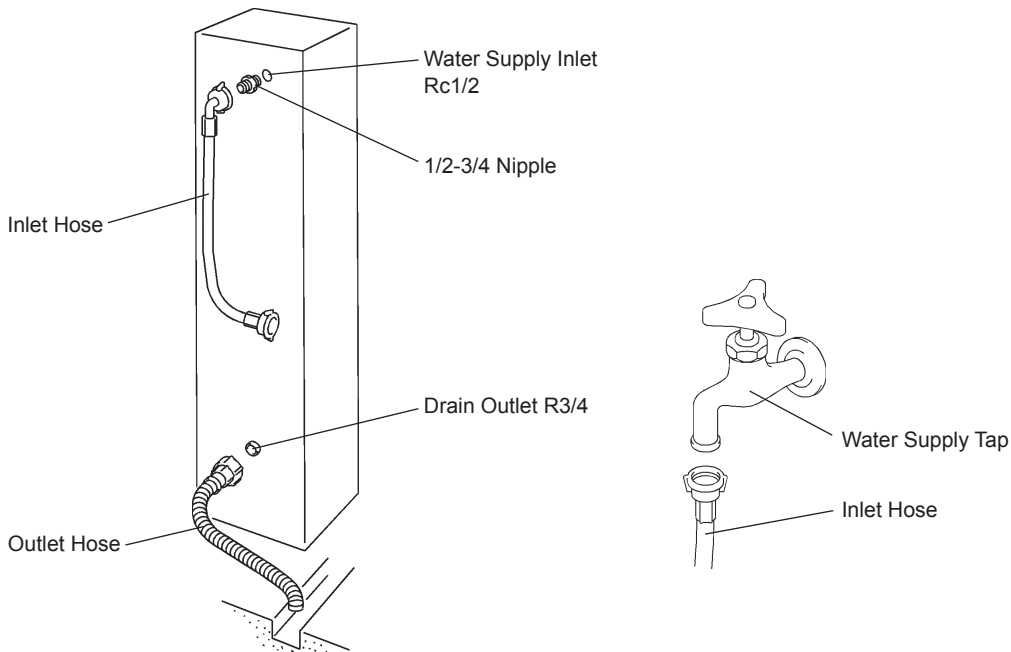
- \* The connections to the mains water supply must be made in accordance with the countries' current requirements of the Water Supply or Water Fittings Regulations.
- \* Icemaking water must be potable water. Where scaling can be caused by water quality, installation of an external filter or softener is recommended. Contact your local water treatment professional or Hoshizaki service agent.
- \* Water supply pressure should be minimum 0.07 MPa (0.7 bar) and maximum 0.78 MPa (7.8 bar). If the pressure exceeds 0.78 MPa (7.8 bar), use a proper pressure reducing valve. Do **NOT** throttle back the supply tap.
- \* A plumbing permit and services of a licensed plumber may be required in some areas.
- \* The ice dispenser drain is gravity fed, so ensure the drain hose has an adequate pitch or fall.
- \* Drain lines should not be installed directly to the sewer system. A vertical air gap of a minimum of 5 cm should be between the end of the drain hoses from the ice dispenser and the floor drain.
- \* Be sure to use the new hose-sets supplied with the appliance. Do not reuse any old hose-sets.



1) By means of a suitable spanner or wrench, tighten the 1/2-3/4 nipple (accessory) into the Rc1/2 fitting on the rear of the ice dispenser as indicated. P.T.F.E. tape and/or a suitable sealing compound should be used to obtain a leak free joint.

Note: Jointing compounds should be approved and suitable for potable water use.

- 2) Attach the angled end of flexible inlet hose (accessory) to free end of 1/2-3/4 nipple ensuring rubber sealing washer is correctly positioned. Hand tighten sufficiently to provide leak free joint.
- 3) Attach the other end of inlet hose to the water supply tap, noting that the washer is correctly positioned before hand tightening as above.
- 4) Attach the grey flexible outlet hose (accessory) to the R3/4 fitting as indicated, confirming fitment of rubber washer before finally hand tightening the joint. The hose can be cut to length as necessary to suit position of main drain.



## II. OPERATING INSTRUCTIONS

### NOTICE

All parts are factory-adjusted. Improper adjustments may result in failure.

If the unit is turned off, wait for at least 3 minutes before restarting the ice dispenser to prevent damage to the compressor.

### ▲HYGIENE

This ice dispenser is designed to produce edible ice. To keep the ice dispenser hygienic:

- \* Keep the ice station clean. Clean it by using a neutral cleaner and rinse thoroughly.
- \* The storage bin is for ice use only. Do not store anything else in the bin nor use other electrical appliances in the bin.
- \* Ask a professionally qualified person to clean the storage bin before use.
- \* The ice station is designed for a cup, glass or other small container to be placed to receive ice from the dispenser. Do not place anything else on the ice station.

### 1. START UP

- 1) Open the water tap.
- 2) Plug in the ice dispenser, and turn on the power switch to start operation.
- 3) After 30 - 60 minutes, press the push button and check for proper ice dispensing action.

### IMPORTANT

When water supply is off or water pressure is too low, the ice dispenser will produce no ice or abnormal ice. Always ensure proper water supply.

### 2. ICE DISPENSING

- \* Press the push button to dispense ice.
- \* Do not press the push button for more than 5 minutes. (If pressed for longer than 5 minutes, the dispensing function will temporarily cease to work. This feature is to help prevent damage to the machine.)

### 3. PREPARING THE ICE DISPENSER FOR LONG STORAGE

#### NOTICE

This ice dispenser will not work at subfreezing temperatures. To prevent damage to the water supply line, drain the ice dispenser when air temperature is below zero.

#### ▲HYGIENE

When shutting down the ice dispenser for two or more days, drain the ice dispenser to prevent contamination in the water circuit.

- 1) Close the water tap. Remove the inlet hose from the water tap, and drain the hose.
- 2) Dispense all ice from the storage bin.
- 3) Turn off the power switch, and unplug the ice dispenser.
- 4) Ask a professionally qualified person to drain the ice dispenser.

# ENGLISH

## III. MAINTENANCE

### 1. CLEANING

#### ⚠WARNING

Before carrying out any cleaning or maintenance operations, unplug the ice dispenser from the electrical supply network.

This appliance must not be cleaned by use of a water jet.

#### ⚠CAUTION

When using a neutral cleaner or sodium hypochlorite, thoroughly read and understand the instructions provided to prevent potential health problems.

#### NOTICE

Ask a trained service person to clean and sanitise the ice dispenser water system at least twice a year and to check and clean the condenser at least once a year.

To prevent possible damage, do not clean the plastic parts with water above 40°C or in a dishwasher.

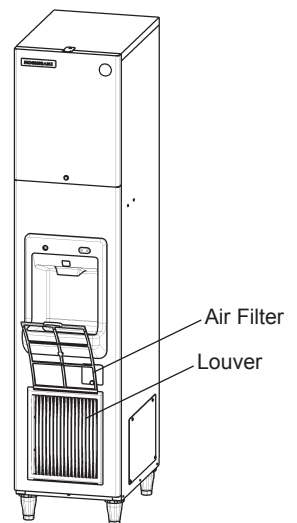
#### [a] Machine and Bin Exterior

Wipe the exterior at least once per week with a clean, soft cloth. Use a damp cloth containing a neutral cleaner to wipe off grease or dirt.

#### [b] Air Filter

Plastic mesh air filters remove dirt or dust from the air, and keep the condenser from getting clogged. If the filters get clogged, the ice dispenser's performance will be reduced. Remove and clean the air filter(s) at least twice per month:

- 1) Slide the air filter out of the filter guide in the louver.
- 2) Clean the air filter using a vacuum cleaner. When severely clogged, use warm water and a neutral cleaner to wash the air filter.
- 3) Rinse and dry the air filter thoroughly.



#### NOTICE

After cleaning, be sure to place the air filter back in position.

#### [c] Icemaking Water System

To keep the ice dispenser hygienic, periodic cleaning of the icemaking water system is recommended. Always ask a trained service person to clean the water system.

### 2. BEFORE CALLING FOR SERVICE

#### ⚠WARNING

Do not damage the refrigerant circuit.

If the ice dispenser does not work properly or does not work at all and no error code is indicated on the display, before calling for service, check that:

- \* Power is supplied to the unit and the power switch is turned on.
- \* Water is supplied to the unit and the water supply tap is open.
- \* The air filter is clean.

For further assistance or advice, contact your local Hoshizaki service agent.

### 3. DISPOSAL

Comply with local regulations regarding disposal of this appliance and its refrigerant gas.

Correct disposal of this product:

This marking indicates that this product should not be disposed with other household wastes throughout the EU. To prevent possible harm to the environment or human health from uncontrolled waste disposal, recycle it responsibly to promote the sustainable reuse of material resources. To return your used device, use the return and collection systems or contact the retailer where the product was purchased. They can take this product for environmental safe recycling.



### 4. WARRANTY

Hoshizaki warrants to the original owner/user that all Hoshizaki branded products shall be free of defects in material and/or workmanship for the duration of the “warranty period”. The warranty shall be effective for two years from the date of installation. Hoshizaki’s liability under the terms of the warranty are limited and shall exclude routine servicing, cleaning, essential maintenance and/or repairs occasioned by misuse and installations not in accordance with Hoshizaki guidelines.

Warranty repairs should be completed by an approved Hoshizaki dealer or service agency using genuine Hoshizaki components.

To obtain full details of your warranty and approved service agency, please contact your dealer/supplier, or the nearest Hoshizaki Service office:

#### Europe, Middle East, Africa

Hoshizaki UK - UK, Ireland  
TEL: +44 845 456 0585  
FAX: +44 132 283 8331  
uksales@hoshizaki.co.uk

Hoshizaki Middle East - Middle East  
TEL: +971 48 876 612  
FAX: +971 48 876 613  
sales@hoshizaki.ae

Hoshizaki Deutschland - Germany, Switzerland, Austria  
TEL: +49 2154 92810  
FAX: +49 2154 928128  
info@hoshizaki.de

Hoshizaki Nederland & België - Netherlands, Belgium, Luxembourg  
TEL: +31 20 5650420 (Nederland)  
TEL: +32 2 712 30 30 (België)  
FAX: +31 20 6918768  
sales@hoshizaki.nl (Nederland)  
info@hoshizaki.be (België)

Hoshizaki France - France  
TEL: +33 1 48 63 93 80  
FAX: +33 1 48 63 93 88  
info@hoshizaki.fr

Hoshizaki Iberia - Spain, Portugal  
TEL: +34 93 478 09 52  
FAX: +34 93 478 08 00  
info@hoshizaki.es

Hoshizaki Europe B.V. - all other countries within Europe and Africa  
TEL: +31 20 6918499  
FAX: +31 20 6918768  
sales@hoshizaki.nl

#### Asia, Oceania

Hoshizaki Singapore  
TEL: +65 6225 2612  
FAX: +65 6225 3219

Hoshizaki Hong Kong  
TEL: +852 2866-2108  
FAX: +852 2866-2109

Hoshizaki Taiwan  
TEL: +886 2 2706 8818  
FAX: +886 2 2708 7999

Hoshizaki Lancer  
TEL: +61 8 8268 1388  
FAX: +61 8 8268 1978

# ENGLISH

## SPECIFICATIONS

Model	DIM-30DE-1	DIM-30DE-2
Type	Air-cooled, cube ice	Air-cooled, cube ice
Power Supply	1 phase 220 - 240V / 230V 50 / 60Hz	1 phase 220 - 240V / 230V 50 / 60Hz
Electric Consumption	320 / 330W	320 / 340 W
Ice Production per 24h	32kg (5mm) / 34kg (5mm) (ambient 10°C, water 10°C)	40kg (5mm) / 42kg (5mm) (ambient 10°C, water 10°C)
Dimensions	350mm(W) x 500mm(D) x 1600mm(H)	350mm(W) x 500mm(D) x 1600mm(H)
Refrigerant	R134a, 0.19kg (GWP: 1430, CO2: 0.272t)	R134a, 0.20kg (GWP: 1430, CO2: 0.286t)
Insulation Foam Blowing Agent	HFC-free	HFC-free
Weight	Net: 65kg (Gross: 71kg)	Net: 65kg (Gross: 71kg)
Ambient Temp	1 - 40°C	1 - 40°C
Water Supply Temp	5 - 35°C	5 - 35°C
Water Supply Pressure	0.07 - 0.78 MPa (0.7 - 7.8 bar)	0.07 - 0.78 MPa (0.7 - 7.8 bar)
Voltage Range	Rated voltage $\pm$ 6 / 10%	Rated voltage $\pm$ 6 / 10%

**This product includes a hermetically sealed refrigeration system that contains fluorinated greenhouse gases.**

## INFORMATIONS DE SECURITE IMPORTANTES

Tout au long de ce manuel, des avis attirent votre attention sur des situations qui pourraient entraîner la mort, des blessures graves ou des dégâts à l'appareil.

<b>▲AVERTISSEMENT</b>	Signale une situation dangereuse qui, si elle n'est pas évitée, peut entraîner des blessures graves voire mortelles.
<b>▲ATTENTION</b>	Signale une situation dangereuse qui, si elle n'est pas évitée, peut entraîner des blessures mineures ou modérées.
<b>AVIS</b>	Signale une situation dangereuse qui, si elle n'est pas évitée, peut entraîner des dégâts à l'appareil.
<b>▲HYGIENE</b>	Signale des précautions importantes à prendre en matière d'hygiène et de sécurité alimentaire.
<b>IMPORTANT</b>	Signale des informations importantes sur l'utilisation de l'appareil et son entretien.

### IMPORTANT

Ce livret est un élément essentiel qui fait partie intégrante du produit et il doit être conservé soigneusement par l'utilisateur.

Veillez lire attentivement les conseils et les avertissements qui s'y trouvent, car ils ont pour but de fournir à l'installateur et à l'utilisateur des informations essentielles pour une installation correcte, une utilisation en toute sécurité et un entretien adéquat du produit.

Veillez conserver précieusement ce livret pour toute référence ultérieure.

### ▲AVERTISSEMENT

Ce distributeur de glaçons a été conçu pour des applications commerciales ; il ne peut être utilisé qu'aux fins auxquelles il est expressément destiné.

Toute autre utilisation doit être considérée comme inappropriée et donc dangereuse. Le fabricant décline toute responsabilité pour les dégâts provoqués par une utilisation inappropriée, incorrecte et abusive.

**L'installation, et le transfert le cas échéant, doivent être effectués par un personnel qualifié**, conformément aux réglementations en vigueur et aux consignes du fabricant.

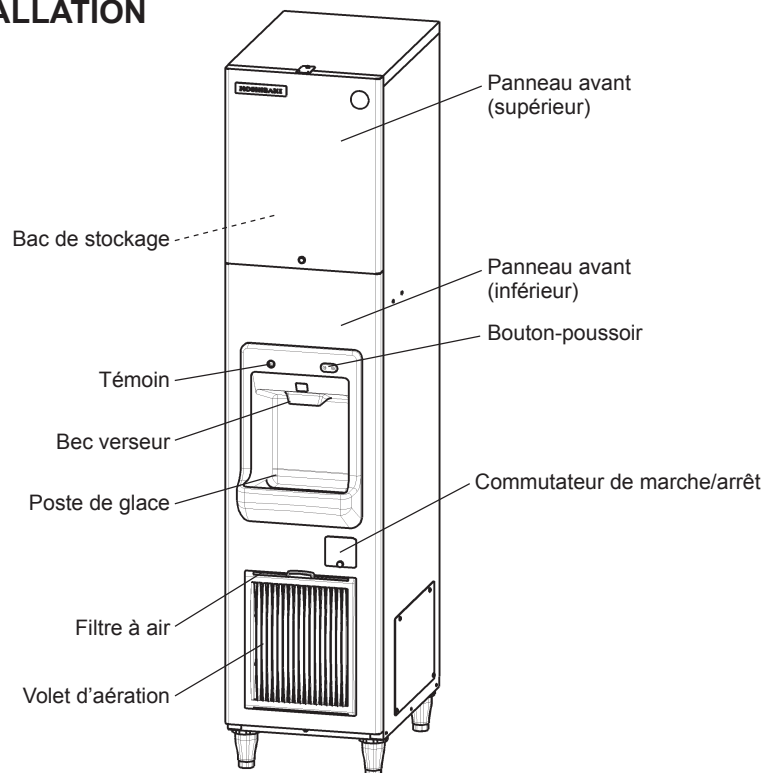
Veillez à ce que les ouvertures de ventilation de l'enceinte de l'appareil et de la structure intégrée ne soient pas obstruées.

L'utilisation de tout appareil électrique implique le respect de certaines règles fondamentales. En particulier :

- \* La présence d'une humidité élevée augmente le risque de courts-circuits électriques et de décharges électriques. En cas de doute, débrancher le distributeur de glaçons.
- \* Ne pas endommager le cordon d'alimentation et ne pas tirer sur le cordon d'alimentation pour débrancher le distributeur de glaçons.
- \* Si le cordon d'alimentation est endommagé, il doit être remplacé par un cordon de rechange disponible auprès des centres de pièces détachées et d'entretien Hoshizaki.
- \* Ne pas toucher les pièces électriques ni les commutateurs avec les mains humides.
- \* Cette machine n'est pas prévue pour une utilisation par des personnes (y compris des enfants) aux capacités physiques, sensorielles ou mentales réduites, ou manquant d'expérience ou de connaissances. Elle peut cependant être utilisée par des enfants d'au moins 8 ans et des personnes aux capacités physiques, sensorielles ou mentales réduites, ou manquant d'expérience ou de connaissances, si une personne responsable de leur sécurité les surveille ou leur a indiqué les consignes d'utilisation de la machine.
- \* Les enfants ne doivent pas jouer avec la machine.
- \* Le nettoyage et l'entretien régulier ne doivent pas être effectués par des enfants sans surveillance.
- \* Ne pas tenter de modifier le distributeur de glaçons. Cet appareil ne peut être démonté ou réparé que par du personnel qualifié.

## I. CONSIGNES D'INSTALLATION

### 1. CONSTRUCTION

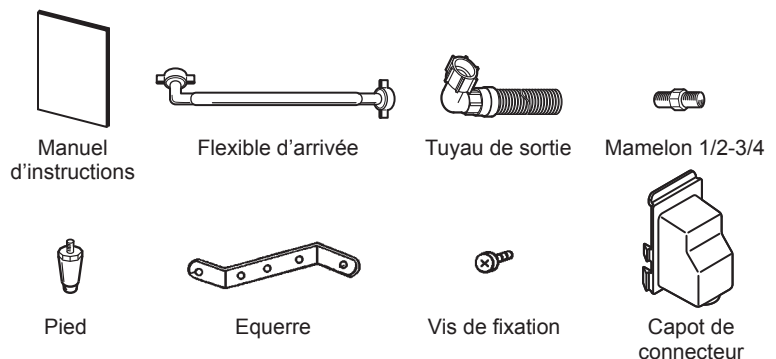


### IMPORTANT

Ne retirer aucun panneau de service fixé avec des vis. L'accès à la zone de service est limité aux personnes connaissant la machine et l'ayant déjà utilisée, en particulier en ce qui concerne la sécurité et l'hygiène.

### 2. ACCESSOIRES

	DIM-30DE-1	DIM-30DE-2
Manuel d'instructions	1	1
Flexible d'arrivée	1	1
Tuyau de sortie	1	1
Mamelon 1/2-3/4	1	1
Pied	4	4
Equerre	2	2
Vis de fixation	2	2
Capot de connecteur	0	1



### 3. DEBALLAGE

#### ⚠ AVERTISSEMENT

Les enfants doivent être tenus à l'écart des éléments d'emballage (sacs en plastique et polystyrène expansé) car ils constituent des sources de danger potentielles.

#### ⚠ ATTENTION

Ne pas soulever ou déplacer le carton en utilisant les sangles d'emballage.

Lors du déplacement manuel de l'appareil, respecter les réglementations locales/nationales et retirer l'appareil de sa base lorsqu'il est soulevé.

Toujours porter des gants de protection lors du transport de l'appareil.

Lors de la manipulation du carton ou de l'appareil déballé, travailler à deux pour éviter les blessures.



## AVIS

Enlever le carton de transport, le ruban adhésif et le matériel d'emballage. S'il reste des matériaux d'emballage dans le distributeur de glaçons, il ne fonctionnera pas correctement.

- 1) Une fois les matériaux d'emballage enlevés, vérifier que le distributeur de glaçons est en bon état. En cas de doute, ne pas utiliser le distributeur de glaçons et faire appel à un technicien qualifié.
- 2) Retirer le film protecteur en plastique recouvrant l'extérieur de la machine. Si le distributeur de glaçons est exposé au soleil ou à la chaleur, attendre qu'il se soit refroidi pour le faire.
- 3) Retirer le paquet contenant les accessoires. Vérifier le contenu conformément à « 2. ACCESSOIRES ».

## 4. EMBLACEMENT

### ⚠ AVERTISSEMENT

Ce distributeur de glaçons n'est pas conçu pour être utilisé à l'extérieur.

Le distributeur de glaçons ne doit pas être placé à proximité de fours, de grills, ou de toute autre source de chaleur importante.

Cet appareil n'est pas conçu pour être installé dans une zone où un jet d'eau peut être utilisé.

Pour éviter un risque dû à l'instabilité de la machine, cette dernière doit être posée sur une surface solide et plane.

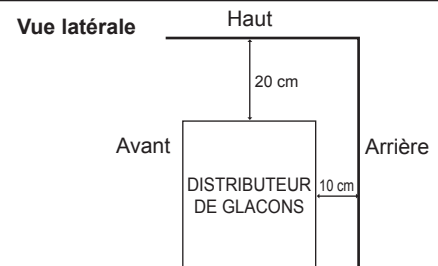
### AVIS

Ne rien poser sur le dessus du distributeur ni devant le volet d'aération.

### IMPORTANT

La température ambiante de service recommandée est comprise entre 1 °C et 40 °C. Ce distributeur de glaçons peut cependant fonctionner à 43 °C. Seul un raccordement à l'eau froide est possible. Le fonctionnement du distributeur de glaçons en dehors de ces plages de températures, pendant des durées prolongées, risque d'affecter la capacité de production de glaçons.

Pour assurer une bonne circulation d'air et faciliter les opérations de maintenance ou d'entretien, prévoir le dégagement indiqué ci-dessous.



Dans certains environnements très humides, de la condensation peut se former à l'intérieur de la machine et couler sur le sol. Ne pas installer l'appareil sur un sol que l'eau pourrait endommager.

## 5. INSTALLATION

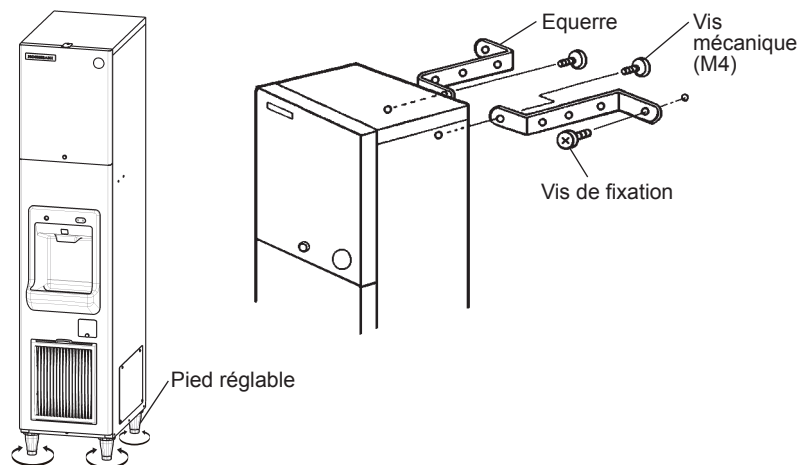
### ⚠ ATTENTION

Une installation incorrecte de la machine peut avoir des conséquences néfastes sur les personnes, les animaux ou d'autres choses, pour lesquelles le fabricant ne peut être tenu responsable.

\* Placer le distributeur de glaçons à l'emplacement choisi pour son installation.

\* Régler les quatre pieds du bas (réglables jusqu'à 4,5 cm) pour que le distributeur soit parfaitement horizontal. Utiliser un niveau à bulles.

- \* Fixer le distributeur au mur à l'aide des équerres (accessoires) et des vis de fixation (non fournies). Courber les équerres selon les conditions d'installation.



## 6. BRANCHEMENTS ELECTRIQUES

### ⚠ AVERTISSEMENT

#### CET APPAREIL DOIT ETRE MIS A LA TERRE

Ce distributeur de glaçons doit avoir une mise à la terre qui respecte les réglementations électriques nationales et locales.

Pour éviter tout risque de décharges électriques graves ou de dégâts importants à l'appareil, installer un câble de mise à la terre approprié sur le distributeur de glaçons.

Avant toute opération de maintenance, réparation ou nettoyage, débrancher l'alimentation électrique.

- \* Cet appareil nécessite une alimentation 220 - 240 V CA 10 A séparée. L'alimentation électrique doit être protégée par un disjoncteur approprié.
- \* Le fusible du boîtier de commande principal est étalonné à 5 A et ne doit être remplacé que par un technicien d'entretien qualifié.
- \* Il faut généralement obtenir une autorisation pour effectuer l'installation électrique et recourir aux services d'un électricien qualifié.

#### Pour le Royaume-Uni et la République d'Irlande uniquement

#### **AVERTISSEMENT : Cet appareil ne peut être démonté ou modifié que par du personnel qualifié.**

- \* Les fils du cordon d'alimentation électrique présentent le codage couleur suivant :

Vert et jaune = Terre  
Bleu = Neutre  
Marron = Sous tension

La couleur des conducteurs du cordon d'alimentation de cet appareil peut ne pas correspondre au marquage couleur des bornes de la fiche ; dans ce cas, procéder comme suit :

Le fil vert et jaune doit être relié à la borne de la fiche repérée par la lettre E ou par le symbole  $\perp$  ou la couleur verte ou verte et jaune. Le conducteur bleu doit être raccordé à la borne portant la lettre N ou de couleur noire. Le conducteur marron doit être raccordé à la borne portant la lettre L ou de couleur rouge.

- \* Si la fiche livrée avec la machine ne convient pas aux prises du local d'installation, l'enlever (la couper s'il s'agit d'une fiche moulée) et en monter une autre.

Une fiche non recâblable enlevée doit être jetée. Elle ne peut en aucun cas être réutilisée. L'insertion de ce type de fiche dans une autre prise présente des risques graves de décharges électriques.

- \* La fiche non recâblable ne doit jamais être utilisée sans un protège-fusible.

Le numéro de référence du protège-fusible amovible est imprimé sur la fiche. Utiliser cette référence pour toute commande de pièce.

Il est possible de se procurer des protège-fusibles de remplacement auprès des centres de pièces détachées et d'entretien Hoshizaki.

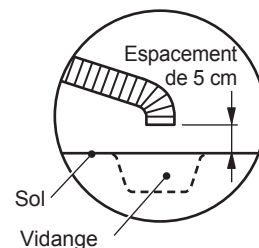
La capacité nominale des fusibles doit être de 13 A ; ils doivent être agréés selon la norme BS 1362.

## 7. BRANCHEMENTS D'ARRIVEE ET DE VIDANGE D'EAU

### ▲ AVERTISSEMENT

Raccorder à l'arrivée d'eau potable froide uniquement.

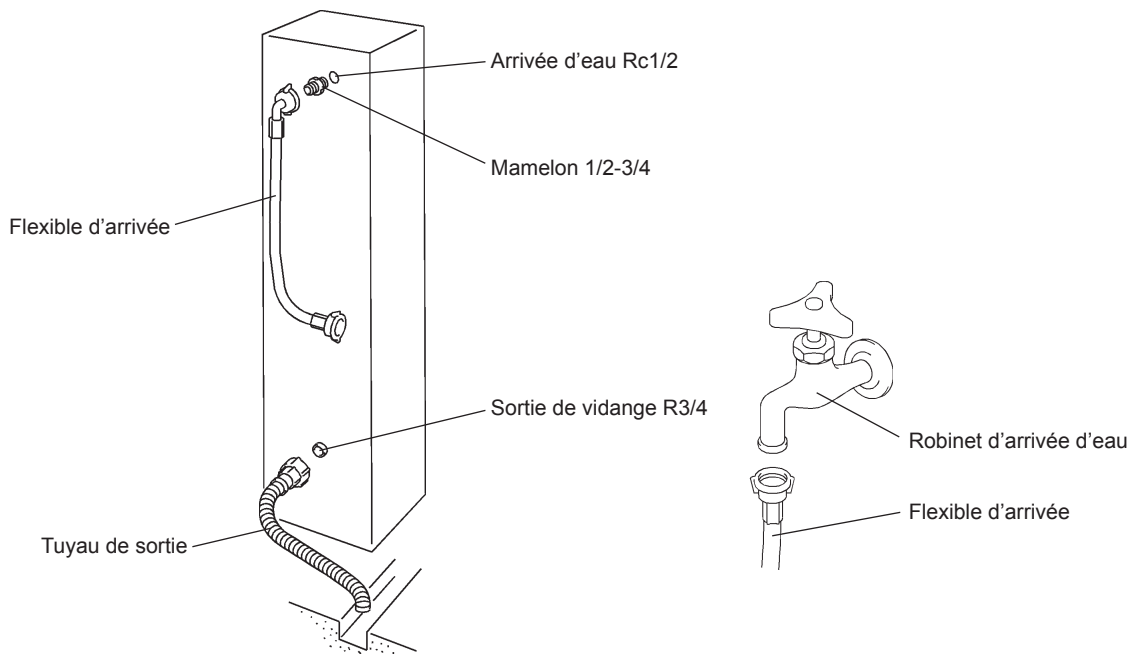
- \* Les raccordements à l'arrivée d'eau du réseau doivent être réalisés conformément aux exigences nationales en vigueur des réglementations sur l'alimentation en eau ou les raccords.
- \* L'eau utilisée pour la fabrication de la glace doit être potable. Si la qualité de l'eau entraîne la formation de tartre, le montage d'un filtre externe ou d'un adoucisseur est recommandé. Contactez le professionnel du traitement de l'eau ou l'agent de service Hoshizaki local.
- \* La pression de l'arrivée d'eau doit être de 0,07 MPa (0,7 bar) au minimum et de 0,78 MPa (7,8 bar) au maximum. Si la pression dépasse 0,78 MPa (7,8 bar), utiliser un réducteur de pression approprié. Ne PAS réduire le débit du robinet d'alimentation.
- \* Dans certaines régions, il est possible qu'il faille obtenir une autorisation pour effectuer les travaux de plomberie et avoir recours aux services d'un plombier autorisé.
- \* La vidange d'eau du distributeur de glaçons s'effectue par gravité : le tuyau de vidange doit donc avoir une inclinaison ou une hauteur de chute suffisante.
- \* Les tuyaux de vidange ne doivent pas être reliés directement à l'égout. L'extrémité des tuyaux de vidange du distributeur de glaçons doit être espacée d'au moins 5 cm à la verticale par rapport à l'évacuation de sol.
- \* Veiller à utiliser les jeux de tuyaux neufs fournis avec l'appareil. Ne pas réutiliser les anciens jeux de tuyaux.



- 1) A l'aide d'une clé adaptée, serrer le mamelon 1/2-3/4 (accessoire) dans le raccord Rc1/2 à l'arrière du distributeur de glaçons comme indiqué. Utiliser du ruban PTFE et/ou du mastic d'étanchéité adéquat pour former un joint étanche.

Remarque : Les produits d'étanchéité pour joints doivent être approuvés et adaptés à une utilisation avec de l'eau potable.

- 2) Raccorder l'extrémité coudée du tuyau d'arrivée d'eau (accessoire) à l'extrémité libre du mamelon 1/2-3/4 en veillant à placer correctement la rondelle d'étanchéité en caoutchouc. Serrer manuellement de manière à obtenir un raccordement étanche.
- 3) Fixer l'autre extrémité du tuyau d'arrivée au robinet d'arrivée d'eau, en veillant à ce que la rondelle soit correctement positionnée, avant de serrer manuellement comme décrit ci-dessus.
- 4) Raccorder le tuyau gris de vidange (accessoire) au raccord R3/4 comme cela est indiqué, en contrôlant le placement correct de la rondelle d'étanchéité en caoutchouc, avant de serrer le joint à la main. Le tuyau peut être coupé à la longueur voulue en fonction de la position de vidange principale.



## II. CONSIGNES D'UTILISATION

### AVIS

Toutes les pièces sont réglées en usine. Tout mauvais réglage risque de provoquer une panne.

Si le distributeur est arrêté, attendre au moins 3 minutes avant de le remettre sous tension pour éviter d'endommager le compresseur.

### ▲HYGIENE

Ce distributeur de glaçons est conçu pour produire de la glace alimentaire. Pour le maintenir dans un parfait état d'hygiène, procéder comme suit :

\* Garder propre le poste de glace. La nettoyer en utilisant un produit nettoyant neutre et la rincer soigneusement.

\* Le bac de stockage est destiné uniquement à la glace. Ne conserver rien d'autre dans ce bac, et ne pas y utiliser d'autres équipements électriques.

\* Confier le nettoyage du bac de stockage à un professionnel.

\* Le poste de glace est conçu de manière à ce qu'une coupelle, une verre ou un autre petit récipient puisse être placé pour récupérer les glaçons du distributeur. Ne rien placer d'autre sur le poste de glace.

### 1. MISE EN MARCHÉ

- 1) Ouvrir le robinet d'arrivée d'eau.
- 2) Brancher le distributeur de glaçons et activer le commutateur de marche/arrêt pour mettre le distributeur en marche.
- 3) Après 30 à 60 minutes, appuyer sur le bouton-poussoir et vérifier la bonne distribution des glaçons.

### IMPORTANT

Quand l'arrivée d'eau est coupée ou que la pression d'eau est trop faible, le distributeur de glaçons ne produira pas de glaçons ou les glaçons produits présenteront des anomalies. Toujours veiller à ce que l'arrivée d'eau soit correcte.

### 2. DISTRIBUTION DE GLAÇONS

- \* Appuyer sur le bouton-poussoir pour distribuer les glaçons.
- \* Ne pas appuyer sur le bouton-poussoir pendant plus de 5 minutes. (Si le bouton-poussoir est enfoncé pendant plus de 5 minutes, la fonction de distribution s'arrête temporairement. Cela permet d'éviter un endommagement de la machine.)

## 3. PREPARATION DU DISTRIBUTEUR DE GLAÇONS EN VUE D'UN ENTREPOSAGE DE LONGUE DUREE

### AVIS

Le distributeur de glaçons ne fonctionnera pas aux températures au-dessous de zéro. Pour prévenir tout dommage au niveau de la conduite d'arrivée d'eau, vidanger le distributeur de glaçons lorsque la température de l'air est inférieure à zéro.

### ▲HYGIENE

En cas de mise hors tension du distributeur de glaçons pendant au moins deux jours, le vidanger pour éviter une contamination du circuit d'eau.

- 1) Fermer le robinet d'eau. Débrancher le tuyau d'arrivée du robinet d'eau et vidanger le tuyau.
- 2) Distribuer toute la glace du bac de stockage.
- 3) Désactiver le commutateur de marche/arrêt et débrancher le distributeur de glaçons.
- 4) Confier la vidange du distributeur de glaçons à un professionnel.

### III. ENTRETIEN

#### 1. NETTOYAGE

##### ▲AVERTISSEMENT

Avant toute opération de nettoyage ou d'entretien, débrancher l'alimentation électrique du distributeur de glaçons.

Cet appareil ne doit pas être nettoyé à l'aide d'un jet d'eau.

##### ▲ATTENTION

En cas d'utilisation d'un produit neutre ou d'hypochlorite de sodium, bien lire et comprendre les consignes fournies pour éviter des problèmes de santé potentiels.

##### AVIS

Faire nettoyer et désinfecter le système d'eau du distributeur de glaçons par un technicien qualifié au moins deux fois par an et faire vérifier et nettoyer le condenseur au moins une fois par an.

Afin d'éviter tout dommage possible, ne pas nettoyer les pièces en plastique avec de l'eau à plus de 40 °C ou dans un lave-vaisselle.

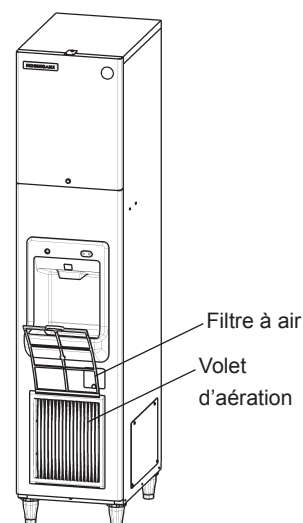
#### [a] Extérieur de la machine et du bac

Essuyer l'extérieur au moins une fois par semaine à l'aide d'un chiffon doux et propre. Pour éliminer les traces de graisse ou les salissures, utiliser un chiffon imbibé d'un produit de nettoyage neutre.

#### [b] Filtre à air

Des filtres à air en plastique permettent de filtrer les impuretés et la poussière de l'air, et empêchent l'obturation du condenseur. En cas de colmatage des filtres, les performances du distributeur de glaçons seront affectées. Déposer et nettoyer le(s) filtre(s) à air au moins deux fois par mois :

- 1) Faire glisser le filtre à air hors du guide du volet d'aération.
- 2) Utiliser un aspirateur pour nettoyer le filtre à air. En cas de colmatage important, laver le filtre à air en utilisant une solution d'eau chaude et de produit nettoyant neutre.
- 3) Rincer et sécher soigneusement le filtre à air.



##### AVIS

Après nettoyage, veiller à remettre en place le filtre à air.

#### [c] Système d'eau de la machine à glace

Pour maintenir le distributeur de glaçons dans un parfait état d'hygiène, il est conseillé de nettoyer périodiquement son système d'eau. Toujours demander à un technicien qualifié de procéder à ce nettoyage.

#### 2. AVANT D'APPELER UN REPARATEUR

##### ▲AVERTISSEMENT

Veiller à ne pas endommager le circuit réfrigérant.

Si le distributeur de glaçons ne fonctionne pas correctement ou pas du tout et qu'aucun code d'erreur ne s'affiche à l'écran, effectuer les contrôles suivants avant d'appeler un réparateur:

# FRANCAIS

- \* La machine est bien raccordée à l'alimentation électrique et le commutateur de marche/arrêt est activé.
- \* La machine est bien raccordée à l'arrivée d'eau et le robinet est ouvert.
- \* Le filtre à air est propre.

Pour tout autre conseil ou assistance, contacter le réparateur Hoshizaki le plus proche de chez vous.

## 3. MISE AU REBUT

Respecter les réglementations locales relatives à la mise au rebut de cet appareil et de son fluide frigorigène.

Mise au rebut correcte de ce produit :

Ce symbole indique que ce produit ne doit pas être mis au rebut avec d'autres déchets ménagers dans l'UE. Pour empêcher que le dépôt non contrôlé de déchets ne nuise à l'environnement ou à la santé, recycler ce produit de manière responsable de sorte que les ressources matérielles soient réutilisées durablement. Pour se débarrasser de l'appareil usagé, s'adresser aux services de collecte de déchets ou contacter le détaillant où le produit a été acheté. Ils peuvent prendre en charge ce produit et le recycler de manière respectueuse pour l'environnement.



## 4. GARANTIE

Hoshizaki garantit au propriétaire/à l'utilisateur d'origine que tous les produits portant la marque Hoshizaki seront exempts de tout défaut et/ou vice de fabrication au cours de la « période de garantie ». La garantie est valable deux ans à compter de la date d'installation.

La responsabilité de Hoshizaki aux termes de la garantie est limitée et exclut les interventions d'entretien de routine, de nettoyage, de maintenance essentielle et/ou les réparations découlant d'une utilisation abusive et d'installations non conformes aux directives de Hoshizaki.

Les réparations effectuées au titre de la garantie doivent être effectuées par un revendeur ou un réparateur agréé Hoshizaki utilisant des composants Hoshizaki d'origine.

Pour tout renseignement sur votre garantie et les agents de service agréés, veuillez prendre contact avec votre distributeur/fournisseur ou le centre de services Hoshizaki le plus proche :

### Europe, Moyen-Orient, Afrique

Hoshizaki UK - Royaume-Uni, Irlande  
TEL. : +44 845 456 0585  
FAX : +44 132 283 8331  
uksales@hoshizaki.co.uk

Hoshizaki Middle East - Moyen-Orient  
TEL. : +971 48 876 612  
FAX : +971 48 876 613  
sales@hoshizaki.ae

Hoshizaki Deutschland - Allemagne, Suisse, Autriche  
TEL. : +49 2154 92810  
FAX : +49 2154 928128  
info@hoshizaki.de

Hoshizaki Nederland & België - Pays-Bas, Belgique, Luxembourg  
TEL. : +31 20 5650420 (Pays-Bas)  
TEL. : +32 2 712 30 30 (Belgique)  
FAX : +31 20 6918768  
sales@hoshizaki.nl (Pays-Bas)  
info@hoshizaki.be (Belgique)

Hoshizaki France - France  
TEL. : +33 1 48 63 93 80  
FAX : +33 1 48 63 93 88  
info@hoshizaki.fr

Hoshizaki Iberia - Espagne, Portugal  
TEL. : +34 93 478 09 52  
FAX : +34 93 478 08 00  
info@hoshizaki.es

Hoshizaki Europe B.V. - tous les autres pays en dehors de l'Europe et de l'Afrique  
TEL. : +31 20 6918499  
FAX : +31 20 6918768  
sales@hoshizaki.nl

### Asie, Océanie

Hoshizaki Singapore  
TEL. : +65 6225 2612  
FAX : +65 6225 3219

Hoshizaki Hong Kong  
TEL. : +852 2866 -2108  
FAX : +852 2866 -2109

Hoshizaki Taiwan  
TEL. : +886 2 2706 8818  
FAX : +886 2 2708 7999

Hoshizaki Lancer  
TEL. : +61 8 8268 1388  
FAX : +61 8 8268 1978

## SPECIFICATIONS

Modèle	DIM-30DE-1	DIM-30DE-2
Type	Refroidi par air, glace en cubes	Refroidi par air, glace en cubes
Alimentation	Monophasé 220-240 V/230 V 50/60 Hz	Monophasé 220-240 V/230 V 50/60 Hz
Consommation électrique	320/330 W	320/340 W
Production de glace par 24 h	32 kg (5 mm)/34 kg (5 mm) (temp. ambiante 10 °C, temp. de l'eau 10 °C)	40 kg (5 mm)/42 kg (5 mm) (temp. ambiante 10 °C, temp. de l'eau 10 °C)
Dimensions	350 mm (l) x 500 mm (P) x 1600 mm (H)	350 mm (l) x 500 mm (P) x 1600 mm (H)
Fluide frigorigène	R134a, 0,19 kg (GWP : 1430, CO2 : 0,272 t)	R134a, 0,20 kg (GWP : 1430, CO2 : 0,286 t)
Agent d'expansion de mousse isolante	Sans HFC	Sans HFC
Poids	Net : 65 kg (Brut : 71 kg)	Net : 65 kg (Brut : 71 kg)
Température ambiante	1 - 40 °C	1 - 40 °C
Température de l'arrivée d'eau	5 - 35 °C	5 - 35 °C
Pression de l'arrivée d'eau	0,07 - 0,78 MPa (0,7 - 7,8 bar)	0,07 - 0,78 MPa (0,7 - 7,8 bar)
Plage de tension	Tension nominale ± 6 %/10 %	Tension nominale ± 6 %/10 %

**Ce produit comprend un système de réfrigération hermétiquement fermé qui contient des gaz à effet de serre fluorés.**



# DEUTSCH

## WICHTIGE SICHERHEITSHINWEISE

Dieses Handbuch enthält Hinweise, die Sie auf Situationen aufmerksam machen sollen, die Tod, schwere Verletzungen oder Geräteschäden verursachen können.

<b>▲WARNUNG</b>	Kennzeichnet eine gefährliche Situation, die, wenn sie nicht vermieden wird, zum Tod oder zu schweren Verletzungen führen kann.
<b>▲VORSICHT</b>	Kennzeichnet eine gefährliche Situation, die, wenn sie nicht vermieden wird, zu leichten oder mittleren Verletzungen führen kann.
<b>HINWEIS</b>	Kennzeichnet eine gefährliche Situation, die, wenn sie nicht vermieden wird, zu Geräteschäden führen kann.
<b>▲HYGIENE</b>	Kennzeichnet wichtige Maßnahmen für Hygiene und Lebensmittelsicherheit.
<b>WICHTIG</b>	Kennzeichnet wichtige Informationen zu Gebrauch und Pflege des Gerätes.

### WICHTIG

Diese Broschüre ist ein integraler und wesentlicher Bestandteil des Produkts und ist deshalb vom Benutzer aufzubewahren.

Bitte lesen Sie die Hinweise und Warnungen sorgfältig durch, da sie wichtige Informationen für die sachgemäße Installation, einen langen, sicheren Gebrauch und die Wartung des Produkts enthalten.

Bitte heben Sie diese Bedienungsanleitung auf, damit Sie bei Bedarf darauf zurückgreifen können.

### ▲WARNUNG

Dies ist ein Eisdispenser für den gewerblichen Einsatz, der ausschließlich für den vorgesehenen Zweck zu benutzen ist.

Jede andere Verwendung ist als Zweckentfremdung und somit als gefährlich anzusehen. Der Hersteller übernimmt keine Haftung oder Verantwortung für Schäden, die durch missbräuchliche, falsche oder unangemessene Verwendung verursacht werden.

**Installation und erforderliche Standortverlegungen sind von qualifiziertem Personal** in Übereinstimmung mit geltenden Vorschriften nach Angaben des Herstellers auszuführen.

Die Lüftungsöffnungen im Gerätegehäuse oder im Innern des Gerätes nicht blockieren.

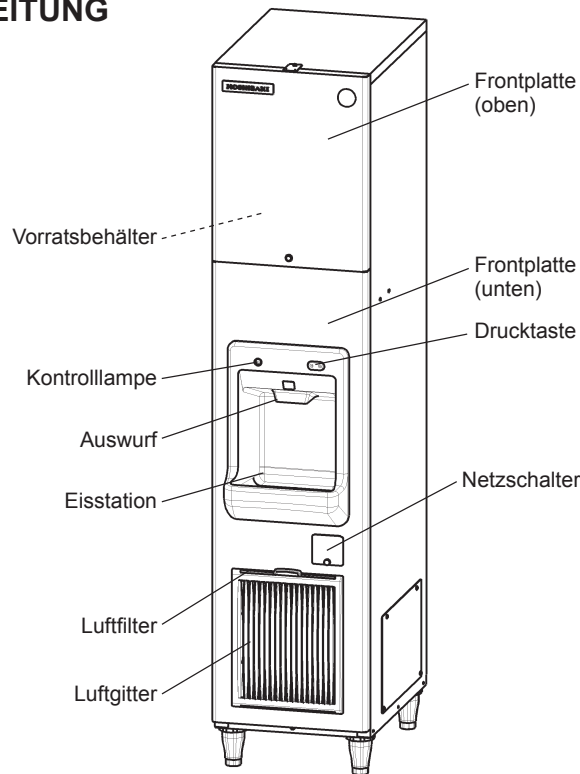
Wie bei allen Elektrogeräten sind stets einige grundsätzliche Vorsichtsmaßnahmen zu beachten. Insbesondere:

- \* Bei hoher Feuchtigkeit oder Nässe besteht Kurzschlussgefahr, wodurch ein elektrischer Schlag verursacht werden kann. Im Zweifelsfall immer den Netzstecker des Eisdispensers ziehen.
- \* Das Stromkabel nicht beschädigen und zum Trennen des Eisdispensers vom Stromnetz nicht am Stromkabel ziehen.
- \* Ist das Netzkabel beschädigt, muss es durch ein vom Hoshizaki-Ersatzteil-/Kundendienst erhältliches Ersatzkabel ersetzt werden.
- \* Die elektrischen Komponenten und die Schalter nicht mit feuchten Händen berühren.
- \* Dieses Gerät darf nicht von Personen (einschl. Kindern) benutzt werden, deren physische, sensorische oder mentale Fähigkeiten eingeschränkt sind oder über keine Erfahrung und kein Wissen verfügen. Es kann jedoch benutzt werden von Kindern ab 8 Jahren und Personen, deren physische, sensorische oder mentale Fähigkeiten eingeschränkt sind oder über keine Erfahrung und kein Wissen verfügen, wenn sie von einer für ihre Sicherheit verantwortlichen Person bei der Benutzung des Gerätes beaufsichtigt oder angeleitet werden.
- \* Kinder dürfen nicht mit dem Gerät spielen.
- \* Reinigungs- und Wartungsarbeiten dürfen von Kindern nicht unbeaufsichtigt durchgeführt werden.
- \* Am Eisdispenser dürfen keine Änderungen vorgenommen werden. Das Gerät darf nur von Fachpersonal zerlegt oder instand gesetzt werden.

# DEUTSCH

## I. INSTALLATIONSANLEITUNG

### 1. KONSTRUKTION

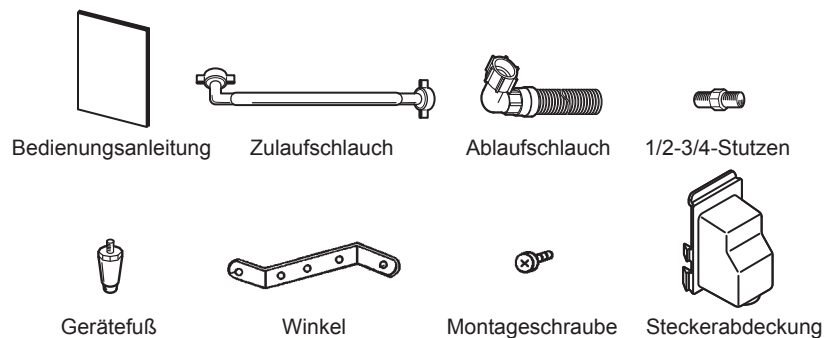


### WICHTIG

Mit Schrauben gesicherte Serviceplatten nicht entfernen. Der Zugang zum Servicebereich ist auf Personen beschränkt, die das Gerät kennen und insbesondere in Hinblick auf Sicherheit und Hygiene über praktische Erfahrung verfügen.

### 2. ZUBEHÖR

	DIM-30DE-1	DIM-30DE-2
Bedienungsanleitung	1	1
Zulaufschlauch	1	1
Ablaufschlauch	1	1
1/2-3/4-Stutzen	1	1
Gerätefuß	4	4
Winkel	2	2
Montageschraube	2	2
Steckerabdeckung	0	1



### 3. AUSPACKEN

#### ⚠️ WARNUNG

Kinder sollten keinen Zugang zum Verpackungsmaterial (Kunststoffbeutel und Polystyrol) haben, da dieses eine mögliche Gefahrenquelle darstellt.

#### ⚠️ VORSICHT

Den Karton nicht an den Transportbändern anheben oder tragen.

Beim manuellen Bewegen des Gerätes die örtlichen Arbeitsvorschriften beachten und das Gerät beim Anheben an der Unterseite festhalten.

Beim Tragen des Gerätes stets Schutzhandschuhe tragen.

Um Verletzungen zu vermeiden, den Karton oder das ausgepackte Gerät stets zu zweit handhaben.

## HINWEIS

Versandkarton, Bänder und anderes Verpackungsmaterial entfernen. Der Eisdispenser funktioniert nicht ordnungsgemäß, wenn nicht alle Verpackungsmaterialien entfernt wurden.

- 1) Nach dem Entfernen der Verpackung ist sicherzustellen, dass sich der Eisdispenser in gutem Zustand befindet. Im Zweifelsfall den Eisdispenser nicht verwenden, sondern qualifiziertes Fachpersonal hinzuziehen.
- 2) Entfernen Sie die Kunststoffolie von der Außenseite. Falls der Eisdispenser der Sonne oder Wärme ausgesetzt war, die Folie erst nach Abkühlen des Eisdispensers abziehen.
- 3) Die Packung mit den Zubehörteilen herausnehmen. Den Inhalt anhand von „2. ZUBEHÖR“ überprüfen.

## 4. AUFSTELLORT

### ⚠ WARNUNG

Dieser Eisdispenser eignet sich nicht für den Gebrauch im Freien.

Der Eisdispenser darf nicht neben Öfen, Grills oder anderen Geräten aufgestellt werden, die Hitze erzeugen.

Dieses Gerät eignet sich nicht für die Aufstellung in Räumen, in denen ggf. ein Wasserstrahl benutzt wird.

Um Gefahren durch Instabilität des Gerätes zu vermeiden, sollte der Standort eine feste und ebene Grundfläche für den Eisdispenser bieten.

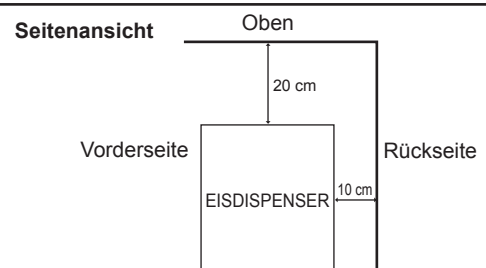
### HINWEIS

Keine Gegenstände auf die Deckplatte oder vor das Luftgitter des Eisdispensers stellen.

### WICHTIG

Die empfohlene Betriebsumgebungstemperatur liegt zwischen 1 °C und 40 °C. Aber dieser Eisdispenser kann bei 43 °C betrieben werden. Wasseranschluss ausschließlich kaltes Wasser. Längerer Gebrauch des Eisdispensers bei Temperaturen außerhalb dieser normalen Temperaturgrenzwerte kann die Produktionsleistung beeinträchtigen.

Die unten angegebenen Abstände einhalten, um eine optimale Luftzirkulation zu gewährleisten und die Wartung bzw. Pflege des Gerätes zu erleichtern.



In Umgebungen mit hoher Feuchtigkeit kann sich Kondenswasser im Gerät bilden und auf den Boden tropfen. Das Gerät nicht auf Böden aufstellen, die durch Wasser beschädigt werden können.

## 5. INSTALLATION

### ⚠ VORSICHT

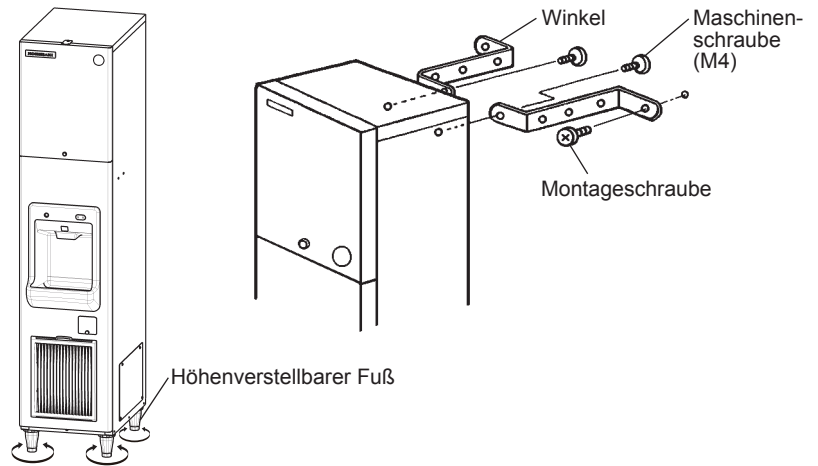
Eine falsche Installation kann zu Verletzungen von Menschen und Tieren oder zu Sachschäden führen, für die der Hersteller nicht haftet.

\* Den Eisdispenser am ausgesuchten permanenten Standort aufstellen.

\* Die vier Beine unten (verstellbar bis 4,5 cm) so einstellen, dass der Eisdispenser völlig horizontal steht. Eine Wasserwaage verwenden.

# DEUTSCH

\* Mit Winkeln (Zubehör) und Befestigungsschrauben (nicht im Lieferumfang) den Eisdispenser an der Wand sichern. Die Winkel entsprechend den Befestigungsbedingungen zurechtbiegen.



## 6. ELEKTRISCHE ANSCHLÜSSE

### ⚠ WARNUNG

#### **DIESES GERÄT MUSS GEERDET WERDEN**

Dieser Eisdispenser erfordert einen Schutzkontakt, der nationalen und lokalen Bestimmungen entspricht.

Um schwere Körperverletzungen und Gerätebeschädigungen infolge eines elektrischen Schlags zu vermeiden, ist ein ordnungsgemäßer Erdleiter am Eisdispenser anzubringen.

Die Stromversorgung ausschalten, bevor Wartungs-, Reparatur- oder Reinigungsarbeiten vorgenommen werden.

- \* Dieses Gerät benötigt eine separate Stromversorgung mit 220-240 V~, 10 A. Die Stromversorgung muss mit einem geeigneten Leistungsschutzschalter gesichert werden.
- \* Die Hauptsicherung im Schaltkasten ist für eine Stromstärke von 5 A ausgelegt und darf nur von einer autorisierten Fachkraft ausgetauscht werden.
- \* Normalerweise ist dies von einem Elektriker mit entsprechender Qualifikation auszuführen.

## Nur für das Vereinigte Königreich und die Republik Irland

### **WARNUNG: Das Gerät darf nur von Fachpersonal zerlegt oder modifiziert werden.**

\* Die Leitungen im Netzkabel sind nach dem folgenden Farbcode gekennzeichnet:

Grün & Gelb = Erde

Blau = Nullleiter

Braun = spannungsführender Leiter

Die Farben der Adern im Netzkabel dieses Geräts stimmen möglicherweise nicht mit den Farbmarkierungen der Klemmen im Stecker überein, daher wie folgt verfahren:

Der grün-gelbe Leiter ist an die Klemme anzuschließen, die mit dem Buchstaben E oder dem Symbol  $\perp$  bzw. grün oder gelb-grün markiert ist. Die blaue Ader ist an die Klemme anzuschließen, die mit dem Buchstaben N oder schwarz markiert ist. Die braune Ader ist an die Klemme anzuschließen, die mit dem Buchstaben L oder rot markiert ist.

\* Falls der mit dem Gerät gelieferte Stecker für die Netzsteckdose am Installationsort ungeeignet ist, muss er entfernt (bzw. wenn er verkapselt ist, abgeschnitten) und durch einen passenden Stecker ersetzt werden.

Ein abgeschnittener, verkapselter (nicht zugänglicher Stecker) muss entsorgt werden. Versuchen Sie nicht, ihn wiederzuverwenden. Durch die Verwendung eines solchen Steckers in einer anderen Steckdose besteht die Gefahr eines elektrischen Schlags.

\* Der verkapselte Stecker ist nie ohne angebrachte Sicherungsabdeckung zu verwenden.

Der richtige Ersatz für die abnehmbare Sicherungsabdeckung lässt sich anhand der Hersteller-Referenznummer ermitteln, die auf den Stecker gestanzt ist.

Ersatzabdeckungen für Sicherungen sind von Hoshizaki-Ersatzteil-/Service-Zentren erhältlich.

Sicherungen sollten mit 13 A ausgelegt sein und die Norm BS 1362 erfüllen.

## 7. WASSERZULAUF- UND WASSERABFLUSSANSCHLÜSSE

### ⚠ WARNUNG

Nur an die kalte Trinkwasserversorgung anschließen.

\* Die Anschlüsse an die Hauptwasserversorgung müssen entsprechend den Anforderungen der aktuellen Wasserversorgungs- oder Wasseranschlussbestimmungen ausgeführt werden.

\* Wasser für die Eisbereitung muss Trinkwasser sein. Wo Ablagerungen durch die Wasserqualität verursacht werden können, wird der Einbau eines externen Filters oder Weichmachers empfohlen. Wenden Sie sich an Ihren örtlichen Wasseraufbereitungsspezialisten oder an den Hoshizaki-Kundendienst.

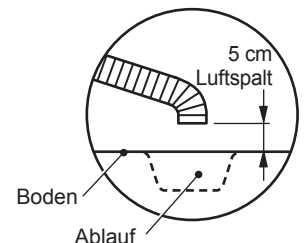
\* Der Druck in der Wasserzufuhrleitung muss mindestens 0,07 MPa (0,7 bar) und darf höchstens 0,78 MPa (7,8 bar) betragen. Bei einem höheren Druck als 0,78 MPa (7,8 bar) ist ein geeignetes Druckreduzierventil zu verwenden. Der Wasserzulauf am Hahn selbst darf **NICHT** gedrosselt werden.

\* In bestimmten Gebieten sind eine Installationsgenehmigung und die Dienste eines zugelassenen Installateurs erforderlich.

\* Der Abfluss des Wassers aus dem Eisdispenser erfolgt durch Schwerkraft, daher ist auf ein ausreichendes Gefälle des Ablaufschlauches zu achten.

\* Die Installation von Ablaufleitungen sollte nicht direkt in das Abwassersystem führen. Vom Ende der Ablaufschläuche des Eisdispensers sollte mindestens ein 5 cm hoher vertikaler Luftspalt zum Bodenablauf verbleiben.

\* Immer die mit dem Gerät gelieferte neue Schlauchgarnitur verwenden. Keine alten Schlauchgarnituren wiederverwenden.



# DEUTSCH

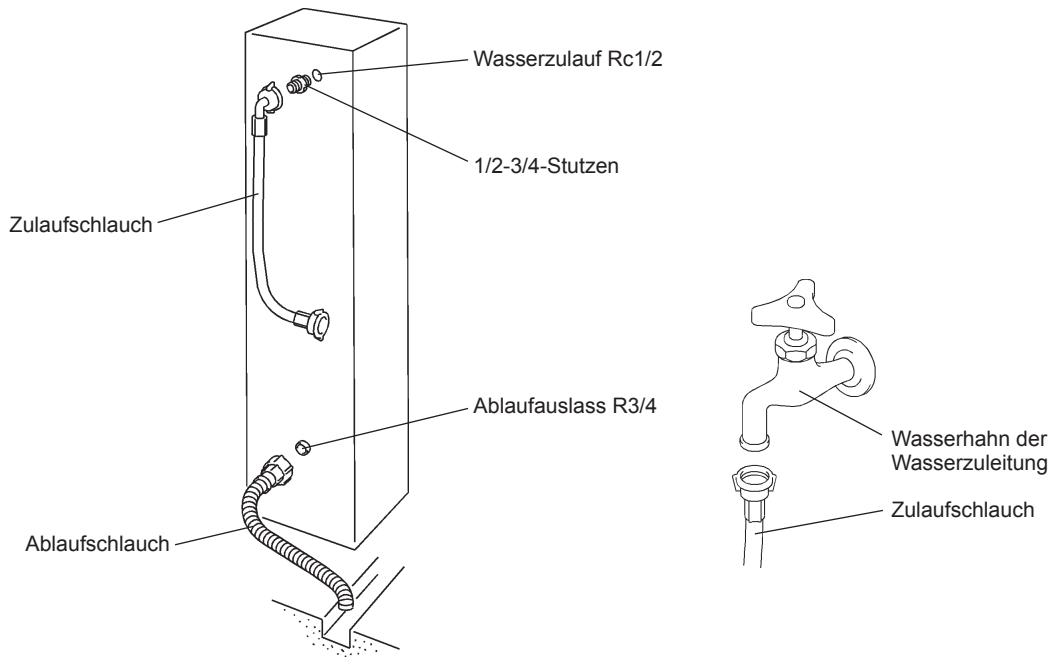
1) Mit einem geeigneten Schlüssel oder Schraubenschlüssel den 1/2-3/4-Stutzen (Zubehör) in den Rc1/2-Anschluss auf der Rückseite des Eisdispensers einschrauben (siehe Abbildung). P.T.F.E.-Band und/oder ein geeignetes Dichtmittel sind zu verwenden, um eine dichte Verbindung zu erhalten.

Hinweis: Dichtmittel müssen für den Gebrauch mit Trinkwasser genehmigt und geeignet sein.

2) Das abgewinkelte Ende des flexiblen Zulaufschlauches (Zubehör) auf das freie Ende des 1/2-3/4-Stutzens schrauben, dabei auf korrektes Positionieren des Gummidichtrings achten. Mit der Hand so anziehen, dass die Verbindung dicht ist.

3) Das andere Ende des Zulaufschlauches an den Wasserversorgungshahn schrauben, dabei auf die richtige Lage der Gummidichtung achten und mit der Hand anziehen (siehe oben).

4) Den grauen, flexiblen Ablaufschlauch (Zubehör) an den Anschluss R3/4 schrauben (siehe Abbildung). Dabei wieder darauf achten, dass die Gummidichtung richtig liegt, bevor man die Verbindung mit der Hand festzieht. Der Schlauch lässt sich auf die richtige Länge, d. h. der Position des Hauptabflusses entsprechend, zuschneiden.



**II. BEDIENUNGSANLEITUNG****HINWEIS**

Alle Komponenten wurden werksseitig eingestellt. Unsachgemäße Einstellarbeiten können die ordnungsgemäße Funktion des Eisdispensers beeinträchtigen.

Um eine Beschädigung des Verdichters zu vermeiden, nach dem Ausschalten des Eisdispensers mindestens 3 Minuten lang warten, bevor das Gerät wieder eingeschaltet wird.

**▲HYGIENE**

Dieser Eisdispenser ist für die Herstellung von Trinkwassereis konzipiert. Aus Gründen der Hygiene:

- \* Die Eisstation sauber halten. Stets ein neutrales Reinigungsmittel verwenden und gründlich abspülen.
- \* Der Vorratsbehälter ist ausschließlich für Eis zu verwenden. Nichts anderes im Vorratsbehälter aufbewahren und keine anderen elektrischen Geräte im Vorratsbehälter verwenden.
- \* Den Vorratsbehälter vor der Verwendung von qualifiziertem Fachpersonal reinigen lassen.
- \* Die Eisstation ist so konstruiert, dass eine Tasse, ein Glas oder ein anderer kleiner Behälter zur Aufnahme des Eises vom Eisdispenser darauf gestellt werden kann. Keine anderen Gegenstände auf die Eisstation stellen.

**1. INBETRIEBNAHME**

- 1) Den Wasserhahn aufdrehen.
- 2) Netzstecker des Eisdispensers anschließen und Netzschalter einschalten, um den Betrieb zu starten.
- 3) Nach 30 - 60 Minuten die Drucktaste drücken und das Gerät auf einwandfreie Eisausgabe prüfen.

**WICHTIG**

Bei gesperrter Wasserzufuhr oder zu niedrigem Wasserdruck produziert der Eisdispenser kein oder abnormales Eis. Immer einwandfreie Wasserzufuhr sicherstellen.

**2. EISAUSGABE**

- \* Zur Ausgabe von Eis die Drucktaste betätigen.
- \* Die Drucktaste nicht länger als 5 Minuten drücken. (Bei längerem Drücken als 5 Minuten wird die Ausgabefunktion vorübergehend unterbrochen. Diese Funktion soll dabei helfen, Beschädigungen des Gerätes zu vermeiden.)



## 3. MASSNAHMEN FÜR DIE LANGFRISTIGE LAGERUNG DES EISDISPENSERS

### HINWEIS

Dieser Eisdispenser arbeitet nicht bei Temperaturen unter Null. Um Schäden an der Wasserzulaufleitung zu vermeiden, ist das Wasser aus dem Eisdispenser abzulassen, sobald die Lufttemperatur unter 0 °C sinkt.

### ▲HYGIENE

Wird der Eisdispenser für zwei Tage oder länger ausgeschaltet, das Wasser aus dem Eisdispenser ablassen, um eine Verunreinigung des Wasserkreises zu vermeiden.

- 1) Wasserhahn der Wasserzulaufleitung schließen. Zulaufschlauch vom Wasserhahn abschrauben und das Wasser aus dem Schlauch ablaufen lassen.
- 2) Das Eis vollständig aus dem Vorratsbehälter entfernen.
- 3) Netzschalter ausschalten und den Eisdispenser vom Netz trennen.
- 4) Den Eisdispenser von einer qualifizierten Fachkraft entleeren lassen.

## III. WARTUNG

### 1. REINIGUNG

#### ▲ WARNUNG

Vor dem Durchführen irgendwelcher Reinigungs- oder Wartungsarbeiten immer den Netzstecker des Eisdispensers ziehen.

Dieses Gerät darf nicht mit einem Wasserstrahl gereinigt werden.

#### ▲ VORSICHT

Bei der Verwendung eines Neutralreinigers oder von Natriumhypochlorit die Hinweise zur Vermeidung von Gesundheitsschäden aufmerksam lesen und beachten.

#### HINWEIS

Den Eisdispenser mindestens zweimal im Jahr von qualifiziertem Fachpersonal reinigen und desinfizieren lassen, den Verflüssiger mindestens einmal im Jahr prüfen und reinigen lassen.

Um Beschädigungen zu vermeiden, Kunststoffteile nicht mit über 40 °C heißem Wasser oder in einem Geschirrspüler reinigen.

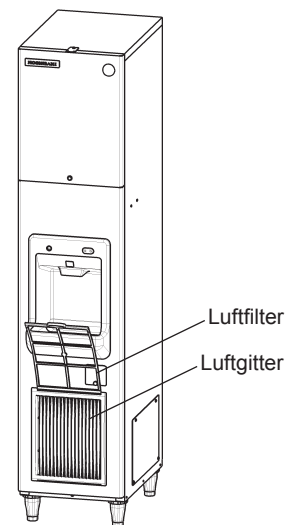
#### [a] Gerät und Außenseite des Vorratsbehälters

Alle Außenflächen mindestens einmal in der Woche mit einem sauberen, weichen Tuch abwischen. Fett- und Schmutzspuren mit einem feuchten Tuch und neutralem Reinigungsmittel entfernen.

#### [b] Luftfilter

Siebfilter aus Kunststoff entfernen Schmutz oder Staub aus der Luft und verhindern das Verstopfen des Verflüssigers. Wenn die Filter verstopfen, nimmt die Leistung des Eisdispensers ab. Die Luftfilter mindestens zweimal monatlich herausnehmen und reinigen:

- 1) Den Luftfilter aus der Filterführung im Luftgitter schieben.
- 2) Luftfilter mit einem Staubsauger reinigen. Falls er sehr verstopft ist, Luftfilter mit warmem Wasser und einem Neutralreiniger auswaschen.
- 3) Den Luftfilter gründlich abspülen und trocknen.



#### HINWEIS

Nach der Reinigung nicht vergessen, den Luftfilter wieder einzusetzen.

#### [c] Wasserkreislauf zur Eisherstellung

Um den Eisdispenser in einem hygienisch einwandfreien Zustand zu halten, wird empfohlen, den Wasserkreislauf zur Eisherstellung regelmäßig zu reinigen. Den Wasserkreislauf immer nur von geschultem Wartungspersonal reinigen lassen.

### 2. VOR ANRUF DES KUNDENDIENSTES

#### ▲ WARNUNG

Den Kältekreislauf nicht beschädigen.

Wenn der Eisdispenser nicht einwandfrei oder gar nicht funktioniert und keine Fehlercodeanzeige aufleuchtet, vor Benachrichtigung des Wartungsdienstes folgende Kontrollen durchführen:

# DEUTSCH

- \* Das Gerät wird mit Strom versorgt und der Netzschalter ist eingeschaltet.
- \* Das Gerät wird mit Wasser versorgt und der Wasserversorgungshahn ist geöffnet.
- \* Der Luftfilter ist sauber.

Wenn Sie weitere Hilfe oder Rat benötigen, wenden Sie sich an Ihren Hoshizaki-Kundendienst.

## 3. ENTSORGUNG

Die gesetzlichen Bestimmungen zur Entsorgung dieses Gerätes und des enthaltenen Kältemittelgases.

Richtige Entsorgung dieses Gerätes:

Dieses Kennzeichen bedeutet, dass dieses Gerät in der EU nicht mit dem normalen Haushaltsmüll entsorgt werden darf. Um Schäden der Umwelt oder der menschlichen Gesundheit durch unkontrollierte Müllbeseitigung zu vermeiden, recyceln Sie das Gerät und fördern Sie damit die nachhaltige Wiederverwertung von stofflichen Ressourcen. Nutzen Sie die Rückgabe- und Sammelsysteme oder wenden Sie sich an den Händler, bei dem Sie das Gerät gekauft haben, um das gebrauchte Gerät zurückzugeben. Dort wird das Gerät der umweltfreundlichen Wiederverwertung zugeführt.



## 4. GEWÄHRLEISTUNG

Hoshizaki garantiert dem Originalbesitzer/-benutzer, dass alle Markenprodukte von Hoshizaki für die Dauer der „Garantiezeit“ frei von Material- und/oder Verarbeitungsfehlern sind. Die Garantie gilt für zwei Jahre ab Datum der Installation. Die Haftung von Hoshizaki nach diesen Garantiebedingungen ist begrenzt. Sie schließt Routinewartung und Reinigung sowie Wartungs- und/oder Reparaturarbeiten aus, die durch missbräuchliche Benutzung oder fehlerhafte Installation verursacht worden sind.

Garantiereparaturen sind von einem zugelassenen Hoshizaki-Händler oder -Kundendienst mit Hoshizaki-Originalbauteilen auszuführen.

Für vollständige Informationen zur Gewährleistung und zugelassene Kundendienste wenden Sie sich bitte an Ihren Händler/ Lieferanten oder den nächstgelegenen Hoshizaki-Kundendienst:

### Europa, Naher Osten, Afrika

Hoshizaki UK - Großbritannien, Irland  
TEL: +44 845 456 0585  
FAX: +44 132 283 8331  
uksales@hoshizaki.co.uk

Hoshizaki Middle East - Naher Osten  
TEL: +971 48 876 612  
FAX: +971 48 876 613  
sales@hoshizaki.ae

Hoshizaki Deutschland - Deutschland, Schweiz, Österreich  
TEL: +49 2154 92810  
FAX: +49 2154 928128  
info@hoshizaki.de

Hoshizaki Nederland & België - Niederlande, Belgien, Luxemburg  
TEL: +31 20 5650420 (Niederlande)  
TEL: +32 2 712 30 30 (Belgien)  
FAX: +31 20 6918768  
sales@hoshizaki.nl (Niederlande)  
info@hoshizaki.be (Belgien)

Hoshizaki France - Frankreich  
TEL: +33 1 48 63 93 80  
FAX: +33 1 48 63 93 88  
info@hoshizaki.fr

Hoshizaki Iberia - Spanien, Portugal  
TEL: +34 93 478 09 52  
FAX: +34 93 478 08 00  
info@hoshizaki.es

Hoshizaki Europe B.V. - alle anderen Länder innerhalb Europa und Afrika  
TEL: +31 20 6918499  
FAX: +31 20 6918768  
sales@hoshizaki.nl

### Asien, Ozeanien

Hoshizaki Singapore  
TEL: +65 6225 2612  
FAX: +65 6225 3219

Hoshizaki Hong Kong  
TEL: +852 2866-2108  
FAX: +852 2866-2109

Hoshizaki Taiwan  
TEL: +886 2 2706 8818  
FAX: +886 2 2708 7999

Hoshizaki Lancer  
TEL: +61 8 8268 1388  
FAX: +61 8 8268 1978

## TECHNISCHE DATEN

Modell	DIM-30DE-1	DIM-30DE-2
Typ	Luftgekühlt, Würfeleis	Luftgekühlt, Würfeleis
Stromversorgung	1-Phase 220-240 V / 230 V / 50/60 Hz	1-Phase 220-240 V / 230 V / 50/60 Hz
Anschlussleistung	320 / 330 W	320 / 340 W
Eisproduktion in 24 Std.	32 kg (5 mm) / 34 kg (5 mm) (Umgebung 10 °C, Wasser 10 °C)	40 kg (5 mm) / 42 kg (5 mm) (Umgebung 10 °C, Wasser 10 °C)
Abmessungen	350 mm(B) x 500 mm(T) x 1.600 mm(H)	350 mm(B) x 500 mm(T) x 1.600 mm(H)
Kältemittel	R134a, 0,19 kg (GWP: 1.430, CO2: 0,272 t)	R134a, 0,20 kg (GWP: 1.430, CO2: 0,286 t)
Isolierschaum-Treibmittel	FKW-frei	FKW-frei
Gewicht	Netto: 65 kg (Brutto: 71 kg)	Netto: 65 kg (Brutto: 71 kg)
Umgebungstemp	1 - 40 °C	1 - 40 °C
Wasserzufuhrtemp	5 - 35 °C	5 - 35 °C
Wasserzufuhrdruck	0,07 - 0,78 MPa (0,7 - 7,8 bar)	0,07 - 0,78 MPa (0,7 - 7,8 bar)
Versorgungsspannungsbereich	Nennspannung ± 6 / 10 %	Nennspannung ± 6 / 10 %

**Dieses Produkt enthält ein hermetisch abgeschlossenes Kältesystem mit fluorierten Treibhausgasen.**

# NEDERLANDS

## BELANGRIJKE VEILIGHEIDSINFORMATIE

Overal in deze handleiding treft u opmerkingen aan die uw aandacht willen vestigen op situaties die zouden kunnen resulteren in overlijden, ernstig letsel of schade aan de machine.

<b>▲WAARSCHUWING</b>	Geeft een gevaarlijke situatie aan die, als deze niet wordt vermeden, zou kunnen resulteren in overlijden of ernstig letsel.
<b>▲VOORZICHTIG</b>	Geeft een gevaarlijke situatie aan die, als deze niet wordt vermeden, zou kunnen resulteren in licht of middelzwaar letsel.
<b>LET OP</b>	Geeft een gevaarlijke situatie aan die, als deze niet wordt vermeden, zou kunnen resulteren in schade aan de machine.
<b>▲HYGIËNE</b>	Geeft belangrijke voorzorgsmaatregelen aan met betrekking tot de hygiëne en voedselveiligheid.
<b>BELANGRIJK</b>	Geeft belangrijke informatie aan over het gebruik en de verzorging van de machine.

### BELANGRIJK

Dit boekje vormt een integraal en essentieel onderdeel van het product en moet goed worden bewaard door de gebruiker.

Lees de richtlijnen en waarschuwingen in dit boekje zorgvuldig door, aangezien deze zijn bedoeld om de installateur/gebruiker te voorzien van essentiële informatie voor een correcte installatie, alsmede voor een veilig gebruik en onderhoud van het product op de lange termijn.

Bewaar dit boekje zodat u het later, indien nodig, opnieuw kunt raadplegen.

### ▲WAARSCHUWING

Dit is een ijsdispenser voor commerciële doeleinden en deze machine dient uitsluitend te worden gebruikt voor de toepassingen waarvoor deze is ontworpen.

Enige andere vorm van gebruik wordt als ongeschikt en dus gevaarlijk beschouwd. De fabrikant kan niet aansprakelijk of verantwoordelijk worden gesteld voor enige schade die ontstaat door ongeschikt, incorrect en onredelijk gebruik.

**De installatie en eventuele verplaatsing van de ijsdispenser mag uitsluitend door gekwalificeerd personeel** en overeenkomstig de plaatselijk geldende voorschriften worden uitgevoerd, waarbij de instructies van de fabrikant dienen te worden gevolgd.

Houd ventilatieopeningen, zowel in de behuizing van de machine als in de inbouwstructuur, vrij van obstakels.

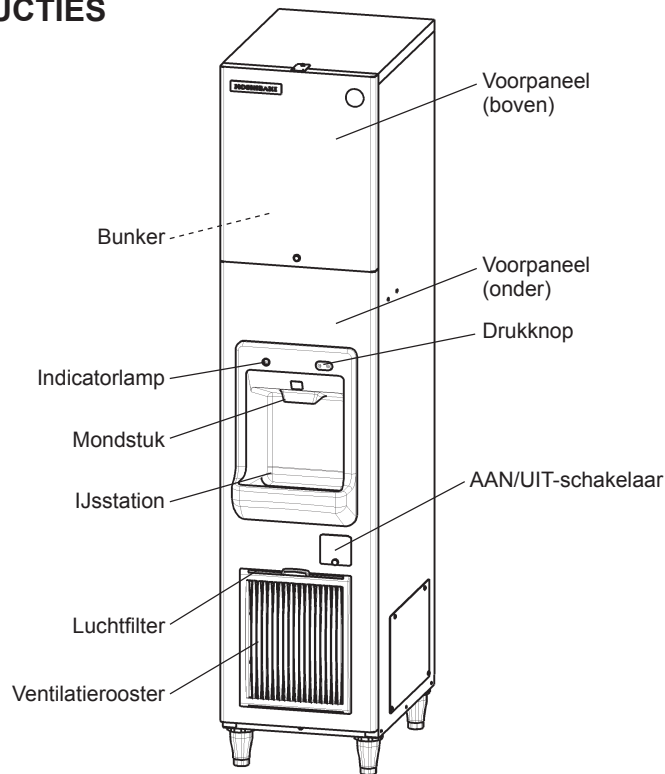
Bij het gebruik van elektrische apparaten moeten bepaalde regels in acht worden genomen. In het bijzonder:

- \* Vocht en hoge luchtvochtigheid verhogen de kans op kortsluiting en elektrische schokken. Trek de stekker van de machine uit het stopcontact als u niet zeker bent van de condities in de ruimte waar de machine is geplaatst.
- \* Voorkom beschadiging van de voedingskabel en trek uitsluitend aan de stekker en niet aan de voedingskabel zelf als u de ijsdispenser van de netvoeding wilt loskoppelen.
- \* Als de voedingskabel beschadigd is, moet deze worden vervangen door een vervangende kabel die verkrijgbaar is bij de onderdelen- en servicecentra van Hoshizaki.
- \* Raak de elektrische onderdelen of de schakelaars niet met vochtige handen aan.
- \* Dit apparaat is niet bedoeld om te worden gebruikt door personen (waaronder kinderen) met een verminderde lichamelijke, zintuiglijke of mentale capaciteit of een gebrek aan ervaring en kennis. Het kan echter wel worden gebruikt door kinderen vanaf 8 jaar en door personen met een verminderde lichamelijke, zintuiglijke of mentale capaciteit of een gebrek aan ervaring en kennis, mits zij onder toezicht staan van een persoon die verantwoordelijk is voor hun veiligheid of deze persoon hen instrueert hoe het apparaat te gebruiken.
- \* Kinderen mogen niet met het apparaat spelen.
- \* Reiniging en gebruikersonderhoud mag niet zonder toezicht door kinderen worden uitgevoerd.
- \* Probeer niet de ijsdispenser aan te passen. Alleen bevoegd personeel mag het apparaat demonteren of repareren.

# NEDERLANDS

## I. INSTALLATIE-INSTRUCTIES

### 1. CONSTRUCTIE

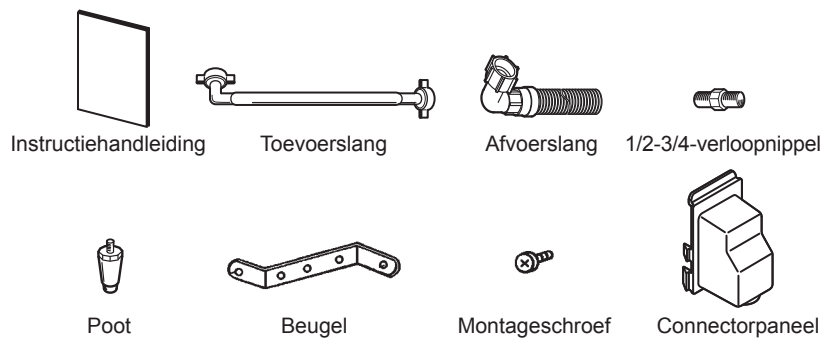


### BELANGRIJK

Verwijder geen servicepanelen die met schroeven zijn bevestigd. Toegang tot het servicegebied alleen toegestaan voor personen die kennis van en praktische ervaring met het apparaat hebben, met name wanneer het de veiligheid en hygiëne betreft.

### 2. TOEBEHOREN

	DIM-30DE-1	DIM-30DE-2
Instructiehandleiding	1	1
Toevoerslang	1	1
Afvoerslang	1	1
1/2-3/4-verloopnippel	1	1
Poot	4	4
Beugel	2	2
Montageschroef	2	2
Connectorpaneel	0	1



### 3. UITPAKKEN

### ⚠ WAARSCHUWING

Kinderen moeten buiten het bereik van het verpakkingsmateriaal (plastic zakken en geëxpandeerd polystyreen) worden gehouden aangezien dit mogelijke bronnen van gevaar zijn.

## ⚠ VOORZICHTIG

Til de doos niet op en verplaats deze niet met behulp van de transportbanden.

Houd u bij het handmatig verplaatsen van de eenheid aan lokale/nationale richtlijnen en houd de eenheid bij het tillen vast aan de basis.

Draag altijd beschermende handschoenen bij het dragen van de machine.

Werk met zijn tweeën bij het verplaatsen van de doos of de uitgekakte machine om letsel te voorkomen.

## LET OP

Verwijder kartonnen doos, tape en ander verpakkingsmateriaal. Als er verpakkingsmateriaal in de ijsdispenser achterblijft, zal deze niet goed werken.

- 1) Controleer, nadat u de verpakking hebt verwijderd, of de ijsdispenser in goede staat verkeert. Gebruik de ijsdispenser niet in geval van twijfel, maar neem contact op met een bevoegde servicemedewerker.
- 2) Verwijder de beschermende folie van de buitenkant van de machine. Indien de ijsdispenser is blootgesteld aan zonlicht of hitte, mag de beschermfolie pas worden verwijderd nadat de machine is afgekoeld.
- 3) Verwijder het pakket met de accessoires. Controleer de inhoud aan de hand van "2. TOEBEHOREN".

## 4. PLAATSING

### ⚠ WAARSCHUWING

De ijsdispenser is niet bestemd voor gebruik buitenshuis.

De machine mag niet naast een oven, grill of andere apparatuur die veel warmte afgeeft, worden geplaatst.

Deze machine is niet geschikt om in een ruimte te worden geïnstalleerd die met een waterstraal wordt schoongespoten.

Plaats de ijsdispenser waterpas op een stevige ondergrond om risico's als gevolg van instabiliteit te vermijden.

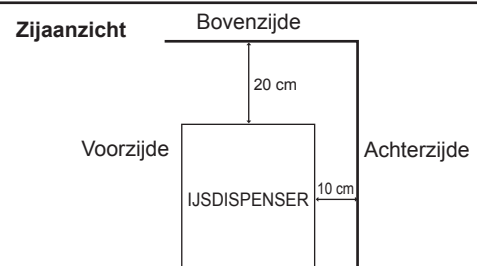
### LET OP

Plaats geen andere apparaten of voorwerpen boven op de machine of voor het ventilatorrooster.

### BELANGRIJK

De aanbevolen omgevingstemperatuur ligt tussen 1 en 40 °C. Deze ijsdispenser kan echter bij een temperatuur tot 43 °C worden gebruikt. Sluit de machine alleen aan op een leiding voor koud water. Bediening van de ijsdispenser gedurende langere perioden buiten dit normale temperatuurbereik kan de productiecapaciteit beïnvloeden.

Houd aan de bovenkant de vrije ruimte aan die hieronder staat vermeld. Dit zorgt voor een optimale luchtcirculatie en vergemakkelijkt onderhouds- en/of reparatiewerkzaamheden.



In sommige zeer vochtige omgevingen kan condensvorming optreden in de machine die vervolgens op de vloer druipt. Installeer de ijsmachine niet in een ruimte waar de vloer kan worden aangetast door water.



## 5. INSTALLATIE

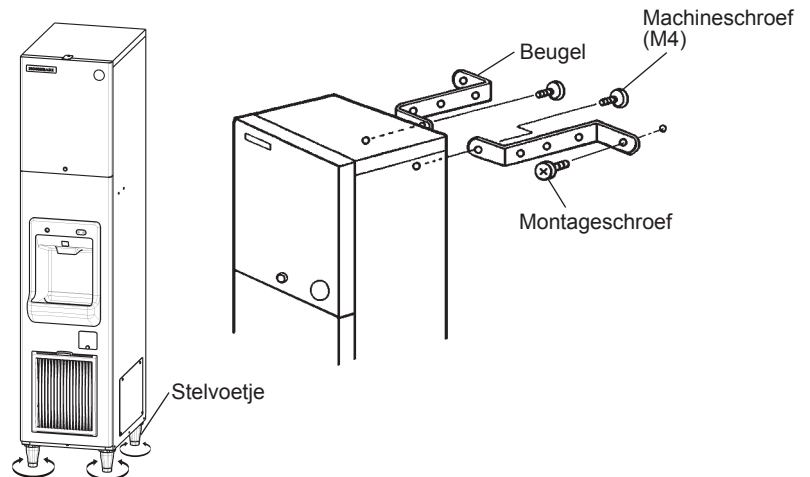
### ⚠ VOORZICHTIG

Onjuiste installatie van de ijsmachine kan schade toebrengen aan mens, dier en omgeving. De fabrikant aanvaardt geen aansprakelijkheid voor schade en/of letsel ten gevolge van het onjuist installeren van de machine.

\* Plaats de ijsdispenser op een permanente locatie.

\* Stel de vier poten aan de onderkant (instelbaar tot 4,5 cm) zodanig af dat de ijsdispenser volledig horizontaal staat. Gebruik een waterpas.

\* Bevestig de ijsdispenser aan de wand met behulp van de beugels (meegeleverd) en montageschroeven (niet meegeleverd). Buig de beugels in de juiste stand voor de installatie.



## 6. ELEKTRISCHE AANSLUITINGEN

### ⚠ WAARSCHUWING

#### DEZE MACHINE MOET WORDEN GEAARD

Deze ijsdispenser moet worden geaard volgens de geldende voorschriften.

Ter voorkoming van ernstig persoonlijk letsel en materiële schade als gevolg van elektrische schokken, dient de ijsdispenser te worden voorzien van een correct aangebrachte aardleiding.

Verwijder de stekker uit het stopcontact voordat u onderhouds-, reparatie- of reinigingswerkzaamheden gaat uitvoeren.

\* Deze machine vereist een aparte voeding van 220 - 240 V wisselstroom, 10 A. Het stopcontact moet worden beschermd door een geschikte stroomonderbreker.

\* De hoofdzekering van de besturingskast heeft een nominale waarde van 5 A en mag alleen worden vervangen door een erkende onderhoudsmonteur.

\* Normaal gesproken dient men te beschikken over de juiste vergunningen en/of de hulp in te roepen van een erkende elektricien.

## Alleen voor het Verenigd Koninkrijk en Ierland

### **WAARSCHUWING: Alleen bevoegd personeel mag het apparaat demonteren of aanpassen.**

- \* De draden van de netvoeding hebben een kleurcode:

Groen/geel = aarde

Blauw = neutraal

Bruin = stroomvoerend

Als de gekleurde draden in de voedingskabel van deze machine zijn aangesloten op stekkerpolen met een afwijkende kleur, dient u het volgende te doen:

Sluit de groen/gele draad in de stekker aan op de groen/gele of groene stekkerpool of anders op de stekkerpool die is aangeduid met de letter E of het symbool  $\frac{\perp}{-}$ . Sluit de blauwe draad aan op de zwarte stekkerpool of op de stekkerpool die is aangeduid met de letter N. Sluit de bruine draad aan op de rode stekkerpool of op de stekkerpool die is aangeduid met de letter L.

- \* Als het stopcontact waarop u de ijsmachine wilt aansluiten, niet geschikt is voor de stekker die aan de voedingskabel van de ijsmachine zit, dient de stekker te worden verwijderd (een gegoten stekker wordt afgesneden) en vervangen door een geschikte stekker.

De gegoten stekker die van de voedingskabel is afgesneden, moet worden weggegooid. Hij mag niet opnieuw worden gebruikt. Wanneer deze stekker elders in een stopcontact wordt gestoken, zorgt dit voor een groot risico van elektrische schokken.

- \* De gegoten stekker mag uitsluitend in combinatie met een zekeringhouder worden gebruikt.

Het referentienummer van de fabrikant is in de stekker ingeslagen. In geval u de zekeringhouder vervangt, dient een vervangend exemplaar van hetzelfde type te worden gebruikt.

Zekeringhouders zijn te verkrijgen via de onderdelen- en servicecentra van Hoshizaki.

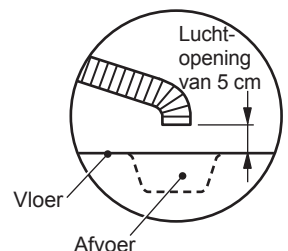
Gebruik zekeringen van 13 A die zijn goedgekeurd volgens BS 1362.

## 7. AANSLUITING VAN WATERTOEOVOER- EN WATERAFVOERLEIDINGEN

### ▲ WAARSCHUWING

Mag alleen worden aangesloten op een drinkwaterleiding voor koud water.

- \* De aansluitingen op de drinkwaterleiding moeten worden uitgevoerd in overeenstemming met de huidige vereisten van het land in de regelgeving met betrekking tot watertoevoer of -accessoires.
- \* Het water om ijs mee te maken moet drinkwater zijn. Wanneer door de waterkwaliteit verkalking kan worden veroorzaakt, wordt aanbevolen een extern filter of waterontharder te gebruiken. Neem contact op met uw plaatselijke waterbehandelingsspecialist of Hoshizaki-servicebedrijf.
- \* De watertoevoerdruk moet ten minste 0,07 MPa (0,7 bar) bedragen en mag niet hoger dan 0,78 MPa (7,8 bar) zijn. Als de waterdruk hoger is dan 0,78 MPa (7,8 bar), moet gebruik worden gemaakt van een reduceerventiel. De watertoevoerkraan mag voor dit doel NIET gedeeltelijk worden dichtgedraaid.
- \* In sommige gebieden kan een loodgietersvergunning of het inschakelen van een erkende loodgieter verplicht zijn.
- \* De waterafvoer van de ijsdispenser stroomt onder natuurlijk verval, dus zorg ervoor dat de afvoerslang voldoende verval heeft.
- \* Afvoerleidingen mogen niet rechtstreeks op de riolering worden aangesloten. Houd een verticale luchtopening van minimaal 5 cm aan tussen het uiteinde van de afvoerslangen van de ijsdispenser en de vloerafvoer.
- \* Gebruik de nieuwe slangensets die met het apparaat zijn meegeleverd. Gebruik oude slangensets niet opnieuw.



# NEDERLANDS

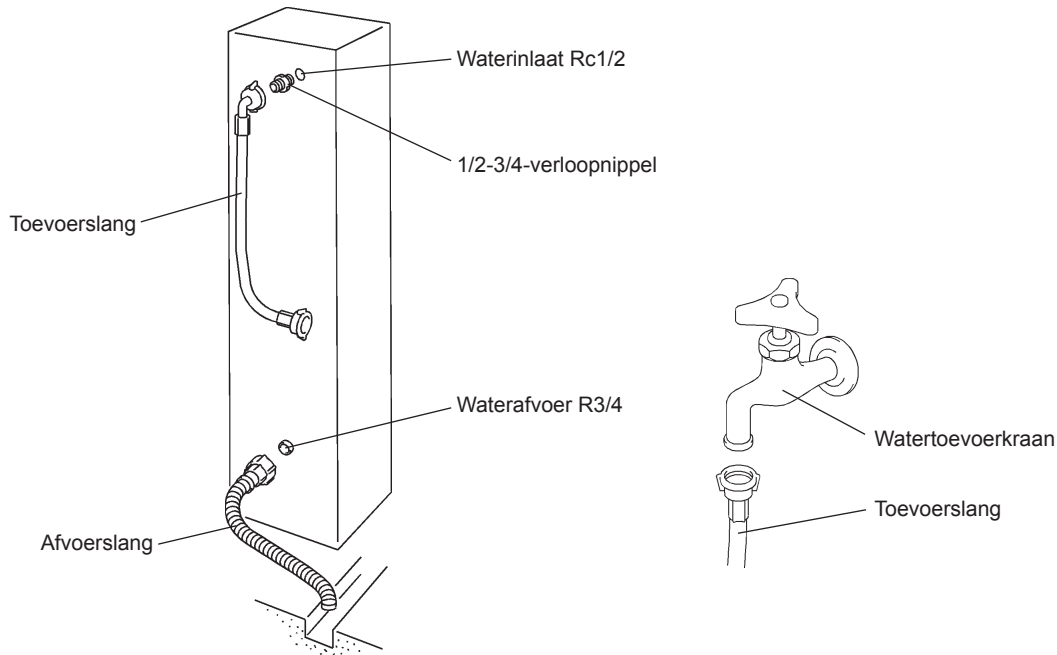
1) Draai de 1/2"-3/4"-nippel (meegeleverd) met behulp van een geschikte (schroef)sleutel in de Rc1/2"-aansluiting aan de achterkant van de ijsdispenser, zoals weergegeven. Voor een lekvrije verbinding moet PTFE-tape en/of een geschikte afdichtingspasta worden gebruikt.

Opmerking: de koppelingselementen moeten zijn goedgekeurd en moeten geschikt zijn voor gebruik met drinkwater.

2) Bevestig het gebogen uiteinde van de flexibele toevoerslang (meegeleverd) aan de 1/2-3/4-verloopnippel. Let er daarbij op dat de rubberen afdichting goed is aangebracht. Voorkom lekkage door de aansluiting handvast aan te draaien.

3) Bevestig het andere uiteinde van de toevoerslang aan de waterkraan. Zorg ervoor dat de afdichting goed is aangebracht voordat u de aansluiting handvast aandraait (zoals hierboven beschreven).

4) Draai de flexibele grijze afvoerslang (meegeleverd) handvast aan op de R3/4-aansluiting, zoals aangegeven. Zorg er daarbij voor dat de rubber afdichtingsring goed is aangebracht voor een lekvrije aansluiting. De slang kan zo nodig op lengte worden gesneden voor een passende aansluiting op de hoofdafvoer.



**II. BEDIENINGSINSTRUCTIES****LET OP**

Alle onderdelen zijn in de fabriek afgesteld. Onjuiste aanpassingen kunnen leiden tot storingen. Om schade aan de compressor te voorkomen, dient u ten minste 3 minuten te wachten met het opnieuw inschakelen van de ijsdispenser nadat deze is uitgeschakeld.

**▲HYGIËNE**

Deze ijsdispenser is bestemd voor de productie van consumptieijs. Neem de volgende punten in acht om de machine hygiënisch schoon te houden:

- \* Houd het ijsstation schoon. Gebruik voor het reinigen een neutraal reinigingsmiddel en spoel grondig na.
- \* De bunker is uitsluitend bestemd voor de opslag van ijs. Bewaar geen andere zaken in de bunker en gebruik geen elektrische apparaten in de bunker.
- \* Vraag een bevoegde servicemedewerker om de opslagbunker voor gebruik schoon te maken.
- \* Het ijsstation is ontworpen om ijs op te vangen in een beker, glas of andere kleine container. Plaats niets anders op het ijsstation.

**1. OPSTARTEN**

- 1) Draai de watertoevoerkraan open.
- 2) Steek de stekker van de ijsdispenser in het stopcontact en draai aan de AAN/UIT-schakelaar om de machine te starten.
- 3) Druk na 30 - 60 minuten op de drukknop en controleer of de ijsblokjes correct worden uitgevoerd.

**BELANGRIJK**

Als de watertoevoer is afgesloten of als de waterdruk te laag is, produceert de ijsmachine geen of abnormaal ijs. Zorg altijd voor een goede watertoevoer.

**2. IJSAFGIFTE**

- \* Druk op de drukknop om de ijsafgifte te starten.
- \* Houd de drukknop niet langer dan 5 minuten ingedrukt. (Als langer dan 5 minuten op deze knop wordt gedrukt, kunnen tijdelijk geen ijsblokjes worden uitgevoerd. Hierdoor wordt beschadiging van het apparaat voorkomen.)

## 3. DE IJSMACHINE GEREEDMAKEN VOOR LANGDURIGE OPSLAG

### LET OP

Deze ijsdispenser werkt niet bij temperaturen onder het vriespunt. Voorkom schade aan de watertoevoerleiding door het water uit de ijsdispenser af te tappen zodra de luchttemperatuur onder 0 °C daalt.

### ▲HYGIËNE

Als de ijsdispenser twee dagen of langer wordt uitgeschakeld, tapt u het water af uit de ijsdispenser om verontreiniging in het watercircuit te voorkomen.

- 1) Draai de waterkraan dicht. Koppel de toevoerslang los van de waterkraan en verwijder het water uit de slang.
- 2) Verwijder alle ijs uit de bunker.
- 3) Zet de AAN/UIT-schakelaar op UIT en haal de stekker van de ijsdispenser uit het stopcontact.
- 4) Vraag een bevoegde servicemedewerker om de ijsdispenser schoon te maken.

## III. ONDERHOUD

### 1. REINIGING

#### ▲ WAARSCHUWING

Haal de stekker van de machine uit het stopcontact voordat u met reinigings- of onderhoudswerkzaamheden begint.

Deze machine mag niet worden gereinigd met behulp van een waterstraal of hogedrukreiniger.

#### ▲ VOORZICHTIG

Bij gebruik van een neutraal schoonmaakmiddel of natriumhypochloriet leest u de meegeleverde instructies zorgvuldig door totdat u deze begrijpt om mogelijke gezondheidsproblemen te voorkomen.

#### LET OP

Het watersysteem van de ijsdispenser moet ten minste tweemaal per jaar worden gereinigd en gezuiverd door een professioneel onderhoudsmonteur. Daarnaast moet de condensor ten minste eenmaal per jaar worden gecontroleerd en gereinigd.

Voorkom mogelijke schade door de kunststof onderdelen niet met water warmer dan 40 °C of in een afwasmachine te reinigen.

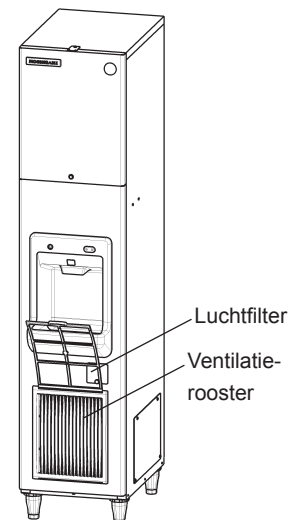
#### [a] Machine en buitenkant bunker

Reinig de buitenkant van de ijsmachine minstens eenmaal per week met een schone, zachte doek. Gebruik een vochtige doek met wat neutraal reinigingsmiddel voor het verwijderen van vet en vuil.

#### [b] Luchtfilter

Kunststof luchtfilters halen vuil en stof uit de lucht en voorkomen dat de condensor verstopt raakt. Als de filters verstopt raken, gaat de ijsdispenser minder goed werken. Het luchtfilter of de luchtfilters moeten minstens tweemaal per maand worden verwijderd en gereinigd:

- 1) Schuif het luchtfilter via de filtergeleider van het ventilatierooster.
- 2) Reinig het luchtfilter met een stofzuiger. Gebruik bij ernstige vervuiling warm water en een neutraal schoonmaakmiddel om het luchtfilter schoon te maken.
- 3) Spoel het luchtfilter schoon en droog het zorgvuldig af.



#### LET OP

Plaats het luchtfilter na reiniging weer terug.

#### [c] Watersysteem voor het maken van ijs

Het wordt geadviseerd regelmatig het watersysteem voor het maken van ijs te reinigen zodat de ijsmachine schoon blijft. Vraag altijd een bevoegde servicetechnicus om het watersysteem schoon te maken.

### 2. VOORDAT U BELT VOOR SERVICE

#### ▲ WAARSCHUWING

Beschadig het koelmiddelcircuit niet.

Als de ijsdispenser niet goed of helemaal niet werkt en er wordt geen foutcode aangegeven op het display, controleert u het volgende voordat u contact opneemt met de serviceorganisatie:

# NEDERLANDS

- \* De machine heeft stroom en de aan/uitschakelaar is ingeschakeld.
- \* Er wordt water toegevoerd naar de machine en de watertoevoerkraan is open.
- \* Het luchtfilter is schoon.

Neem voor nadere assistentie of advies contact op met uw plaatselijke Hoshizaki-serviceagent.

## 3. VERWIJDERING

Houd u aan de lokale voorschriften met betrekking tot de verwijdering van het apparaat en zijn koelmiddelgas.

Juiste verwijdering van dit product:

Deze markering geeft aan dat dit product binnen de EU niet samen met ander huishoudelijk afval mag worden afgevoerd. Teneinde mogelijke milieuschade of schade aan de menselijke gezondheid ten gevolge van ongecontroleerde afvoer van afvalstoffen te vermijden, dient u het apparaat op verantwoorde wijze te recyclen om het duurzame hergebruik van materialen mogelijk te maken. U kunt uw gebruikte apparaat terugsturen via de bestaande systemen voor retournering en inzameling, of u kunt contact opnemen met de detailhandelaar waar het product is aangeschaft. Zij kunnen dit product innemen voor milieuveilige recycling.



## 4. GARANTIE

Hoshizaki garandeert de oorspronkelijke eigenaar/gebruiker dat alle producten van het merk Hoshizaki vrij zijn van materiaal- en/of productiefouten voor de duur van de "garantieperiode". De garantie is twee jaar geldig gerekend vanaf de installatiedatum. De aansprakelijkheid van Hoshizaki in het kader van de garantie is beperkt en omvat geen routineonderhoud, reiniging, essentieel onderhoud en/of reparaties ten gevolge van onjuist gebruik en installaties die niet volgens de richtlijnen van Hoshizaki zijn uitgevoerd.

Reparaties in het kader van de garantie moeten worden uitgevoerd door een goedgekeurde Hoshizaki-dealer of serviceorganisatie met behulp van authentieke Hoshizaki-onderdelen.

Voor volledige informatie over uw garantie en over goedgekeurde servicebedrijven, raadpleegt u uw dealer/leverancier of de dichtstbijzijnde vestiging van Hoshizaki.

### Europa, Midden-Oosten, Afrika

Hoshizaki UK - Verenigd Koninkrijk, Ierland  
TEL: +44 845 456 0585  
FAX: +44 132 283 8331  
uksales@hoshizaki.co.uk

Hoshizaki Middle East - Midden-Oosten  
TEL: +971 48 876 612  
FAX: +971 48 876 613  
sales@hoshizaki.ae

Hoshizaki Deutschland - Duitsland, Zwitserland, Oostenrijk  
TEL: +49 2154 92810  
FAX: +49 2154 928128  
info@hoshizaki.de

Hoshizaki Nederland & België - Nederland, België, Luxemburg  
TEL: +31 20 5650420 (Nederland)  
TEL: +32 2 712 30 30 (België)  
FAX: +31 20 6918768  
sales@hoshizaki.nl (Nederland)  
info@hoshizaki.be (België)

Hoshizaki France - Frankrijk  
TEL: +33 1 48 63 93 80  
FAX: +33 1 48 63 93 88  
info@hoshizaki.fr

Hoshizaki Iberia - Spanje, Portugal  
TEL: +34 93 478 09 52  
FAX: +34 93 478 08 00  
info@hoshizaki.es

Hoshizaki Europe B.V. - alle overige landen in Europa en Afrika  
TEL: +31 20 6918499  
FAX: +31 20 6918768  
sales@hoshizaki.nl

### Azië, Oceanië

Hoshizaki Singapore  
TEL: +65 6225 2612  
FAX: +65 6225 3219

Hoshizaki Hong Kong  
TEL: +852 2866-2108  
FAX: +852 2866-2109

Hoshizaki Taiwan  
TEL: +886 2 2706 8818  
FAX: +886 2 2708 7999

Hoshizaki Lancer  
TEL: +61 8 8268 1388  
FAX: +61 8 8268 1978

## SPECIFICATIES

Model	DIM-30DE-1	DIM-30DE-2
Type	Luchtgekoeld, ijsblokjes	Luchtgekoeld, ijsblokjes
Stroomvoorziening	1-fase 220-240/230 V 50/60 Hz	1-fase 220-240/230 V 50/60 Hz
Stroomverbruik	320/330 W	320/340 W
IJsproductie per 24 uur	32 kg (5 mm) / 34 kg (5 mm) (omgevingstemperatuur 10 °C, water 10 °C)	40 kg (5 mm) / 42 kg (5 mm) (omgevingstemperatuur 10 °C, water 10 °C)
Afmetingen	350 mm (B) x 500 mm (D) x 1.600 mm (H)	350 mm (B) x 500 mm (D) x 1.600 mm (H)
Koelmiddel	R134a, 0,19 kg (GWP: 1.430, CO2: 0,272 t)	R134a, 0,20 kg (GWP: 1.430, CO2: 0,286 t)
Schuimmiddel isolatieschuim	HFC-vrij	HFC-vrij
Gewicht	Netto: 65 kg (bruto: 71 kg)	Netto: 65 kg (bruto: 71 kg)
Omgevingstemperatuur	1 - 40 °C	1 - 40 °C
Watertemperatuur	5 - 35 °C	5 - 35 °C
Waterdruk	0,07 - 0,78 MPa (0,7 - 7,8 bar)	0,07 - 0,78 MPa (0,7 - 7,8 bar)
Spanningsbereik	Nominale spanning ± 6%/10%	Nominale spanning ± 6%/10%

**Dit product bevat een hermetisch afgesloten koelsysteem dat gefluorineerde broeikasgassen bevat.**



## INFORMACIÓN IMPORTANTE DE SEGURIDAD

A lo largo de este manual aparecerán avisos para llamar su atención sobre situaciones que podrían tener como consecuencia la muerte, heridas graves o daños en la unidad.

<b>▲ADVERTENCIA</b>	Indica una situación peligrosa que, de no evitarse, podría tener como resultado la muerte o heridas graves.
<b>▲ATENCIÓN</b>	Indica una situación peligrosa que, de no evitarse, podría tener como resultado heridas leves o moderadas.
<b>AVISO</b>	Indica una situación peligrosa que, de no evitarse, podría tener como resultado daños en la unidad.
<b>▲HIGIENE</b>	Indica precauciones importantes para la higiene y la seguridad de la comida.
<b>IMPORTANTE</b>	Indica información importante acerca del uso y el cuidado de la unidad.

### IMPORTANTE

Este folleto es una parte integral y esencial del producto y el usuario debe guardarlo en buenas condiciones.

Por favor, lea atentamente las indicaciones y observaciones de este folleto que tratan de ofrecer al instalador/usuario toda la información esencial para la instalación correcta, el uso seguro y el mantenimiento del producto.

Por favor, guarde este folleto para cualquier futura consulta que sea necesaria.

### ▲ADVERTENCIA

Este dispensador de cubitos de hielo comercial sólo debe utilizarse para los fines para los que ha sido expresamente diseñado.

Cualquier otra utilización deberá considerarse inadecuada y, por lo tanto, potencialmente peligrosa. El fabricante no será responsable de ningún daño causado por un uso incorrecto, inadecuado o irrazonable.

**La instalación y, si fuera necesario, la reubicación, debe ser realizada únicamente por personal cualificado**, de acuerdo con la normativa vigente y las instrucciones del fabricante.

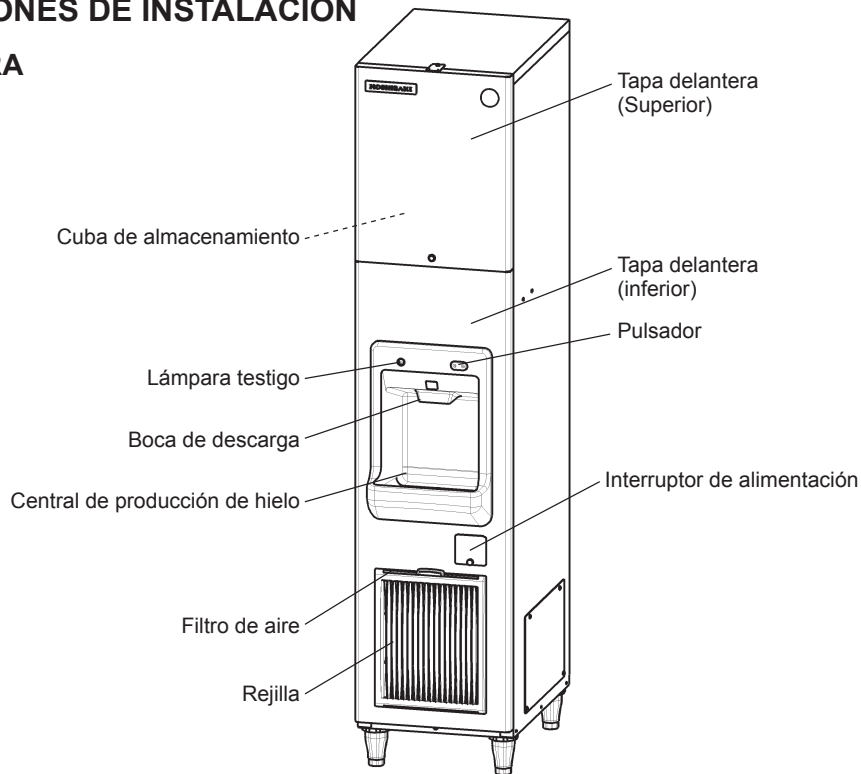
Mantenga los orificios de ventilación, de la carcasa de la máquina o de la estructura integrada, libres de cualquier obstrucción.

El uso de cualquier aparato eléctrico requiere tener presentes algunas normas fundamentales. En particular:

- \* Un alto grado de humedad incrementa el riesgo potencial de cortocircuitos y de descargas eléctricas. En caso de duda, desconecte el dispensador de cubitos de hielo.
- \* No dañe el cable de alimentación eléctrica ni tire de éste para desconectar el dispensador de cubitos de hielo de la red eléctrica.
- \* Si se daña el cable de alimentación, deberá sustituirse por un cable de repuesto disponible en los centros de repuestos/servicio de Hoshizaki.
- \* No toque las partes eléctricas ni manipule los interruptores con las manos húmedas.
- \* Este aparato no está diseñado para ser utilizado por personas (incluidos niños) con capacidades físicas, sensoriales o mentales reducidas, o sin experiencia y conocimientos; no obstante, puede ser utilizado por niños de a partir de 8 años y por personas con las minusvalías antes especificadas siempre que se encuentren bajo la supervisión de una persona responsable de su seguridad.
- \* Los niños no deben jugar con el equipo.
- \* Los niños sin supervisión no deben realizar la limpieza ni el mantenimiento de usuario.
- \* No trate de modificar el dispensador de cubitos de hielo. El desmontaje o la reparación de la máquina solo debe ser realizado por personal cualificado.

## I. INSTRUCCIONES DE INSTALACIÓN

### 1. ESTRUCTURA

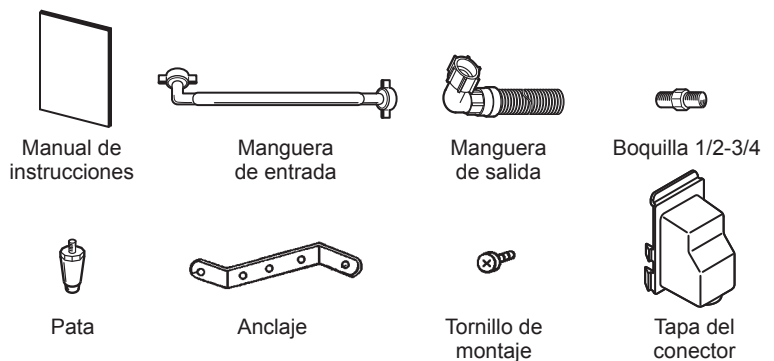


### IMPORTANTE

No retire ninguno de los paneles de servicio fijados con tornillos. El acceso a la zona de servicio está limitado a las personas que están familiarizadas con el uso práctico del aparato, y más en concreto en lo que se refiere a la seguridad e higiene.

### 2. ACCESORIOS

	DIM-30DE-1	DIM-30DE-2
Manual de instrucciones	1	1
Manguera de entrada	1	1
Manguera de salida	1	1
Boquilla 1/2-3/4	1	1
Pata	4	4
Anclaje	2	2
Tornillo de montaje	2	2
Tapa del conector	0	1



### 3. DESEMBALAJE

### ⚠ADVERTENCIA

No deje al alcance de los niños el material de embalaje (bolsas de plástico y poliestireno expandido), ya que son fuentes potenciales de peligro.

## ▲ATENCIÓN

No levante ni manipule el cartón usando las cintas de embalaje.

Si traslada el equipo a mano, respete la normativa local/nacional y sujételo por su base cuando lo levante.

Lleve siempre guantes protectores al transportar la unidad.

Cuando vaya a manipular el cartón o la unidad desembalada, hágalo con la ayuda de otra persona para evitar daños.

## AVISO

Retire el cartón, la(s) cinta(s) y el embalaje de expedición. Si queda algún material de embalaje en el dispensador de cubitos de hielo, éste no funcionará correctamente.

- 1) Una vez haya retirado el embalaje, verifique que el dispensador de cubitos de hielo se encuentre en buen estado. En caso de duda, no utilice el dispensador de cubitos de hielo y consulte con un profesional cualificado.
- 2) Retire el plástico protector del exterior. Si el dispensador de cubitos de hielo está expuesto al sol o a una fuente de calor, retire el plástico después de que la máquina se haya enfriado.
- 3) Retire el embalaje que contiene los accesorios. Verifique el contenido de acuerdo con "2. ACCESORIOS".

## 4. UBICACIÓN

### ▲ADVERTENCIA

Este dispensador de cubitos de hielo no está diseñado para uso en el exterior.

El dispensador de cubitos de hielo no debe colocarse cerca de hornos, parrillas u otras fuentes de calor.

Este aparato no es apropiado para su instalación en una zona en la que pueda haber un chorro de agua.

Para evitar posibles situaciones de peligro debidas a la inestabilidad del aparato, el dispensador de cubitos de hielo debe colocarse encima de una superficie firme y nivelada.

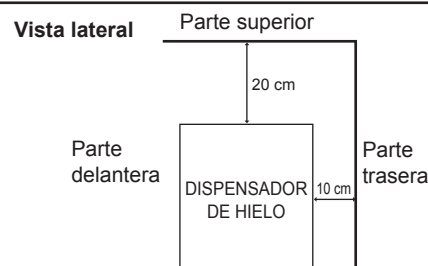
### AVISO

No coloque nada encima del dispensador de cubitos de hielo ni delante de la rejilla.

### IMPORTANTE

La temperatura ambiente operativa recomendada para el dispensador de cubitos de hielo es de entre 1 y 40 °C, aunque puede funcionar a 43 °C. La conexión de agua solo admite agua fría. La utilización del dispensador de cubitos de hielo fuera de estos márgenes de temperatura normal por periodos prolongados puede afectar su capacidad de producción.

Deje el espacio especificado a continuación para permitir la circulación de aire y facilitar las eventuales operaciones de reparación o mantenimiento.



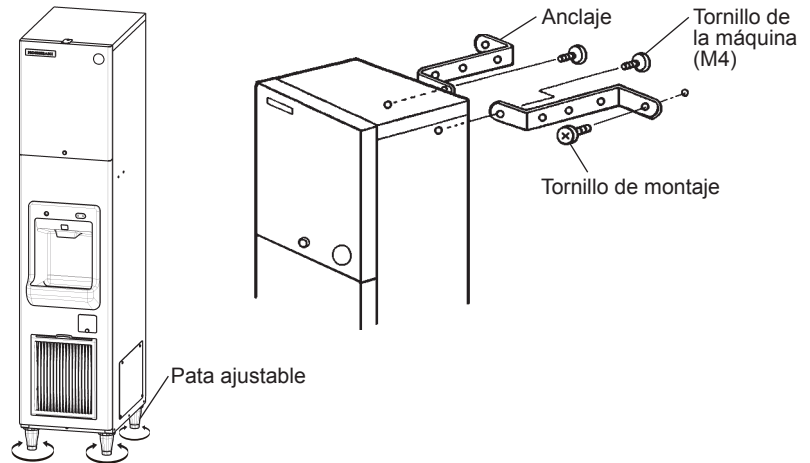
Es posible que en algunos entornos con un nivel alto de humedad se forme condensación en el interior de la máquina y gotee en el suelo. No la instale en suelos sensibles al agua.

## 5. INSTALACIÓN

### ⚠️ ATENCIÓN

El fabricante no se hace responsable de los daños a personas, animales u otros elementos provocados por una instalación incorrecta.

- \* Sitúe el dispensador de cubitos de hielo en la ubicación permanente escogida.
- \* Ajuste las cuatro patas de la parte inferior (regulables hasta 4,5 cm) para que el dispensador de cubitos de hielo esté perfectamente horizontal. Use un nivel de burbuja.
- \* Fije el dispensador de cubitos de hielo a la pared mediante los anclajes (accesorios) y tornillos de montaje (no suministrados). Doble los anclajes de acuerdo con las condiciones de instalación.



## 6. CONEXIONES ELÉCTRICAS

### ⚠️ ADVERTENCIA

#### ESTA MÁQUINA DEBE CONECTARSE A TIERRA

Este dispensador de cubitos de hielo requiere una conexión a tierra conforme a la normativa eléctrica nacional y local.

Para evitar la posibilidad de fuertes descargas eléctricas a personas o graves averías de la unidad, conecte al dispensador de hielo un cable de puesta a tierra adecuado.

Antes de realizar operaciones de mantenimiento, reparación o limpieza, desconecte la unidad de la red eléctrica.

- \* Este equipo necesita una alimentación de 220 – 240 VCA, 10 A aparte. El suministro eléctrico debe protegerse con un disyuntor apropiado.
- \* El fusible principal de la caja de control es de 5 A y sólo debe sustituirlo un técnico de mantenimiento cualificado.
- \* Normalmente son necesarios un permiso eléctrico y los servicios de un electricista acreditado.

## Únicamente en el Reino Unido y la República de Irlanda

### **ADVERTENCIA: el desmontaje o la modificación de la máquina solo debe ser realizado por personal cualificado.**

- \* Los hilos del cable de red están coloreados de acuerdo con el código siguiente:

Verde y amarillo = Tierra

Azul = Neutro

Marrón = Activo

Es posible que los colores de los hilos del cable de red de este equipo no se correspondan con las marcas de color que identifican los terminales del enchufe. En ese caso, proceda del modo siguiente:

El hilo verde y amarillo se debe conectar al terminal del enchufe marcado con la letra E, o con el símbolo  $\perp$ , o de color verde o de color verde y amarillo. El hilo azul debe conectarse al terminal marcado con la letra N o de color negro. El hilo marrón debe conectarse al terminal marcado con la letra L o de color rojo.

- \* En caso de que las tomas de corriente del lugar donde se va a instalar no sean adecuadas para el enchufe que se suministra con el producto, debe sustituirse el enchufe (cortándolo si está moldeado) por uno adecuado.

Si la clavija no reutilizable se ha cortado del cable de alimentación, dicha clavija debe desecharse. No trate de reutilizarla. La introducción de esta clavija en cualquier toma de corriente representa un grave riesgo de descarga eléctrica.

- \* La clavija no reutilizable no debe utilizarse nunca sin una tapa de fusibles montada.

El recambio correcto de la tapa de fusibles desmontable se identifica por el número de referencia del fabricante grabado en la propia clavija.

Puede obtener tapas de fusibles de repuesto en los centros de repuestos/servicio de Hoshizaki.

Los fusibles deben ser de 13 A y estar homologados según BS 1362.

## 7. SUMINISTRO DE AGUA Y CONEXIONES DE DRENAJE

### ▲ADVERTENCIA

**Conecte la máquina únicamente a un suministro de agua fría potable.**

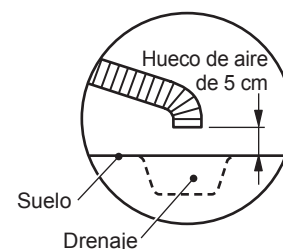
- \* La conexión a la red de suministro general de agua debe hacerse según la regulación vigente de cada país en materia de suministro de agua o racores.
- \* El agua de la máquina de hielo debe ser potable. Si la calidad del agua puede provocar problemas con la cal, es recomendable instalar un filtro externo o un suavizante. Póngase en contacto con un profesional en el tratamiento de aguas local o con un agente de servicio de Hoshizaki.
- \* La presión del suministro de agua debe ser de 0,07 MPa (0,7 bar) como mínimo y 0,78 MPa (7,8 bar) como máximo. Si la presión es superior a 0,78 MPa (7,8 bar), utilice una válvula reductora adecuada. **NO** intente reducir la presión actuando sobre la llave de paso.

- \* En algunas zonas pueden ser necesarios un permiso para obras de fontanería y los servicios de un fontanero acreditado.

- \* El drenaje del dispensador de cubitos de hielo se realiza por gravedad, de modo que la manguera de drenaje debe disponer de la pendiente y altura adecuadas.

- \* Las tuberías no deberían colocarse directamente al drenaje. Debe quedar un hueco de aire vertical de al menos 5 cm entre el extremo de las mangueras de drenaje del dispensador de cubitos de hielo y el drenaje del suelo.

- \* Asegúrese de que utiliza los tubos nuevos que se suministran con el equipo. No reutilice ninguna manguera antigua.



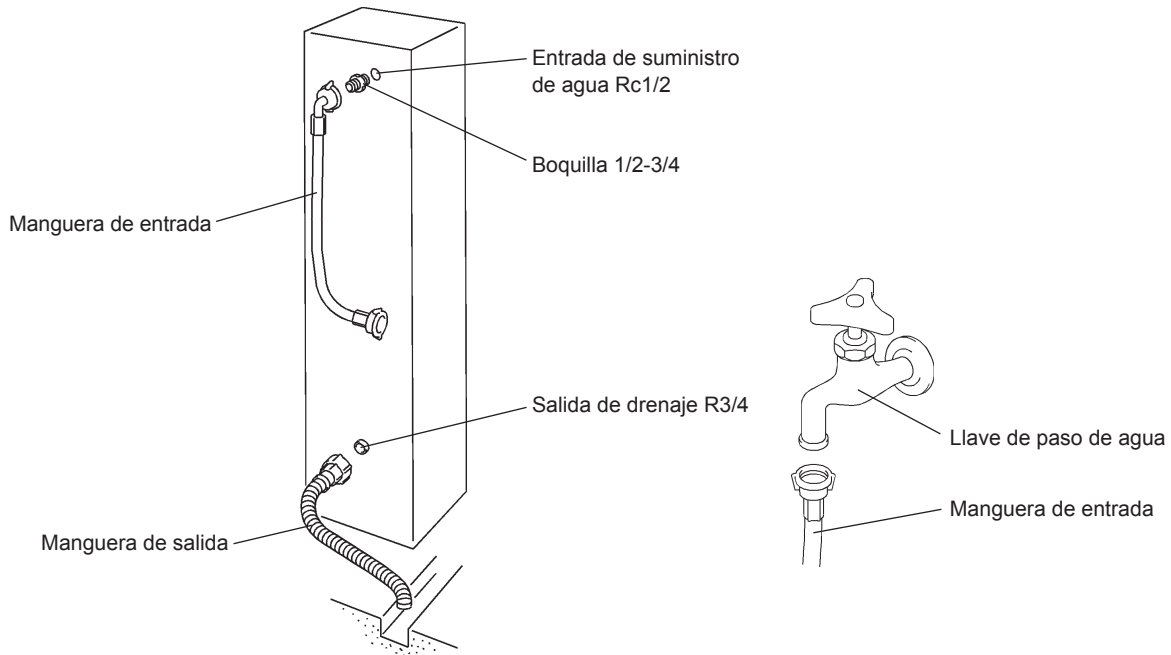
1) Con unos alicates o una llave adecuada, apriete la boquilla 1/2-3/4 (accesorio) al racor Rc1/2 de la parte posterior del dispensador de cubitos de hielo, tal como se muestra. Debe utilizarse cinta P.T.F.E. y un compuesto sellador adecuado para obtener una junta estanca.

Nota: los componentes de la junta deben ser adecuados y homologados para uso con agua potable.

2) Una el extremo acodado de la manguera flexible de entrada (accesorio) al extremo libre de la boquilla 1/2-3/4 comprobando que la junta de goma quede correctamente colocada. Apriete a mano lo suficiente para conseguir una junta estanca.

3) Acople el otro extremo de la manguera de entrada a la llave de paso del agua comprobando, antes de apretar a mano, que la junta esté bien colocada como se describe anteriormente.

4) Conecte la manguera flexible gris de salida (accesorio) en el racor R3/4 como se indica, verificando que la junta de goma quede correctamente colocada antes de apretar a mano la unión. Puede cortar la manguera a la longitud necesaria ajustándola a la posición del drenaje principal.



## II. INSTRUCCIONES DE UTILIZACIÓN

### AVISO

Todos los componentes están ajustados de fábrica. Un ajuste incorrecto puede provocar averías.

Si desconecta la unidad, espere al menos 3 minutos antes de ponerla de nuevo en marcha para evitar que el compresor se averíe.

### ▲ HIGIENE

Este dispensador de hielo ha sido diseñado para producir hielo comestible. Para mantener la higiene del dispensador de cubitos de hielo:

\* Mantenga limpia la máquina de producción de hielo. Límpiela con un detergente neutro y aclárela bien.

\* La cuba de almacenamiento solo puede utilizarse para el hielo. No almacene en la cuba ninguna otra cosa ni utilice otros aparatos eléctricos en ella.

\* Haga limpiar la cuba de almacenamiento por un profesional cualificado antes de utilizarla.

\* La máquina de producción de hielo está diseñada para que pueda colocarse una taza, un vaso u otro recipiente de pequeño tamaño para recoger el hielo del dispensador. No coloque ningún otro objeto en la máquina de producción de hielo.

### 1. PUESTA EN MARCHA

- 1) Abra la llave de paso del agua.
- 2) Enchufe el dispensador de cubitos de hielo y enciéndalo para que comience a funcionar.
- 3) Al cabo de 30 - 60 minutos, apriete el pulsador y compruebe que se dispensa hielo correctamente.

### IMPORTANTE

Cuando no hay suministro de agua o la presión del agua es insuficiente, el dispensador de cubitos no producirá hielo o lo hace de forma anómala. Asegure siempre un suministro de agua correcto.

### 2. DISPENSACIÓN DE HIELO

- \* Presione el pulsador para dispensar hielo.
- \* No presione el pulsador durante más de 5 minutos. (Si se pulsa durante más de 5 minutos, la función de dispensación dejará de funcionar temporalmente. Esta función sirve para evitar daños en la máquina).



## 3. PREPARACIÓN DEL DISPENSADOR DE HIELO PARA UN ALMACENAMIENTO PROLONGADO

### AVISO

Este dispensador de hielo no funciona a temperaturas inferiores al punto de congelación del agua. Para prevenir averías en la tubería de suministro de agua, drene el dispensador de hielo cuando la temperatura del aire sea inferior a cero.

### ▲ HIGIENE

Si va a tener el dispensador de hielo apagado durante dos o más días, drénelo para evitar la contaminación en el circuito de agua.

- 1) Cierre la llave de paso del agua. Desconecte la manguera de entrada de la llave de paso de agua y vacíela.
- 2) Dispense todo el hielo de la cuba de almacenamiento.
- 3) Apague y desenchufe el dispensador de cubitos de hielo.
- 4) Haga drenar el dispensador de cubitos de hielo por un profesional cualificado.

## III. MANTENIMIENTO

### 1. LIMPIEZA

#### ▲ADVERTENCIA

Antes de realizar cualquier operación de limpieza o mantenimiento, desenchufe el dispensador de cubitos de hielo de la red eléctrica.

Esta máquina no debe limpiarse con un chorro de agua.

#### ▲ATENCIÓN

Si va a utilizar un detergente neutro o hipoclorito sódico, lea bien y asegúrese de entender las instrucciones proporcionadas para evitar posibles problemas de salud.

#### AVISO

Solicite a personal capacitado de mantenimiento la limpieza y esterilización del sistema de agua del dispensador de cubitos de hielo al menos dos veces al año y la revisión y limpieza del condensador al menos una vez al año.

Para evitar posibles daños, no limpie las piezas de plástico con agua a una temperatura superior a 40 °C o en un lavavajillas.

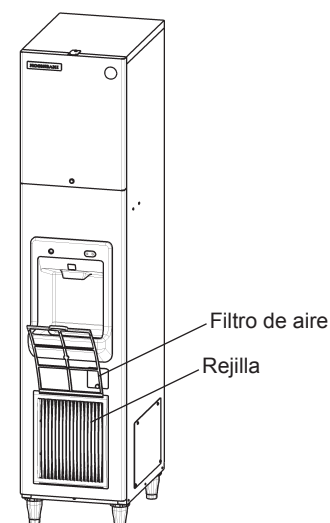
#### [a] Exterior de la máquina y de la cuba

Limpie el exterior al menos una vez por semana con un trapo limpio y suave. Utilice un trapo humedecido con un detergente neutro para eliminar la grasa o la suciedad.

#### [b] Filtro de aire

Los filtros de aire con malla de plástico eliminan la suciedad o el polvo del aire y evitan que el condensador se obstruya. Si el filtro se obstruye, el rendimiento del dispensador de hielo se reduce. Desmonte y limpie los filtros de aire al menos dos veces al mes:

- 1) Deslice el filtro de aire para desmontarlo de la guía del filtro de la rejilla.
- 2) Limpie el filtro de aire con un aspirador. Cuando el filtro de aire esté muy obstruido, utilice agua tibia y un detergente neutro para lavarlo.
- 3) Aclare y seque el filtro de aire cuidadosamente.



#### AVISO

Tras la limpieza, asegúrese de volver a colocar el filtro de aire en su lugar.

#### [c] Sistema de agua de fabricación de hielo

Para mantener el dispensador de hielo en buenas condiciones higiénicas, se recomienda limpiar periódicamente el sistema de agua de fabricación de hielo. Solicite siempre a personal capacitado de mantenimiento la limpieza del sistema de agua.

### 2. ANTES DE LLAMAR AL SERVICIO TÉCNICO

#### ▲ADVERTENCIA

No dañe el circuito del refrigerante.

Si el dispensador de hielo no funciona correctamente o no funciona en absoluto y en la pantalla no aparece el código de error, antes de llamar al servicio de reparaciones compruebe que:

- \* El equipo está conectado a la red y activado.
- \* Se suministra agua al equipo y la llave de paso del agua está abierta.
- \* El filtro de aire está limpio.

Para asistencia o asesoramiento adicionales, póngase en contacto con el agente de reparaciones local de Hoshizaki.

### 3. ELIMINACIÓN

Siga las normativas locales aplicables a la eliminación de este equipo y el gas refrigerante que contiene.

Eliminación correcta de este producto:

Estas marcas indican que está prohibido eliminar este producto junto con otros desechos de uso doméstico en todo el territorio de la UE. Para evitar el posible daño al medioambiente o a la salud pública, provocado por la eliminación no controlada de desechos, recíclelos de forma responsable para fomentar la reutilización sostenible de los recursos materiales. Para devolver el dispositivo usado, utilice los sistemas de devolución y recogida o póngase en contacto con el punto de venta en el que adquirió el producto. El personal se encargará de que el producto se recicle respetando el medioambiente.



### 4. GARANTÍA

Hoshizaki garantiza al usuario/propietario que ninguno de los productos de su marca presentarán defectos de material o mano de obra durante la duración del "periodo de garantía". La garantía será efectiva durante dos años a partir de la fecha de instalación.

La responsabilidad de Hoshizaki según los términos de esta garantía es limitada y excluirá el servicio de rutina, la limpieza, el mantenimiento esencial y/o las reparaciones ocasionadas por uso incorrecto y por instalaciones que no se ajusten a las instrucciones de Hoshizaki.

Las reparaciones cubiertas por la garantía deberán ser realizadas por un distribuidor o centro de servicio homologado de Hoshizaki empleando componentes originales de Hoshizaki.

Para más detalles sobre la garantía y los centros de servicio homologados, póngase en contacto con su distribuidor/proveedor, o con la oficina de Servicio Técnico de Hoshizaki más próxima.

#### Europa, Oriente Medio, África

Hoshizaki UK - Reino Unido, Irlanda  
TEL: +44 845 456 0585  
FAX: +44 132 283 8331  
uksales@hoshizaki.co.uk

Hoshizaki Middle East - Oriente Medio  
TEL.: +971 48 876 612  
FAX: +971 48 876 613  
sales@hoshizaki.ae

Hoshizaki Deutschland - Alemania, Suiza, Austria  
TEL: +49 2154 92810  
FAX: +49 2154 928128  
info@hoshizaki.de

Hoshizaki Nederland & België - Holanda, Bélgica, Luxemburgo  
TEL: +31 20 5650420 (Nederland)  
TEL.: +32 2 712 30 30 (België)  
FAX: +31 20 6918768  
sales@hoshizaki.nl (Nederland)  
info@hoshizaki.be (België)

Hoshizaki France - Francia  
TEL: +33 1 48 63 93 80  
FAX: +33 1 48 63 93 88  
info@hoshizaki.fr

Hoshizaki Iberia - España, Portugal  
TEL: +34 93 478 09 52  
FAX: +34 93 478 08 00  
info@hoshizaki.es

Hoshizaki Europe B.V. - Resto de países de Europa y África  
TEL: +31 20 6918499  
FAX: +31 20 6918768  
sales@hoshizaki.nl

#### Asia, Oceanía

Hoshizaki Singapore  
TEL: +65 6225 2612  
FAX: +65 6225 3219

Hoshizaki Hong Kong  
TEL.: +852 2866-2108  
FAX: +852 2866-2109

Hoshizaki Taiwan  
TEL: +886 2 2706 8818  
FAX: +886 2 2708 7999

Hoshizaki Lancer  
TEL: +61 8 8268 1388  
FAX: +61 8 8268 1978

**ESPECIFICACIONES**

Modelo	DIM-30DE-1	DIM-30DE-2
Tipo	Refrigerado por aire, cubitos de hielo	Refrigerado por aire, cubitos de hielo
Alimentación	1 fase 220 - 240 V / 230 V 50 / 60 Hz	1 fase 220 - 240 V / 230 V 50 / 60 Hz
Consumo eléctrico	320 / 330 W	320 / 340 W
Producción de hielo en 24 h	32 kg (5 mm) / 34 kg (5 mm) (temperatura ambiente 10 °C, agua 10 °C)	40 kg (5 mm) / 42 kg (5 mm) (temperatura ambiente 10 °C, agua 10 °C)
Dimensiones	350 mm (Anch.) x 500 mm (Prof.) x 1.600 mm (Alt.)	350 mm (Anch.) x 500 mm (Prof.) x 1.600 mm (Alt.)
Refrigerante	R134a, 0,19 kg (GWP: 1.430, CO2: 0,272 t)	R134a, 0,20 kg (GWP: 1.430, CO2: 0,286 t)
Agente espumante para aislamiento	Sin HFC	Sin HFC
Peso	Neto: 65 kg (total: 71 kg)	Neto: 65 kg (total: 71 kg)
Temp. ambiente	1 - 40 °C	1 - 40 °C
Temperatura del agua	5 - 35 °C	5 - 35 °C
Presión del agua	0,07 - 0,78 MPa (0,7 - 7,8 bar)	0,07 - 0,78 MPa (0,7 - 7,8 bar)
Intervalo de voltaje	Voltaje nominal ± 6 / 10%	Voltaje nominal ± 6 / 10%

**Este producto incluye un sistema de refrigeración sellado herméticamente que contiene gases fluorados de efecto invernadero.**

## INFORMAZIONI IMPORTANTI SULLA SICUREZZA

All'interno del manuale compaiono degli avvertimenti che intendono attirare l'attenzione dell'operatore su situazioni che potrebbero causarne la morte, lesioni gravi o danneggiare l'apparecchio.

<b>▲AVVERTENZA</b>	Indica una situazione pericolosa che, se non evitata, potrebbe causare la morte o lesioni gravi.
<b>▲ATTENZIONE</b>	Indica una situazione pericolosa che, se non evitata, potrebbe causare lesioni di lieve o media entità.
<b>AVVISO</b>	Indica una situazione pericolosa che, se non evitata, potrebbe causare danni all'unità.
<b>▲IGIENE</b>	Indica importanti precauzioni per l'igiene e la sicurezza alimentare.
<b>IMPORTANTE</b>	Indica informazioni importanti in merito all'uso e alla manutenzione dell'unità.

### IMPORTANTE

Il presente manuale è parte integrante e fondamentale del prodotto e deve essere conservato con cura dall'utente.

Si raccomanda di leggere con attenzione le indicazioni e le avvertenze ivi contenute, volte a fornire all'installatore/utente le informazioni fondamentali per la corretta installazione, l'utilizzo prolungato e la manutenzione del prodotto in condizioni di sicurezza.

Si raccomanda di conservare il presente manuale per eventuali necessità di consultazione future.

### ▲AVVERTENZA

Questa è una macchina industriale e deve essere utilizzata esclusivamente per gli impieghi per la quale è stata espressamente progettata.

Qualunque altro impiego è da considerarsi improprio e pertanto pericoloso. La casa costruttrice declina ogni responsabilità per eventuali danni provocati da uso improprio, non corretto o sconsiderato.

**L'installazione e, se necessario, lo spostamento, devono essere eseguiti da personale specializzato**, in conformità alle norme vigenti e alle istruzioni della casa costruttrice.

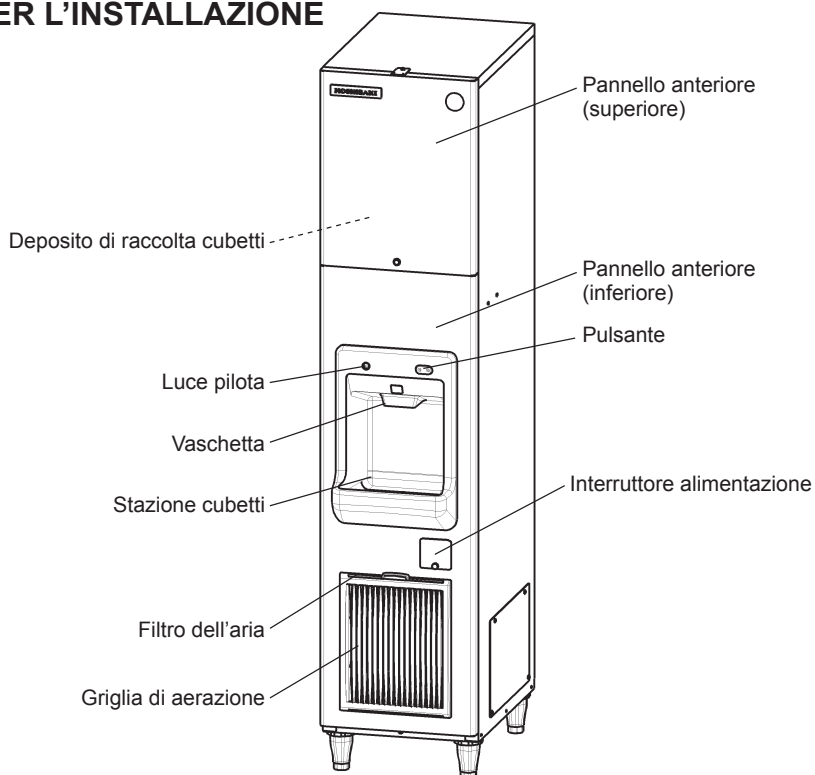
Mantenere prive di ostruzioni le aperture di ventilazione della custodia della macchina o della struttura incorporata.

L'utilizzo di qualsiasi apparecchio elettrico implica l'osservanza di alcune norme fondamentali. In particolare:

- \* Ubicando la macchina in ambienti ad alta umidità, si aumenta il rischio di cortocircuiti elettrici e di eventuali scosse elettriche. In caso di dubbi, scollegare la macchina dall'alimentazione elettrica.
- \* Non danneggiare il cavo dell'alimentazione elettrica né tirarlo per scollegare la spina della macchina dalla rete di alimentazione.
- \* Se il cavo di alimentazione è danneggiato, sostituirlo con un cavo di ricambio reperibile presso il centro assistenza/ricambi Hoshizaki.
- \* Non toccare parti elettriche né gli interruttori con le mani bagnate.
- \* La macchina non deve essere utilizzata da persone (inclusi i bambini) con capacità fisiche, sensoriali o mentali ridotte o con mancanza di competenze e conoscenze adeguate. È tuttavia consentito l'uso da parte di bambini con età minima di 8 anni, nonché di persone con capacità fisiche, sensoriali o mentali ridotte o con mancanza di competenze e conoscenze, purché sotto la supervisione o in linea con le istruzioni sull'uso dell'apparecchio fornite da un responsabile della sicurezza dei soggetti sopra indicati.
- \* I bambini non devono giocare con la macchina.
- \* La pulizia e la manutenzione da parte dell'utente non devono essere effettuate da bambini senza che venga loro fornita la supervisione.
- \* Non apportare modifiche alla macchina. Il disassemblaggio e la riparazione della macchina devono essere effettuati esclusivamente da personale qualificato.

## I. ISTRUZIONI PER L'INSTALLAZIONE

### 1. COMPONENTI

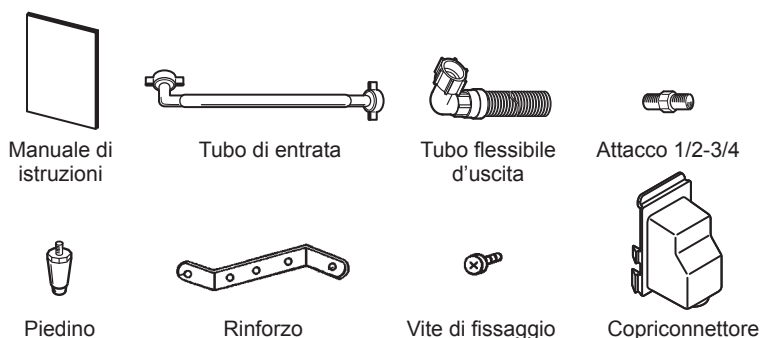


### IMPORTANTE

Non rimuovere i pannelli di servizio fissati con le viti. L'accesso all'area di servizio è riservato a persone dotate di conoscenze e competenze pratiche sull'apparecchio, in particolare per quanto concerne la sicurezza e l'igiene.

### 2. ACCESSORI

	DIM-30DE-1	DIM-30DE-2
Manuale di istruzioni	1	1
Tubo di entrata	1	1
Tubo flessibile d'uscita	1	1
Attacco 1/2-3/4	1	1
Piedino	4	4
Rinforzo	2	2
Vite di fissaggio	2	2
Copriconnettore	0	1



### 3. DISIMBALLAGGIO

### ⚠AVVERTENZA

Tenere gli elementi d'imballaggio (sacchetti in plastica e polistirolo espanso) lontano dalla portata dei bambini, perché potenzialmente pericolosi.

## ⚠ATTENZIONE

Non sollevare o maneggiare il cartone mediante il nastro d'imballaggio.

Quando si movimenta l'unità manualmente, rispettare le normative locali/nazionali. Tenere l'unità alla base per sollevarla.

Indossare sempre guanti protettivi per trasportare l'unità.

Per evitare il rischio di lesioni, lavorare sempre in coppia quando si movimenta la scatola o l'unità disimballata.

## AVVISO

Rimuovere il cartone d'imballaggio, il nastro/i e l'imballaggio. La macchina non funziona correttamente qualora all'interno di essa rimanga del materiale di imballaggio.

- 1) Dopo aver tolto l'imballaggio, verificare che la macchina sia in condizioni ottimali. Qualora sorgano dubbi in merito, non utilizzare la macchina e rivolgersi a una persona qualificata.
- 2) Togliere la pellicola di plastica esterna di protezione. Qualora la macchina sia stata esposta al sole o al calore, attendere che la macchina si raffreddi, quindi togliere la pellicola.
- 3) Rimuovere l'imballaggio contenente gli accessori. Verificarne il contenuto secondo quanto riportato al punto "2. ACCESSORI".

## 4. UBICAZIONE

### ⚠AVVERTENZA

La macchina non è idonea all'utilizzo all'aria aperta.

La macchina non deve essere ubicata in prossimità di forni, grill o altri dispositivi che producono calore intenso.

La macchina non è adatta per l'installazione in un'area in cui è possibile utilizzare un getto d'acqua.

Per evitare eventuali rischi dovuti all'instabilità della macchina, il luogo d'installazione deve garantire una base solida e piana per la macchina.

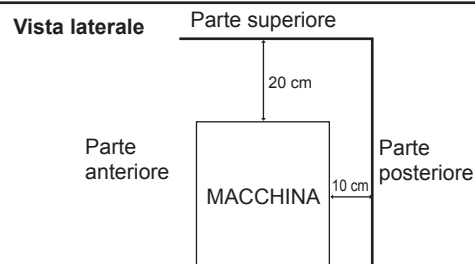
### AVVISO

Non posizionare alcun oggetto sulla sommità della macchina o davanti alla griglia di ventilazione.

### IMPORTANTE

La temperatura di esercizio consigliata rientra tra 1 °C e 40 °C. Tuttavia, la macchina è in grado di funzionare anche a 43 °C. Il collegamento idrico è inteso per la sola acqua fredda. Il prolungato funzionamento della macchina con valori che non rientrano nelle gamme previste può comprometterne la capacità di produzione.

Lasciare uno spazio equivalente a quello sotto specificato in modo da favorire la circolazione dell'aria e le eventuali operazioni di manutenzione o servizio.



In alcuni ambienti ad alta umidità, all'interno della macchina potrebbe formarsi della condensa che si riversa poi sul pavimento. Non installare la macchina su un pavimento che potrebbe danneggiarsi a causa dell'acqua.

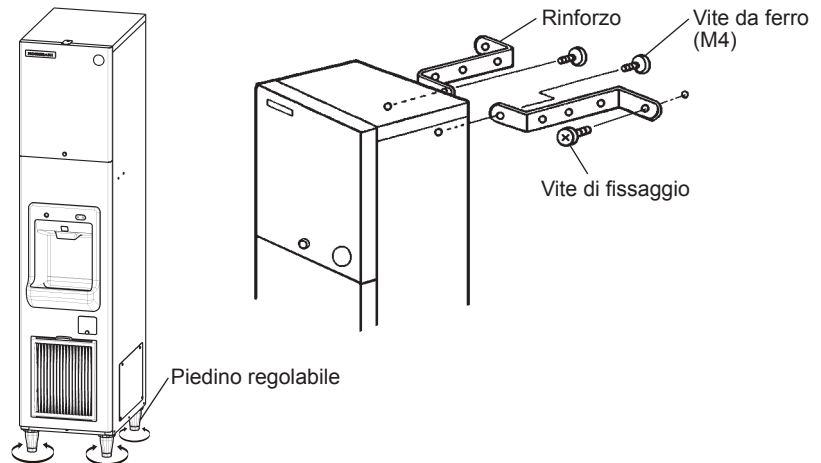


## 5. INSTALLAZIONE

### ⚠ATTENZIONE

L'installazione non corretta può provocare lesioni alle persone, agli animali e danni materiali, per i quali la casa costruttrice declina ogni responsabilità.

- \* Posizionare la macchina nella posizione desiderata e permanente.
- \* Regolare i quattro piedini situati sul fondo (regolabili fino a 4,5 cm) in modo che la macchina sia disposta in posizione perfettamente orizzontale. Utilizzare una livella a bolla d'aria.
- \* Fissare al muro la macchina, servendosi dei rinforzi (accessori) e delle viti di fissaggio (non fornite). Piegarli adattandoli alle condizioni d'installazione.



## 6. COLLEGAMENTI ELETTRICI

### ⚠AVVERTENZA

#### LA MACCHINA DEVE ESSERE COLLEGATA A MASSA

La macchina deve essere collegata a massa in modo da soddisfare le norme elettriche a livello locale e nazionale.

Per prevenire gravi lesioni da scosse elettriche alle persone e seri danni alla macchina, collegare alla medesima un idoneo cavo di massa.

Scollegare l'alimentazione principale prima di eseguire qualsiasi intervento di manutenzione, riparazione o pulizia.

- \* Questa macchina richiede un'alimentazione separata a 220 - 240 V CA, da 10 A. L'alimentazione elettrica deve essere protetta da un interruttore automatico adeguato.
- \* Il fusibile della scatola di comando principale è di 5 A e va sostituito solo da un tecnico di servizio specializzato.
- \* Per eseguire lavori elettrici, solitamente è necessario ottenere il permesso nonché l'assistenza di un elettricista autorizzato.

**Solo per il Regno Unito e la Repubblica d'Irlanda**

**AVVERTENZA: il disassemblaggio e la modifica della macchina devono essere effettuati esclusivamente da personale qualificato.**

\* I fili del cavo di alimentazione sono colorati in base al seguente codice:

verde e giallo = massa

blu = neutro

marrone = sotto tensione

Dato che i colori dei fili del cavo di alimentazione della macchina possono non corrispondere ai contrassegni colorati che identificano i terminali della spina, procedere come segue.

Il filo verde e giallo deve essere collegato al terminale della spina contrassegnato dalla lettera E o dal simbolo  $\perp$  o di colore verde o verde e giallo. Il filo blu deve essere collegato al terminale della spina contrassegnato dalla lettera N o di colore nero. Il filo marrone deve essere collegato al terminale contrassegnato dalla lettera L o di colore rosso.

\* Se le prese a muro, nel luogo dell'installazione, non sono adatte alla spina appartenente alla dotazione del prodotto, togliere la spina (tagliandola se è del tipo pressofuso) e sostituirla con una spina adatta.

Se dal cavo di alimentazione elettrica è stata tagliata una spina di tipo non riciclabile, smaltirla. Non cercare di riutilizzarla. Inserire una spina del genere in una qualsiasi altra presa comporta un forte rischio di scosse elettriche.

\* La spina non riciclabile non va mai utilizzata senza aver montato un coprifusibile.

Per individuare il corretto ricambio del coprifusibile smontabile, leggere il numero di riferimento della casa costruttrice impresso sulla spina.

I coprifusibile possono essere reperiti presso il centro assistenza/ricambi Hoshizaki.

I fusibili devono essere di 13 A e con approvazione BS 1362.

## 7. COLLEGAMENTO ALL'APPROVVIGIONAMENTO DELL'ACQUA E COLLEGAMENTO DI SCARICO

### ▲AVVERTENZA

Collegare solo all'approvvigionamento dell'acqua potabile fredda.

\* I collegamenti all'approvvigionamento idrico di rete devono essere eseguiti in conformità ai requisiti vigenti delle norme relative all'approvvigionamento dell'acqua e ai raccordi dell'acqua.

\* L'acqua utilizzata per la fabbricazione del ghiaccio deve essere potabile. In caso di incrostazioni dovute alla qualità dell'acqua, si consiglia di installare un addolcitore o filtro esterno. Contattare l'esperto in trattamenti idrici locale o un agente dell'assistenza Hoshizaki.

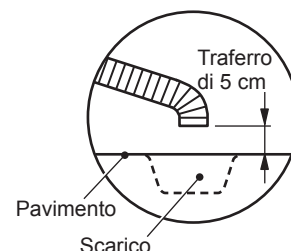
\* La pressione di approvvigionamento dell'acqua deve essere di minimo 0,07 MPa (0,7 bar) e massimo 0,78 MPa (7,8 bar). Se la pressione è superiore a 0,78 MPa (7,8 bar), utilizzare una valvola limitatrice di pressione appropriata. **NON** strozzare il rubinetto dell'acqua.

\* In alcune località, per eseguire lavori idraulici sono necessari un permesso specifico nonché l'assistenza di un idraulico qualificato.

\* La macchina è caratterizzata da un flusso di drenaggio a gravità: assicurarsi che il tubo di scarico abbia una pendenza adatta.

\* I circuiti di scarico non devono essere installati direttamente nella rete fognaria. È necessario lasciare un traferro verticale di almeno 5 cm tra l'estremità dei condotti di scarico dalla macchina e lo scarico a pavimento.

\* Assicurarsi di utilizzare i nuovi set di tubi forniti con l'apparecchio. Non riutilizzare i set di tubi vecchi.



# ITALIANO

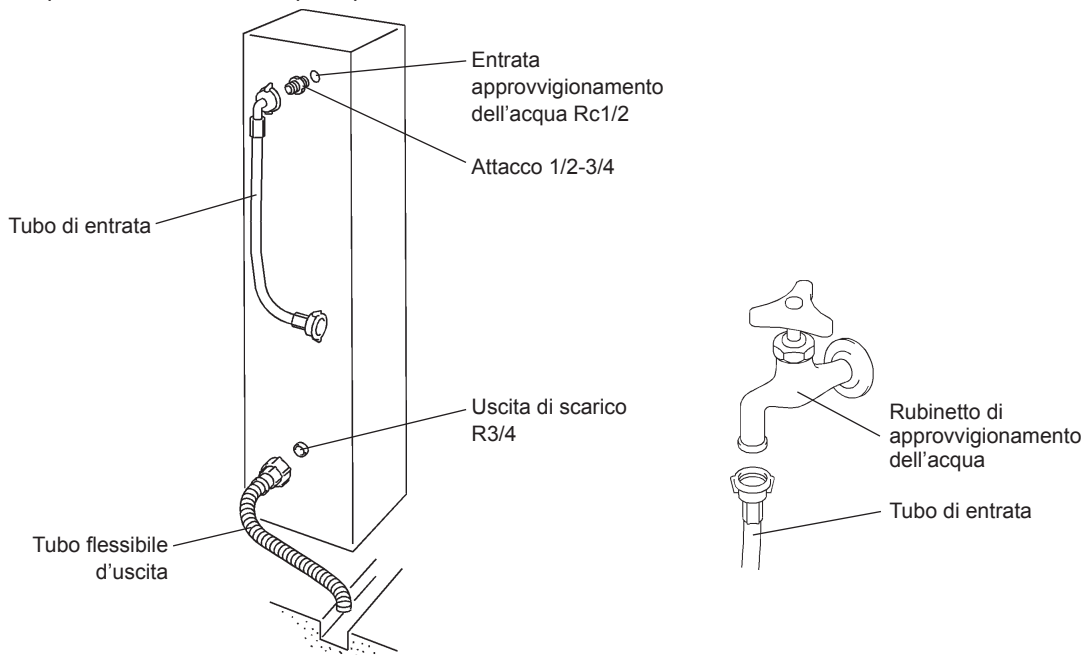
1) Per mezzo di una chiave idonea, serrare gli attacchi 1/2-3/4 (accessorio) ai raccordi Rc1/2, situati sul retro della macchina, come indicato. Per ottenere un accoppiamento a tenuta, utilizzare gli appositi ermetici e/o il nastro P.T.F.E.

Nota: gli ermetici devono essere approvati e adatti all'uso con acqua potabile.

2) Collegare l'estremità a gomito del tubo di entrata flessibile (accessorio) alle estremità disponibili degli attacchi 1/2-3/4, facendo attenzione che la rondella di tenuta in gomma sia posizionata in modo corretto. Serrare a mano quanto basta a evitare perdite.

3) Collegare al rubinetto di approvvigionamento dell'acqua l'altra estremità del tubo flessibile di entrata, facendo attenzione che la rondella sia posizionata correttamente prima di serrare a mano come indicato in precedenza.

4) Collegare il tubo di uscita (flessibile grigio, accessorio) al raccordo R3/4, come indicato, verificando che la rondella in gomma sia montata in modo corretto prima di serrare a mano l'accoppiamento. Il tubo può essere tagliato alla lunghezza necessaria per adattarsi alla posizione dello scarico principale.



## II. ISTRUZIONI DI FUNZIONAMENTO

### AVVISO

Tutti i componenti sono preimpostati dalla casa costruttrice. Regolazioni non corrette possono provocare guasti.

Se la macchina viene spenta, attendere almeno 3 minuti prima di avviarla nuovamente, per evitare di danneggiare il compressore.

### ⚠️ IGIENE

Questa macchina serve a produrre cubetti di ghiaccio commestibili. Per mantenere igienica la macchina:

- \* Mantenere pulita la stazione cubetti. A tal fine, utilizzare un detergente neutro e sciacquare abbondantemente.
- \* Il deposito di raccolta cubetti è solo per i cubetti. Non conservare nient'altro nel deposito di raccolta e non utilizzare apparecchi elettrici nel deposito di raccolta.
- \* Rivolgersi a una persona qualificata per la pulizia del deposito di raccolta prima dell'uso.
- \* La stazione cubetti è progettata in modo che una tazza, un bicchiere o un altro contenitore di piccole dimensioni possa essere posizionato per raccogliere i cubetti di ghiaccio. Non posizionare altri oggetti sulla stazione cubetti.

## 1. AVVIO

- 1) Aprire il rubinetto dell'acqua.
- 2) Attaccare la macchina alla corrente e accendere l'interruttore di alimentazione per avviare.
- 3) Dopo 30 - 60 minuti, premere il pulsante e verificare la corretta produzione di cubetti.

### IMPORTANTE

In mancanza di approvvigionamento dell'acqua o in caso di bassa pressione dell'acqua, la produzione di cubetti è assente oppure anomala. Garantire sempre un corretto approvvigionamento dell'acqua.

## 2. PRODUZIONE DI CUBETTI

- \* Premere il pulsante per produrre i cubetti di ghiaccio.
- \* Non premere il pulsante per più di 5 minuti. (Se il pulsante viene premuto per più di 5 minuti, la produzione di cubetti viene temporaneamente interrotta. Questa funzione permette di evitare danni alla macchina.)

## 3. PREPARAZIONE DELLA MACCHINA PER IL RIMESSAGGIO PROLUNGATO

### AVVISO

Questa macchina non funziona a temperature inferiori allo zero. Scaricare la macchina quando la temperatura dell'aria è al di sotto dello zero, al fine di prevenire eventuali danni al circuito di approvvigionamento dell'acqua.

### ▲ IGIENE

Se la macchina rimane spenta per due o più giorni, scaricarla per evitare la contaminazione del circuito dell'acqua.

- 1) Chiudere il rubinetto dell'acqua. Scollegare il tubo flessibile di entrata dal rubinetto dell'acqua, quindi scaricarlo.
- 2) Rimuovere tutto il ghiaccio dal deposito di raccolta cubetti.
- 3) Spegnerne l'interruttore di alimentazione e staccare dalla presa la macchina.
- 4) Per svuotare la macchina, rivolgersi a una persona qualificata.

### III. MANUTENZIONE

#### 1. PULIZIA

##### ▲AVVERTENZA

Prima di eseguire qualunque operazione di pulizia o di manutenzione, scollegare la macchina dalla rete di alimentazione elettrica.

Non pulire la macchina mediante getto d'acqua.

##### ▲ATTENZIONE

Se si utilizza un detergente neutro o ipoclorito di sodio, leggere attentamente e comprendere le istruzioni fornite al fine di evitare possibili problemi di salute.

##### AVVISO

Almeno due volte l'anno far pulire e disinfettare il sistema dell'acqua della macchina da personale di servizio qualificato e controllare e pulire il condensatore almeno una volta all'anno.

Per evitare danni, non pulire le parti in plastica con acqua ad una temperatura superiore a 40 °C o in lavastoviglie.

#### [a] Esterno della macchina e del deposito di raccolta cubetti

Utilizzando un panno morbido e pulito, pulire la parte esterna della macchina almeno una volta alla settimana. Per eliminare grasso o impurità, utilizzare un panno inumidito con detergente neutro.

#### [b] Filtro dell'aria

I filtri dell'aria a maglia di plastica servono a filtrare l'aria dalle impurità e dalla polvere, proteggendo il condensatore da eventuali intasamenti. Se i filtri si intasano, le prestazioni della macchina diminuiscono. Smontare i filtri dell'aria e pulirli almeno due volte al mese:

- 1) Rimuovere il filtro dell'aria dalla griglia di aerazione.
- 2) Pulire il filtro dell'aria per mezzo di un aspirapolvere. Se il filtro è particolarmente intasato, lavarlo con acqua calda e una soluzione detergente neutra.
- 3) Risciacquare e asciugare con cura il filtro dell'aria.



##### AVVISO

Al termine della pulizia, assicurarsi di risistemare il filtro dell'aria nella giusta posizione.

#### [c] Sistema dell'acqua per la produzione di ghiaccio

Per garantire l'igiene della macchina, si consiglia una pulizia periodica del sistema dell'acqua per la produzione di ghiaccio. Richiedere sempre l'intervento di personale tecnico qualificato per la pulizia del sistema dell'acqua.

#### 2. PRIMA DI RIVOLGERSI ALL'ASSISTENZA

##### ▲AVVERTENZA

Non danneggiare il circuito di refrigerazione.

Se la macchina non funziona correttamente o non funziona affatto e sul display non compare nessun codice guasto, prima di rivolgersi all'assistenza controllare che:

- \* la macchina riceva energia elettrica e l'interruttore di alimentazione sia acceso.
- \* la macchina riceva acqua e il rubinetto di approvvigionamento dell'acqua sia aperto.
- \* il filtro dell'aria sia pulito.

Per ulteriori assistenza e consulenza, contattare il locale centro di assistenza Hoshizaki.

### 3. SMALTIMENTO

Osservare le normative locali in materia di smaltimento della macchina e del gas refrigerante.

Smaltimento corretto del prodotto:

Questo simbolo indica che il prodotto non deve essere smaltito con altri rifiuti domestici all'interno dell'UE. Per evitare possibili danni all'ambiente o alla salute derivanti dallo smaltimento incontrollato dei rifiuti, riciclare il prodotto in modo responsabile per promuovere il riutilizzo sostenibile delle risorse materiali. Per restituire la macchina usata, utilizzare i sistemi di restituzione e raccolta o contattare il rivenditore presso il quale è stato acquistato il prodotto. Il prodotto sarà ritirato in vista di un riciclaggio sicuro per l'ambiente.



### 4. GARANZIA

Hoshizaki garantisce al proprietario o utente originario che tutti i prodotti con marchio Hoshizaki sono privi di difetti di costruzione e/o inerenti ai materiali per l'intera durata del "periodo di garanzia". La garanzia è valida per due anni dalla data di installazione. La responsabilità di Hoshizaki secondo le condizioni della garanzia è limitata ed esclude la manutenzione di routine, la pulizia, la manutenzione essenziale e/o le riparazioni che si rendano necessarie in conseguenza di uso scorretto e di installazione non conforme alle indicazioni Hoshizaki.

Le riparazioni in garanzia devono essere eseguite da un rivenditore o da un centro di assistenza autorizzato Hoshizaki, che utilizzino componenti originali Hoshizaki.

Per ottenere informazioni complete in merito alla garanzia e al centro di assistenza autorizzato, si prega di contattare il proprio rivenditore/fornitore di fiducia, oppure l'ufficio assistenza Hoshizaki più vicino.

#### Europa, Medio Oriente, Africa

Hoshizaki UK - Regno Unito, Irlanda  
TEL: +44 845 456 0585  
FAX: +44 132 283 8331  
uksales@hoshizaki.co.uk

Hoshizaki Middle East - Medio Oriente  
TEL: +971 48 876 612  
FAX: +971 48 876 613  
sales@hoshizaki.ae

Hoshizaki Deutschland - Germania, Svizzera, Austria  
TEL: +49 2154 92810  
FAX: +49 2154 928128  
info@hoshizaki.de

Hoshizaki Nederland & België - Paesi Bassi, Belgio, Lussemburgo  
TEL: +31 20 5650420 (Nederland)  
TEL: +32 2 712 30 30 (België)  
FAX: +31 20 6918768  
sales@hoshizaki.nl (Nederland)  
info@hoshizaki.be (België)

Hoshizaki France - Francia  
TEL: +33 1 48 63 93 80  
FAX: +33 1 48 63 93 88  
info@hoshizaki.fr

Hoshizaki Iberia - Spagna, Portogallo  
TEL: +34 93 478 09 52  
FAX: +34 93 478 08 00  
info@hoshizaki.es

Hoshizaki Europe B.V. - tutti gli altri paesi di Europa e Africa  
TEL: +31 20 6918499  
FAX: +31 20 6918768  
sales@hoshizaki.nl

#### Asia, Oceania

Hoshizaki Singapore  
TEL: +65 6225 2612  
FAX: +65 6225 3219

Hoshizaki Hong Kong  
TEL: +852 2866-2108  
FAX: +852 2866-2109

Hoshizaki Taiwan  
TEL: +886 2 2706 8818  
FAX: +886 2 2708 7998

Hoshizaki Lancer  
TEL: +61 8 8268 1388  
FAX: +61 8 8268 1978

## SPECIFICHE

Modello	DIM-30DE-1	DIM-30DE-2
Tipo	Raffreddamento ad aria, cubetto di ghiaccio	Raffreddamento ad aria, cubetto di ghiaccio
Alimentazione elettrica	monofase 220-240 V / 230 V 50/60 Hz	monofase 220-240 V / 230 V 50/60 Hz
Consumi elettrici	320 / 330 W	320 / 340 W
Produzione cubetti ogni 24 ore	32 kg (5 mm) / 34 kg (5 mm) (temp. ambiente 10 °C, temp. acqua 10 °C)	40 kg (5 mm) / 42 kg (5 mm) (temp. ambiente 10 °C, temp. acqua 10 °C)
Dimensioni	350 mm (largh.) x 500 mm (prof.) x 1.600 mm (alt.)	350 mm (largh.) x 500 mm (prof.) x 1.600 mm (alt.)
Refrigerante	R134a, 0,19 kg (GWP: 1.430, CO2: 0,272 t)	R134a, 0,20 kg (GWP: 1.430, CO2: 0,286 t)
Agente erogazione schiuma isolante	Senza HFC	Senza HFC
Peso	Netto: 65 kg (lordo: 71 kg)	Netto: 65 kg (lordo: 71 kg)
Temp. ambiente	1 - 40 °C	1 - 40 °C
Temp. approvvigionamento dell'acqua	5 - 35 °C	5 - 35 °C
Pressione approvvigionamento dell'acqua	0,07 - 0,78 MPa (0,7 - 7,8 bar)	0,07 - 0,78 MPa (0,7 - 7,8 bar)
Gamma di tensione	Tensione nominale $\pm$ 6/10%	Tensione nominale $\pm$ 6/10%

**Il prodotto è dotato di un impianto refrigerante a tenuta ermetica contenente gas fluorurati a effetto serra.**