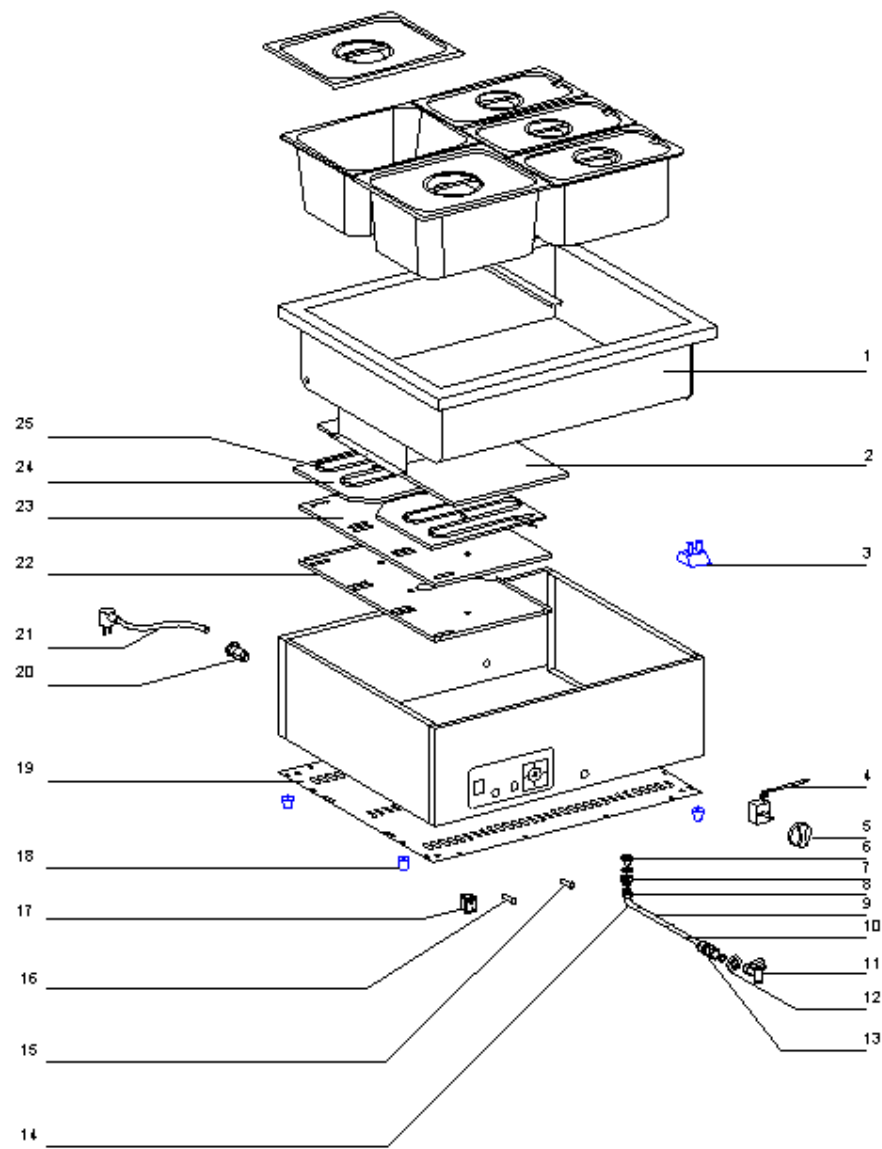


**INSTRUCTIONS FOR USE AND INSTALLATION
BAINS MARIE
BMS / BM3 / BM ECO / BMD**



Made in France



BAIN MARIES

BMS / BM3 / BM ECO /BMD

Nomenclature **BMD**
Spare parts **BMD**

Rep	Code	Qty	Pièce	Spare part
1	40240SE	1	Cuve	Tank
2	65003	2	Plaque aluminium	Aluminium plate
3	A16012	1	Bornier 2 plots	Two holes domino
4	A06021	1	Thermostat	Thermostat
5	A14111	1	Bouton	Knob
6	E02059	1	Bague 3/8	Ring 3/8
7	E02057	1	Contre écrou 12/17	Screw 12/17
8	E02055	1	Ecrou 12/17	Screw 12/17
9	H03020	1	Tube silicone	Silicon pipe
10	B10007	1	Tube cuivre	Copper pipe
11	B10004	1	Robinnet	Tap
12	E02144	1	Contre écrou 12/17	Screw 12/17
13	E02070	1	Union	Union
14	B04009	1	Tuyau	Copper pipe
15	A08003	1	Voyant orange	Orange pilot light
16	A08009	1	Voyant vert	Green pilot light
17	A07025	1	Interrupteur	Switch
18	A13009	4	Pied	Foot
19	40243	1	Fond de socle	Bottom casing
20	A10001	1	Serre cable	Cord closer
21	C03013	1	Cordon avec prise	Cord with plug
22	65005	2	Cache isolant	Insulation protection
23	H02028	2	Isolant	Insulation
24	65004	2	Serre résistance	Heating element holder
25	D02169	2	Résistance	Heating element

Congratulations for the acquisition of this upmarket appliance made in France. You chose an appliance which alloys the best technical qualities with a big user-friendliness. We wish you the biggest contentment

1. SECURITY INSTRUCTIONS

Please respect these instructions scrupulously to avoid any risk of fire, electric shock, scald or other wounds and damage. During the use of this appliance, fundamental circumstances of security must always be noticed, such as:

- Take into account the instructions to be systematically kept with the appliance.
- Install the appliance always in instructions respect. A 10 cm distance minimum with the partition or the wall is necessary.
- Protect the appliance from direct light of the sun, frost and humidity.
- Never leave the appliance within the reach of children or disabled persons without surveillance.
- Never move the appliance when it is working
- Check that the appliance is definitely off before connecting it up or disconnecting it.
- Do not touch the hot surfaces of the appliance. The temperature of the hot surfaces can be very important when the appliance is working. Always use handles and control knobs.
- Do not use the appliance for other functions than determined use.
- Do not leave the cord of electrical feeding in the contact of hot surfaces.
- The appliance should not be used close to combustible materials.
- During use, look after not to obstruct hearings of aeration of the appliance.
- Never connect your bain-marie before having filled the container with water
- Always check water level and add some if necessary.
- To avoid any electric shock, never plunge the appliance, the cord or plug in water or quite other liquid.
- If the cord is harmed, it must be replaced by the producer, his after sale service or persons of similar skills to avoid any risk.
- Entrust compensations only to a skilled person.
- Use only spare parts of origin.
- At the end of cooking, before cleaning the appliance, do not forget to disconnect it.

2. CONTENTS OF CARDBOARD PACKAGING

Device: a bain-marie

Accessories: - 3 containers GN1/3 + 3 lids (only for BM 3)
- The present note

See exploded views of BMS/BM3/BM ECO/BMD at the end of the document.

3. CONFORMITY OF USE

Use the device only to cook or keep warm vegetables, soups...

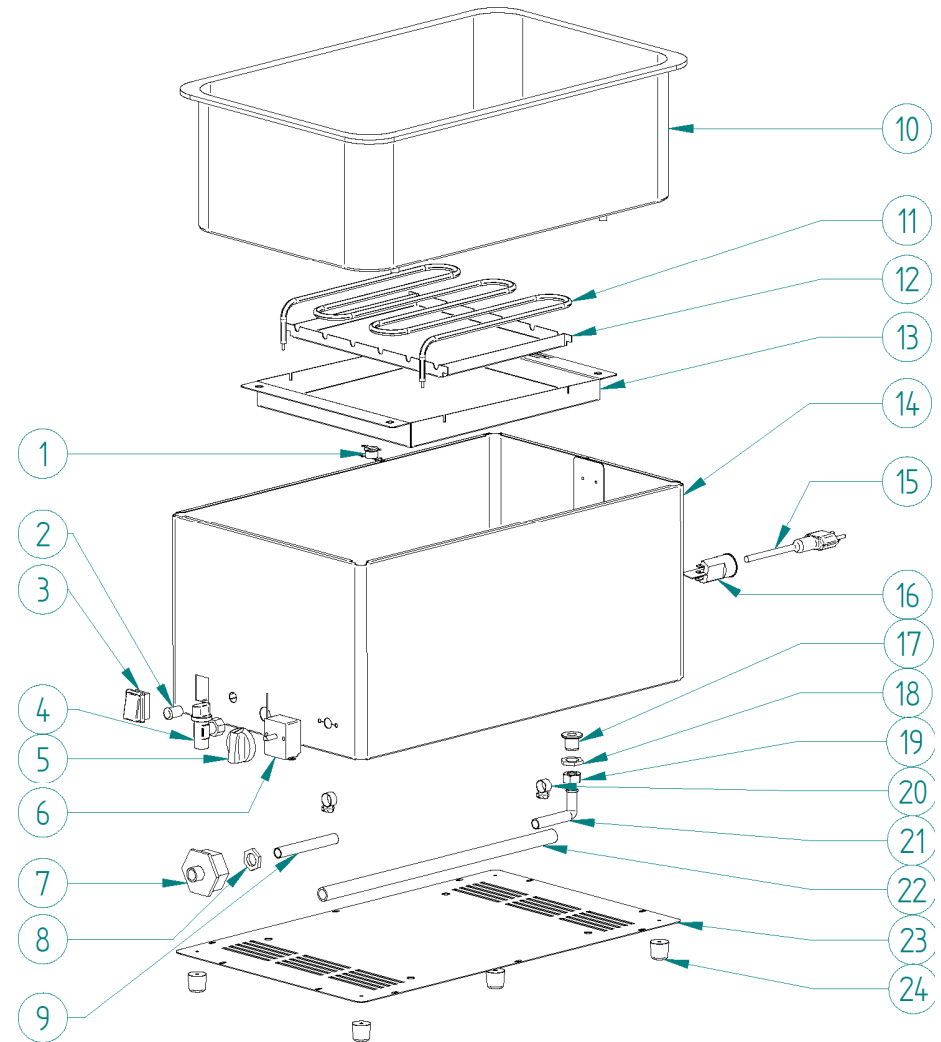
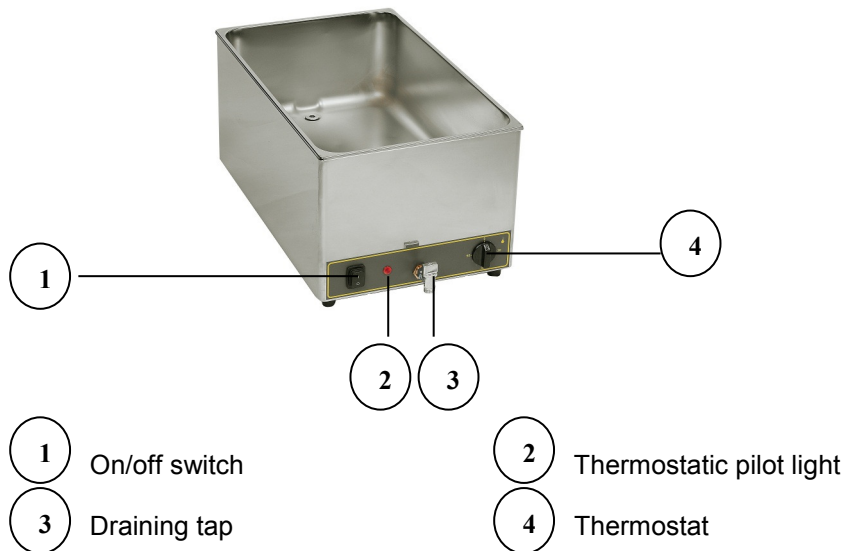
4. WAY OF FUNCTIONING

Bain-maries exist in 4 versions, with or without draining tap and in 2 dimensions. Models BMS, BM3, BM Eco are composed of a container GN 1/1. Double model (BMD) has a capacity of two containers GN 1/1.

When cooking with a bain-marie, food does not come into contact with the heat source (heating element underneath the container) but is cooked or kept warm thanks to the water maintained at 90°C. The complete draining is possible thanks to the tap placed on the front of the device (except for model BMS ECO)

To turn on all models of bain-maries, press the switch (n°1 on picture) on, turn on the thermostat control knob (n°4 on picture) on the wished position (put the thermostat on maximum position won't accelerate the warming up of your machine).

When water reached the wished temperature, the orange pilot light (n°2 on picture) switches off, you can use your machine.



Nomenclature **BMG ECO + VIDANGE**
Spare parts **BMG ECO + VIDANGE**

Rep	Code	Qty	Pièce	Spare part
1	A06034/1	1	Thermostat sécurité	Safety thermostat
2	A08003	1	Voyant orange	Orange pilot light
3	A07025	1	Interrupteur	Switch
4	B10004	1	Robinet	Tap
5	A14111	1	Bouton	Knob
6	A06021	1	Thermostat	Thermostat
7	E02070	1	Union	Union
8	E02144	1	Contre écrou 12/17	Screw 12/17
9	B10007	1	Tuyau	Pipe
10	F05028	1	Bac	Container
11	D02169	1	Résistance	Heating element
12	40046	1	Serre résistance	Heating element holder
13	40048	1	Boîte résistance	Heating element box
14	40014SE	1	Ceinture	Casing
15	C03003	1	Cordon avec prise	Cord with plug
16	A10002	1	Serre cable	Cord closer
17	E02059	1	Bague 3/8	Ring 3/8
18	E02057	1	Contre écrou 12/17	Screw 12/17
19	E02055	1	Ecrou 12/17	Screw 12/17
20	E02005	2	Collier serrage	Clamp collar
21	B04009	1	Tuyau	Pipe
22	H03020	1	Tube silicone	Silicon pipe
23	40017	1	Fond	Bottom casing
24	A13003	4	Pied	Foot

5. FUNCTIONING / MANIPULATION

a) Installation / assembly:

- Unpack carefully the device of its packaging.
- Place the bain-marie on a plane and heatproof surface.
- Never place the device near a wall or near a partition makes of combustible materials even if it is very well isolated.
- A distance of minimum 10 cm with the partition or the wall is necessary.
- Place the machine to enable easy access to the plug.

b) First starting:

Clean the device before the first use. (See 6 Cleaning)
Always filled in the container before connecting the device

Use advice

Check the level of water regularly
Never use the machine without water, it can destroy the heating element and cause an irreversible deformation of the container
During a prolonged non-use (several days), we recommend you strongly to empty the container to avoid evaporation of water and scale deposit.
To avoid quick evaporation, cover the whole tank with containers or lids.

Connection of the device

- Check that the tension and the frequency of the electricity network suit to the values indicated on the descriptive plate.
- Always check that neither the cord nor the plug are harmed or damaged.
- Make sure that every control knob is positioned on 0.
- Unwind completely the electric power cable and connect it in a plug connected with the earth.
- The device is connected.

NB: in case of connection of the device in a plug without earth protection or directly on the electricity network, confide the connection of the device to a qualified person .

c) Use of device :

Elements of command and display

Command/Display	Function
Switch (n°1 on picture)	On/off
Thermostat (n°4 on picture)	Temperature setting
Green pilot light (only on BMD)	Machine on (pilot light on) Machine off (pilot light off)
Orange pilot light (n°2 on picture)	Water is warming up (pilot light on) Wished temperature reached (pilot light off)

Putting on

Press the switch (n°1 on picture) on.

Turn the thermostat control knob (n°4 on picture) on the wished position: the orange pilot light (n° 2 on picture) is on: water is warming up.

When selected temperature is reached, the orange pilot light (n° 2 on picture) switches off.

Temperature setting

Select the temperature by positioning the thermostat control knob (n°4 on picture) on the wished temperature.

Attention : if the temperature is too high, water is going to evaporate quickly.

Think to cover the whole tank with containers or lids to limit evaporation of water.

Stopping the device

Set the thermostat control knob (n°4 on picture) on 0.

Press the switch (n°1 on picture) on 0 : the device is completely off.

Disconnect the device.

Let the device cool.

Clean it (See 6. Cleaning)

d) Breakdown / repair:

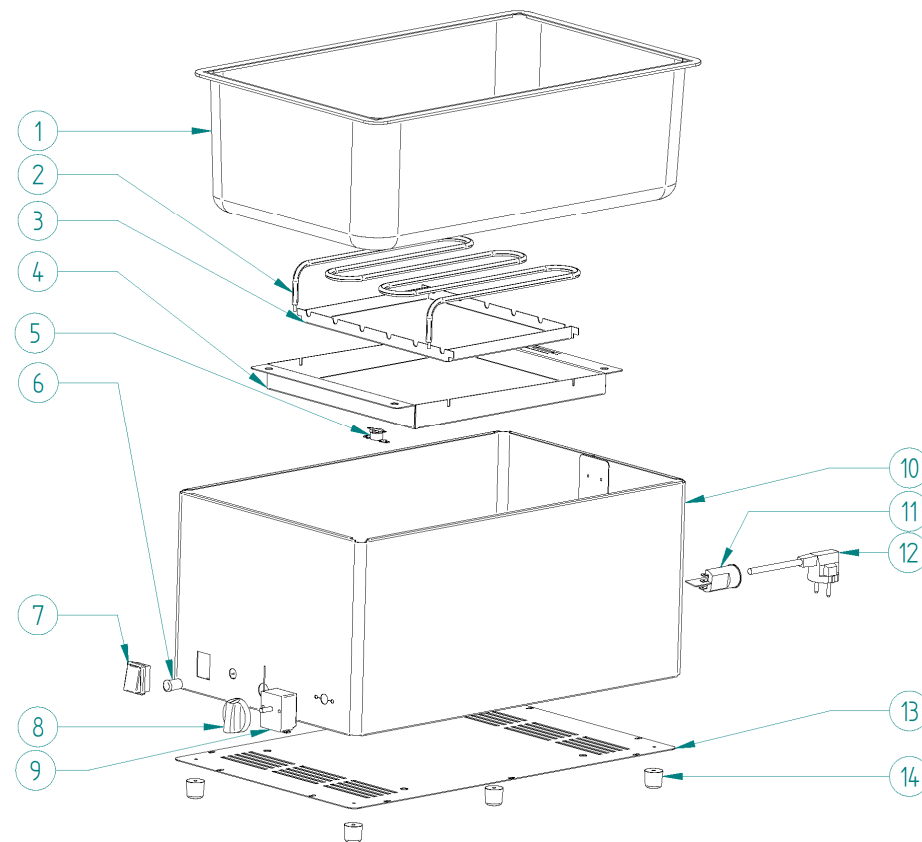
In case of breakdown or of damaged part, please call your after-sales service and confide any technical operation to qualified person.

When you contact the after-sales service of your Distributor or your store, give him the complete reference of your device (commercial, typical name and serial number). This information appears on the visible descriptive plate behind the device.

6. CLEANING AND MAINTENANCE

Disconnect the device.

- Let cool completely the device before any technical intervention or cleaning.
- Clean regularly the external walls of your device with of warm water and wash liquid: avoid the abrasive towelling. Rinse your device with a wet sponge.
- Never clean the device under a water jet, the infiltrations would risk to damage it in a irreparable way.
- Never immerse the device, the cordon or the plug in the water or quite other liquid to avoid any electric shock.
- Regularly change the water to avoid any scale deposit
- Never use abrasive product or vinegar; it could damage the container in irremediable way.



Nomenclature **BMS ECO SS VIDANGE**
Spare parts **BMS ECO NO TAP**

Rep	Code	Qty	Pièce	Spare part
1	F05027	1	Bac	Container
2	D02169	1	Résistance	Heating element
3	40046	1	Serre résistance	Heating element holder
4	40048	1	Boîte résistance	Heating element box
5	A06034/1	1	Thermostat sécurité	Safety thermostat
6	A08003	1	Voyant orange	Orange pilot light
7	A07025	1	Interrupteur	Switch
8	A14111	1	Bouton	Knob
9	A06021	1	Thermostat	Thermostat
10	40014SE	1	Ceinture	Casing
11	A10002	1	Serre cable	Card closer
12	C03002	1	Cordon avec prise	Cord with plug
13	40017	1	Fond	Bottom casing
14	A13003	4	Pied	Foot

7. TECHNICAL SPECIFICATIONS

Models	BMS	BM3	BM ECO	BMD
Outside dimensions mm	560x390x270	560x390x270	600x320x260	695x640x260
Weight	13 Kg	16 Kg	13 Kg	25 Kg
Power	1750 W	1750 W	1750 W	3500 W
Nb element	1	1	1	2
Current	7.6 A	7.6 A	7.6 A	15 A
Voltage	220-240 V ~	220-240 V ~	220-240 V ~	220-240 V ~

Wires colour correspondence

Phase
Neutral
Earth

Brown / Black / Grey
Blue
Yellow-Green

8. NORMS AND LEGALS DISPOSALS

The device is conform to :

IEC/EN 60335-1
IEC/EN 60335-2-50
EN 55014-1 + 55014-2
EN 61000-3-2 + 61000-3-3

9. ELIMINATION OF THE ELECTRIC AND ELECTRONIC WASTE

The device respects the directives:

2002 / 96 / CE (DEEE) N°34270064800021
2002 / 95 / CE (ROHS)
2006/95 CE
2004/108 CE



Reach rule

Never put the device among household waste.

The device must be put down in a centre of recycling for the electric equipments .

The materials of the device are indeed reusable. By eliminating correctly the electric and electronic wastes, the recycling and quite other shape of re-use of worn equipments, you participate in a significant way in the environmental protection.

For any information about the collection of electric and electronic waste, please contact your distributor.

10. GUARANTEE

Conditions of guarantee

The guarantee applicable to any device is the commercial guarantee of the distributor or the retailer. Please contact the store where you bought your device to know the precise conditions.

The guarantee grants no right for damages.

The dispositions which follow are not exclusive of the profit of the legal guarantee planned by articles 1641 and following ones of the Civil code relative to the defects and the latent defects.

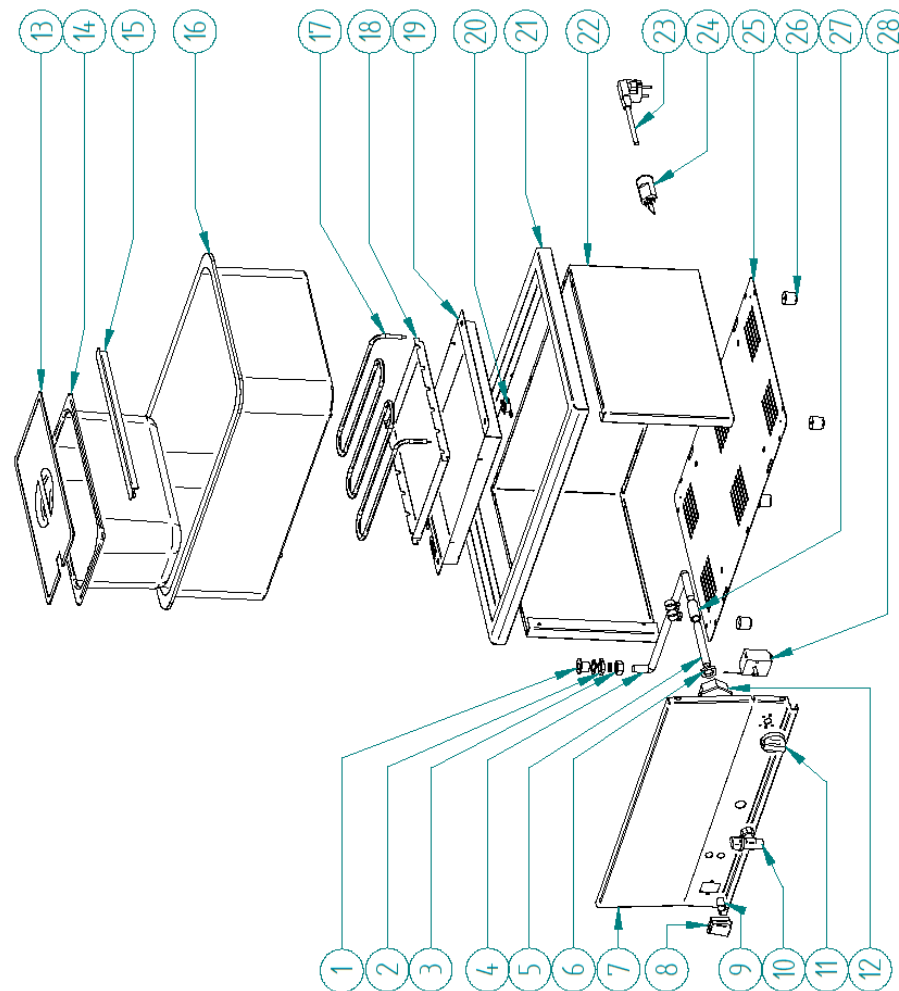
Exclusion clauses of the guarantee

Bad installation and bad cleaning, in particular if they do not respect regulations or instructions appearing in this user guide.

Cannot benefit from the guarantee the repairs required as a result of false operations, of inappropriate use, of carelessness or of excess loads of the device, as well as those resulting from variations of the power supply, over tension or from defective installations.

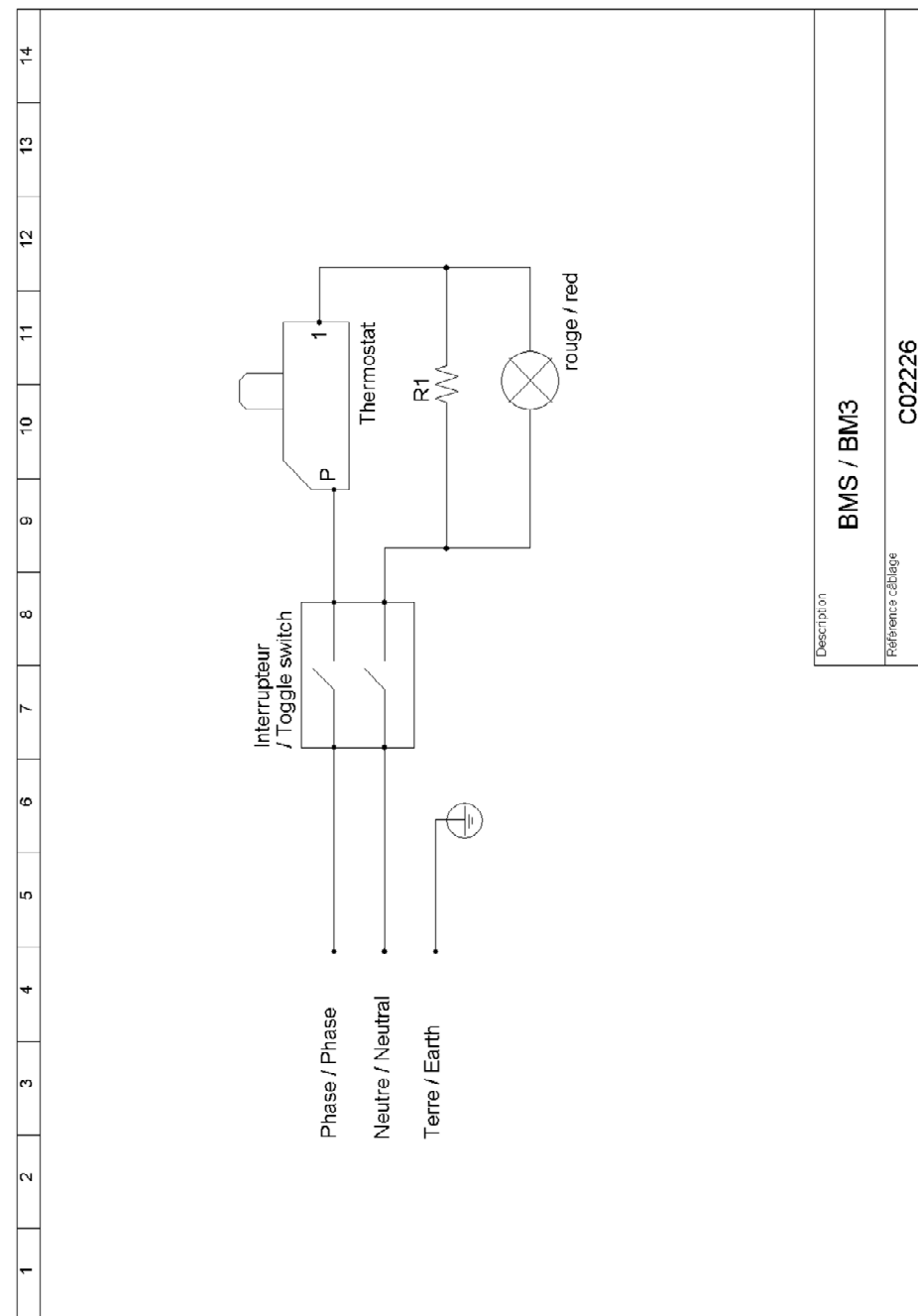
The damage due to shocks, bad weather is not flatware by the guarantee. The material travels at the risks of the user; in case of delivery by carrier, the consignee has to have reservations towards the carrier before any delivery of the device.

The guarantee comes to an end in case of intervention, of repair, of modification by no qualified persons, or of use in inappropriate purposes.



Nomenclature **BM3**
Spare parts **BM3**

Rep	Code	Qty	Pièce	Spare part
1	E02059	1	Bague 3/8	Ring 3/8
2	E02057	1	Contre écrou 12/17	Lock nut 12/17
3	E02055	1	Ecrou 12/17	Screw 12/17
4	B04047	1	Tube cuivre	Copper pipe
5	B10007	1	Tuyau	Pipe
6	E02144	1	Contre écrou 12/17	Contre écrou 12/17
7	40012	1	Bandeau avant	Front control panel
8	A07025	1	Interrupteur	Switch
9	A08003	1	Voyant orange	Orange pilot light
10	B10004	1	Robinnet	Tap
11	A14111	1	Bouton	Knob
12	E02070	1	Union	Union
13	F05007	3	Couvercle	Lid
14	F05001	3	Bac	Container
15	40207	2	Traverse	Container holder
16	F05028	1	Bac	Container
17	D02169	1	Résistance	Heating element
18	40046	1	Serre résistance	Heating element holder
19	40048	1	Boîte résistance	Heating element box
20	A06034/1	1	Thermostat sécurité	Safety thermostat
21	40010	1	Cadre	Frame
22	40011	1	Ceinture	Casing
23	C03002	1	Cordon avec prise	Cord w with plug
24	A10002	1	Serre cable	Cord closer
25	40013	1	Fond	Bottom casing
26	A13003	4	Pied	Foot
27	H03020	1	Tube silicone	Silicon pipe
28	A06021	1	Thermostat	Thermostat

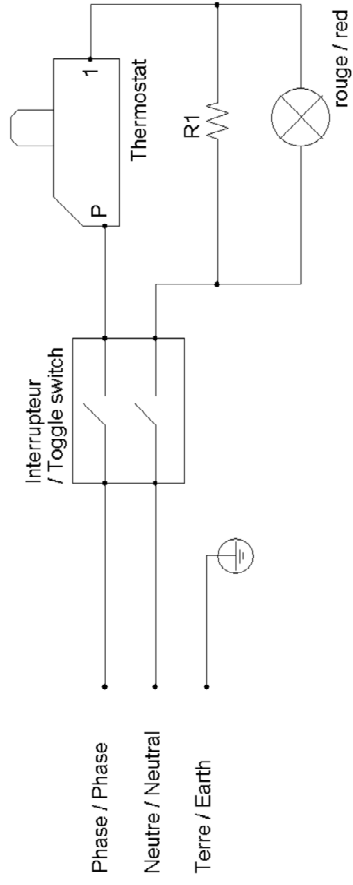


Description

BMS / BM3

Reference câblage

C02226

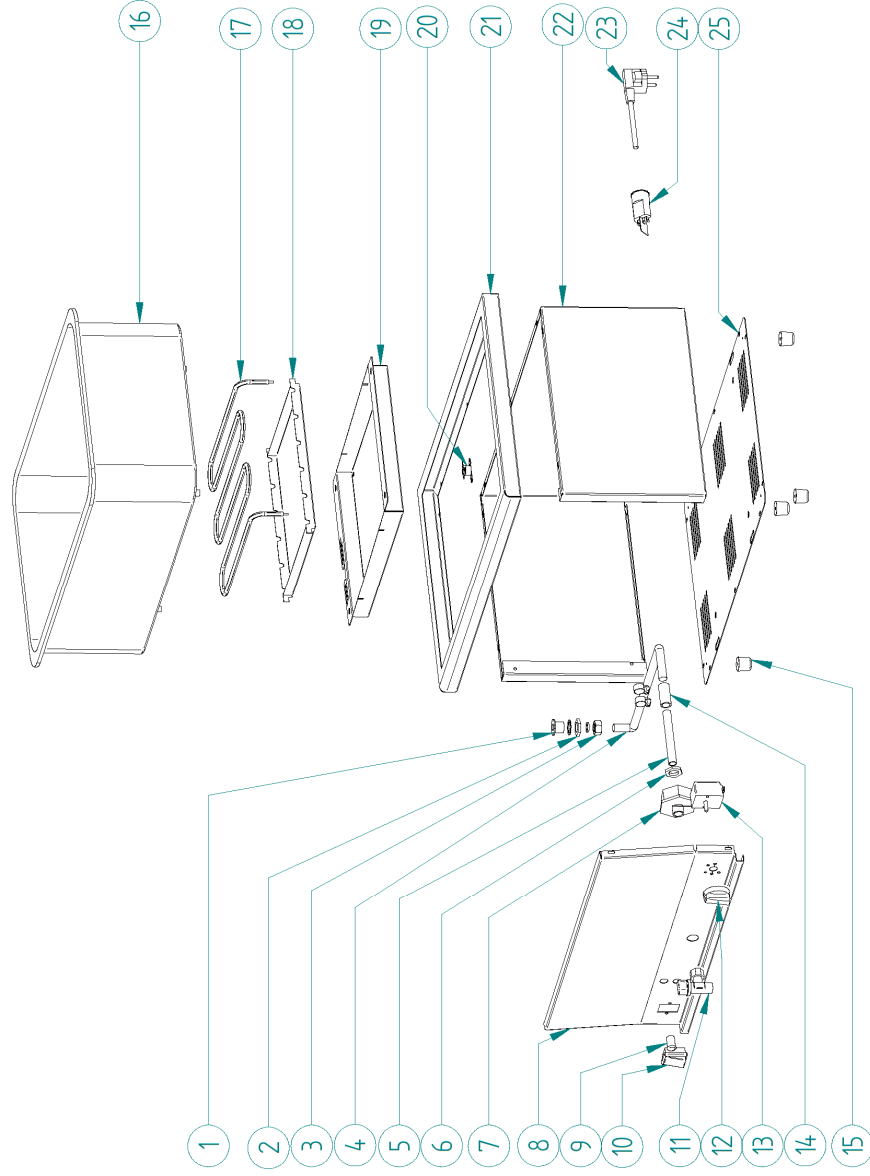


Description

BMG ECO / BMS ECO

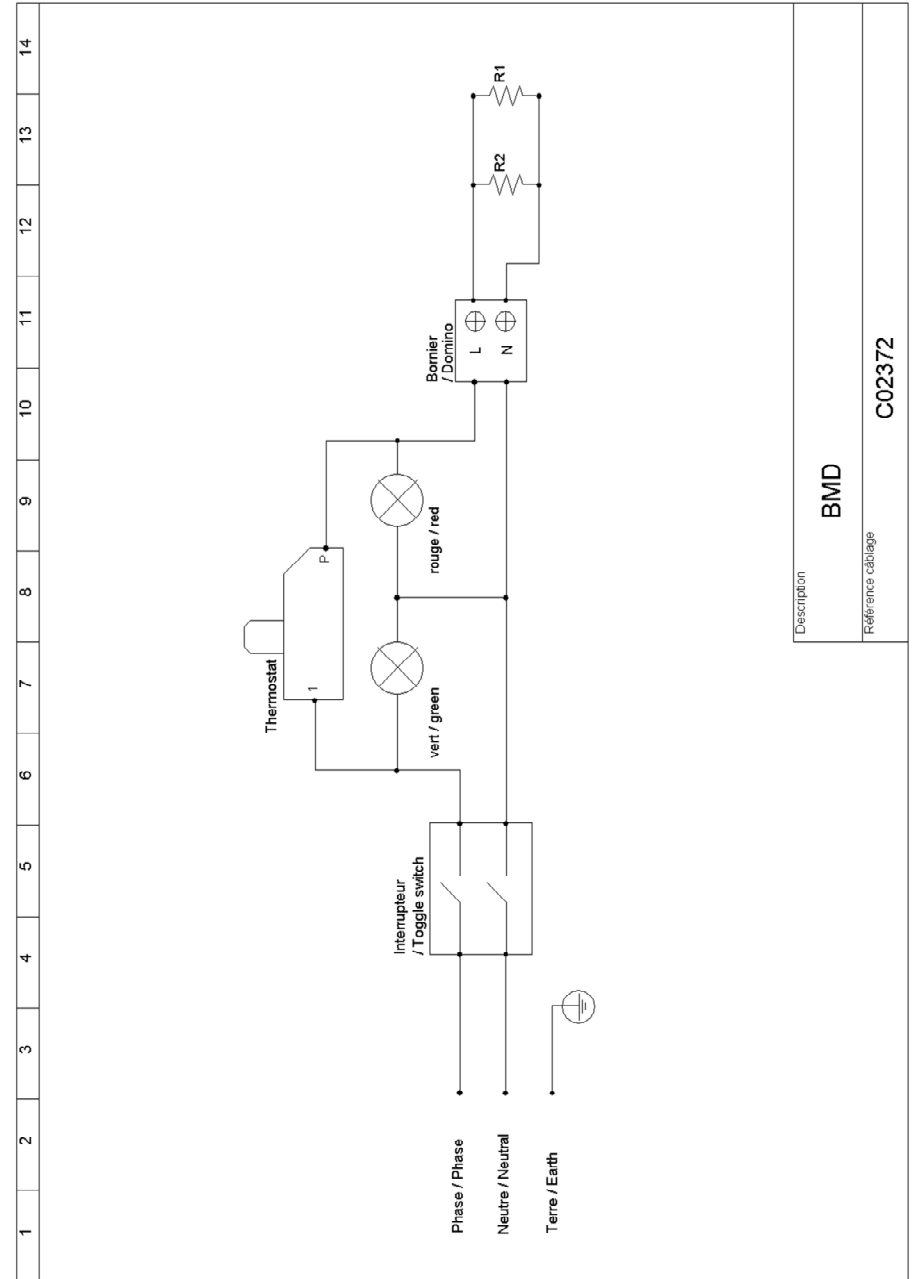
Reference câblage

C02225



Nomenclature **BMS**
Spare parts **BMS**

Rep	Code	Qty	Pièce	Spare part
1	E02059	1	Bague 3/8	Ring 3/8
2	E02057	1	Contre écrou 12/17	Lock nut 12/17
3	E02055	1	Ecrou 12/17	Screw 12/17
4	B04047	1	Tube cuivre	Copper pipe
5	B10007	1	Tuyau	Pipe
6	E02144	1	Contre écrou 12/17	Contre écrou 12/17
7	E02070	1	Union	Union
8	40012	1	Bandeau avant	Front control panel
9	A08003	1	Voyant orange	Orange pilot light
10	A07025	1	Interrupteur	Switch
11	B10004	1	Robinet	Tap
12	A14111	1	Bouton	Knob
13	A06021	1	Thermostat	Thermostat
14	H03020	1	Tube silicone	Silicon pipe
15	A13003	4	Pied	Foot
16	F05028	1	Bac	Container
17	D02169	1	Résistance	Heating element
18	40046	1	Serre résistance	Heating element holder
19	40048	1	Boîte résistance	Heating element box
20	A06034/1	1	Thermostat sécurité	Safety thermostat
21	40010	1	Cadre	Frame
22	40011	1	Ceinture	Casing
23	C03002	1	Cordon avec prise	Cord with plug
24	A10002	1	Serre cable	Cord closer
25	40013	1	Fond	Bottom casing



Description

BMD

Référence câblage

C02372