

CONTENTS

CHAP.1 INTRODUCTION	3
CHAP.2 INSTALLATION.....	3
2.1 HANDLING AND UNPACKING.....	3
2.2 ELECTRICAL CONNECTION.....	4
2.3 WATER CONNECTION.....	4
2.4 DRAIN CONNECTION.....	5
2.5 ADJUSTMENTS	5
2.6 RINSE-AID DISPENSER	5
2.7 DETERGENT	6
CHAP.3 SAFETY RECOMMENDATIONS.....	6
3.1 RESIDUAL RISKS AND WARNINGS	6
3.2 SAFETY DEVICE.....	7
CHAP. 4 USE OF MACHINE	8
4.1 DESCRIPTION OF THE COMMANDS	8
4.2 USING THE MACHINE	9
4.3 END OF CYCLE OPERATIONS.....	10
CHAP.5 MAINTENANCE.....	11
5.1 GENERAL RULES.....	11
5.2 PERIODIC MAINTENANCE (TO BE DONE AT LEAST EVERY 20 DAYS).....	11
CHAP.6 DISMANTLING	12
6.1 DISMANTLING THE MACHINE	12

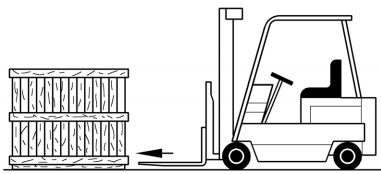
CHAP.1 INTRODUCTION

The warnings contained in this manual provide important information for safely installing, using and servicing this machine.

The operator is required to read this manual before starting any operation involving handling, installation, use, maintenance or disassembly of the machine. This manual must be kept intact and in a safe place for frequent consultation.

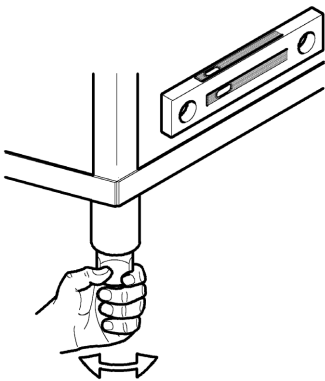
CHAP.2 INSTALLATION

2.1 HANDLING AND UNPACKING



- Move the machine very carefully using a forklift.
- Make sure the equipment is not damaged, if it is immediately inform the dealer and shipper. If in doubt do not use the machine until it has been checked by professionally trained personnel.
- Move the machine to the site where it will be used and remove the packing.

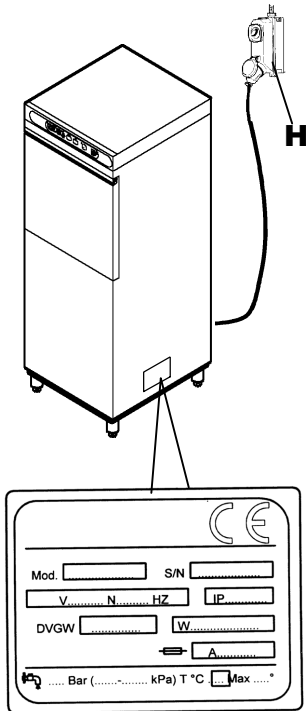
Packing materials (plastic bags, polystyrene, nails) can be dangerous and must be kept out of the reach of children.



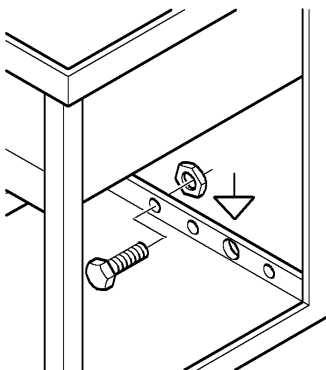
- The installation must be carried out according to the manufacturer's instructions and by professionally trained personnel.
- Only a fixed connection is suitable for this equipment.
- Position the machine and level it perfectly using the feet.
- The flooring must be suitable for the overall weight of the machine.
- Follow the indications on the installation drawing and set-up the electrical, water and drain systems in the wash area.



2.2 ELECTRICAL CONNECTION



1. Connection to the power supply must be made with a main switch (H) it must be omnipolar and interrupt all contacts including neutral. There must be a distance of at least 3 mm between open contacts, and it must have a thermal magnetic safety switch or fuses which are able to withstand the maximum power indicated on the plate.
2. Make sure that the power supply corresponds to that on the technical features plate on the right side of the machine.
3. Use an effective earthing system in compliance with local laws to protect the safety of the operators and not damage the machine.
4. Do not use adapters, multiple sockets or extension cords.
5. The equipment must be included in an equipotential system, and connected using a screw marked with the symbol. The equipotential wire must be 10 mm².



If the power supply cable (provided with the equipment) needs to be replaced use another H07RN-F type with the same dimensions.

For additional information see the wiring drawing.

2.3 WATER CONNECTION

Set-up the site according the attached plumbing drawing.

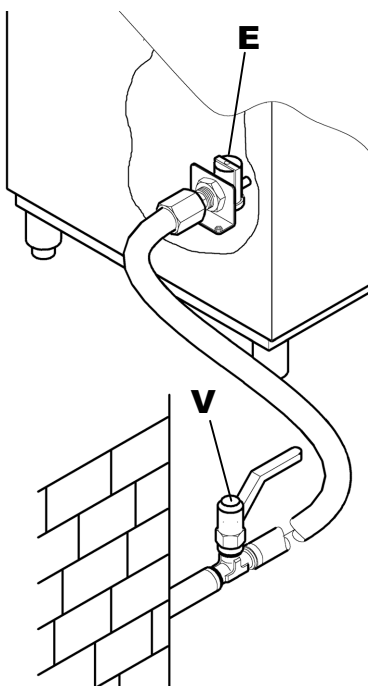
Before connecting the equipment make sure that a gate valve has been placed between the water supply and the equipment so that the water can be turned off if required or for repair work.

Use a hose to connect the solenoid valve (E) to the gate valve (V) and make sure that the delivery is not less than 20l/min.

Check that the temperature and water pressure correspond to what is shown on the technical specifications plate.

If the water is harder than what is listed in the chart, it is advisable to install a decalcifier upline from the solenoid valve.

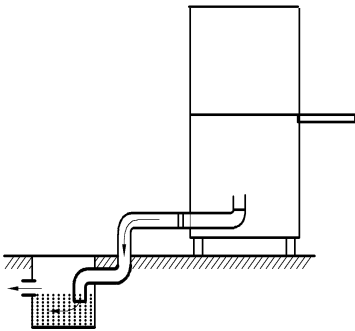
If there are high concentrations of very conductive minerals in the water, it is advisable to install a demineralization system calibrated to the hardness shown in the following chart.



	Specification		From	To
Hardness	French degrees	f	5	10
	German degrees	°dH	4	7'5
	English degrees	°e	5	9,5
	Parts per million	ppm	70	140
Residual Minerals	Maximum	mg/l	300/400	



2.4 CONNECTION TO THE DRAIN LINE



The tank empties by gravity, so the drain needs to be situated below the base of the machine.

The drain pipe needs to be connected to a drain- trap built into the floor.

The drain dimensions are shown in the installation drawing.

2.5 ADJUSTMENTS AND CHECKS



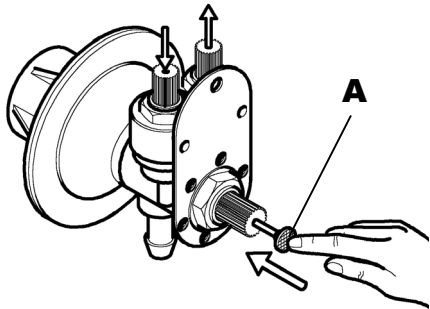
The temperature of the wash tank is regulated by a fixed thermostat at about 55° C. This temperature ensures proper action by the chemicals contained in industrial dishwashing detergents.



The boiler temperature set by a fixed thermostat is about 85° C.

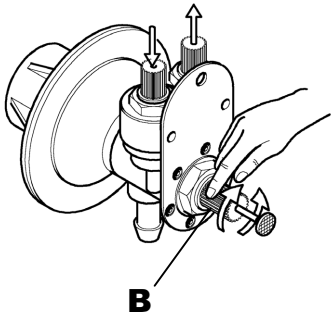


2.6 RINSE-AID DISPENSER



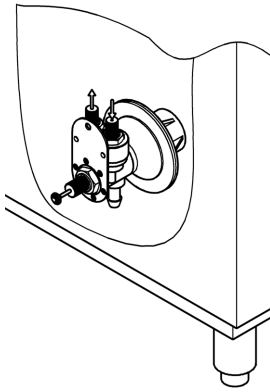
Before adjusting, the dispenser and hose need to be filled using the primer button (A).

To adjust use the ring nut (B) situated at the center of the dispenser, rotating clockwise reduces the quantity, counterclockwise increases it.



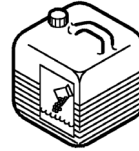
The dispenser must not operate empty

An excessive amount of rinse agent causes bluish stripes on the dishes and creates foam in the wash tank.



If the glassware is covered with droplets of water and it dries rather slowly this means that the amount of rinse agent is insufficient.

7 cm. of tubing = 1 gram of product



2.7 DETERGENT

Equipment without a detergent dispenser

Put the amount of detergent recommended by the manufacturer into the tank. Depending on the type of detergent this may vary from 2 to 4 gr/lit of water in the tank. Detergent needs to be added approximately every 5 washes as per the manufacturer's instructions.

The above amounts are for water with a hardness of 5-10°F (French degrees).

Machine equipped with detergent dispenser (optional)

Regulations:

A trimmer (**A**) allows to determine the «ON-OFF» time and consequently the amount of detergent required.

- Turning the adjustment trimmer clockwise or counter-clockwise will respectively decrease or increase the amount of rinse aid it delivers.
- To optimise the calibration, evaluate the results of some washing cycles.



BE CAREFUL!

The level in detergent tank must not get empty or filled with corrosive or inadequate products.

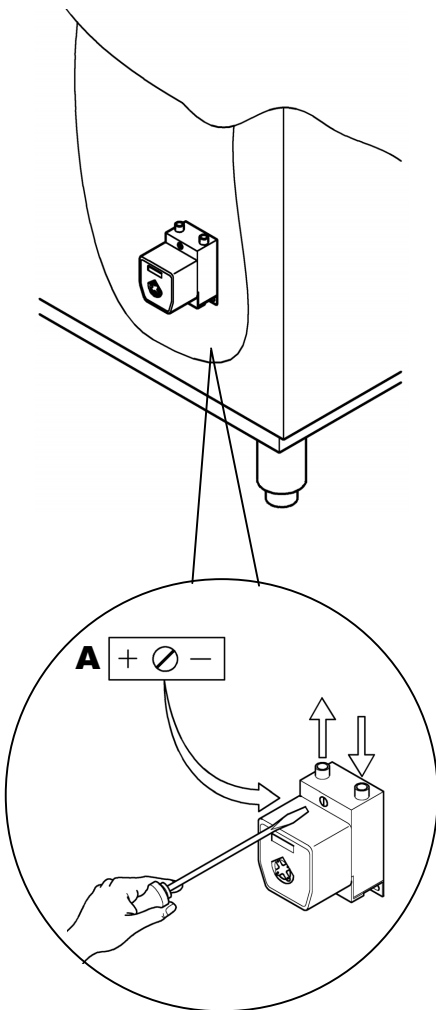
The warranty does not cover damages caused by an improper use of dispenser.

CHAP.3 SAFETY RECOMMENDATIONS

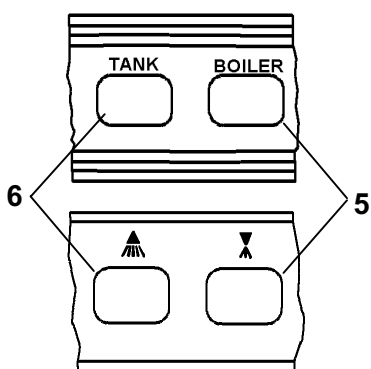


3.1 RESIDUAL RISKS AND WARNINGS

- Never open the door quickly if the cycle has not finished.
- Do not put bare hands into the wash solution.
- Never remove the machine panels if the power upline has not been turned off.



- The professionally trained personnel who install the machine and connect the electricity, will explain to the user how to operate the machine and which safety measures to use.
- The installer will provide practical demonstrations and leave written instructions which are provided with the machine.
- **This machine is only to be used for the purpose for which it was designed. Any other use is considered improper and dangerous.**
- The machine is not to be used by untrained personnel.
- Never use the machine if any of the protections (microswitches, panels or other) provided by the manufacturer are missing.
- Do not use the machine to wash objects not compatible with those indicated by the manufacturer.
- All repair work must be done by the manufacturer or an authorized service center using original spare parts.
- Failure to observe this may affect the safety of the machine.
- The power supply should be turned off when the machine is not being used.
- Never put magnetic items close to the machine
- Never use the machine if not provided with the filters in the tank



The board can recognize various breakdowns.

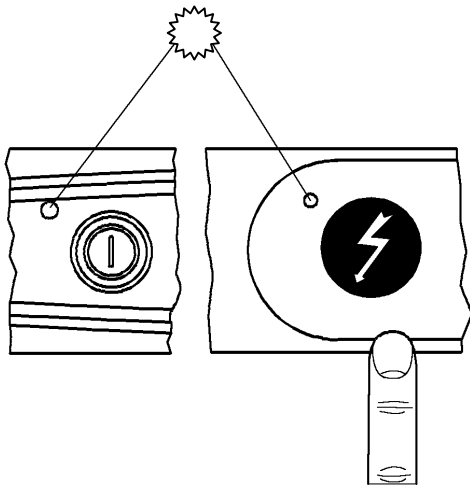
3.2 SAFETY FEATURES

Faults are easily seen from the messages on the screen (5 and 6) and from any interruption of the operations in progress only in cases (1 and 3) listed below

WARNING! Turning the machine off and then on again resets the warning, which will appear again if the problem has not been resolved.

		Display on the Message	
PROBLEM:		Tank (6) ▲	Boiler (5) ▼
1	TANK NOT FILLED OR OVERFILLED (if ≥10 min have elapsed, correct level of water has not been reached in the tank)	Er	04
2	BOILER PROBE FAILURE (if the probe is not connected correctly or damaged) (if the probe is short circuited or damaged)	Er Er	07 08
3	OVERTEMPERATURE (excessive boiler and tank temperature) (intervention safety thermostat)	HI SA	HI FE
4	TANK PROBE FAILURE (if the probe is not connected correctly or damaged) (if the probe is short circuited or damaged)	Er Er	05 06
5	RINSE (Boiler has failed to fill)	Er	09
6	BOILER (Boiler resistor failure) (Heating overtime)	Er	03

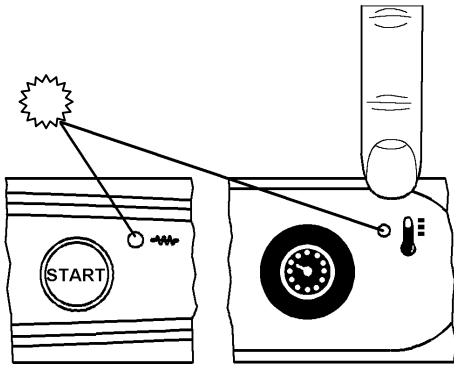
1



Chap. 4 USE OF MACHINE
4.1 DESCRIPTION OF THE COMMANDS

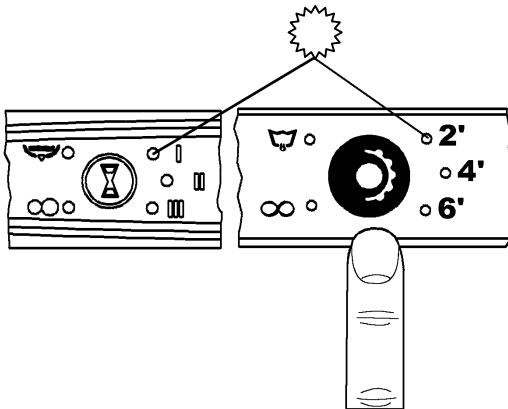
1. To turn the machine on, press the button indicated at left/right (the corresponding warning light will light up).

2



2. The machine is ready to use when the light comes on. (Red= heating).

3



3. Press the button indicated at right/left to select the cycle.

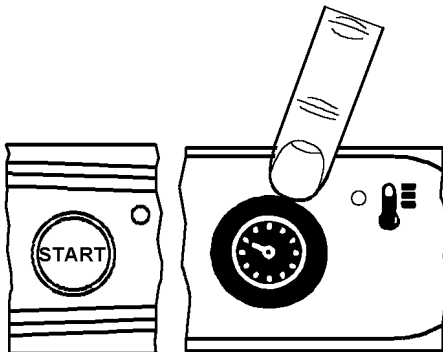
I (2') **II (4')** **III (6')**

Short cycle	Medium cycle	Ciclo intensive
-------------	--------------	-----------------

The light comes on according to the time selected.

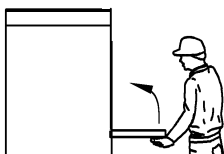
NB: choose the "∞" for longer wash cycles.

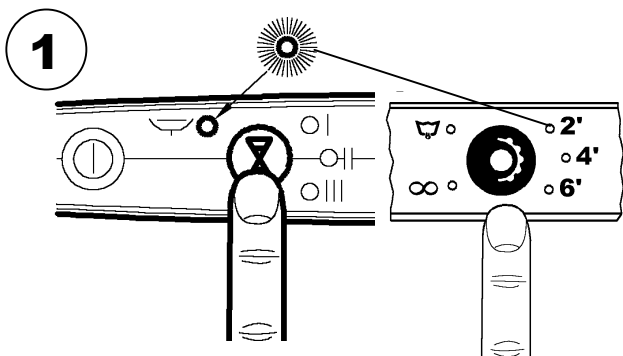
4



4. Close the door and push the button indicated, the machine will start automatically.

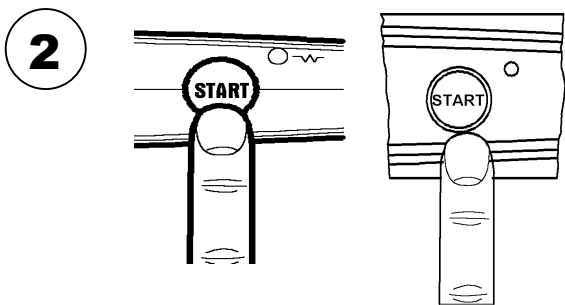
For subsequent washes push the button.
NB: press the button to interrupt the "∞" cycle (repeat sequence 3 for new wash programs).





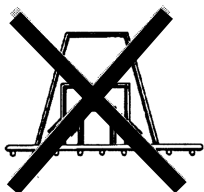
4.1.1 Automatic water drainage (optional)

1. Press the button indicated at left/right and select the drainage programme (the corresponding warning light will light up).



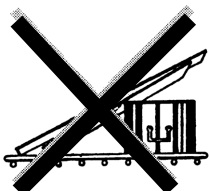
2. Press the button indicated at left/right and the machine will automatically drain the water out of the machine.

4.2 USE OF THE MACHINE



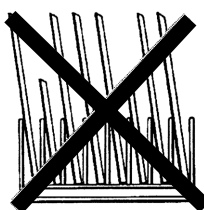
- Pour the proper amount of detergent in the wash tank according to the producer's instructions.

- **The detergent must be the industrial type or possibly foamless.**



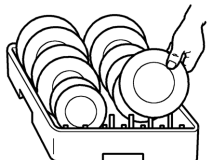
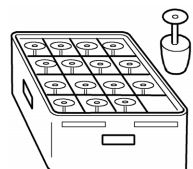
- Never put your bare hands in the wash water; place the cups and the glasses upside down in the baskets. Place the dishes in the proper basket with support pins and their inner surface must be facing up.

- Place the silverware and the coffee spoons with the handles facing down.



- Never place silverware and stainless steel cutlery in the same basket. This could cause the silver to burnish and the stainless steel to corrode.

- Use the proper baskets specifically designed for the different type of glassware (dishes, glasses, cups, silverware etc.). To save on detergent and electricity only wash when the baskets are full, but do not overload them. Avoid stacking glassware.



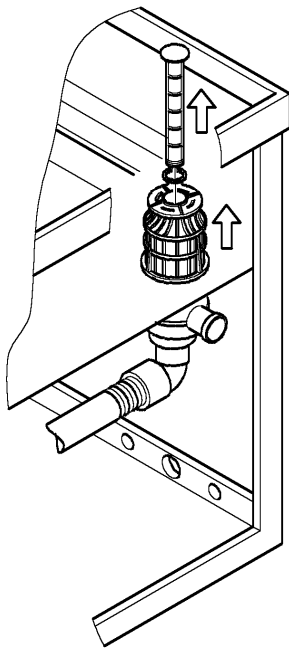
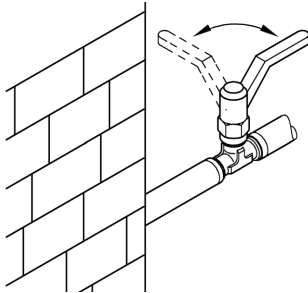
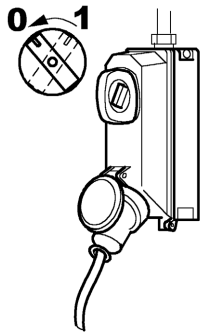
- **WE RECOMMEND TO PRE-CLEAN** the glassware in order to minimize maintenance. The quality of final wash results will be greatly improved by first removing food particles, lemon peels, toothpicks, olive pits, etc. which could partially clog the pump filter and impair washing efficiency.

We recommend washing the glassware before food particles dry on its surface. It is good practice, when dried food waste is involved, to first soak the glassware and silverware before introducing them into the machine.



OK!

4.3 FINAL OPERATIONS



- Remove tension from the machine.
- Open the door and remove the rack with clean dishes.
- Drain the water from the tank by lifting the overflow-pipe. For the model with drain pump please follow the operations described in the «Use instructions» paragraph.
- Disconnect the main switch of the equipment.
- Close the «rolling shutter valve» for the hydraulic connection.
- Remove the filters clean them under a water jet with a nylon brush.
- Pay attention not to let any dirtiness rests on the bottom of the drain pump filter inside the tank. Clean the tank with a moderate water jet. Wash outside surfaces when are cold with non-abrasive products which are especially studied for steel maintenance.

REMARK: Do not wash the equipment with direct jet or at another pressure because eventual infiltrations to the electric components may harm the regular working of the equipment or of the single safety systems, and penalty for this would be the loss of guarantee.

CHAP. 5 MAINTENANCE

5.1 GENERAL RULES

The machine are designed to reduce maintenance requirements. It is necessary to observe the following rules to make the machine last long, and work without problems.

In any case, it is necessary to observe the following rules to make the machine stay in perfect working order:

- keep the machine clean and in good condition
- avoid making temporary or urgent repairs frequently

It is very important to observe the maintenance directions; check all the different parts of the machine periodically, so that no anomaly can occur, thus anticipating the time and equipment needed for any maintenance work.

Before cleaning turn off the power.

5.2 PERIODIC MAINTENANCE (to be done at least every 20 days)

To make operations following easier, the rack-holder frame can be removed from its seat.

- Remove the upper and lower rinse arms, by unscrewing the fastening.
 - Unscrew and clean all the sprayers and put them back in their place.
 - Remove the upper and lower wash-arms by unscrewing the rinse pin , clean and rinse them.
 - Remove the wash pump filter, clean it and rinse it.
 - Thoroughly clean the wash tank.
 - Leave the appliance lid open for the whole resting period.
 - Lime deposits and scale will build up on the inner surfaces of the boiler, tank and pipelines due to calcium and magnesium salts present in the water. These scales and deposits can prejudice proper appliance operation.
 - The appliance must be periodically descaled and we recommend that this must be done by an expert.
-

- Grease steel surfaces with vaseline oil whenever the appliance will be inactive for a long period of time.
- Have an expert drain all the water out from the boiler and the wash pump to avoid the danger of ice formation.



- **If the machine does not operate properly or in case of trouble, call a service center authorized by the manufacturer of the appliance or by his Dealer.**

CHAP. 6 RECYCLING AND DISPOSAL

6.1 DISPOSAL THE MACHINE

Our machines are not made of materials that require particular disposal procedures.

INHALT

KAP.1 VORWORT	15
KAP.2 INSTALLATION	15
2.1 BEFÖRDERUNG UND AUSPACKEN	15
2.2 STROMANSCHLUSS	16
2.3 WASSERANSCHLUSS	16
2.4 ANSCHLUSS AN DIE ABLAUFLEITUNG	17
2.5 EINSTELLUNGEN UND KONTROLLEN	17
2.6 DOSIERER DES KLARSPÜLERS	17
2.7 SPÜLMITTEL	18
KAP.3 SICHERHEITSHINWEISE	18
3.1 EVENTUELLE GEFAHREN UND WARNHINWEISE	18
3.2 SICHERHEITSVORRICHTUNGEN	19
KAP.4 BETRIEB DER MASCHINE.....	20
4.1 Beschreibung der Bedienungen.	20
4.2 BEDIENUNGSANLEITUNG.....	21
4.3 Tätigkeiten bei Ende des Spülganges.	22
KAP.5 WARTUNG.....	23
5.1 ALLGEMEINE VORSCHRIFTEN	23
5.2 REGELMÄSSIGE WARTUNG (mindestens alle 20 Tage)	23
KAP.6 ABBAU	24
6.1 ABBAU DER MASCHINE.....	24

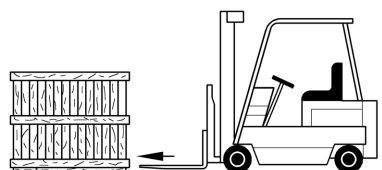
KAP.1 VORWORT

Die in diesem Handbuch enthaltenen Vorschriften geben wichtige Hinweise zur Sicherheit der verschiedenen Phasen: Installation, Bedienung und Wartung.

Das Bedienungspersonal hat die obligatorische Pflicht, das vorliegende Handbuch zu konsultieren, bevor die Maschine bewegt, installiert, benutzt, gewartet oder außer Betrieb gesetzt wird. Das Handbuch muss deshalb in vollständigem Zustand aufbewahrt werden und eventuell sind Kopien für die laufende Benützung bereitzuhalten.

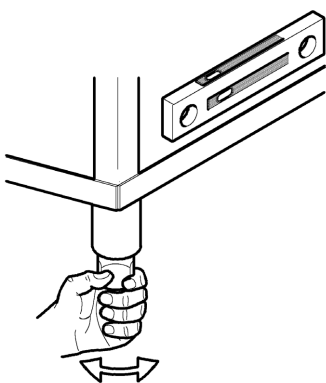
KAP.2 INSTALLATION

2.1 BEFÖRDERUNG UND AUSPACKEN



- Die Beförderung muss mit äußerster Sorgfalt mittels Hubstapler erfolgen.
- Zustand der Maschine kontrollieren; im Falle sichtbarer Beschädigungen umgehend den Verkäufer und den Spediteur, der den Transport durchgeführt hat, informieren. Im Zweifelsfall die Maschine nicht benützen, bevor sie nicht von Fachpersonal überprüft wurde.
- Die Maschine an die zur Installation vorgesehene Stelle transportieren und von der Verpackung befreien.

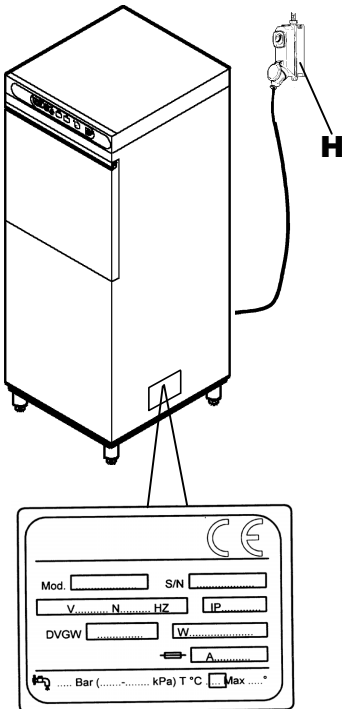
Die Verpackungselemente (Plastiksäcke, Polystyrol, Nägel, etc.) dürfen nicht für Kinder erreichbar sein, da sie eine potentielle Gefahr darstellen.



- Die Installation muss nach Anleitung des Herstellers von qualifiziertem Fachpersonal durchgeführt werden.
- Dieser Apparat ist nur für einen festen Anschluss geeignet..
- Die Maschine in die richtige Position bringen und perfekt ausbalancieren, indem man die entsprechenden Füßchen reguliert.
- Der vorgesehene Bodenbelag muss dem Gesamtgewicht der Maschine entsprechend beschaffen sein.
- Unter Einhaltung der Hinweise auf dem Installationsplan sind die Strom- und Wasserversorgung, sowie die Abflussanlage vorzubereiten.



2.2 STROMANSCHLUSS



1. Der Netzanschluß muss mit einem Hauptschalter (H) für alle Pole versehen sein, so dass er alle Kontakte – einschließlich der Erdleitung - unterbricht; Mindestabstand von 3 mm zwischen offenen Kontakten; mit thermomagnetischer Auslösung oder verbunden mit Schmelzsicherungen, die in der Lage sind, die angegebene Höchststromstärke auszuhalten.
2. Sicherstellen, dass die Spannung und Frequenz des Stromnetzes den Angaben des Schildes auf der rechten Seite der Maschine entsprechen.
3. Eine fachgerechte Erdung, wie sie von den geltenden Unfallverhütungsvorschriften vorgegeben wird, stellt eine Garantie für die Sicherheit des Bedienungspersonals und der Maschine dar.
4. Die Verwendung von Zwischensteckern, Mehrfachsteckern und Verlängerungskabeln ist ausdrücklich untersagt.
5. Außerdem muss das Gerät in ein Äquipotentialsystem eingebaut werden, dessen Verbindung durch eine mit dem Symbol gekennzeichnete Schraube ausgeführt ist. ↓
Der Äquipotentialleiter muss einen Querschnitt von 10 mm² haben.



Das mitgelieferte Versorgungskabel darf nur durch eines mit gleichem Querschnitt vom Typ H07RNF ersetzt werden.

Für weitere Informationen das beiliegende Schaltbild beachten.

2.3 WASSERANSCHLUSS

Den Aufstellungsort gemäß beliegendem hydraulischem Schema vorbereiten.

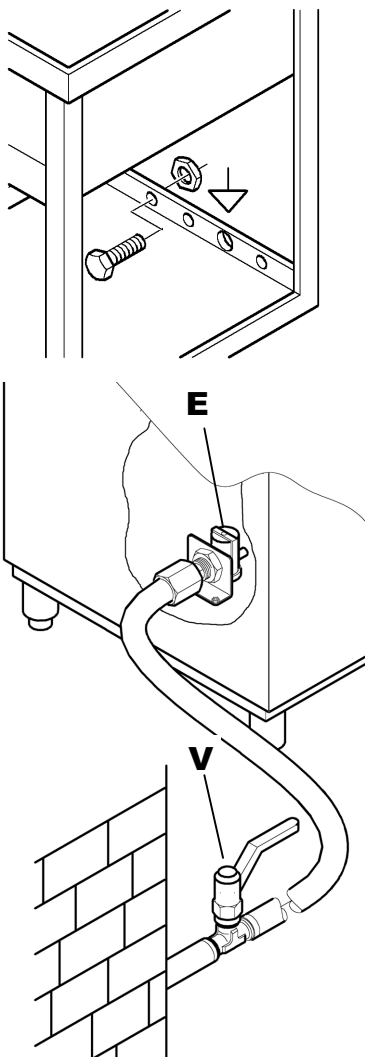
Bevor das Gerät angeschlossen wird, sicherstellen, dass zwischen Wasserversorgungsnetz und Gerät ein Absperrschieber montiert wurde, das es ermöglicht, im Notfall oder bei Reparaturen die Wasserzufuhr zu unterbrechen.

Mit dem mitgelieferten Schlauch das Elektroventil (E) mit dem Absperrschieber (V) verbinden; sich vergewissern, dass der Wasserzufluss nicht weniger als 20 Lt/Min. beträgt.

Sich vergewissern, dass Wassertemperatur und Zufuhrdruck den auf dem Leistungsschild angeführten Daten entsprechen.

Sollte die Wasserhärte höher als die auf der Richttabelle angegebene sein, empfehlen wir den Einbau eines Entkalkers oberhalb des Elektroventils der Wasserzufuhr der Maschine.

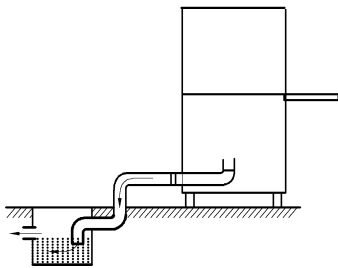
Im Falle sehr hoher Mineralrückstandskonzentration im Wasser schlagen wir den Einbau einer Entmineralisierungsanlage vor, um die auf der Tabelle vorgeschriebene Härte zu erreichen.



	Eigenschaften		von	bis
Härte	Französische Grade	f	5	10
	Deutsche Grade	°dH	4	7,5
	Englische Grade	°e	5	9,5
	Anteile pro Million	ppm	70	140
Mineralrückstände	Maximal	mg/l	300/400	



2.4 ANSCHLUSS AN DIE ABLAUFLEITUNG



Da die Wanne durch die Wirkung der Schwerkraft geleert wird, muss sich der Abfluss unterhalb der Maschine befinden.

Das Abflussendstück muss mittels Schlauch an ein Senkloch oder ein Saugheberbecken im Fußboden angeschlossen werden.

Die Ausmaße des Maschinenablaufs sind auf dem Installationsplan angeführt.



2.5 EINSTELLUNGEN UND KONTROLLEN

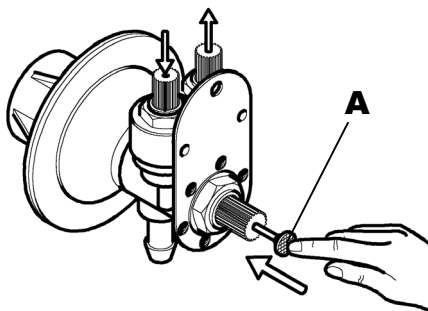


Die Temperatur in der Waschwanne ist auf etwa 55°C geregelt. Diese Temperatur begünstigt die richtige Nutzung der chemischen Eigenschaften industrieller Reiniger.

Die Boilertemperatur ist auf etwa 85°C geregelt.



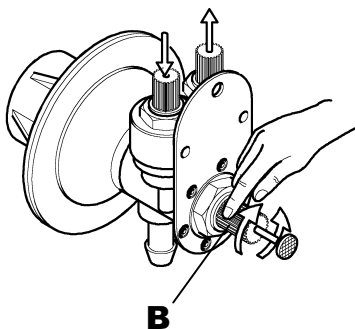
2.6 DOSIERER DES KLARSPÜLERS



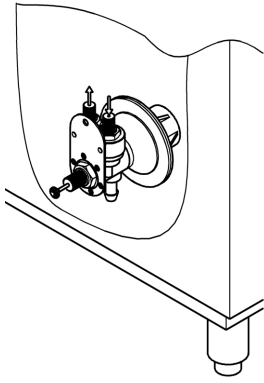
Vor der Regulierung müssen Dosiergerät und Zufuhrleitung durch Druck auf den Anlassknopf (A) gefüllt werden.

Zur Regulierung wird der zentral am Dosierer angebrachte Ring (B) im Uhrzeigersinn oder gegen den Uhrzeigersinn gedreht, je nachdem, ob die abgegebene Menge reduziert oder erhöht werden soll.

Die Dosiervorrichtung darf bei Betrieb nie leer sein.

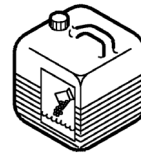


Eine zu große Menge Klarspüler erzeugt bläuliche Streifen auf dem Geschirr und führt zu Schaumbildung in der Waschwanne der Maschine.



Ist das Geschirr hingegen mit Wassertropfen bedeckt und trocknet nur langsam, so deutet dies darauf hin, dass die Menge an Klarspülmittel unzureichend ist.

7 cm Schlauch = 1 gr des Produktes



2.7 SPÜLMITTEL

Maschine ohne Spülmitteldosierer

Spülmittelmenge nach den Angaben des Herstellers in den Behälter füllen. Je nach Art des Spülmittels kann die Menge zwischen 2 bis 4 Gr/Lt Wasser in der Wanne variieren. Das Spülmittel wird ca. alle 5 Waschvorgänge in der vom Lieferanten vorgeschlagenen Menge nachgefüllt.

Die oben angeführten Mengen sind für eine durchschnittliche Wasserhärte von 5-10 °F (französische Grade) vorgesehen.

Gerät mit Spülmitteldosierer (auf Wunsch)

Regulierung

Durch Regulierung des Trimmers (A) wird die Ein- und Ausschaltzeit eingestellt und folglich die Spülmittelmenge geregelt.

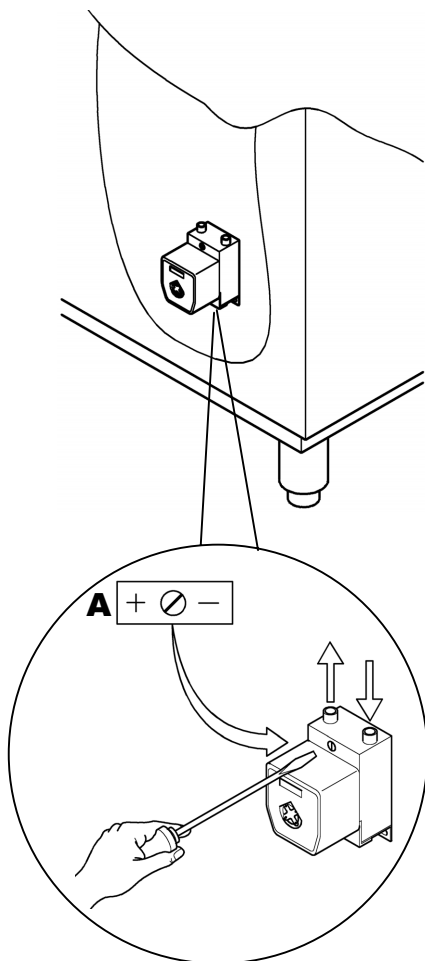
- Der Trimmer wird im Uhrzeigersinn oder entgegengesetzt gedreht, um die abgegebene Spülmittelmenge je nachdem zu verringern oder zu erhöhen.
- Zur endgültigen Regulierung müssen die Ergebnisse mehrerer Waschgänge abgewartet werden.



ACHTUNG!

Der Spülmittelbehälter darf nie vollkommen leer sein und nicht mit unreinen oder korrosiven Produkten aufgefüllt werden.

Schäden, die durch falsche Verwendung des Dosierers hervorgerufen werden, sind nicht von der Garantie gedeckt.



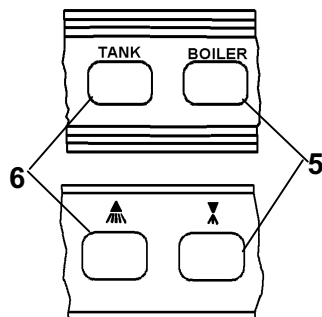
KAP.3 SICHERHEITSHINWEISE



3.1 EVENTUELLE GEFAHREN UND WARNHINWEISE

- Die Maschinentür nicht öffnen, bevor der Waschgang beendet ist.
- Niemals die bloßen Hände in die Waschlauge tauchen.
- Niemals die Maschinenplatten abmontieren, bevor man nicht die Zuführleitungen unterbrochen hat.

- Das Fachpersonal, das die Installation und den elektrischen Anschluss vornimmt, hat die Pflicht, die Kundschaft entsprechend über das Funktionieren der Maschine und die einzuhaltenden Sicherheitsmaßnahmen zu informieren.
- Zusätzlich muss der Installateur dem Kunden eine praktische Demonstration des Gebrauchs der Maschine geben und schriftliche Anweisungen, die zusammen mit der Maschine geliefert werden, hinterlassen.
- **Diese Maschine darf ausschließlich für die vorgesehenen Zwecke benützt werden. Jeder andere Gebrauch ist als ungeeignet und daher gefährlich zu betrachten.**
- Die Maschine darf nicht von unausgebildetem Personal benützt werden.
- Niemals die Maschine ohne die vom Konstrukteur vorgesehenen Schutzvorrichtungen (Mikroschalter; Platten usw.) benützen.
- Niemals die Maschine zum Waschen von Gegenständen anderer Form, Art, Größe oder Material, die nicht vom Konstrukteur vorgesehen sind, benützen.
- Eine eventuelle Reparatur darf ausschließlich vom Hersteller oder einem autorisierten Kundendienst-Zentrum vorgenommen werden. Es sind ausnahmslos Original-Ersatzteile zu verwenden.
- Nichtbeachtung der obengenannten Vorschriften kann die Sicherheit der Maschine beeinträchtigen.
- Die Maschine darf nicht unter Spannung bleiben, wenn sie nicht benutzt wird.
- Keine magnetischen Gegenstände an die Maschine annähern.
- Die Maschine nicht ohne die Filter in der Wanne verwenden.



3.2 SICHERHEITSVORRICHTUNGEN

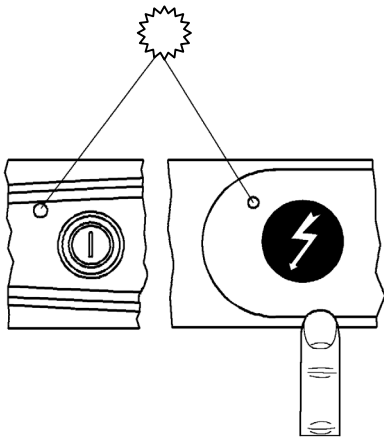
Die Karte kann verschiedene Störungssituationen erkennen.

Eventuelle Fehlfunktionen werden durch die Displayanzeigen (5 und 6) und durch die Unterbrechung der eventuell in Betrieb befindlichen Funktionen (Fall 1 und 3 der unten angegebenen Störungen) signalisiert.

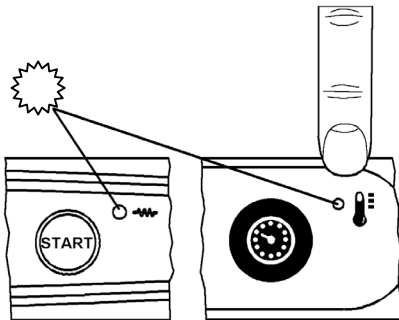
ACHTUNG! Durch Abschalten und Wiedereinschalten der Maschine wird die Signalfunktion wiederinstandgesetzt. Wenn die Störung in der Zwischenzeit nicht behoben wurde, wird sie von neuem angezeigt.

Anzeige auf Display			
	AUFGETRETENE FEHLFUNKTION:	Wanne (6) ▲▲▲	Boiler (5) ▼▼▼
1	NICHTERREICHEN DES WASSERPEGELS ODER ÜBERFLIESSEN IN WANNE (wenn nach ≥ 10 Min. nicht der richtige Pegel in der Wanne erreicht ist)	Er	04
2	DEFEKT SONDEN BOILER (wenn die Sonde nicht richtig angeschlossen oder beschädigt ist) (wenn die Sonde kurzgeschlossen oder beschädigt ist)	Er Er	07 08
3	ÜBERHITZUNG (zu hohe Temperatur Boiler und Wanne) (Sicherheitsthermostat eingeschaltet)	Hi SA	Hi FE
4	DEFEKT SONDEN WANNE (wenn die Sonde nicht richtig angeschlossen oder beschädigt ist) (wenn die Sonde kurzgeschlossen oder beschädigt ist)	Er Er	05 06
5	NACHSPÜLEN (Boiler ist nicht gefüllt)	Er	09
6	BOILER (Defekt des Boiler-Widerstands) (Aufheizzeit zu lang)	Er	03

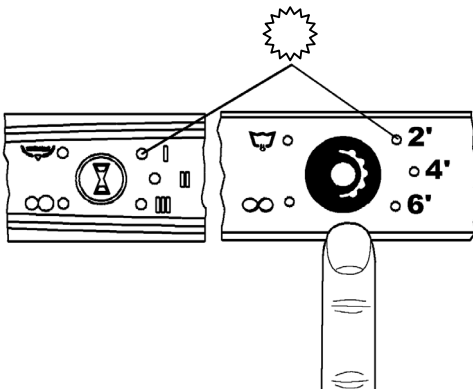
1



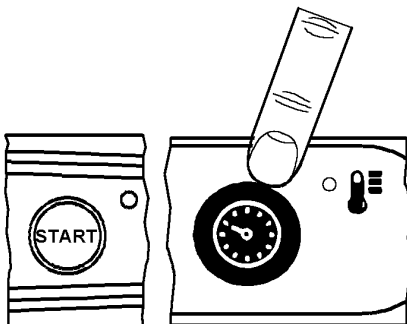
2



3



4



KAP.4 BETRIEB DER MASCHINE

4.1 BESCHREIBUNG DER BEDIENUNG

1. Zum Einschalten der Maschine seitlich angezeigte Taste drücken (die entsprechende Kontrolleuchte schaltet sich ein).

2. Wenn das Lämpchen leuchtet, ist die Maschine betriebsbereit. (Rot = Heizphase).

3. Seitlich angezeigte Taste zur Zykluswahl drücken

I (2') **II (4')** **III (6')**

Kurzer Zyklus

Mittlerer Zyklus

Langer Zyklus

Das dem gewählten Zeit entsprechende Lämpchen leuchtet auf.

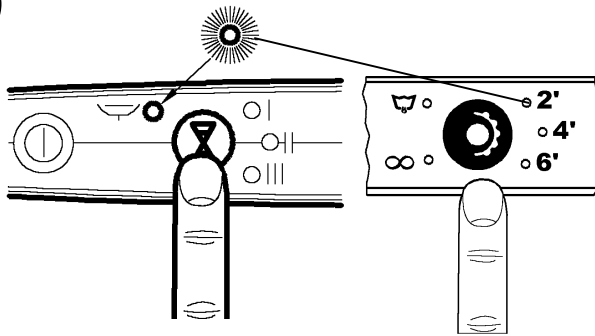
Bemerkung: das Programm „∞“ für verlängerte Spülvorgänge wählen.

- 4) Die Tür schließen und die angegebene Taste drücken. Die Maschine geht automatisch los.

Für die nächsten Waschgänge erneut die Taste drücken.

Bemerkung: Um den Spülvorgang „∞“ zu unterbrechen, die Taste drücken (Für neue Spülvorgänge ist die unter Nr. 3 beschriebene Prozedur zu wiederholen).

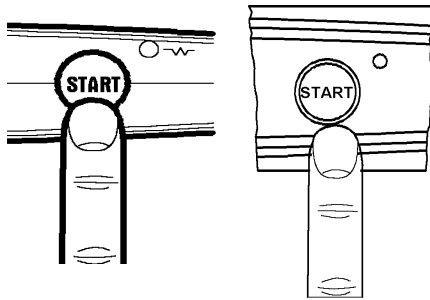
1



4.1.1 Automatischer Abfluss des Spülwassers (auf Wunsch).

1. Die seitlich angezeigte Taste drücken und Abflussprogramm wählen (die entsprechende Kontrolleuchte schaltet sich ein).

2



2. Die seitlich angezeigte Taste drücken, die Maschine lässt automatisch das Spülwasser ab.

4.2 BEDIENUNGSANLEITUNG

- Gemäß der Anleitung des Herstellers die notwendige Menge Spülmittel in die Wanne einfüllen

- Es muss ein industrielles Spülmittel mit Schaumhemmer verwendet werden.

- Nicht die bloßen Hände in die Waschlauge eintauchen, die Tassen und Gläser umgedreht in die Körbe stellen. Die Teller in den entsprechenden Korb mit Halterelementen einordnen (Innenfläche nach oben).

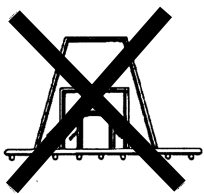
- Besteck und Kaffeelöffel mit dem Griff nach unten einfüllen.

- Keine Bestecke aus Silber und aus rostfreiem Stahl in denselben Besteckkorb geben. Das Silber würde anlaufen und der rostfreie Stahl wahrscheinlich korrodieren .

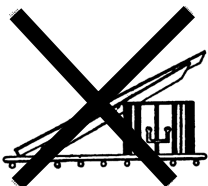
- Für die verschiedenen Gegenstände (Teller , Gläser , Tassen, Besteck usw.) die jeweils dafür vorgesehenen Körbe verwenden. Um Spülmittel und Strom einzusparen, nur volle, aber nicht überladene Körbe spülen. Das Übereinanderstapeln von Geschirr ist zu vermeiden.

Um den Wartungsaufwand soweit als möglich einzuschränken, **EMPFEHLEN WIR EINE VORREINIGUNG** des Geschirrs. Die Entfernung von Essensresten, Zitronenschalen Zahnstochern, Olivenkernen usw., die den Filter der Elektropumpe teilweise verstopfen und somit die Reinigungswirkung beeinträchtigen könnten, verbessert auch die Qualität des Endergebnisses.

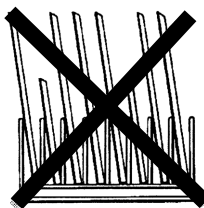
Es wird empfohlen, das Geschirr zu spülen, bevor die Essensreste darauf antrocknen. Sollte der Schmutz bereits verhärtet sein, wird empfohlen, Geschirr und Besteck einzuweichen, bevor es in die Maschine eingefüllt wird



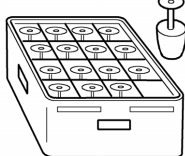
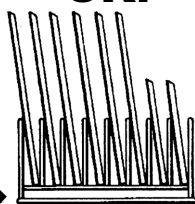
OK!



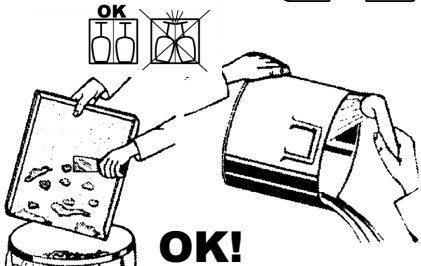
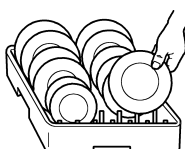
OK!



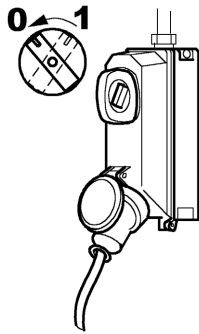
OK!



OK

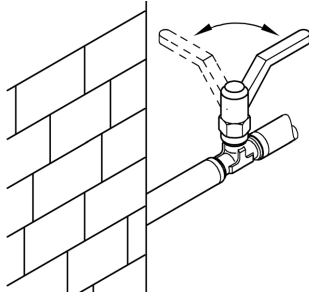


OK!

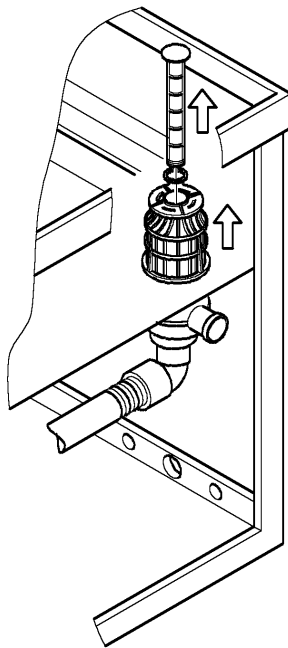


4.3 TÄTIGKEITEN BEI ENDE DES SPÜLGANGES

- Die Stromzufuhr zur Maschine unterbrechen.
- Die Tür öffnen und den Korb mit dem sauberen Geschirr herausnehmen.
- Durch Heben des Überlaufs das Wasser aus der Wanne ablassen. Bei Maschinen mit Ablaufpumpe die Anweisungen in Abschnitt 4.1.1 "Automatischer Abfluss des Spülwassers" befolgen.



- Den Hauptschalter der Anlage abschalten.
- Den Absperrschieber der Wasserzulaufleitung schließen.
- Die Filter entfernen; sie unter einem Wasserstrahl mit einer Nylonbürste reinigen.



- Beachten sie, dass keine Schmutzreste vom Boden des Filters der Abflusspumpe in die Wanne fallen. Die Wanne mit einem mäßig starken Wasserstrahl reinigen. Die äußeren Oberflächen, wenn sie kalt sind, mit einem nicht-scheuernden, speziell für Stahl geeigneten Mittel reinigen.

Bemerkung: Das Gerät nie mit direktem Wasserstrahl oder mit Wasser unter starkem Druck reinigen, da bei eventuellem Eindringen von Wasser in die elektrischen Teile der Maschine das regelmäßige Funktionieren des Geräts und der einzelnen Sicherheitssysteme nicht mehr gesichert ist und außerdem in einem solchen Fall die Garantie ihre Gültigkeit verliert.

KAP. 5 WARTUNG

5.1 ALLGEMEINE VORSCHRIFTEN

Die Maschinen sind wartungsarm ausgelegt. Die folgenden Normen müssen immer beachtet werden, um eine lange Dauer und ein Funktionieren ohne Schwierigkeiten zu garantieren.

Auf jeden Fall müssen einige allgemeine Regeln beachtet werden, um das Funktionieren der Maschine perfekt zu halten:

- Die Maschine sauber und in Ordnung halten
- Vermeiden, dass vorläufige oder Notreparaturen zur Regel werden.

Die strenge Beachtung der Normen der periodischen Wartung ist äußerst wichtig. Alle Maschinenteile müssen regelmäßig kontrolliert werden, um zu vermeiden, dass es zu eventuellen Unregelmäßigkeiten kommt und um die für den eventuellen Wartungsfall notwendigen Zeiten und Mittel vorherzusehen.

Bevor Sie das Gerät reinigen, schalten Sie die Stromversorgung ab.

5.2 REGELMÄSSIGE WARTUNG (mindestens alle 20 Tage)

Um die im folgenden beschriebenen Wartungsarbeiten einfacher zu machen, kann man den Korbrahmen aus seinem Sitz herausziehen.

- Die oberen und unteren Nachspülarme ausbauen; dazu wird die Befestigungsklinke abgeschraubt.
 - Sämtliche Düsen ausbauen, reinigen und wieder an ihren Platz einsetzen.
 - Die oberen und unteren Wascharme durch Abschrauben des Nachspülzapfens ausbauen, reinigen und nachspülen.
 - Den Filter der Waschpumpe herausnehmen. Den Filter reinigen und abspülen.
 - Mit großer Sorgfalt die Wanne reinigen.
 - Während die Maschine stillsteht, den Deckel offen stehen lassen.
 - Durch die im Wasser enthaltenen Kalk- und Magnesiumsalze bilden sich nach einer bestimmten Betriebszeit, je nach Wasserhärte, im Inneren des Boilers und in den Rohrleitungen Kalkablagerungen, die das einwandfreie Funktionieren der Maschine infrage stellen können.
-

- Diese Ablagerungen müssen deshalb regelmäßig entfernt werden. Es wird empfohlen, hierzu Fachpersonal heranzuziehen.
- Sollte die Maschine lange Zeit unbenutzt stehen, die Stahlflächen mit Vaselineöl einölen.
- Bei Gefahr von Eisbildung muss Fachpersonal das Wasser aus dem Boiler und der Waschpumpe ablassen.
- **Bei Schäden oder Funktionsstörungen wenden Sie sich nur an ein vom Hersteller der Geräte oder vom Händler autorisiertes Kundendienstzentrum.**



KAP. 6 ABBAU

6.1 ABBAU DER MASCHINE

In unseren Maschinen gibt es keine Materialien, die besondere Entsorgungsverfahren erfordern.

SOMMAIRE

CHAP.1 PRÉFACE	27
CHAP.2 INSTALLATION	27
2.1 DÉPLACEMENT ET DÉBALLAGE	27
2.2 BRANCHEMENT ÉLECTRIQUE	28
2.3 RACCORDEMENT HYDRAULIQUE.....	28
2.4 CONNEXION AU RÉSEAU DE VIDANGE	29
2.5 RÉGLAGES ET CONTROLES	29
2.6 DOSEUR LIQUIDE DE RINCAGE	29
2.7 DÉTERGENT.....	30
CHAP.3 PRESCRIPTIONS DE SECURITE.....	30
3.1 RISQUES RESIDUELS ET AVERTISSEMENTS	30
3.2 DISPOSITIFS DE SECURITE.....	31
CHAP.4 UTILISATION DE LA MACHINE	32
4.1 Description des commandes.....	32
4.2 UTILISATION de la machine.....	33
4.3 Opérations de fin service.	34
CHAP.5 ENTRETIEN.....	35
5.1 RÈGLES GÉNÉRALES.....	35
5.2 ENTRETIEN PERIODIQUE (à effectuer tous les 20 jours au minimum).....	35
CHAP.6 DÉMANTÈLEMENT	36
6.1 MISE AU REBUT DE LA MACHINE.....	36

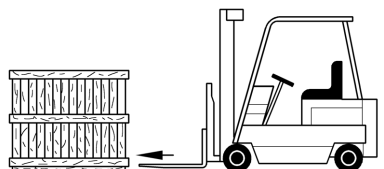
CHAP1 PRÉFACE

Les avertissements contenus dans ce manuel fournissent d'importantes indications concernant la sûreté dans les différentes phases de l'installation, de l'emploi et de l'entretien.

L'opérateur a le devoir de lire attentivement ce manuel avant de commencer toute opération concernant le déplacement, l'installation, l'usage, l'entretien ou la mise au rebut de la machine. Il faut donc garder soigneusement ce livret, en le plaçant dans un endroit sûr, et en faire plusieurs copies pour la consultation fréquente.

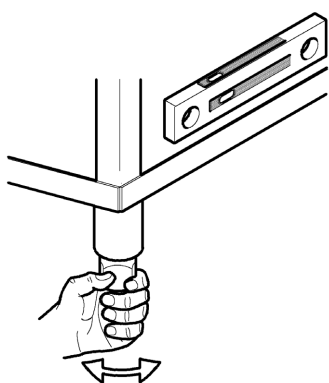
CHAP.2 INSTALLATION

2.1 DÉPLACEMENT ET DÉBALLAGE



- Le déplacement doit être exécuté avec soin au moyen d'un élévateur.
- Vérifier l'intégrité de l'appareil; en cas de dommages visibles, renseigner immédiatement le vendeur et le transporteur qui a effectué le transport. En cas de doute, ne pas utiliser la machine jusqu'à ce qu'elle ait été contrôlée par le personnel spécialisé.
- Transporter la machine sur le lieu prévu pour la mise en place et la déballer.

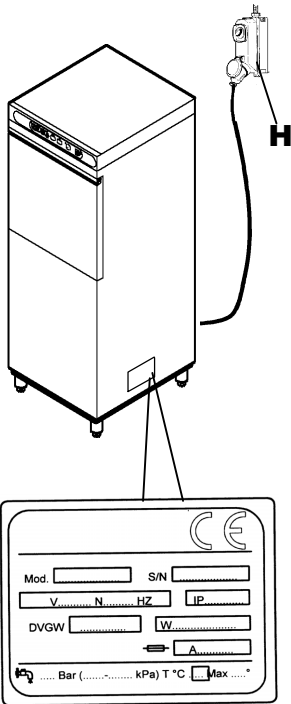
Les éléments d'emballage (sachets en plastique, polystyrène expansé, clous etc.) ne doivent pas être laissés à la portée des enfants car ils constituent un danger potentiel.

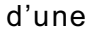


- La mise en place doit être exécutée selon les consignes du constructeur et par un personnel qualifié.
- Cette machine n'est destinée qu'au raccordement fixe.
- Positionner la machine en ayant soin de la mettre parfaitement de niveau en réglant ses vérins.
- Le dallage devra tenir compte du poids global de la machine.
- Suivant les indications du schéma d'installation de la machine, prévoir dans le local de lavage, les installations d'alimentation électrique, d'approvisionnement d'eau et d'évacuation.



2.2 BRANCHEMENT ÉLECTRIQUE



1. La connexion au réseau devra être exécutée au moyen d'un interrupteur général. (H) De type omnipolaire, il interrompt tous les contacts y compris le neutre, avec une distance entre les contacts ouverts d'au moins 3 mm, avec déclenchement magnéto-thermique de sécurité ou accouplé à des fusibles et capable d'être compatible avec les indications de la fiche technique, et de la plaque de l'appareil.
2. S'assurer que la tension et la fréquence du réseau électrique correspondent à celles qui sont indiquées sur l'étiquette des caractéristiques techniques placée sur le côté droit de la machine.
3. Une mise à la terre efficace, imposée par les normes de prévention en vigueur, est un gage de sécurité pour l'opérateur et pour l'appareil.
4. Il est absolument défendu d'utiliser des adaptateurs, des prises multiples et des rallonges.
5. L'appareil doit en outre être inclus dans un système équipotentiel dont la connexion est exécutée au moyen d'une vis indiquée par le symbole.  Le conducteur équipotentiel devra avoir une section de 10 mm².



Le câble d'alimentation pourra être remplacé seulement par un câble ayant la même section, du type H07RN-F.

Pour d'autres informations, vous pouvez consulter le schéma électrique ci-joint.

2.3 RACCORDEMENT HYDRAULIQUE

Préparer le local selon le schéma hydraulique ci-joint.

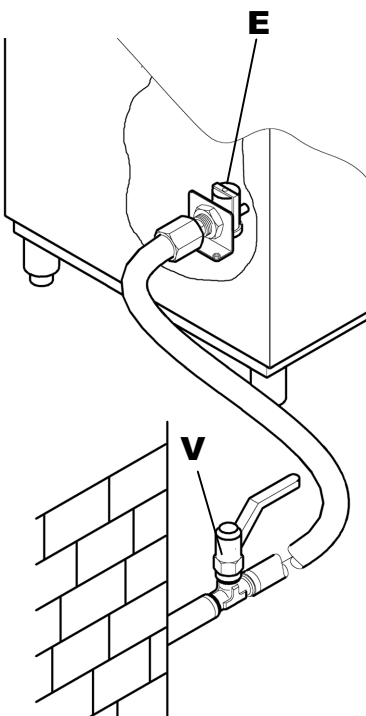
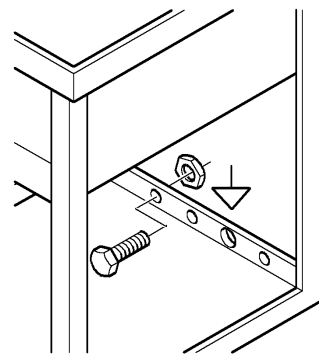
Avant de raccorder la machine, s'assurer qu'une soupape à vanne a été intercalée entre le réseau de distribution d'eau et la machine, afin de pouvoir couper l'alimentation au besoin ou en cas de réparation.

Au moyen d'un tuyau flexible, relier l'électrovanne (E) de remplissage à la vanne d'arrivée d'eau (V) et s'assurer que la portée de l'alimentation ne soit pas inférieure à 20 l/min.

S'assurer que la température et la pression de l'eau d'alimentation correspondent aux valeurs indiquées dans la documentation technique.

Si la dureté de l'eau est supérieure aux valeurs indiquées dans le tableau suivant, nous conseillons d'installer un adoucisseur en amont de l'électrovanne d'alimentation de la machine.

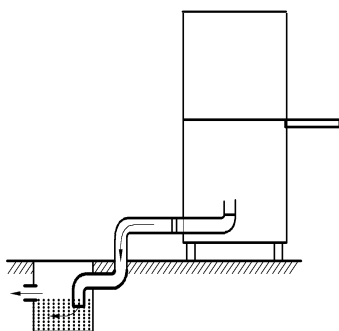
En cas de très forte concentration de minéraux résiduels dans l'eau ou de conductibilité élevée, nous recommandons d'installer un équipement de déminéralisation étalonée pour avoir une dureté résiduelle comme indiqué dans le tableau suivant.



	Caractéristiques		Da	A
Dureté	Dégrés français	f	5	10
	Dégrés allemands	°dH	4	7'5
	Dégrés anglais	°e	5	9,5
Minéraux résidus	Parties pour million	ppm	70	140
	Maximum	mg/l	300/400	



2.4 CONNEXION AU RÉSEAU DE VIDANGE



Etant donné que le vidange de la cuve s'effectue par gravité, l'évacuation doit être située à un niveau inférieur à la base de la machine.

Le raccord de vidange doit être relié à un puisard ou à un drain siphonné creusé dans le sol au moyen d'un tuyau flexible.

Les dimensions du vidange de la machine sont indiquées dans le schéma d'installation.

2.5 REGLAGES ET CONTROLES

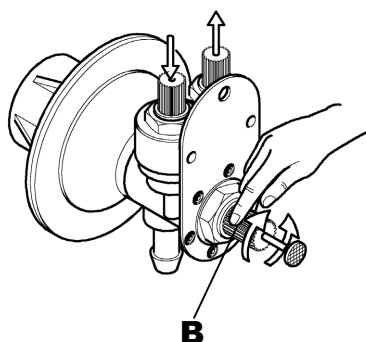
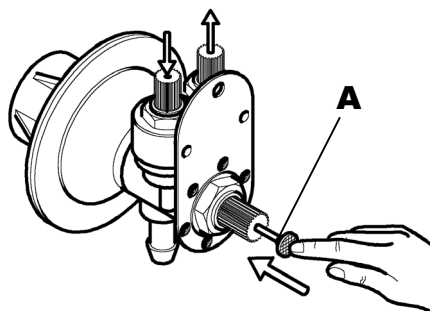


La température de la cuve de lavage est réglée à 55° C environ par un thermostat fixe. Cette température favorise l'exploitation correcte des propriétés chimiques des détergents pour le lavage industriel.

La température du réchauffeur réglée par un thermostat fixe est de 85°C environ.



2.6 DOSEUR LIQUIDE DE RINCAGE

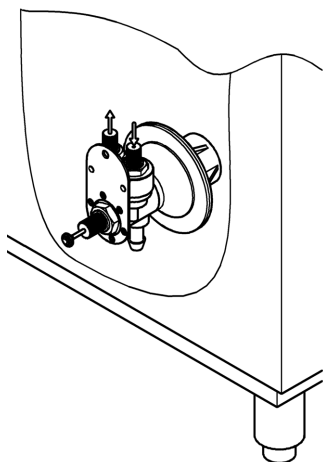


Avant d'effectuer son réglage, le doseur et le tuyau d'alimentation correspondant devront être remplis en agissant sur l'interrupteur (A) de ligne.

Pour effectuer le réglage, on devra agir sur la vis de réglage (B) située au milieu du doseur; en la tournant dans le sens des aiguilles d'une montre ou dans le sens inverse on aura, respectivement, la réduction ou bien l'accroissement de la quantité débitée.

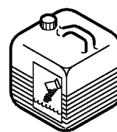
Le doseur ne doit pas fonctionner ou rester à sec.

Une dose excessive de produit de rinçage cause des stries bleuâtres sur la vaisselle et la formation de mousse dans la cuve de lavage.



En revanche, la vaisselle recouverte de gouttes d'eau et un séchage plutôt lent révèlent une quantité insuffisante de produit de rinçage.

7 cm. de tuyère = 1 gr. de produit



2.7 DÉTERGENT

Appareil sans doseur de détergent

Introduire le détergent dans la cuve de lavage selon la dose conseillée par le constructeur. Cette quantité, selon le type de détergent, peut varier de 2 à 4 gr/lit d'eau de la cuve. Le détergent doit être ajouté tous les 5 lavages, en respectant la quantité prescrite par le fournisseur du détergent.

Les quantités mentionnées ci-dessus s'appliquent à une dureté moyenne de l'eau de 5-10 °F (dégrés français).

Appareil avec doseur de détergent (optional)

Réglages:

En agissant sur le trimmer (A) on détermine donc le temps «allumé/éteint» et par conséquent la quantité de détergent.

- En tournant le trimmer dans le sens des aiguilles d'une montre ou dans le sense inverse on aura, respectivement, la réduction ou bien l'accroissement de la quantité débitée.
- Pour finir le réglage, on devra évaluer les résultats de quelques lavages.



ATTENTION!

Le récipient ne doit jamais être vide ni être rempli avec des produits corrosifs ou impurs.

La garantie ne couvre pas les dommages consécutifs à un mauvais emploi du doseur.

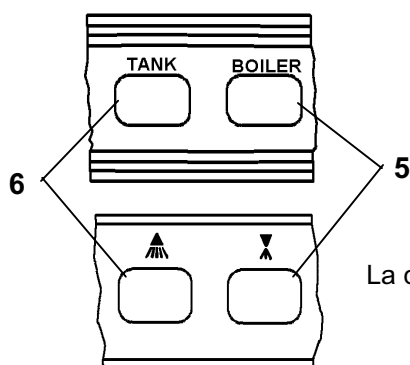
CHAP.3 PRESCRIPTIONS DE SECURITE:



3.1 RISQUES RESIDUELS ET AVERTISSEMENTS

- Ne jamais ouvrir vite la porte de la machine lorsqu'elle n'a pas terminé son cycle de nettoyage
- Ne jamais plonger les mains nues dans la solution de lavage.
- Ne jamais enlever les panneaux de la machine si l'alimentation électrique en amont n'a pas été déconnectée auparavant.

- Le personnel spécialisé qui effectue l'installation et le branchement électrique est tenu d'informer correctement les utilisateurs sur le fonctionnement de l'appareil et sur les mesures de sécurité à suivre.
- L'installateur devra par ailleurs faire des démonstrations pratiques sur le mode d'utilisation et s'assurer que les instructions jointes à l'appareil soient disponibles.
- **Cette machine devra servir uniquement au but pour lequel elle a été conçue. Toute autre utilisation doit être considérée impropre et donc dangereuse.**
- La machine ne doit être utilisée que par le personnel qualifié.
- Ne jamais utiliser la machine sans les protections (microcontacts, panneaux ou autre) installées par le constructeur.
- Ne jamais utiliser la machine pour laver des objets de type, forme, mesure ou matériaux non compatibles avec ceux indiqués par le constructeur.
- L'éventuelle réparation de la machine ne devra être effectuée que par le constructeur ou par un centre de service après-vente agréé, en utilisant exclusivement des pièces de rechange d'origine.
- Le manque d'observation des règles mentionnées ci-dessus peut compromettre la sécurité de la machine.
- La machine ne doit pas rester sous tension lorsqu'elle n'est pas utilisée.
- Ne pas approcher d'objets magnétiques de la machine
- Ne pas utiliser la machine en l'absence des filtres dans la cuve





3.2 DISPOSITIFS DE SECURITE

La carte est en mesure de reconnaître différentes situations de panne.

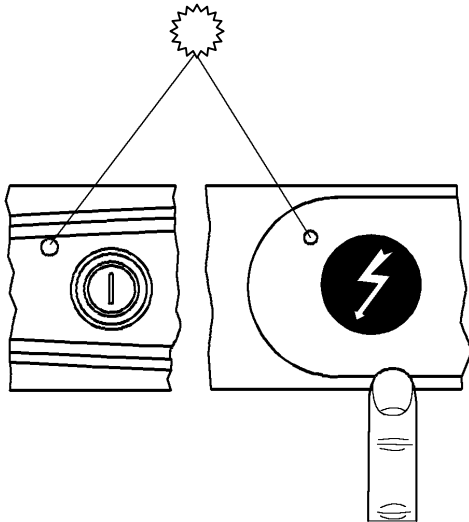
Les dysfonctionnements sont facilement mis en évidence par des messages sur les displays/voyants (5 et 6) et par les interrupteurs des éventuelles fonctions en cours seulement dans les cas (1 et 3) sous-mentionnés.

ATTENTION! Le fait d'éteindre et de rallumer la machine "re-initialise" le signal, qui se représentera si le problème n'a pas été résolu.

Message visualisé sur l'écran

	PROBLEMES:	Cuve (6) 	Chaudière (5) 
1	REPLISSAGE NON EFFECTUE OU DEBOREMENT DE L'EAU DANS LA CUVE (si un temps \geq à 10 mn s'est écoulé, le niveau correct n'a pas été atteint dans la cuve)	E P	04
2	SONDES CHAUFFE-EAU EN PANNE (si la sonde n'est pas correctement branchée ou si elle est endommagée) (si la sonde est en court-circuit ou endommagée)	E P E P	07 08
3	SURCHAUFFE (Température excessive dans chauffe-eau et cuve) (intervention thermostat de sécurité)	HI SA	HI FE
4	SONDES CUVE EN PANNE (si la sonde n'est pas correctement branchée ou si elle est endommagée) (si la sonde est en court-circuit ou endommagée)	E P E P	05 06
5	RINÇAGE (Remplissage raté du chauffe-eau)	E P	09
6	CHAUFFE-EAU (Panne de la résistance de la Chaudière) (Temps excessif de réchauffage)	E P	03

1

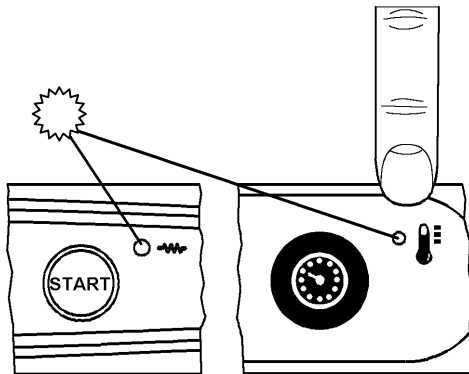


CHAP.4 UTILISATION DE LA MACHINE

4.1 DESCRIPTION DES COMMANDES

1. Pour allumer la machine appuyer sur la touche indiquée sur le côté (le témoin correspondant s'allume).

2



2. Lorsque le voyant s'allume, la machine est prête à l'emploi. (Rouge = en chauffe)
3. Appuyer sur la touche indiquée sur le côté pour sélectionner le cycle.

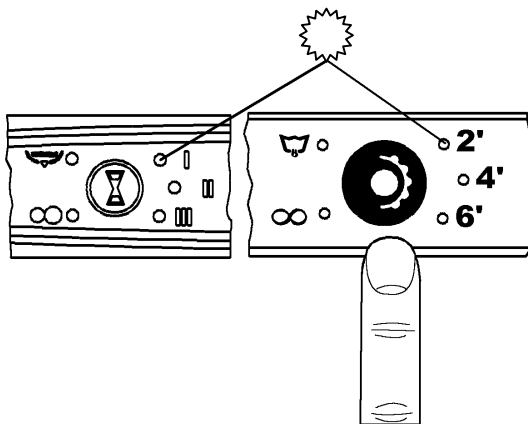
I (2') **II (4')** **III (6')**

Cycle court

Cycle moyen

Cycle intensif

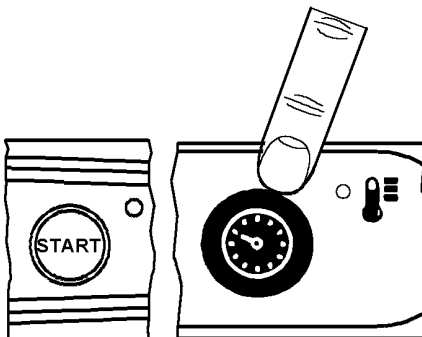
3



Le voyant s'allume selon le temps sélectionné.

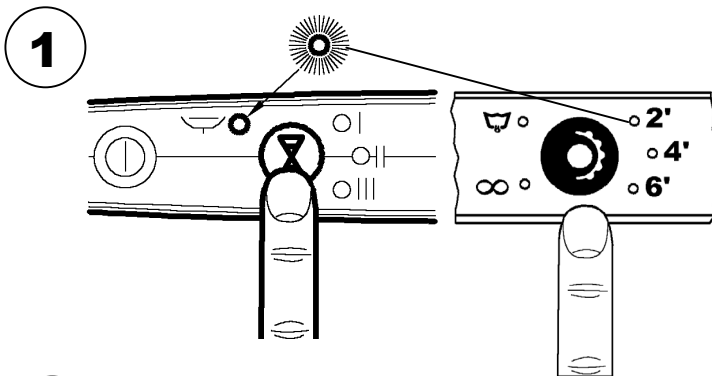
Note: choisir le programme "∞" pour les lavages prolongés.

4



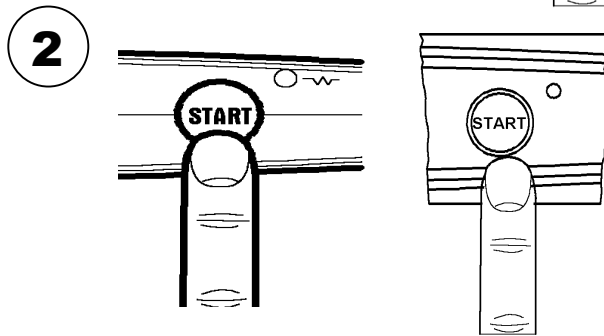
4. Fermer la porte et appuyer sur le bouton ci-contre indiqué; la machine s'actionne automatiquement. Appuyer encore sur le bouton pour les nettoyages suivants. **N.B. Pour interrompre le lavage "∞", appuyer sur la touche, (pour exécuter de nouveaux programmes de lavage, répéter la séquence n°3).**





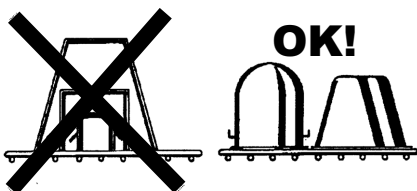
4.1.1 Vidange eau automatique dans cuve (option)

1. Appuyer sur la touche indiquée sur le côté et sélectionner le programme de vidange (le témoin correspondant s'allume)



2. Appuyer sur la touche indiquée sur le côté et la machine exécute automatiquement la vidange de l'eau dans la cuve.

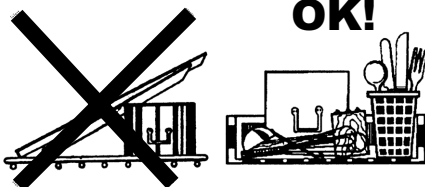
4.2 UTILISATION DE LA MACHINE



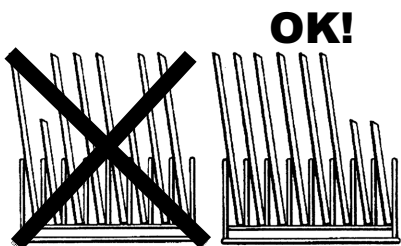
- Suivant les instructions du constructeur, introduire la quantité nécessaire de détergent dans la cuve de lavage.

- Le détergent doit être du type industriel, peu mousseux.

- Ne pas plonger les mains nues dans la lessive de lavage; ranger les tasses et les verres renversés dans les paniers. Introduire les assiettes dans le panier spécial qui est muni de doigts de support, la surface intérieure étant tournée vers le haut.



- Disposer les couverts et les cuillers à café, le manche étant tourné vers le bas.



- Ne pas ranger les couverts en argent et en acier inoxydable dans le même panier. Il s'ensuivrait le brunissage de l'argent et la corrosion probable de l'acier inoxydable.

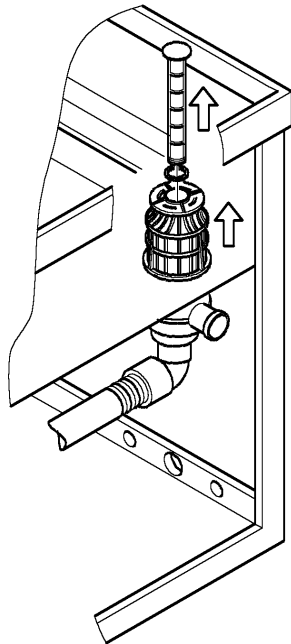
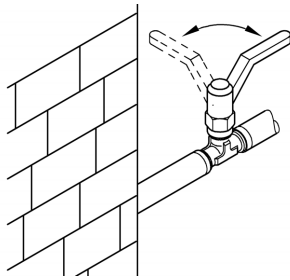
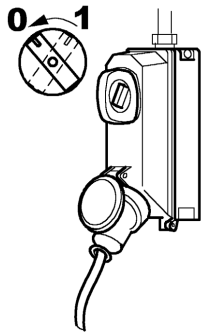
- Utiliser les paniers spécifiques qui ont été spécialement conçus pour le type différent de vaisselle (assiettes, verres, tasses, couverts, etc.). Pour économiser du détergent et de l'énergie électrique, ne laver que les paniers complets, sans toutefois les surcharger. Eviter toute superposition de la vaisselle.

Afin de réduire au minimum l'entretien, **NOUS PRECONISONS DE NETTOYER PREALABLEMENT** la vaisselle. L'élimination des déchets, des zestes de citron, des cure-dents, des noyaux d'olive, etc. qui risqueraient de boucher partiellement le filtre de l'électropompe, réduisant la performance du lavage, améliorera sensiblement la qualité du résultat final.

Il est conseillé de laver la vaisselle avant que les déchets puissent sécher sur sa surface. En cas de saleté durcie, il sera nécessaire d'effectuer un traitement de trempage avant d'introduire la vaisselle et les couverts dans la machine



4.3 OPÉRATIONS DE FIN SERVICE



- Enlever tension de la machine
- Ouvrir la porte et enlever le corbillon avec la vaisselle propre.
- Faire déverser l'eau de la cuve en soulevant le trop-plein. Pour le modèle avec pompe de Vidange
- Déconnecter l'interrupteur général de l'appareillage.
- Fermer la soupape à vanne pour la connexion hydraulique.
- Enlever les filtres, les laver et nettoyer sous un jet d'eau froide avec une brosse en nylon.
- Faire attention à ne pas faire tomber les restes de saleté sur le fond du filtre pompe vidange dans la cuve. Nettoyer la cuve avec un jet d'eau modéré. Laver les surfaces extérieures quand elles sont froides avec produits non-abrasifs spécialement formulés pour l'entretien de l'acier.

NOTE: Ne pas laver l'appareil avec jets directs ou avec haute pression car éventuelles infiltrations aux composants électriques pourraient compromettre le régulier fonctionnement de l'appareil et des singles systèmes de sûreté. Amende la déchéance de la garantie.

CHAP. 5 ENTRETIEN

5.1 REGLES GENERALES

Les machines ont été conçue a fin de réduire au minimum les besoins d'entretien. Les règles suivantes doivent être observées rigoureusement a fin de garantir une longue durée et un bon fonctionnement sans problèmes.

De toute façon on devra observer certaines règles générales pour maintenir les machines en parfait état de marche:

- maintenir la machine propre et en bon état
- éviter que les réparations provisoires ou d'urgence deviennent systématiques.


L'observation rigoureuse des règles d'entretien périodique est extrêmement importante, tous les organes de la machine doivent être contrôlés régulièrement a fin d'éviter des anomalies éventuelles, en prévoyant ainsi les temps et les moyens nécessaires pour l'éventuel intervention d'entretien.

Avant d procéder aux opérations de nettoyage, débrancher l'appareil.

5.2 ENTRETIEN PERIODIQUE (à effectuer tous les 20 jours au minimum)

Pour faciliter les operation qui suivent peut être enlevé de son siège le châssis porte-panier.

- Démontez les bras de rinçage supérieurs et inférieurs, en devissant le cliquet de fixation.
 - Dévissez et nettoyez tous les jets et les remonter à leur place.
 - Démontez les bras de lavage supérieurs et inférieurs en devissant le pivot de rinçage les nettoyez et le rincer.
 - Retirez le filtre de la pompe de lavage. Le nettoyez et le rincer.
 - Nettoyez soigneusement la cuve de lavage.
 - Laissez le capot de la machine ouvert pendant toute la période de repos.
 - A cause de sels de calcium et de magnésium présent dans l'eau, après une certaine période de fonctionnement, qui varie en fonction de la dureté de l'eau, une couche de tartre peut se former sur les parois de la cuve, du réchauffeur et des conduits, ce qui risque de préjudicier au bon fonctionnement de la machine.
-

- On devra donc effectuer périodiquement un détartrage que l'on conseille de faire exécuter par des techniciens qualifiés.
 - Au cas où la machine resterait longtemps inutilisée, graisser les surfaces en acier avec de l'huile de vaseline.
 - En cas de formation de glace, faire vider l'eau du réchauffeur et de la pompe de lavage par des techniciens qualifiés.
-  • **En cas de formation de glace, faire vider l'eau du réchauffeur et de la pompe de lavage par des techniciens qualifiés.**

CHAP. 6 DEMANTELEMENT

6.1 MISE AU REBUT DE LA MACHINE

Sur nos machines il n'y a pas de matériaux qui demandent des procédures particulières de détérioration.

INDICE

CAP.1 PRAFAZIONE.....	39
CAP.2 INSTALLAZIONE.....	39
2.1 MOVIMENTAZIONE E DISIMBALLO	39
2.2 COLLEGAMENTO ELETTRICO	40
2.3 COLLEGAMENTO IDRAULICO.....	40
2.4 COLLEGAMENTO ALLA LINEA DI SCARICO	41
2.5 REGOLAZIONE E CONTROLLI	41
2.6 DOSATORE BRILLANTANTE	41
2.7 DETERSIVO	42
CAP.3 RACCOMANDAZIONI DI SICUREZZA	42
3.1 RISCHI RESIDUI E AVVERTENZA	42
3.2 DISPOSITIVI DI SICUREZZA	43
CAP.4 USO DELLA MACCHINA.....	43
4.1 DESCRIZIONE DEI COMANDI.....	44
4.2 UTILIZZO DELLA MACCHINA.....	45
4.3 OPERAZIONI DI FINE SERVIZIO	46
CAP.5 MANUTENZIONE.....	47
5.1 REGOLE GENERALI	47
5.2 MANUTENZIONE PERIODICA (DA EFFETTUARSI MINIMO OGNI 20 GIORNI)	47
CAP.6 SMANTELLAMENTO	48
6.1 SMANTELLAMENTO DELLA MACCHINA	48

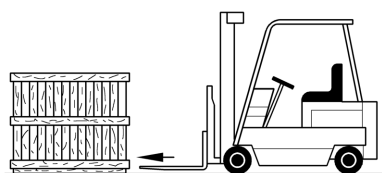
CAP.1 PRAFAZIONE

Le avvertenze contenute nel presente manuale forniscono importanti indicazioni riguardanti la sicurezza nelle varie fasi di: installazione, uso e manutenzione.

L'operatore avrà obbligatoriamente il dovere di visionare il presente manuale prima di avviare ogni operazione riguardante la movimentazione, l'installazione, l'uso, la manutenzione o la messa fuori servizio della stessa macchina; è necessario quindi, conservarlo integro nel tempo, attraverso una collocazione sicura, con eventuali copie per la consultazione frequente

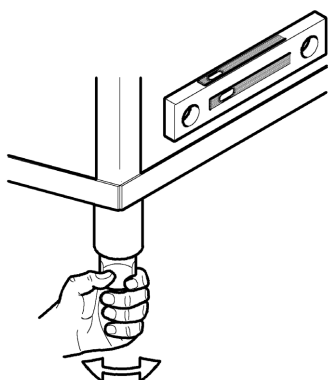
CAP.2 INSTALLAZIONE

2.1 MOVIMENTAZIONE E DISIMBALLO

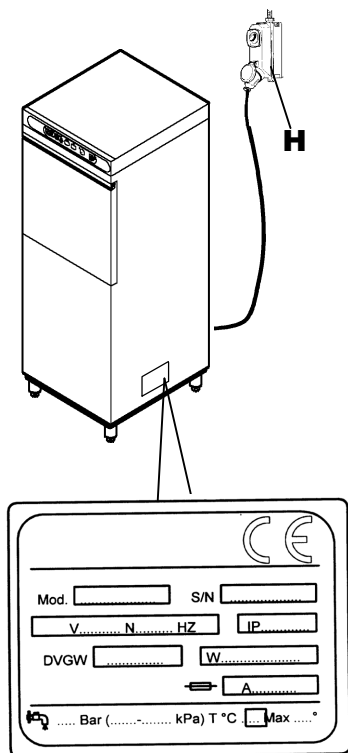


- La movimentazione deve avvenire con rigorosa cura a mezzo di carrello elevatore.
- Verificare l'integrità dell'apparecchiatura, in caso di danneggiamenti visibili, informare immediatamente il venditore ed il trasportatore che ne ha effettuato il trasporto. In caso di dubbio non utilizzare l'apparecchiatura fino a quando la stessa non sarà stata controllata da personale specializzato.
- Trasportare la macchina nel luogo previsto per l'installazione, liberandola dall'imballo.


Gli elementi dell'imballo (esempio: sacchetti di plastica, polistirolo espanso, chiodi, etc. ...) non devono essere lasciati alla portata dei bambini in quanto fonte di potenziale pericolo.

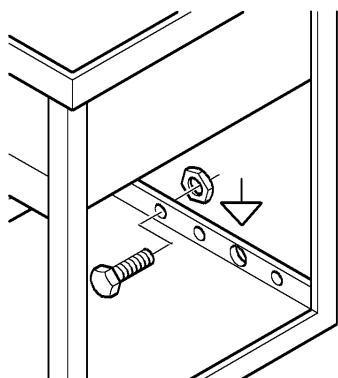


- L'installazione deve essere effettuata secondo le istruzioni del costruttore e da personale professionalmente qualificato.
- Questo apparecchio è adatto solo ad un allacciamento fisso.
- Mettere in posizione la macchina curandone il perfetto livellamento regolando i piedini.
- La pavimentazione dovrà essere dimensionata tenendo conto del peso complessivo della macchina.
- Seguendo le indicazioni riportate sullo schema di installazione della macchina predisporre, nel locale di lavaggio, gli impianti di alimentazione elettrica, approvvigionamento idrico e di scarico.



2.2 COLLEGAMENTO ELETTRICO

1. Il collegamento alla rete elettrica dovrà essere effettuato mediante un interruttore generale (H) e deve essere di tipo onnipolare, che interrompa tutti i contatti incluso il neutro, con distanza tra i contatti aperti di almeno 3 mm. con scatto magnetotermico di sicurezza od accoppiato a dei fusibili in grado di sopportare la corrente massima indicata in targa.
2. Accertarsi che la tensione e frequenza della rete elettrica siano corrispondenti a quelli della targhetta riportante le caratteristiche tecniche posta sul fianco destro della macchina.
3. Un efficace impianto di messa a terra, imposto dalle vigenti norme di prevenzione, è una garanzia di sicurezza per l'operatore e l'apparecchiatura.
4. È assolutamente vietato l'uso di adattatori, prese multiple e prolunghe.
5. L'apparecchiatura deve inoltre essere inclusa in un sistema equipotenziale, il cui collegamento viene effettuato mediante una vite contrassegnata dal simbolo . Il conduttore equipotenziale deve avere una sezione di 10 mm².



Il cavo di alimentazione, in dotazione, potrà essere sostituito solo con un altro di uguale sezione del tipo H07RN-F.

Per ulteriori informazioni consultare lo schema elettrico allegato.

2.3 COLLEGAMENTO IDRAULICO

Predisporre il locale secondo lo schema idraulico allegato.

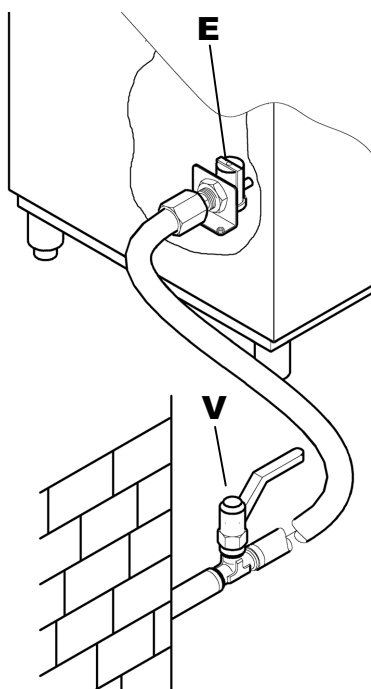
Prima di collegare l'apparecchio accertarsi che tra la rete di alimentazione idrica e l'apparecchio sia stata interposta una valvola a saracinesca che permetta di poter interrompere l'alimentazione in caso di necessità o di riparazione.

Mediante il tubo flessibile in dotazione collegare l'elettrovalvola (E) di carico alla valvola a saracinesca (V), assicurarsi che la portata di alimentazione non sia inferiore a 20 l/min.

Accertarsi che la temperatura e pressione dell'acqua di alimentazione sia corrispondente a quanto riportato nella targhetta caratteristiche tecniche.

Nel caso in cui la durezza dell'acqua dovesse risultare superiore a quanto indicato in tabella, consigliamo di installare un decalcificatore a monte della elettrovalvola di alimentazione della macchina.

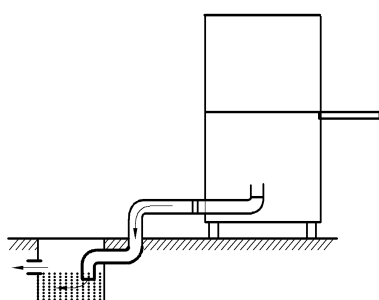
Nel caso di concentrazioni molto alte di minerali residui nell'acqua di conducibilità elevate consigliamo l'installazione di un impianto di demineralizzazione tarato per avere una durezza residua come da tabella qui di seguito riportata.



	Caratteristiche		Da	A
Durezza	Gradi francesi	f	5	10
	Gradi tedeschi	°dH	4	7'5
	Gradi inglesi	°e	5	9,5
	Parti per milione	ppm	70	140
Minerali residui	Massimo	mg/l	300/400	



2.4 COLLEGAMENTO ALLA LINEA DI SCARICO



Lo svuotamento della vasca avviene per gravità, quindi lo scarico deve essere situato ad un livello inferiore alla base della macchina

Il codolo di scarico deve essere collegato mediante tubo flessibile ad un pozzetto o piletta sifonata ricavata nel pavimento.

Le dimensioni dello scarico della macchina sono riportate nello schema installazione.

2.5 REGOLAZIONE E CONTROLLI

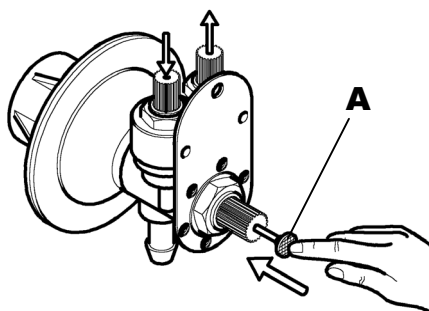


La temperatura della vasca di lavaggio è regolata a circa 55°C. Tale temperatura favorisce il corretto sfruttamento delle caratteristiche chimiche dei detersivi per lavaggio industriale.

La temperatura del boiler è di circa 85°C.

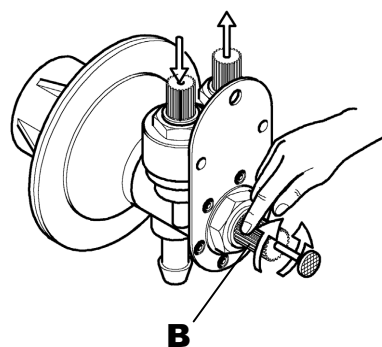


2.6 DOSATORE BRILLANTANTE



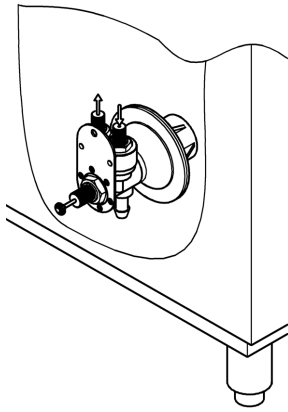
Prima di effettuare la regolazione, il dosatore ed il relativo tubetto di alimentazione dovranno essere riempiti, tramite il pulsante (A) di adescamento.

Per effettuare la regolazione si dovrà agire sulla ghiera (B) posta al centro del dosatore, ruotandola in senso orario o antiorario si otterrà, rispettivamente la riduzione oppure l'incremento della quantità erogata.



Il dosatore non deve funzionare a secco.

Una dose eccessiva di brillantante determina striature bluastre sulle stoviglie e dà luogo a formazione di schiuma nella vasca di lavaggio.



Stoviglie coperte di gocce d'acqua ed una asciugatura piuttosto lenta, indicano che la quantità di brillantante è al contrario insufficiente.

7 cm. di tubo = 1 gr. di prodotto.



2.7 DETERSIVO

Apparecchio senza dosatore di detersivo

Introdurre il detersivo nella vasca secondo la dose consigliata dal fabbricante. Tale quantità, secondo il tipo di detersivo, può variare dai 2 ai 4 gr/lt d'acqua contenuta nella vasca. Il detersivo va aggiunto ogni circa 5 lavaggi nella quantità suggerita dal fornitore del detersivo.

Le quantità sopra indicate valgono per una durezza media dell'acqua di 5-10°F (gradi francesi).

Apparecchio con dosatore di detersivo (optional)

Regolazioni:

Agendo quindi sul trimmer (A) si determina il tempo di accensione/spegnimento e di conseguenza la quantità di detergente.

- Ruotando il trimmer in senso orario o antiorario si otterrà, rispettivamente la riduzione oppure l'incremento della quantità erogata.
- Per finire la regolazione si dovranno valutare i risultati di alcuni lavaggi.



ATTENZIONE!

Il livello nel contenitore non va mai fatto scendere sino allo svuotamento né rabboccato con prodotti corrosivi o impuri.

La garanzia non copre danni conseguenti ad un errato impiego del dosatore.

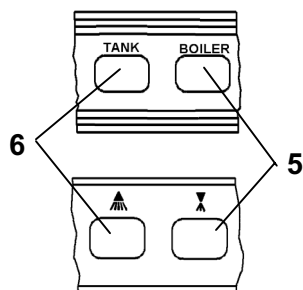
CAP.3 RACCOMANDAZIONI DI SICUREZZA



3.1 RISCHI RESIDUI E AVVERTENZA

- Non aprire mai velocemente la porta della macchina se non ha finito il ciclo.
- Non immergere mai le mani nude nelle soluzioni di lavaggio.
- Non rimuovere mai i pannelli macchina se non si è prima provveduto a scollegare l'alimentazione a monte.

- Il personale specializzato che effettua l'installazione e l'allacciamento elettrico, è tenuto ad istruire adeguatamente l'utente circa il funzionamento dell'apparecchio e le eventuali misure di sicurezza da rispettare.
- L'installatore dovrà inoltre dare all'utente dimostrazioni pratiche sul modo di utilizzo e dovrà rilasciargli le relative istruzioni scritte che vengono fornite assieme all'apparecchio stesso.
- **Questo apparecchio dovrà essere destinato solo all'uso per il quale è stato espressamente concepito. Ogni altro uso è da considerarsi improprio e quindi pericoloso.**
- La macchina non deve essere utilizzata da personale non addestrato.
- Non utilizzare mai la macchina senza protezioni (microinterruttori, pannelli od altro) predisposte dal costruttore .
- Non utilizzare mai la macchina per lavare oggetti di forma, tipo, misura, o materiale non compatibili con quanto indicato dal costruttore.
- L'eventuale riparazione della macchina dovrà essere effettuata solamente dalla casa costruttrice o da un centro di assistenza autorizzato utilizzando esclusivamente ricambi originali.
- Il mancato rispetto di quanto sopra può compromettere la sicurezza dell'apparecchio.
- La macchina non deve rimanere sotto tensione quando non viene utilizzata.
- Non avvicinare oggetti magnetici alla macchina.
- Non utilizzare la macchina senza i filtri in vasca.



3.2 DISPOSITIVI DI SICUREZZA

La scheda è in grado di riconoscere, varie situazioni di guasto.

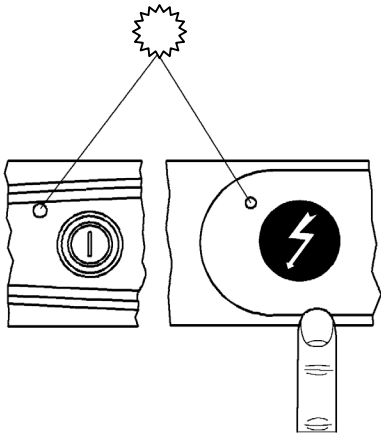
I malfunzionamenti vengono facilmente evidenziati dai messaggi dei display (5 e 6) e dall'interruzione delle eventuali funzioni in corso solo nei casi (1 e 3) sotto elencati

ATTENZIONE! Lo spegnimento e la successiva accensione della macchina "resetta" la segnalazione, che successivamente si ripresenterà se non è stato risolto il problema

Messaggio Visualizzato dai Display

	ANOMALIA RISCONTRATA:	Tank (6)	Boiler (5)
1	MANCATO RIEMPIMENTO O TRACIMAZIONE ACQUA IN VASCA (se trascorso un tempo ≥ 10 min. non è stato raggiunto il corretto livello in vasca)	Er	04
2	GUASTO SONDE BOILER (se la sonda non è correttamente collegata o danneggiata) (se la sonda è in corto circuito o danneggiata)	Er Er	07 08
3	SOVRATEMPERATURE (Temperatura eccessiva boiler e vasca) (Intervento termostato sicurezza)	HI SA	HI FE
4	GUASTO SONDE VASCA (se la sonda non è correttamente collegata o danneggiata) (se la sonda è in corto circuito o danneggiata)	Er Er	05 06
5	RISCIACQUO (Mancato riempimento del Boiler)	Er	09
6	BOILER (Guasto della resistenza Boiler) (Tempo eccessivo di riscaldamento)	Er	03

1

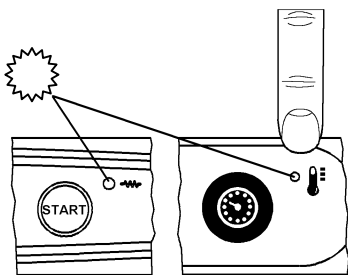


CAP.4 USO DELLA MACCHINA

4.1 DESCRIZIONE DEI COMANDI

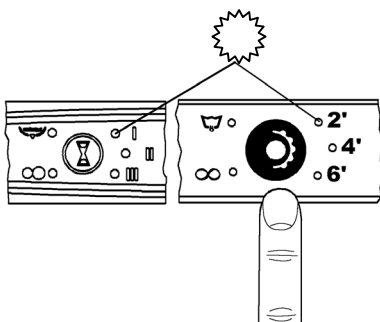
1. Per accendere la macchina premere il tasto a lato indicato (la spia corrispondente si illumina).

2



2. Quando la spia si accende la macchina è pronta all'uso. (Rosso = in riscaldamento).

3



3. Premere il tasto a lato indicato per scegliere il ciclo:

I (2')

II (4')

III (6')

Ciclo breve

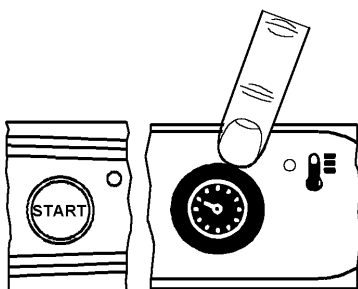
Ciclo medio

Ciclo intensivo

La spia si accende in corrispondenza del tempo selezionato.

Nota: scegliere il programma "∞" per eseguire lavaggi prolungati.

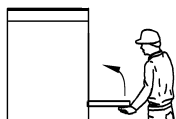
4

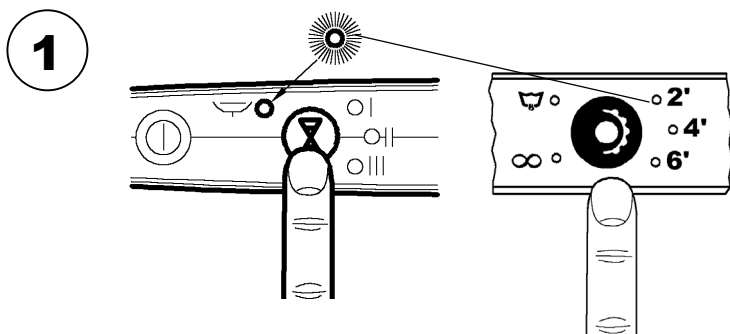


4. Chiudere la porta e premere il tasto a lato indicato, la macchina parte automaticamente.

Per i lavaggi successivi premere nuovamente il tasto

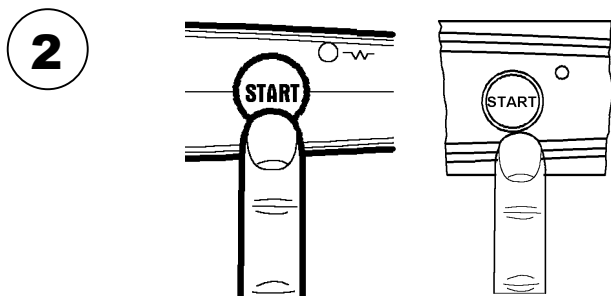
N.B.: Per interrompere il lavaggio "∞" premere il tasto, (per eseguire nuovi programmi di lavaggio ripetere la sequenza n° 3).





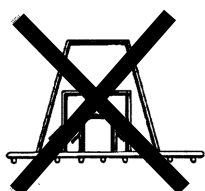
4.1.1 Scarico automatico acqua in vasca (optional)

1. Premere il tasto a lato indicato e selezionare il programma di scarico (la spia corrispondente si accende).



2. Premere il tasto a lato indicato e la macchina esegue automaticamente lo scarico dell'acqua in vasca.

4.2 UTILIZZO DELLA MACCHINA

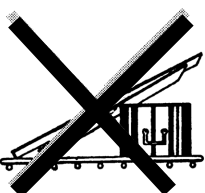


OK!



- Seguendo le istruzioni del fabbricante, immettere la quantità richiesta di detersivo nella vasca di lavaggio.

- Il detersivo deve essere di tipo industriale, liquido a schiuma frenata.

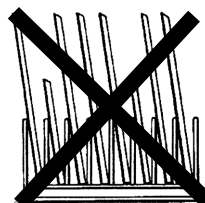


OK!

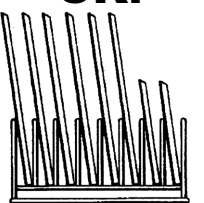


- Non immergere le mani nude nella lisciva di lavaggio, posizionare le tazze e i bicchieri rovesciati nei cestelli. Inserire i piatti nell'apposito cestello dotato di dita di supporto con la superficie interna rivolta verso l'alto.

- Mettere le posate ed i cucchiari da caffè, con l'impugnatura rivolta verso il basso.

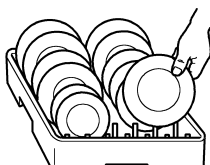
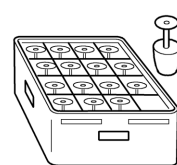


OK!

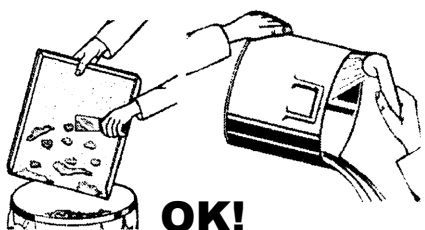


- Non sistemare posate d'argento e d'acciaio inossidabile nello stesso cestello portaposate. Ne risulterebbe la brunitura dell'argento e la probabile corrosione dell'acciaio inossidabile.

- Utilizzare i cestelli specifici appositamente concepiti per il diverso tipo di stoviglie (piatti, bicchieri, tazze, posate, ecc.). Per risparmiare detersivo ed energia elettrica, lavare solo cestelli completi, senza però sovraccaricarli. Evitare ogni sovrapposizione di stoviglie.



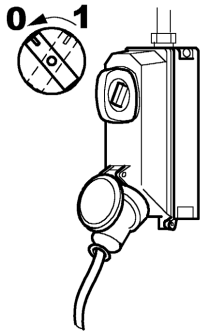
Al fine di ridurre al minimo la manutenzione, **RACCOMANDIAMO UNA PULIZIA PREVENTIVA** delle stoviglie. La rimozione di resti di cibo, bucce di limone, stuzzicadenti, noccioli d'oliva, ecc., che potrebbero parzialmente ostruire il filtro della elettropompa, diminuendo l'efficacia del lavaggio, migliorerà in modo sostanziale la qualità del risultato finale.



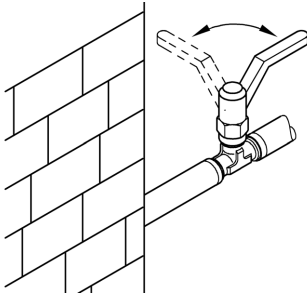
OK!

E' consigliabile lavare le stoviglie prima che i residui di cibo possano essiccare sulle loro superfici. In caso di sporco indurito, sarà opportuno effettuare un trattamento di ammollo prima di introdurre stoviglie e posate nella macchina.

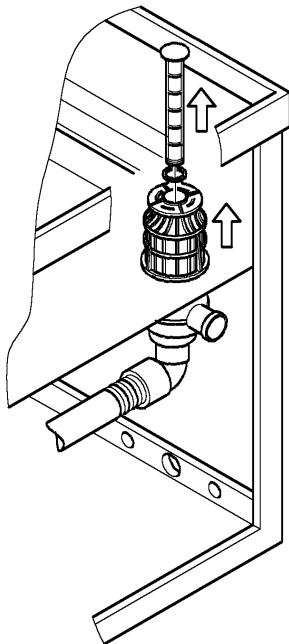
4.3 OPERAZIONI DI FINE SERVIZIO



- Togliere tensione alla macchina.
- Aprire la porta ed estrarre il cestello con le stoviglie pulite.
- Scaricare l'acqua della vasca sollevando il troppopieno. Per il modello con pompa di scarico attenersi alle operazioni descritte nel paragrafo «4.1.1 Scarico automatico acqua in vasca».



- Disinserire l'interruttore generale a monte dell'apparecchiatura.
- Chiudere la valvola a saracinesca per il collegamento idraulico.



- Togliere i filtri, pulirli sotto un getto d'acqua con una spazzola in nylon.
- Prestare attenzione a non fare cadere i residui di sporco depositati sul fondo del filtro pompa scarico all'interno della vasca. Pulire la vasca con un getto d'acqua moderato. Lavare le superfici esterne, quando sono fredde con prodotti non abrasivi appositamente formulati per la manutenzione dell'acciaio.

NOTA: Non lavare l'apparecchio con getti diretti o ad alta pressione poiché eventuali infiltrazioni ai componenti elettrici potrebbero pregiudicare il regolare funzionamento dell'apparecchio e dei singoli sistemi di sicurezza, pena la decadenza della garanzia.

CAP.5 MANUTENZIONE

5.1 REGOLE GENERALI

Le macchine sono progettate per ridurre al minimo le esigenze di manutenzione. Le regole che seguono devono essere rispettate in tutti i casi al fine di garantire una lunga durata ed un funzionamento senza inconvenienti.

In ogni caso, dovranno essere rispettate alcune regole generali per tenere le macchine in perfetto ordine di marcia:

- tenere la macchina pulita ed in ordine
- evitare che le riparazioni provvisorie o d'urgenza diventino sistematiche

La rigorosa osservanza delle regole di manutenzione periodica è estremamente importante; tutti gli organi della macchina devono essere regolarmente controllati al fine di evitare che si verificano eventuali anomalie prevedendo così i tempi necessari per l'eventuale intervento di manutenzione.

Prima di effettuare le operazioni di pulizia staccare l'alimentazione elettrica all'apparecchiatura.

5.2 MANUTENZIONE PERIODICA (da effettuarsi minimo ogni 20 giorni)

Per agevolare le operazioni che seguono può essere tolto dalla propria sede il telaio portacestelli.

- Smontare i bracci di risciacquo superiore ed inferiore, svitando il nottolino di fissaggio.
 - Pulire tutti gli spruzzi da eventuali ostruzioni e rimontarli al loro posto.
 - Smontare i bracci di lavaggio superiore ed inferiori svitando il perno di risciacquo pulirli e risciacquarli.
 - Togliere il filtro pompa di lavaggio pulirlo e risciacquarlo.
 - Quindi pulire con molta cura la vasca di lavaggio.
 - Lasciare la cappotta dell'apparecchio aperta per tutto il periodo di riposo.
 - A causa dei sali di calcio e di magnesio presenti nell'acqua, dopo un certo periodo di funzionamento, variabile in funzione alla durezza dell'acqua, sulle superfici interne della vasca del boiler e
-

delle tubazioni si forma un'incrostazione calcarea che può pregiudicare il buon funzionamento dell'apparecchio.

- Si dovrà pertanto provvedere alla periodica disincrostazione, che si consiglia di far eseguire da personale tecnicamente qualificato.
- Qualora l'apparecchio dovesse rimanere inattivo per un lungo periodo, oliare le superfici in acciaio con olio di vasellina.
- Nel caso di pericolo di formazione di ghiaccio, fare scaricare, da personale tecnicamente qualificato l'acqua dal boiler e dalla pompa di lavaggio.
- **In caso di malfunzionamento o di guasti, rivolgersi esclusivamente ad un centro di assistenza tecnica autorizzato dal costruttore dell'apparecchiatura o dal suo Concessionario.**



CAP.6 SMANTELLAMENTO

6.1 SMANTELLAMENTO DELLA MACCHINA

Sulle nostre macchine non esistono materiali che richiedono particolari procedure di smaltimento.

INDÍCE

CAP.1 INTRODUCCIÓN	51
CAP.2 INSTALACIÓN.....	51
2.1 MANEJO Y DESEMBALAJE.....	51
2.2 CONEXIÓN ELÉCTRICA.....	52
2.3 CONEXIÓN HIDRÁULICA.	52
2.4 CONEXIÓN AL DESAGÜE.	53
2.5 REGULACIONES Y CONTROLES..	53
2.6 DOSIFICADOR ABRILLANTADOR.....	53
2.7 DETERGENTE.	54
CAP.3 RECOMENDACIONES DE SEGURIDAD	54
3.1 RIESGOS RESIDUALES Y ADVERTENCIAS.....	54
3.2 DISPOSITIVOS DE SEGURIDAD	55
CAP.4 USO DE LA MAQUINA.....	56
4.1 Descripción de los mandos.....	56
4.2 Utilización de la máquina.	57
4.3 Operaciones de conclusión.....	58
CAP.5 MANUTENCIÓN	59
5.1 NORMAS GENERALES.	59
5.2 MANUTENCIÓN PERIÓDICA (hay que efectuarla como mínimo cada 20 días).....	59
CAP.6 DESARME	60
6.1 DESARME DE LA MÁQUINA	60

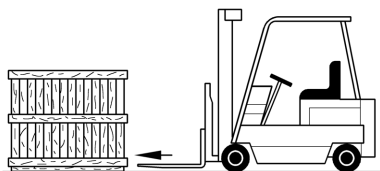
CAP.1 INTRODUCCIÓN

Las observaciones de este manual contienen indicaciones importantes referentes a la seguridad de las distintas fases: la instalación, el empleo y la manutención.

El usuario tendrá que leer obligatoriamente el presente manual antes de empezar cada operación concerniente al movimiento, la instalación, el uso, la manutención y el apagado de la misma máquina; así pues es necesario conservarlo íntegramente en el tiempo, colocándolo en un sitio seguro y realizar diversas copias para su frecuente consultación.

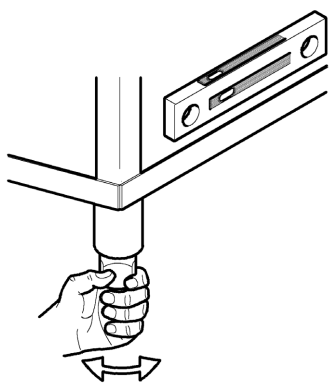
CAP.2 INSTALACIÓN

2.1 MANEJO Y DESEMBALAJE



- El manejo debe realizarse con gran cuidado por medio de una máquina elevadora.
- Verificar la integridad del aparato, y, en el caso de daños visibles, informar inmediatamente al vendedor y al transportista que haya efectuado el transporte. En caso de duda no utilizar el aparato hasta que no haya sido controlado por el personal especializado.
- Transportar la máquina al lugar previsto para su ubicación y desembalarla.

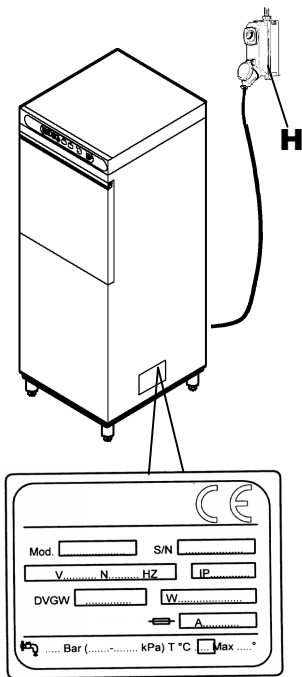
Los elementos del embalaje (bolsas de plástico, poliuretano expandido, clavos, etc....) no deben dejarse al alcance de los niños, pues constituyen un peligro potencial.




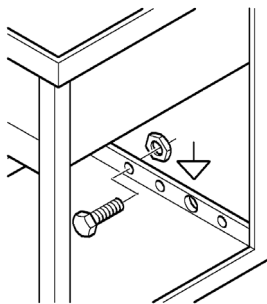
- La instalación debe ser realizada según las instrucciones del constructor y por el personal profesionalmente calificado.
- Este aparato está apto únicamente por una conexión fija.
- Posicionar el aparato teniendo en cuenta que debe quedar perfectamente nivelado regulando las patas.
- La pavimentación deberá tener en cuenta el peso global del aparato.
- Siguiendo las indicaciones del esquema de la instalación del aparato disponer, en la zona de lavado, las instalaciones de alimentación eléctrica, abastecimiento hídrico y desagüe.



2.2 CONEXIÓN ELÉCTRICA



1. La conexión a la red se efectuará mediante un interruptor general (H) Debe ser de tipo omnipolar, que interrumpa todos los contactos, incluido el neutro, con una distancia entre los contactos abiertos de almenos 3 mm., con desconexión magnetotérmica de seguridad o acoplado a fusibles en grado de soportar la corriente máxima indicada en la placa.
2. Asegurarse que la tensión y la frecuencia a la red eléctrica correspondan a las de la placa que contiene las características técnicas y que se encuentra en el lado derecho del aparato.
3. Una eficaz conexión a tierra, obligatoria según las normas de prevención en vigor, es una garantía de seguridad para el usuario y el aparato.
4. Está totalmente prohibido el uso de adaptadores, tomas múltiples y alargadores.
5. El aparato debe incluirse además en un sistema equipotencial, cuya conexión se realice mediante un tornillo indicado con el símbolo.  El conductor equipotencial debe tener una sección de 10 mm².



El cable de alimentación, en dotación, solamente podrá substituirse por otro del mismo espesor de tipo HR7RN-F.

Para mayor información consultar el esquema eléctrico anexo.

2.3 CONEXIÓN HIDRÁULICA

Preparar el local según el esquema hidráulico anexo.

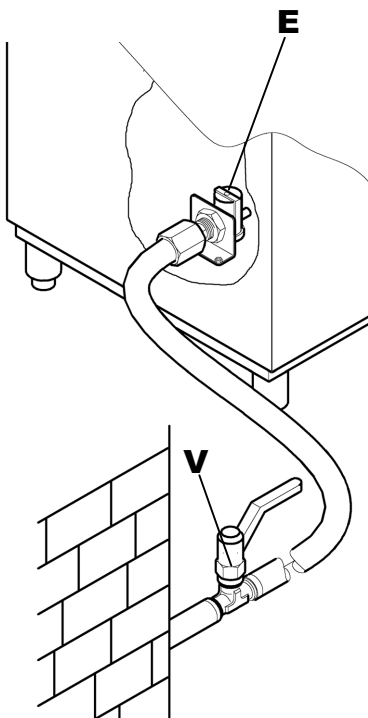
Antes de conectar el aparato, asegurarse que entre la red de alimentación hidráulica y el aparato se haya intercalado una válvula a compuerta para poder cortar la alimentación en caso de necesidad o reparación.

Mediante un tubo flexible conectar la electroválvula (E) de cargo a la válvula a compuerta (V), comprobando que la capacidad de alimentación no sea inferior a 20l/min.

Asegurarse que la temperatura y presión del agua de la alimentación corresponda a lo referido en la placa de las características técnicas.

En el caso de que la dureza del agua fuese superior a la indicada en el cuadro, se aconseja instalar una descalcificadora arriba en la electroválvula de alimentación de la máquina.

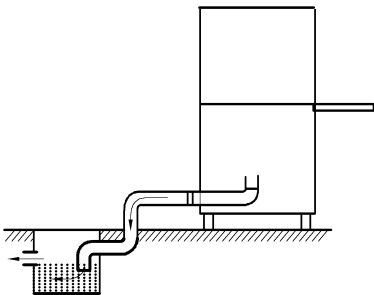
En el caso de concentración muy elevada en el agua de residuos minerales de alta conducibilidad, aconsejamos una instalación de un desmineralizador tarado para obtener una dureza residua como en el cuadro.



	Características		Desde	Hasta
Dureza	Grados franceses	f	5	10
	Grados alemanes	°dH	4	7'5
	Grados ingleses	°e	5	9,5
	Partes de millón	ppm	70	140
Minerales residuos	Máximo	mg/l	300/400	



2.4 CONEXIÓN AL DESAGÜE



Teniendo en cuenta que el vaciado de la cuba se efectúa por gravedad, el desagüe debe estar situado en un nivel inferior al de la base de la máquina.

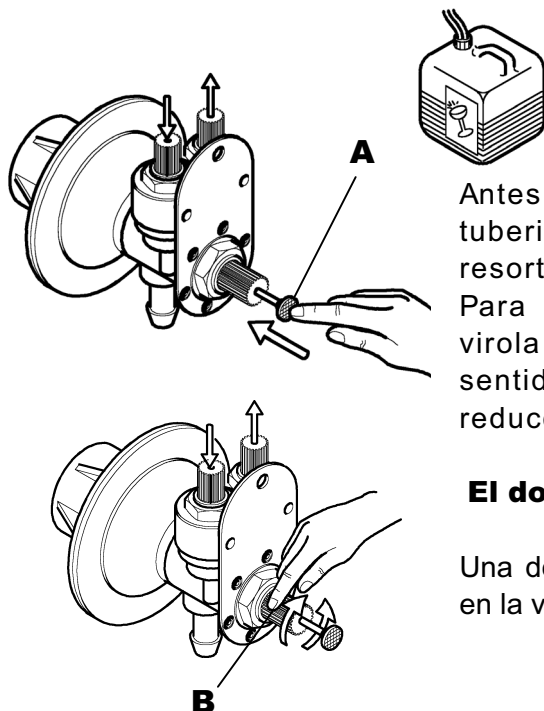
El tubo del desagüe debe conectarse mediante una tubería flexible a un sumidero o arqueta sifónica escabada en el suelo.

Las dimensiones del desagüe de la máquina se encuentran en el esquema de la instalación.



2.5 REGULACIONES Y CONTROLES

La temperatura del tanque de lavado está reglada, por un termóstato fijo, a 55° C aproximadamente. Dicha temperatura favorece la correcta explotación de las características químicas de los detergentes para lavado industrial. La temperatura del calentador de agua, reglada por un termóstato fijo, es de 85° C aproximadamente.



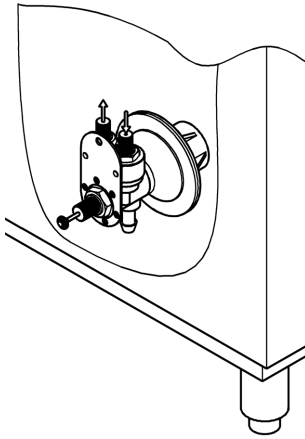
2.6 DOSIFICADOR ABRILLANTADOR

Antes de efectuar la regulación, el dosificador y la respectiva tubería de alimentación tendrán que rellenarse a través del resorte (A).

Para efectuar la regulación es necesario actuar sobre la virola (B) situada al centro del dosificador, y girandola en el sentido horario o antihorario se obtiene respectivamente la reducción o el aumento de la cantidad suministrada.

El dosificador no debe funcionar o quedar en seco.

Una dosis excesiva de agente brillantador causa estriaciones azules en la vajilla y la formación de espuma en el tanque de lavado.



En caso de que existan concentraciones muy altas de minerales residuales en el agua o conductividad elevada, aconsejamos de instalar una planta de desmineralización ajustada para lograr una dureza residual.

7cm. de tubo = 1 gr. de producto



2.7 DETERGENTE

Aparato sin dosificador de detergente

Introducir el detergente en la cuba según la dosis recomendada por el fabricante. Tal cantidad, dependiendo del tipo de detergente, puede oscilar entre los 2 y 4 gr./l de agua contenida en la cuba. El detergente se añade cada 5 lavados en la cantidad recomendada por el proveedor del detergente.

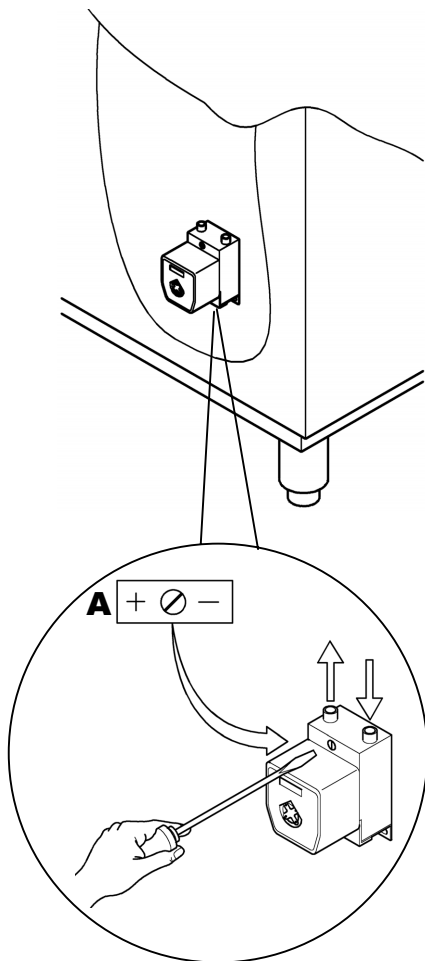
Las cantidades arriba indicadas equivalen a una dureza de la media del agua de 5-10° F (grados franceses).

Aparato con dosificador de detergente (optional)

Regulacion

Actuando sobre el trimmer (**A**) se determina el tiempo del encendido/apagado y consecuentemente la cantidad de detergente.

- Girando el temporizador en el sentido horario o antihorario se obtendrá respectivamente la reducción o el incremento de la cantidad emitida.
- Para terminar la regulación es necesario evaluar los resultados de algunos lavados.



ADVERTENCIA:

El nivel del recipiente no debe jamás estar vacío ni ser rellenado con productos corrosivos o impuros.

La garantía no cubre los daños producidos por una mala utilización del dosificador.

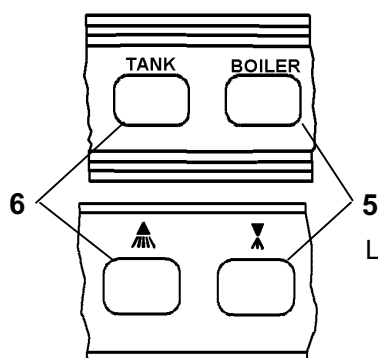
CAP.3 RECOMENDACIONES DE SEGURIDAD



3.1 RIESGOS RESIDUALES Y ADVERTENCIAS

- No abrir nunca rápidamente la puerta de la máquina si no ha terminado el ciclo.
- No sumergir nunca las manos desnudas en la solución del lavado.
- No remover jamás los paneles del aparato sin antes desconectar la alimentación de arriba.

- El personal especializado que efectúa la instalación y la conexión eléctrica, está obligado a instruir correctamente a los usuarios sobre el funcionamiento del aparato y las medidas de seguridad a seguir.
- El instalador debe por lo tanto hacer demostraciones prácticas sobre la forma de utilización y dejar al usuario las instrucciones escritas adjuntas con el aparato.
- **Este aparato deberá utilizarse únicamente para el fin para el cual ha sido concebido. Cualquier otra utilización debe por lo tanto considerarse impropia y peligrosa.**
- La máquina no debe ser utilizada por el personal no cualificado.
- No utilizar nunca la máquina sin las protecciones (microinterruptores, paneles u otros) instaladas por el constructor.
- No utilizar nunca la máquina para lavar los objetos de tipo, forma, medidas o materiales no compatibles con los indicados por el constructor.
- La reparación eventual de la máquina la realizará solamente el constructor o un centro post-venta autorizado, utilizando exclusivamente repuestos originales.
- El incumplimiento de lo arriba mencionado puede comprometer la seguridad del aparato.
- La máquina no debe quedar bajo tensión cuando no se utiliza.
- No acercar objetos magnéticos a la máquina.
- No utilizar la máquina sin los filtros en cuba.



3.2 DISPOSITIVOS DE SEGURIDAD

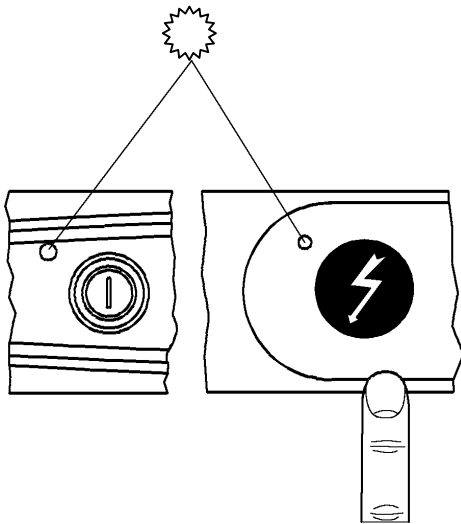
La tarjeta es capaz de reconocer, diversas situaciones de avería.

Los funcionamientos defectuosos vienen evidenciados fácilmente por los mensajes del display (5 y 6) y por la interrupción de las eventuales funciones en curso sólo en los casos (1 y 3) abajo indicados. ¡ATENCIÓN! El apagado y el sucesivo encendido de la máquina “restablece” la señal, que se presentará sucesivamente si no ha sido solucionado el problema.

Mensaje visualizado por los display

	ANOMALIA RISCONTRATA:	Pileta (6) ▲	Calentador Eléctrico (5) ▼
1	FALLIDO LLENADO O DESBORDAMIENTO AGUA EN LA PILETA (si transcurrido un tiempo ≥ 10 min. se ha obtenido el correcto nivel en la piletta).	E _P	04
2	AVERÍA SONDAS CALENTADOR ELÉCTRICO (si la sonda no está correctamente conectada o dañada) (si la sonda está en corto circuito o dañada)	E _P E _P	07 08
3	SOBRETENPERATURA (Temperatura excesiva calentador eléctrico y pileta) (intervención termostato seguridad)	HI SA	HI FE
4	AVERÍA SONDAS PILETA (si la sonda no está correctamente conectada o dañada) (si la sonda está en corto circuito o dañada)	E _P E _P	05 06
5	ENJUAGUE (Fallado relleno del boiler)	E _P	09
6	CALENTADOR ELÉCTRICO (Avería de la resistencia del Calentador) (Tiempo excesivo de calentamiento)	E _P	03

1

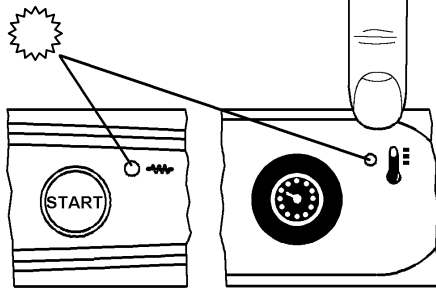


CAP.4 USO DE LA MÁQUINA

4.1 DESCRIPCIÓN DE LOS MANDOS

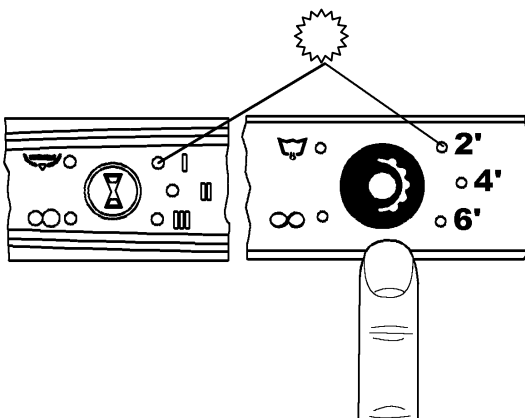
1. Para encender la máquina apretar la tecla al lado indicada (el indicador luminoso correspondiente se ilumina).

2



2. Cuando la luz indicadora se enciende la máquina está lista para el uso. (Rojo= en calentamiento).

3



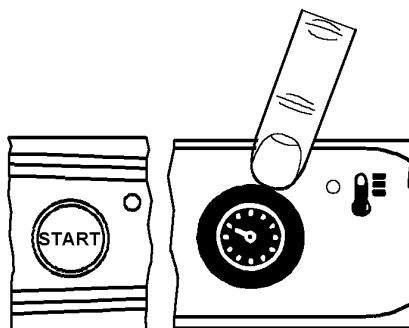
3. Apretar la tecla indicada al lado para seleccionar el ciclo

I	II	III
Ciclo breve	Ciclo medio	Ciclo intensivo

La luz se enciende en correspondencia con el tiempo seleccionado

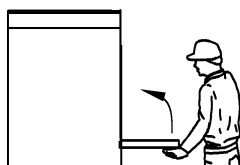
Nota: elegir el programa "∞" para efectuar lavados prolongados.

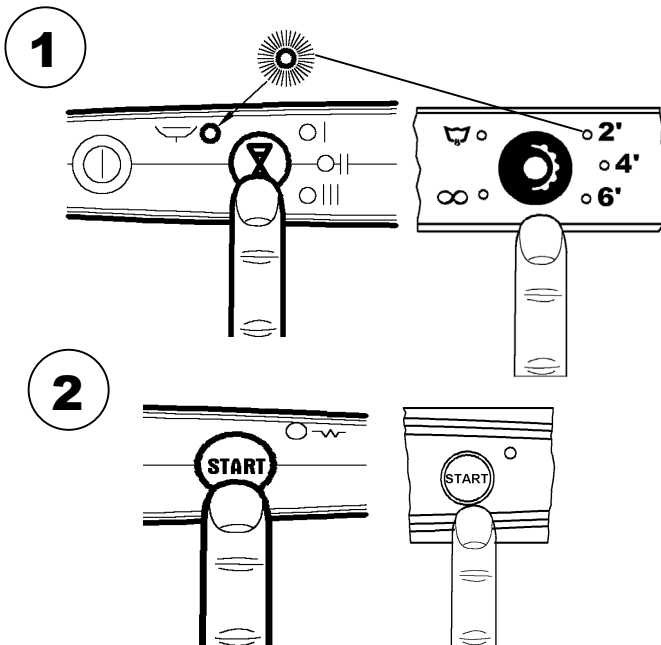
4



4. Cerrar la puerta y apretar la tecla indicada al lado, la máquina se pone en marcha automáticamente. Para los lavados sucesivos apretar de nuevo la tecla.

N.B.: Para interrumpir el lavado "∞" apretar la tecla, (para efectuar nuevos programas de lavado repetir la secuencia nº3).





4.1.1 Descarga automática agua en la pileta (opcional).

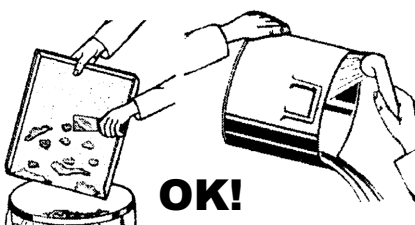
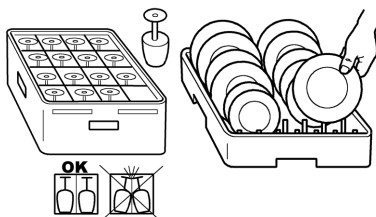
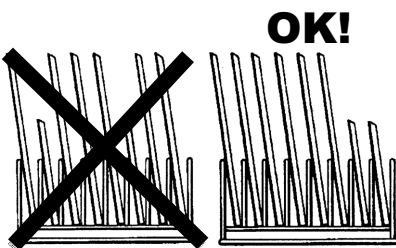
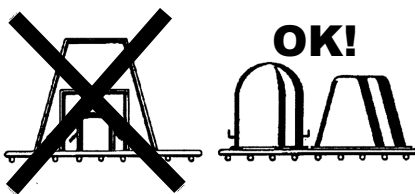
1. Apretar la tecla indicada al lado y seleccionar el programa de descarga (el indicador luminoso correspondiente se ilumina).
2. Apretar la tecla al lado indicada y a la máquina ejecuta automáticamente la descarga del agua en la pileta.

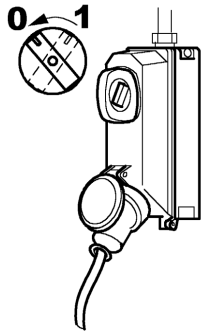
4.2 UTILIZACIÓN DE LA MAQUINA

- Siguiendo las instrucciones del constructor, se introduzca la cantidad necesaria de detergente en el tanque de lavado
- El detergente tiene que ser de tipo industrial, de espuma frenada.
- No poner las manos desnudas en la lejía de lavado, se pongan las tazas y los vasos volcados en los canastillos. Insértense los platos en el canastillo al efecto, que está dotado de dedos de apoyo, con la superficie interior dirigida hacia arriba.
- Colóquense los cubiertos y las cucharillas de café con los mangos dirigidas hacia abajo.
- No se deben colocar cubiertos de plata y de acero inoxidable en el mismo canastillo portacubiertos. El resultado sería que la plata quedaría bruida y el acero inoxidable probablemente corroído.
- Empléense los canastillos específicos expresamente estudiados para las distintas clases de vajilla (platos, vasos, tazas, cubiertos, etc.). Para ahorrar detergente y energía eléctrica, lávense solamente canastillos completos, pero sin sobrecargarlos. Evítese cualquier superposición de vajilla.

Para reducir la mantención al mínimo, **SE RECOMIENDA LA LIMPIEZA PREVIA** de la vajilla. La remoción de restos de comida, cáscaras de limón, palillos, huesos de aceituna, etc., que podrían atascar parcialmente el filtro de la electrobomba, disminuyendo la eficacia del lavado, mejorará de manera considerable la calidad del resultado final.

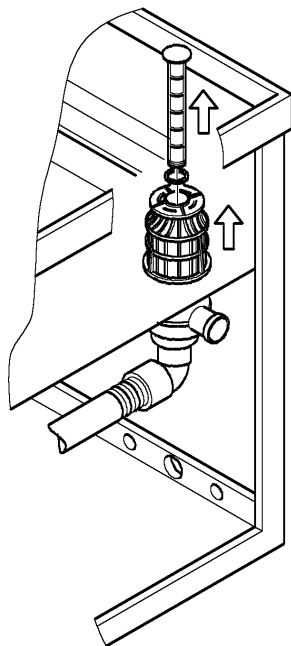
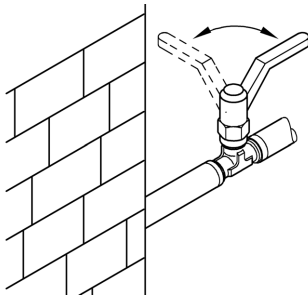
Es aconsejable lavar la vajilla antes que los restos de comida puedan secarse en su superficie. Caso de haber suciedad endurecida, será oportuno mojarla previamente, antes de introducir vajilla y cubiertos en el aparato.





4.3 OPERACIONES DE CONCLUSIÓN

- Desconectar el lavavajillas
- Abrir la puerta y extraer el cestillo con la vajilla limpia.
- Descargar el agua del depósito levantando el demasiadolleno. Para los modelos de bomba de descarga apoyarse en las operaciones descritas en el párrafo «Instrucciones de uso».
- Desconectar el interruptor general del aparato.
- Cerrar la válvula a cortina para la conexión hidráulica.
- Quitar los filtros y limpiarlos debajo de un chorro de agua con un cepillo de nylon.
- Cuidar que no caigan dentro del depósito los restos de basura depositados en el fondo del filtro de la bomba de descarga. Aclarar el depósito con un chorro moderado de agua. Lavar las superficies externas cuando se enfrien con productos no abrasivos para la conservación del acero.



NOTA: No lavar el lavavajillas con chorros directos o a alta presión porque pueden dañar los componentes eléctricos al infiltrarse el agua, pudiendo perjudicar el buen funcionamiento del aparato y de los sistemas de seguridad, perdiendo así el derecho a la garantía.

CAP.5 MANUTENCION

5.1 NORMAS GENERALES

Las máquinas se han proyectado para reducir al mínimo las necesidades de manutención. Se tienen que respetar siempre las reglas que van a continuación para garantizar una mayor duración y un funcionamiento sin inconvenientes.

Además se tienen que respetar algunas reglas generales para mantener las máquinas en perfecto orden de marcha:

- mantener la máquina limpia y en orden
- evitar que las reparaciones provisionales o de urgencia lleguen a ser sistemáticas

La rigurosa observancia de las reglas de manutención periódica es extremadamente importante; hay que controlar regularmente todos los órganos de la máquina para evitar que se ocasionen eventuales averías, previendo de esta manera los tiempos y los medios necesarios para realizar eventuales operaciones de manutención.

Antes de efectuar las operaciones de limpieza desconectar el aparato de la alimentación eléctrica.

5.2 MANUTENCIÓN PERIÓDICA (hay que efectuarla como mínimo cada 20 días)

Para facilitar las operaciones siguientes se puede quitar el armazón apoyacestos.

Desmontar los brazos del aclarado superior e inferior, desenroscando el seguro que lo fija.

Desatornillense y límpiense todos los rociadores y se vuelvan a montar en su sitio.

- Desmontar los brazos del lavado superior e inferior desenroscando el perno del aclarado limpiarlos y aclararlos.
- Quítese el filtro de la bomba de lavado, límpiense y enjuáguese.
- A continuación, límpiense con mucha atención el tanque de lavado.
- Déjese abierta la tapa del aparato durante todo el tiempo de descanso.
- Como consecuencia de las sales de calcio y de magnesio existentes en el agua, después de cierto periodo de funcionamiento, que varía según el grado de dureza del agua, en las superficies interiores del tanque, del calentador de agua y de

las tuberías se forma una incrustación de cal que puede perjudicar el buen funcionamiento del aparato.

- Por lo tanto se tendrá que desprender periódicamente las incrustaciones, un trabajo que se aconseja de confiar a personal técnicamente calificado.
- Caso de que el aparato tuviera que quedar parado durante largo tiempo, hay que lubricar las superficies de acero con aceite de vaselina.
- Caso de haber peligro de formación de hielo, hágase además vaciar, por personal técnicamente calificado, el agua del calentador y de la bomba de lavado.
- **En caso de funcionamiento anómalo o de averías, hay que dirigirse única y exclusivamente a un centro de asistencia técnica autorizado por el constructor del aparato o por su Concesionario.**



CAP.6 DESARME

6.1 DESARME DE LA MÁQUINA

Nuestras máquinas se construyen con materiales que no requieren especiales procedimientos para su eliminación.

SUMÁRIO

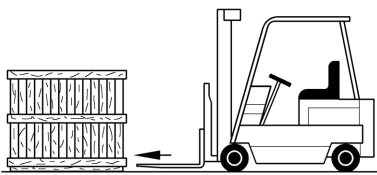
CAP.1 PREFACÇÃO.....	63
CAP.2 INSTALAÇÃO	63
2.1 MOVIMENTAÇÃO E DESEMBALAGEM	63
2.2 LIGAÇÃO ELETRICA.....	64
2.3 LIGAÇÃO HIDRAULICA	64
2.4 CONEXÃO À REDE DE DESCARGA.....	65
2.5 REGULAGENS E CONTROLES	65
2.6 DOSAGEM DO CLARIFICADOR.....	65
2.7 DETERGENTE.....	66
CAP.3 RECOMENDAÇÕES DE SEGURANÇA.....	66
3.1 RISCOS E INDICAÇÕES.....	66
3.2 DISPOSITIVOS DE SGURANÇA	67
CAP.4 UTILIZAÇÃO DA MÁQUINA.....	68
4.1 DESCRIÇÃO DOS COMANDOS.....	68
4.1.1 Descarga automática da água no tanque.....	69
4.2 USO DA MÁQUINA.....	69
4.3 OPERAÇÕES DE FIM SERVIÇO	70
CAP.5 MANUTENÇÃO	71
5.1 REGRAS GERAIS	71
5.2 MANUTENÇÃO PERIODICA (deve ser feita no mínimo cada 20 dias)	71
CAP.6 DESMANTELAMENTO	72
6.1 DESMANTELAMENTO DA MÁQUINA.....	72

CAP.1 PREFACÇÃO

As advertências neste manual fornecem importantes indicações acerca da segurança da instalação, o uso e a manutenção. Aconselha-se ler atentamente estas recomendações antes de ligar a máquina e observá-las cuidadosamente; Guarde com cuidado este manual para qualquer ulterior consulta dos operadores.

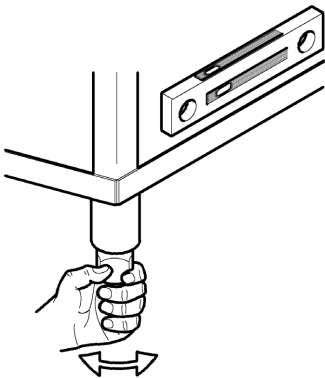
CAP.2 INSTALAÇÃO

2.1 MOVIMENTAÇÃO E DESEMBALAGEM



- Movimente as máquinas com muito cuidado por meio dum carro elevador.
- Verificar a integridade do aparelho. Caso houver estragos visíveis, informar imediatamente o vendedor e o transportador que efetuou o transporte. Em caso de dúvida, recomenda-se não utilizar o aparelho até que o mesmo não for controlado por pessoal especializado.
- Transportar a máquina para o local previsto para a sua instalação, retirando a embalagem.

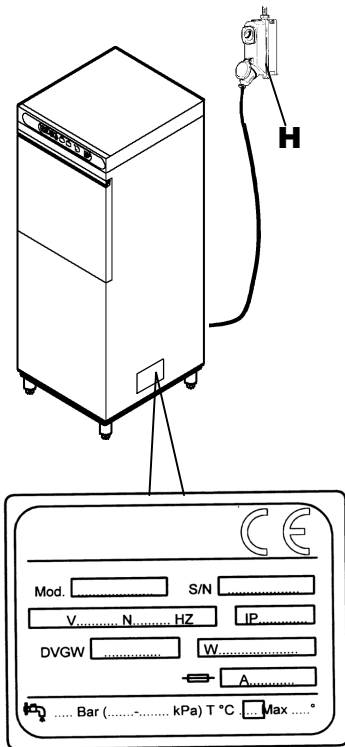
Os elementos da embalagem (saquinhos de plástico, espuma de poliestireno, pregos, etc.) não devem ser deixados ao alcance das crianças por constituírem fonte de potencial perigo.



- A instalação deve ser efectuada de acordo com as instruções do construtor e por pessoal profissionalmente qualificado.
- Este aparelho foi projetado para funcionar somente com uma ligação fixa.
- Atarraxe nos suportes da máquina os pés e colocá-la na correcta posição e nivelá-la atarraxando ou desatarraxando os pés.
- A pavimentação deve levar em conta o peso global da máquina
- Seguindo as indicações enunciadas no esquema dimensional da máquina, preparar, no local de lavagem, as instalações de alimentação eléctrica, de abastecimento hídrico e esvaziamento.



2.2 LIGAÇÃO ELETRICA

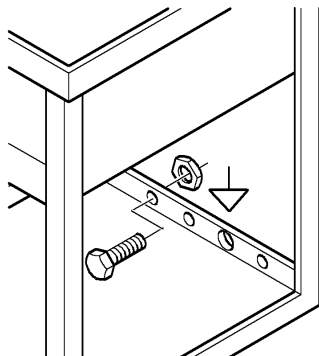


1. A conexão à rede deve ser efectuada por meio dum interruptor geral (H) deve ser do tipo omnipolar, que interrompe todos os contatos inclusive o neutro, com a distância entre os contatos abertos de pelo 3mm, com disparo do disjuntor termomagnético de segurança ou acoplado com fusíveis e capaz de suportar a corrente como indicadas na placa da máquina.
2. Antes de juntar o aparelho certifique-se de que tensão e frequência estejam correspondentes aos indicados na placa das características da máquina.
3. Antes de juntar a máquina com rede eléctrica certifique-se que não esteja tensão na linha de alimentação.
4. E rigorosamente proibido o uso de adaptadores, tomadas multiplas e extensoes.
5. Além disso a aparelhagem deve ser incluída num sistema equipotencial, cuja conexão se realiza por meio dum parafuso marcado pelo símbolo ∇ . O conductor equipotencial deve ter uma secção de 10 mm².



O cabo de alimentação pode ser substituído somente por um outro de igual secção do género H07RN-F.

Para qualquer esclarecimento consulte a planimetria geral de instalação fornecida à parte.



2.3 LIGAÇÃO HIDRAULICA

Predispor o local de acordo com o esquema hidráulico em anexo

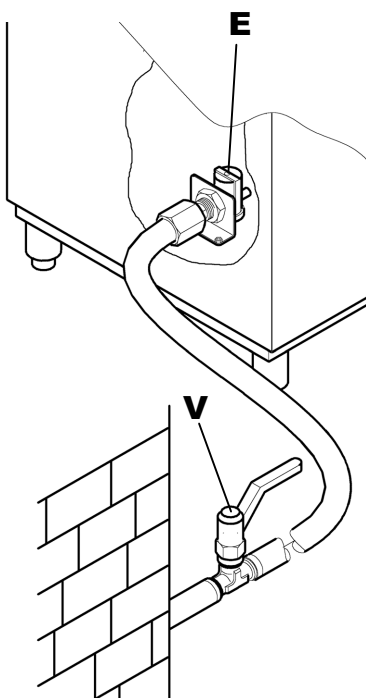
Antes de ligar o aparelho, controlar se entre a rede de alimentação hídrica e o aparelho foi interposta uma válvula de comporta que possibilite interromper a alimentação, se for preciso ou se houver a necessidade de consertos.

Por meio de um tubo flexível, ligar a electroválvula (E) de alimentação a torneira de alimentação (V). A capacidade da tubagem de alimentação da máquina não deverá ser inferior a 20 litros por minuto.

Verificar se a temperatura da água de alimentação corresponde à recomendada na plaqueta das características.

Caso a dureza da água resulte superior a de como tabela, aconselhamos a instalação de um descalcificador a juzante da válvula eléctrica de alimentação da máquina.

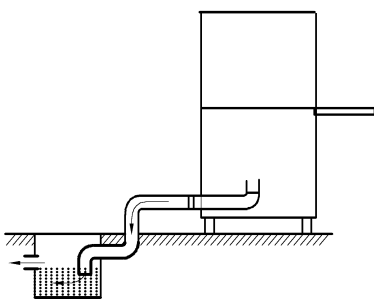
No caso de concentrações muito elevadas de minerais resíduos na água, ou de condutibilidades elevadas, aconselhamos a instalação de um equipamento de desmineralização ajustado para ter uma dureza resídua de como tabela.



	Características		Da	A
Dureza	Graus franceses	f	5	10
	Graus alemães	°dH	4	7'5
	Graus ingleses	°e	5	9,5
	Pound/ Squ. Inch	ppm	70	140
Minerais resíduos	Máximo	mg/l	300/400	



2.4 CONEXÃO À REDE DE DESCARGA



Sendo que o esvaziamento do tanque se dá pela gravidade, a descarga deve estar situada a um nível inferior em relação à base da máquina.

A cavilha de descarga deve ser ligada, por meio de um tubo flexível a um recipiente de recolha ou saída com sifão cavada no chão.

Pela posição dos descargos consulte a planimetria geral de instalação fornecida à parte.

2.5 REGULAGEM E CONTROLES

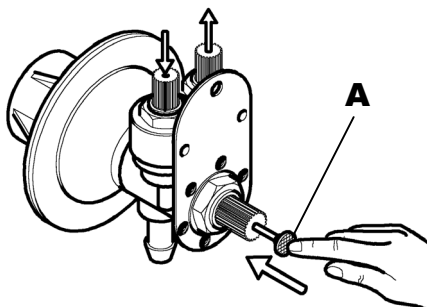


A temperatura do tanque de lavagem é regulada, por meio de um termostato fixo, em cerca de 55° C. Essa temperatura favorece o correcto aproveitamento das características químicas dos detergentes para a lavagem industrial .

A temperatura do aquecedor de água, regulada por um termostato fixo é de cerca de 85° C.

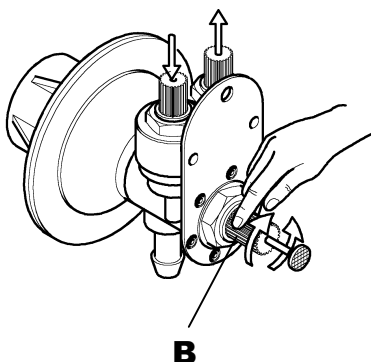


2.6 DOSAGEM DO CLARIFICADOR



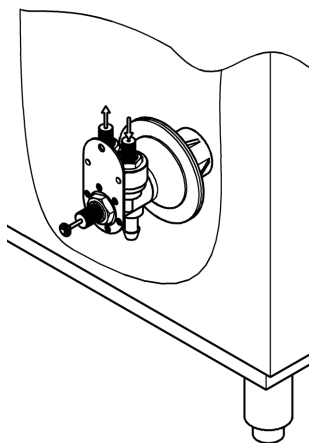
Antes de efetuar a sua regulagem, o dosificador e o respectivo tubo de alimentação deverao ser enchidos, meio do botão (A).

Será preciso, a esta altura, ajustar o parafuso (B) de regulagem do dosificador. Rodando esse parafuso em sentido horário ou anti-horário obter-se-á, respectivamente, a redução ou a aumento da quantidade fornecida.



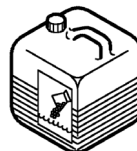
O dosificador não deve funcionar nem ficar seco.

Uma dose excessiva de produto de enxágue provoca estrias azuladas na louça e ocasiona a formação de espuma no tanque de lavagem.



Louças cobertas de gotas de água e uma secagem demorada indicam, ao contrário, que a quantidade de produto de enxágue é insuficiente.

7 cm de tubo = 1 g de produto



2.7 DETERGENTE

Maquina sem dosador de detergente

De acordo com as instruções do fabricante, introduzir a quantidade prevista de detergente. Esta quantidade, dependendo o tipo de detergente, pode oscilar da 2 a 4 gr/lt na água contida no tanque. Junte o detergente acerca lavagens na quantidade aconselhada pelo fornecedor escolhido.

Este quantidade **supracitados** è a considerar para a **dureza da água** di 5-10°F (gradi francesi).

Maquina com dosador de detergente

Programação

Mova o trimmer (A) determinando os intervalos de funcionamento e de pausa e de consequencia a quantidade de detergente.

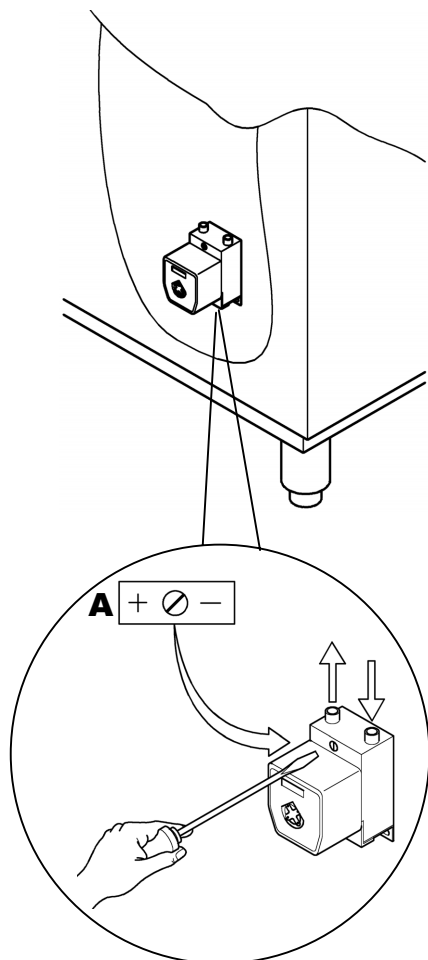
- Gire o trimmer em senso horario se quiser mais detergente, caso contrario, gire em senso anti horario.
- Para terminar a programação avaliar o resultado de algumas lavagens.



ATENÇÃO!

Nunca esvazie o nivel do recipiente, nunca adicione produtos impuros ou corros; vos.

A garantia não cobre os danos consequentes d'um uso errado do doseador.



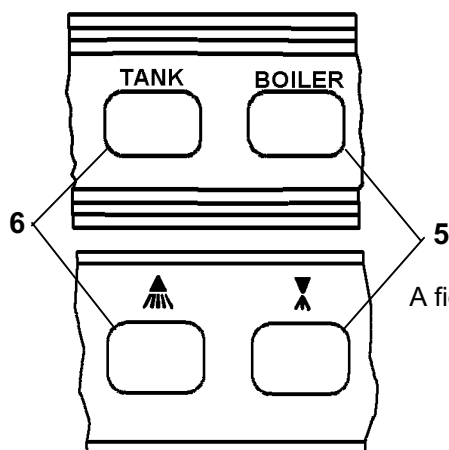
CAP.3 RECOMENDAÇÕES DE SEGURANÇA



3.1 RISCOS E INDICAÇÕES

- Nunca abra a porta rapidamente se ainda não tiver terminado o ciclo.
- Não mergulhe as mãos na solução de lavagem.
- Nunca tire os painéis máquina se a electricidade não estar excluída.
- O pessoal que efetua a instalação e a ligação eléctrica deve instruir adequadamente os utilizadores sobre o funcionamento da instalação e nas medidas de segurança que deve ser seguida.

- O instalador deve dar também demonstrações práticas sobre o modo de utilização e certificar-se de que estejam em seu possesso as instruções anexadas na máquina.
- **Este aparelho é apenas para a utilização para qual foi construído. Qualquer outra utilização deve ser julgada inadequata e por isso perigosa.**
- A máquina não deve ser utilizada por operadores não qualificados.
- Não utilize **NUNCA** a máquina sem proteções (microcontatos painéis ou outros) predispostas pelo constructor se não for na presença de um técnico qualificado que tome as devidas precauções do caso.
- Não utilize **NUNCA** a máquina para lavar objetos de tipo, forma, medida, ou material incompatíveis com quanto indicado pelo construtor.
- A eventual reparação deve ser efectuada somente da firma produtora ou dum Centro de Assistência autorizado utilizando somente peças originais.
- Não respeitar quanto supradito pode alterar a segurança do aparelho.
- A máquina deve ficar desligada quando não estar utilizada.
- Não aproximar objectos magnéticos à máquina.
- Não utilizar a máquina sem os filtros no tanque.



3.2 DISPOSITIVOS DE SGURANÇA

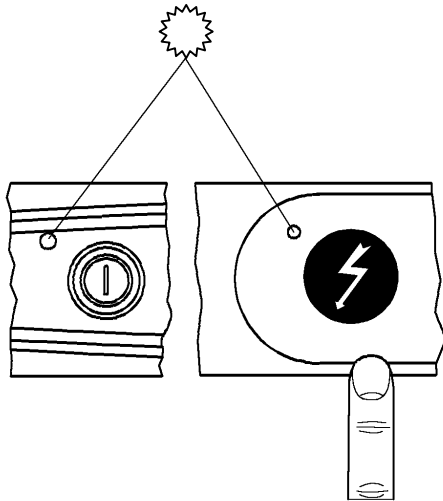
A ficha é capaz de reconhecer várias situações de defeito.

Os maus tuncionamentos são facilmente evidenciados pelas mensagens do display (5 e 6) e pela interrupção das eventuais funções em curso, apenas nos casos (1 e 3) abaixo indicados.

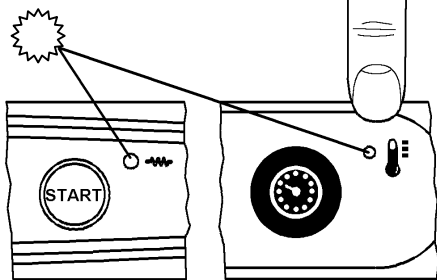
ATENÇÃO! O desligamento e a sucessiva acensão da máquina “reinicializa” a sinalização, que sucessivamente reaperantar-se-á se não tiver sido resolvido o problema.

		Mensagem Visualizada no Painel	
	ANOMALIA ASSINALADA:	Recipiente (6) ▲	Boiler (5) ▼
1	NÍVEL DE ÁGUA INSUFICIENTE OU REFLUXO (se após um tempo ≥ 10 min. não for atingido o correto nível de água no recipiente)	Er	04
2	DEFEITO SENSOR BOILER (se o sensor não estiver corretamente conetado ou danificado) (se o sensor entrar em curto-circuito ou danificado)	Er Er	07 08
3	SUPERAQUECIMENTOS (Temperatura excessiva boiler e recipiente) (Intervento termostato de segurança)	Hl SA	Hl FE
4	DEFEITO SENSOR RECIPIENTE (se o sensor não estiver corretamente conetado ou danificado) (se o sensor entrar em curto-circuito ou danificado)	Er Er	05 06
5	REENXAGÜE (Não enchimento da caldera)	Er	09
6	BOILER (Avaria da resistência do aquecedor de água) (Tempo excessivo de aquecimento)	Er	03

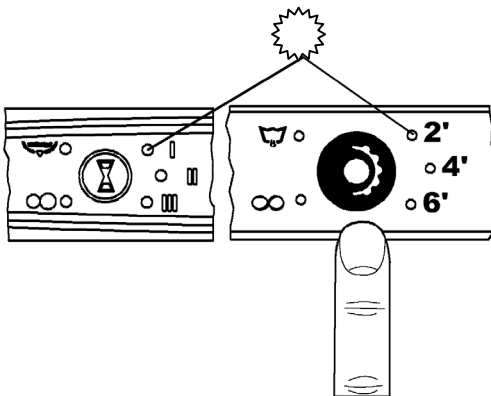
1



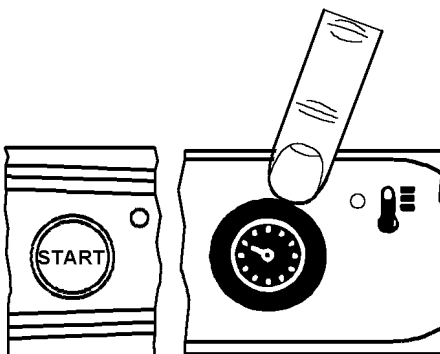
2



3



4



CAP.4 UTILIZAÇÃO DA MÁQUINA

4.1 DESCRIÇÃO DOS COMANDOS

1. Para ligar a máquina, pressionar a tecla indicada ao lado (a espia correspondente ilumina-se).

2. Quando a luz estiver acesa a máquina está pronta para uso. (Vermelho = em aquecimento).

Pressionar a tecla indicada ao lado para seleccionar o ciclo indicada.

I (2') **II (4')** **III (6')**

Ciclo breve

Ciclo médio

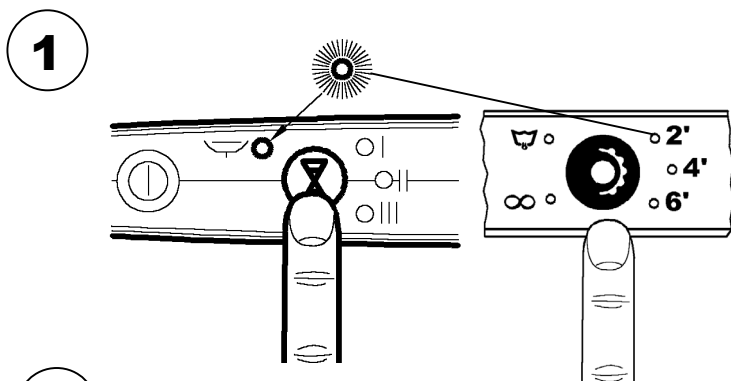
Ciclo longo

A luz acende-se em correspondência do tempo seleccionado.

Observação: escolher o programa "∞" para efetuar lavagens prolongadas.

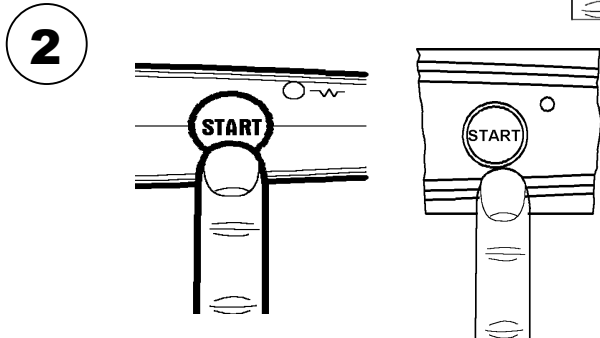
4. Feche a porta e carregue no botão indicado ao lado, a máquina entra automaticamente em funcionamento. Para as lavagens sucessivas carregue de novo no botão .

Atenção: Para interromper a lavagem do programa "∞" apertar o botão (para efetuar novos programas de lavagem repetir a seqüência nº 3).

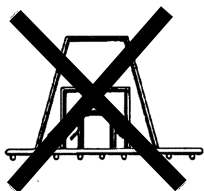


4.1.1 Descarga automática da água no tanque (opcional).

1. Pressionar a tecla indicada ao lado e seleccionar o programa de descarga (a espia correspondente acende-se)



2. Pressionar a tecla indicada ao lado e a máquina realiza automaticamente a descarga da água no tanque.

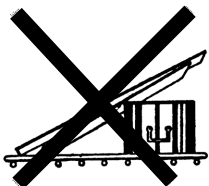


OK!



- De acordo com as instruções do fabricante, introduzir a quantidade prevista de detergente no tanque de lavagem.

- detergente deve ser de tipo industrial, de espuma freada.

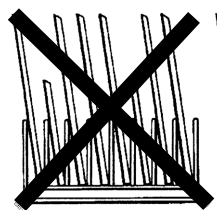


OK!

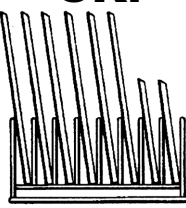


- Não mergulhar as mãos nuas lixívia de lavagem, posicionar as xícaras e os copos virados de cabeça para baixo nas cestas. Inserir os pratos na cesta própria equipada com dedos de suporte com a superfície interna virada para cima.

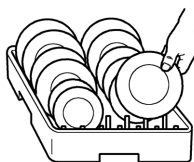
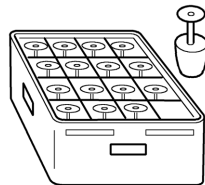
- Colocar os talheres e as colherinhas de café com os cabos virados para baixo.



OK!

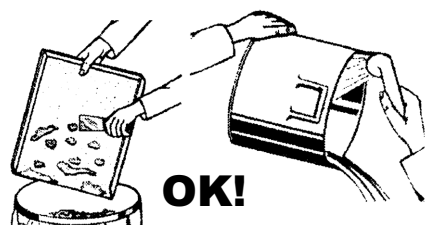


- Utilizar as cestas especificamente criadas para os diversos tipos de louças (pratos, copo, xícaras, talheres, etc.) Para economizar detergente e energia eléctrica, lavar somente cestas completas, sem contudo sobrecarregá-las. Evitar toda sobreposição de louças e talheres.

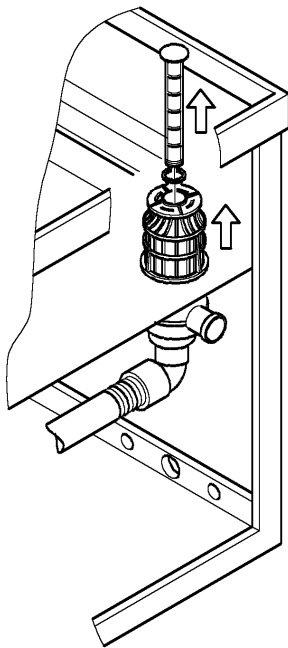
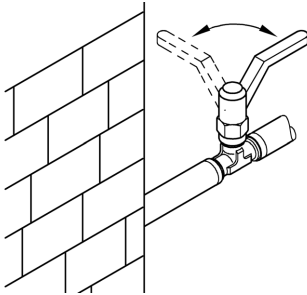
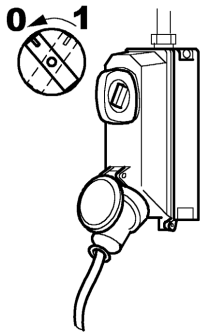


Com o objetivo de reduzir ao mínimo a manutenção, **RECOMENDAMOS UMA LIMPEZA PREVIA** de louças e talheres. A eliminação dos restos de comida, cascas de limão, palitos, caroços de azeitona, etc., que poderiam obstruir parcialmente o filtro da eletrobomba, reduzindo a eficácia da lavagem, melhorará de maneira substancial a qualidade do resultado final.

E aconselhável lavar louças e talheres antes que os restos de comida possam secar sobre as suas superfícies. No caso de sujeira endurecida, será conveniente deixar louças e talheres de molho antes de introduzi-los na máquina.



4.3 OPERAÇÕES DE FIM SERVIÇO



- Desligue a máquina
- Abra a porta e extraia o cesto com a louça limpa.
- Descarregue a água do tanque levantando o demasiado-cheio. No modelo com bomba de descarga, respeite as operações descritas no parágrafo «Instruções de uso».
- Desligue o interruptor geral a montante da aparelhagem. Feche a válvula de comporta da conexão hidráulica.
- Tire os filtros e limpe-os com uma escovinha de nylon sob um jacto de água.
- Não deixe cair no interior do tanque os sobras de sujo depositados no fundo do filtro bomba descarga. Limpe o tanque com pressão moderada de água. Limpe as paredes exteriores quando estão frias, com produtos não abrasivos feitos expressamente para a manutenção do aço.

NOTA: Não limpe o aparelho com jactos directos de água ou com alta pressão, como eventuais infiltrações nos elementos eléctricos podem comprometer o regular funcionamento do aparelho e de cada dispositivo de segurança, com decadência da garantia.

CAP.5 MANUTENÇÃO

5.1 REGRAS GERAIS

A máquinas são projectadas para reduzir ao mínimo as exigências de manutenção. As seguintes regras devem ser respeitadas minuciosamente para garantir uma longa duração e um funcionamento sem danos.

De qualquer maneira devem ser respeitadas as seguintes regras gerais para manter a máquina em perfeito ordem:

- a máquina deve estar limpa e em ordem
- as reparações urgentes ou provisórias não devem tornar-se habituais

É muito importante o respeito das regras de manutenção periódica: todos os órgãos da máquina devem ser periodicamente controlados para evitar eventuais anomalias, antecipando assim os tempos e os meios necessários para a eventual intervenção de manutenção.

Antes de efectuar as operações de limpeza, desligue a alimentação eléctrica da máquina.

5.2 MANUTENÇÃO PERIODICA (deve ser feita no mínimo cada 20 dias)

Para facilitar as seguintes operações, tire do seu lugar o tear porta-cestos.

- Desmonte os braços de enxaguadura superior e inferior, desatarraxando o fecho de fixação.
 - Desatarraxar e limpar todos os borrifadores e tornar a montá-los no seu devido lugar.
 - Desmonte os braços de lavagem superior e inferior, desatarraxando o perno de enxaguadura limpe-os e enxague-os.
 - Tirar o filtro da bomba de lavagem. Limpá-lo e enxaguá-lo.
 - Limpar, agora, com muito esmero o tanque de lavagem.
 - Deixar a capota do aparelho aberta durante todo o periodo de descanso.
 - Devido aos sais de cálcio e de magnésio presentes na água, depois de certo periodo de funcionamento, que varia em função da dureza da água, sobre as superfícies internas do tanque do aquecedor e dos tubos forma-se uma incrustação calcária que pode prejudicar o bom funcionamento do aparelho.
-

- Torna-se, portanto, indispensável a desincrustação periódica dessas peças, a ser executada por pessoal tecnicamente qualificado.
- Caso o aparelho tenha que ficar parado por longo período, lubrificar as superfícies de aço com óleo de vaselina ..
- Caso houver o risco de formação de gelo, fazer descarregar a água do aquecedor e da bomba de lavagem por pessoal qualificado.
- **No caso de mau funcionamento ou de defeitos, dirigir-se exclusivamente a um centro de assistência técnica autorizado pelo construtor do aparelho ou pelo seu concessionário.**



CAP.6 DESMANTELAMENTO

6.1 DESMANTELAMENTO DA MÁQUINA

Nas nossas máquinas não há materiais que requerem processos especiais de escoamento.

INHOUD

HFDST. 1 VOORWOORD	75
HFDST. 2 INSTALLATIE.....	75
2.1 DE MACHINE VERPLAATSEN EN UITPAKKEN	75
2.2 ELEKTRISCHE AANSLUITING	76
2.3 HYDRAULISCHE AANSLUITING	76
2.4 AANSLUITING OP DE AFVOERLEIDING.....	77
2.5 REGULERINGEN EN CONTROLES	77
2.6 DOSEERSYSTEEM.....	77
2.7 WASMIDDEL	78
HDFST.3 AANBEVELINGEN	78
3.1 OVERIGE RISICO'S	78
3.2 VEILIGHEIDSMEECHANISMEN.....	79
HDFST.4 DE MACHINE GEBRUIKEN	80
4.1 BESCHRIJVING VAN DE BEDIENINGEN	80
4.2 GEBRUIK VAN DE MACHINE.....	81
4.3 NA HET WASSEN	82
HDFST. 5 ONDERHOUD	83
5.1 ALGEMENE REGELS.....	83
5.2 PERIODIEK ONDERHOUD (ten minste uit te voeren om de 20 dagen)	83
HDFST. 6 ONTMANTELING	84
6.1 ONTMANTELING VAN DE MACHINE	84

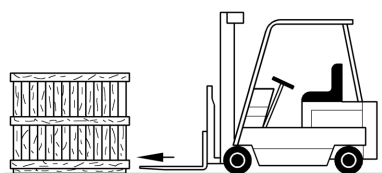
Hfdst. 1 VOORWOORD

In deze handleiding worden belangrijke aanwijzingen ten aanzien van de veiligheid tijdens de installatie, het gebruik en het onderhoud vermeld.

De gebruiker heeft de plicht om deze handleiding aandachtig te lezen alvorens de machine te verplaatsen, te installeren, te gebruiken, te onderhouden of buiten dienst te stellen; het is dan ook noodzakelijk om deze handleiding goed te bewaren zodat hij ook na verloop van tijd nog intact is door hem op een veilige plaats neer te leggen en voor veelvuldige raadpleging eventuele kopieën te gebruiken.

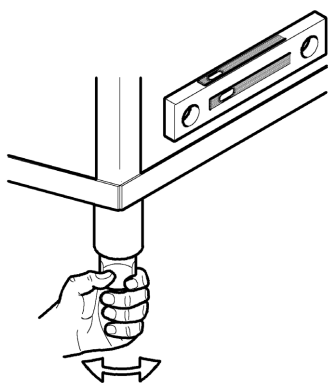
Hfdst. 2 INSTALLATIE

2.1 DE MACHINE VERPLAATSEN EN UITPAKKEN



- De machine moet uiterst voorzichtig met een vorkheftruck worden verplaatst.
- Controleer of de machine intact is. Is er sprake van zichtbare schade, dan moet de verkoper en de transporteur die de machine heeft vervoerd hier onmiddellijk van op de hoogte worden gesteld. Bij twijfel mag de machine niet in gebruik worden genomen zolang de machine niet is gecontroleerd door gespecialiseerd personeel.
- Verplaats de machine naar de plaats waar de machine geïnstalleerd moet worden en ontdoe de machine van de verpakking.

Het verpakkingsmateriaal (plastic zakken, schuimplastic, spijkers enz.) mag niet binnen bereik van kinderen worden gelaten, omdat dit een mogelijk bron van gevaar vormt.

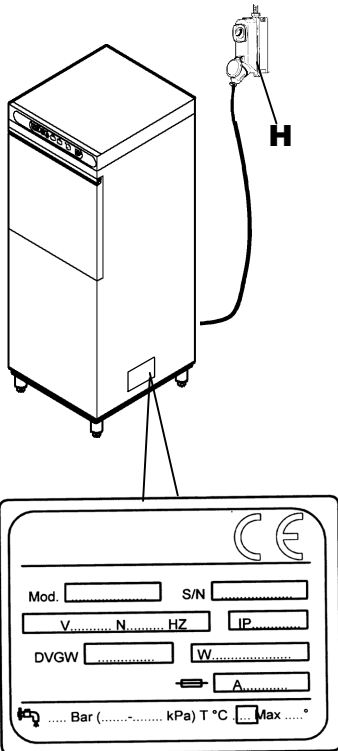


- De machine mag uitsluitend in overeenstemming met de aanwijzingen van de constructeur geïnstalleerd worden en dit uitsluitend door vakkundig gekwalificeerd personeel gedaan worden.
- Dit apparaat is alleen geschikt voor vaste aansluiting.
- Zet de machine door middel van de schroefpoten waterpas.
- De vloer moet berekend zijn op het totaal gewicht van de machine.
- Houd de aanwijzingen die op het aansluitschema van de machine staan vermeld aan en breng in het waslokaal de elektrische aansluiting en de aansluiting van de watertoevoer- en afvoerleiding tot stand.



2.2

ELEKTRISCHE AANSLUITING



1. De aansluiting op het elektriciteitsnet moet tot stand gebracht worden met een hoofdschakelaar (H) Dit moet een veelpolige magnetothermische schakelaar zijn die alle contacten inclusief de nulleiding verbreekt, met een afstand tussen de open contacten van minstens 3 mm, die voor de veiligheid springt of die gekoppeld is aan zekeringen, die bemeten en afgesteld moeten zijn met het oog op het maximum vermogen dat op de machine staat vermeld (zie machineplaat).
2. Er dient nagegaan te worden dat de spanning en de frequentie van het elektriciteitsnet overeenstemmen met de gegevens die op de machineplaat staan waar de technische gegevens van de machine op staan die aan de rechterkant van de machine is aangebracht.
3. Een deugdelijke aarding zoals vereist door de geldende veiligheidsvoorschriften is een garantie voor de veiligheid van de gebruiker en het apparaat.
4. Het gebruik van verloopstekkers, meervoudige stopcontacten en verlengsnoeren is absoluut verboden.
5. Het apparaat moet bovendien op een potentiaalvereffeningssysteem worden aangesloten; de aansluiting op een dergelijk systeem wordt tot stand gebracht door middel van een schroef waar het symbool op staat. De potentiaalvereffeningsleiding moet een doorsnede van 10 mm² hebben.



De voedingskabel die bij de levering van de machine is inbegrepen mag alleen door een kabel worden vervangen die dezelfde doorsnede heeft en die van type H07RN-F is.

Raadpleeg voor nadere informatie het bijgevoegde elektrische aansluitschema.

2.3 HYDRAULISCHE AANSLUITING

Breng het vertrek in gereedheid zoals aangegeven op bijgevoegd hydraulisch aansluitschema.

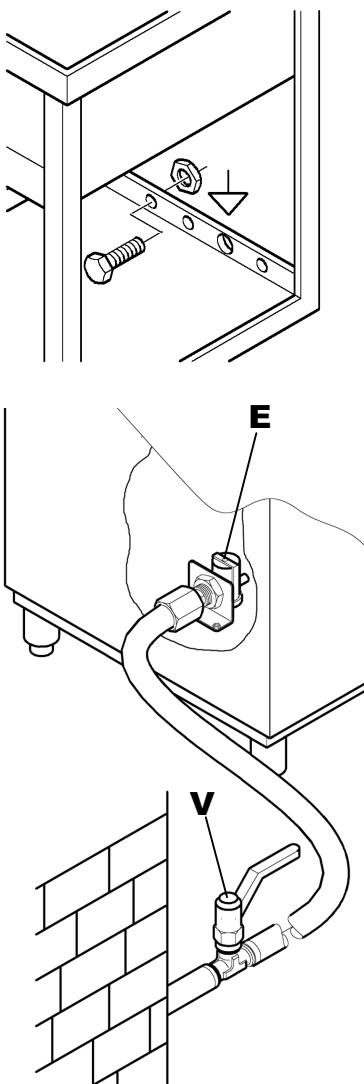
Controleer alvorens het apparaat aan te sluiten of er tussen de watertoevoerleiding en het apparaat een schuifklep is geplaatst die in staat is om de watertoevoerleiding indien nodig of in geval van reparaties snel en volledig af te sluiten.

Sluit de toevoerelektromagneetklep (**E**) aan op de schuifklep (**V**) en controleer of het toevoerdebiet niet minder bedraagt dan 20 l/min.

Ga na dat de temperatuur en de druk van het toevoerwater overeenstemt met de gegevens die op de plaat staan vermeld waar de technische gegevens van de machine op staan.

Mocht de hardheid van het water groter zijn dan de in de tabel vermelde gegevens, dan verdient het aanbeveling om vóór de toevoerelektromagneetklep van de machine een waterontharder te installeren.

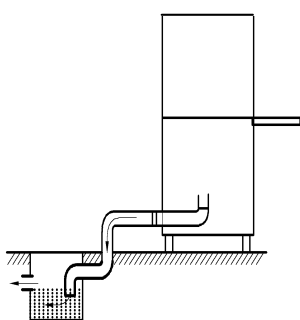
In geval van hoge concentraties van minerale resten in het water of hoge geleidingscapaciteit wordt geadviseerd een demineralisatie-installatie te installeren, afgesteld op een resthardheid zoals aangegeven in onderstaande tabel.



	Eigenschappen		van	tot
Hardheid	Franse hardheidsgraden	f	5	10
	Duitse hardheidsgraden	°dH	4	7'5
	Engelse hardheidsgraden	°e	5	9,5
Resterende mineralen	Parts per million	ppm	70	140
	Maximum	mg/l	300/400	



2.4 AANSLUITING OP DE AFVOERLEIDING



Het legen van de kuip gebeurt door middel van zwaartekracht, de afvoer moet daarom op een lager niveau dan de onderkant van de machine worden geplaatst.

Het afvoerkoppelstuk moet door middel van een flexibele slang op een putje of een bak met sifon die in de vloer is aangebracht worden aangesloten.

De afmetingen van de afvoer van de machine staan vermeld op het installatieschema van de machine.

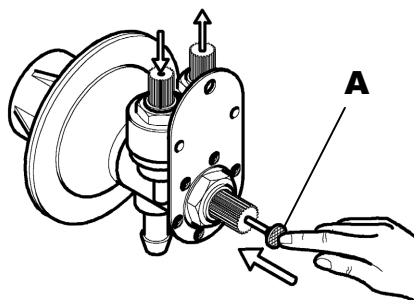


2.5 REGULERINGEN EN CONTROLES



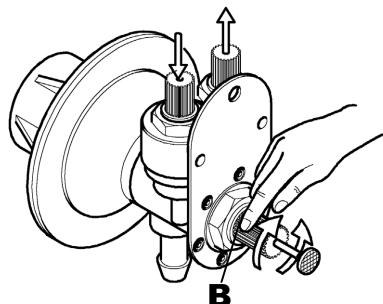
De temperatuur van de waskuip is gereguleerd door een vaste thermostaat op ongeveer 55° C. Deze temperatuur begunstigt het juiste gebruik van de chemische eigenschappen van de wasmiddelen voor industriële vaatwas.

De temperatuur van de boiler, gereguleerd door een vaste thermostaat is ongeveer 85° C.



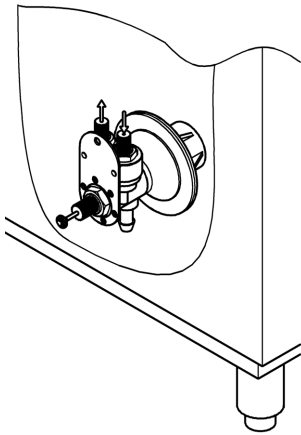
2.6 DOSEERSYSTEEM

Alvorens de afstelling te verrichten moeten het doseersysteem en de betreffende toevoerslang gevuld worden door middel van de vulknop (A). Om de afstelling te verrichten moet aan de wartel (B) die in het midden van het doseersysteem is aangebracht worden gedraaid, door met de wijzers van de klok mee te draaien (rechtsom) of tegen de wijzers van de klok in te draaien (linksom) zal de verstrekte hoeveelheid respectievelijk verminderen of vermeerderen.



De doseerder moet niet droog werken of blijven.

Een buitensporige dosis glansmiddel veroorzaakt blauwachtige strepen op het vaatwerk en geeft aanleiding tot de vorming van schuim in de waskuip.



Vaatwerk dat bedekt is met waterdruppels en dat langzaam droogt, geeft aan dat de hoeveelheid glansmiddel daaren tegen onvoldoende is.

7 cm buis = 1 g product



2.7 WASMIDDEL

Apparaat zonder doseersysteem van het wasmiddel

Giet het wasmiddel in de kuip en houd daarbij de door de fabrikant geadviseerde dosering aan. Deze hoeveelheid kan al naar gelang het type wasmiddel van 2 tot 4 g/liter water in de kuip verschillen. Het wasmiddel moet circa na elke **5** wasprogramma's in de door de fabrikant van het wasmiddel geadviseerde dosering bijgevuld worden.

De hierboven aangegeven hoeveelheden gelden bij een gemiddelde hardheid van het water van **10-20°F** (Franse hardheidsgraden).

Machine met wasmiddel doseerder

Afstellingen:

Door aan de regelaar (**A**) te draaien wordt dus de aan-/uit tijd en dus de hoeveelheid wasmiddel bepaald.

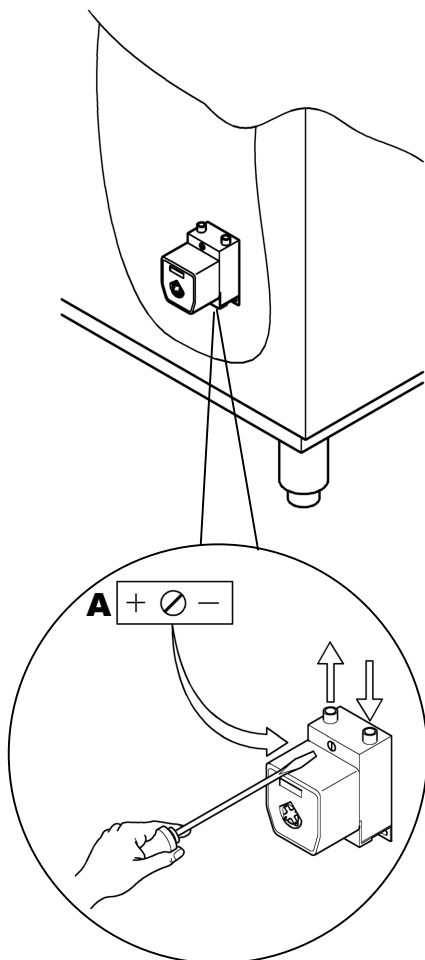
- Door de regelaar met de wijzers van de klok mee te draaien (rechtson) of tegen de wijzers van de klok in te draaien (linkson) zal de verstrekte hoeveelheid respectievelijk verminderen of vermeerderen.
- Om de afstelling te voltooien moet het resultaat van enkele wasprogramma's worden bekeken.



LET OP!

De bak mag nooit helemaal leeg raken en ook niet bijgevuld worden met corrosieve of onzuivere produkten.

De garantie dekt geen schade die te wijten is aan verkeerd gebruik van het doseersysteem.



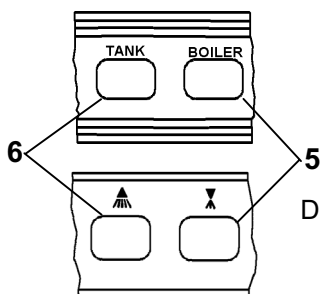
HFDST .3 AANBEVELINGEN



3.1 OVERIGE RISICO'S

- Open de deur van de machine niet snel als het programma nog bezig is.
- Dompel nooit uw blote handen in de wasoplossing.
- Verwijder nooit de machinepanelen indien er niet eerst voor gezorgd is dat de machine losgekoppeld is van het stroomopwaartse voedingsnet.
- Het gespecialiseerde personeel dat de installatie en de elektrische aansluiting uitvoert is gehouden om de gebruiker goed over de werking van het apparaat en de eventueel in acht te nemen veiligheidsvoorschriften te informeren.

- De installateur moet de gebruiker bovendien praktijkdemonstraties geven over de wijze van gebruik en de betreffende schriftelijke aanwijzingen die bij het apparaat worden verstrekt aan de gebruiker overhandigen.
- **Dit apparaat mag uitsluitend voor de doeleinden worden gebruikt waarvoor het uitdrukkelijk is ontwikkeld. Elk ander gebruik dient als oneigenlijk en dus als gevaarlijk te worden beschouwd.**
- De machine mag niet door personeel worden gebruikt dat niet getraind is.
- Gebruik de machine nooit zonder de beveiligingen (microschakelaars, panelen e.d.) die door de constructeur zijn aangebracht.
- Gebruik de machine nooit om voorwerpen te wassen waarvan de vormen, afmetingen of materialen niet in overeenstemming zijn met de aanwijzingen van de constructeur.
- Eventuele reparaties van de machine mogen uitsluitend door het constructiebedrijf of door een bevoegd servicecentrum worden uitgevoerd waarbij uitsluitend originele reserveonderdelen mogen worden gebruikt.
- Door het niet in acht nemen van het bovenstaande kan de veiligheid van het apparaat in gevaar worden gebracht.
- Als de machine niet wordt gebruikt mag de machine niet onder spanning blijven staan.
- Houd geen magnetische voorwerpen dicht bij de machine.
- Gebruik de machine niet zonder filters in het bad.

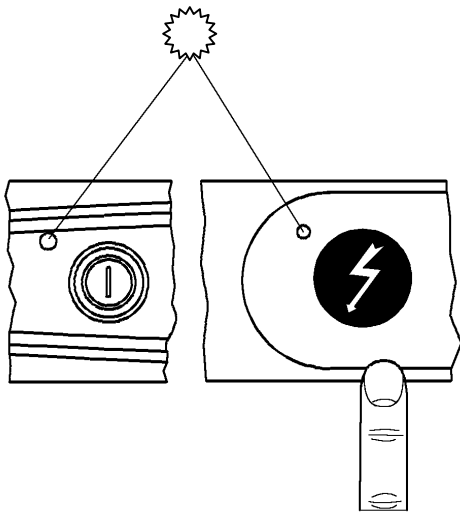


3.2 VEILIGHEIDSMEECHANISMEN

Storingen maakt u op uit de boodschappen op het display (5 en 6) en uit het feit dat de machine stopt tijdens het draaien, maar alleen in de gevallen (1 en 3) die hierna worden bescreven. **OPGELET!** Het uitzetten en vervolgens weer aanzetten van de machine, "reset" de waarschuwing die opnieuw zal verschijnen als het probleem nog niet is opgelost.

		Boodschap op het display	
	STORING:	Kuip (6) ▲	Boiler (5) ▼
1	TE WEINIG OF TE VEEL WATER IN DE KUIP (als na verloop van ≥ 10 min. het juiste peil in kuip niet is bereikt)	Er	04
2	SENSOREN BOILER DEFECT (als de sensor niet goed is aangesloten of beschadigd is) (bij kortsluiting of defect)	Er Er	07 08
3	OVERVERHITTING (Oververhitting van boiler en kuip) (schakeling veiligheidsthermostaat)	HI SA	HI FE
4	SENSOREN KUIP DEFECT (als de sensor niet goed is aangesloten of beschadigd is) (bij kortsluiting of defect)	Er Er	05 06
5	SPOELEN (Uitgebleven vullen van de boiler)	Er	09
6	BOILER (Defect van de weerstand Boiler) (Te lange opwarmtijd)	Er	03

1

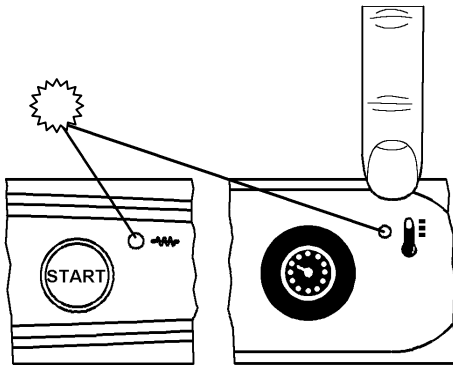


4.1

HFDST. 4 DE MACHINE GEBRUIKEN BESCHRIJVING VAN DE BEDIENINGEN

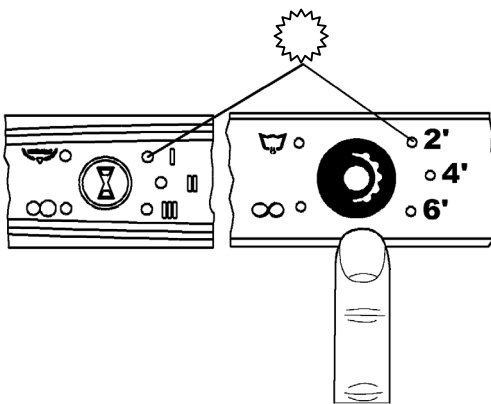
1. Druk op de aangegeven knop aan de zijkant om de machine in te schakelen (het betreffende controlelampje gaat branden).

2



2. Zodra de lichtindicator brandt, is de machine klaar voor gebruik. (Rood = Bezigt met opwarmen).

3



3. Druk op de aangegeven knop aan de zijkant om de cyclus te programmeren

I (2') II (4') III (6')

Kort wasprogramma

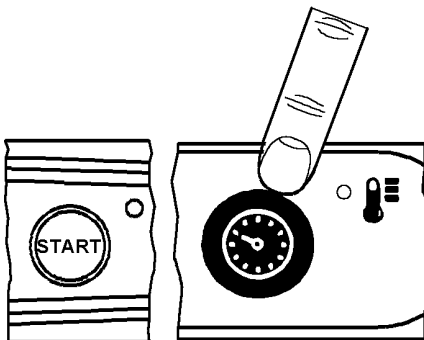
Normal
wasprogramma

Lang wasprogramma

Het lampje gaat in overeenstemming met de gekozen tijd aan.

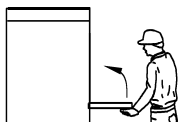
Opmerking: selecteer het programma "∞" voor langdurig wassen.

4

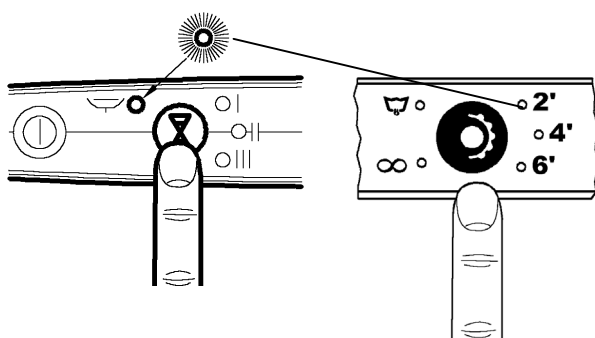


4. Sluit de deur en druk op de knop die op de zijkant is aangegeven, de machine start automatisch. Voor daaropvolgende wasprogramma's, opnieuw op de knop drukken.

Opmerking: Om het wasprogramma "∞" te onderbreken, drukt u deze toets in (om een nieuw programma te kiezen herhaalt u stap 3).



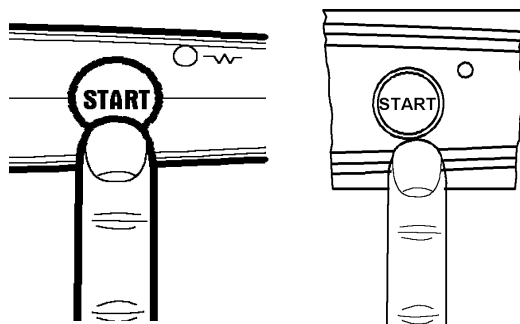
1



4.1.1 Automatische afvoer van het water in de kuip (optie)

1. Druk op de aangegeven knop aan de zijkant en kies het afvoerprogramma (het betreffende controlelampje gaat branden).

2



2. Druk op de aangegeven knop aan de zijkant. De machine voert het water in de kuip automatisch af.

4.2 GEBRUIK VAN DE MACHINE

- De instructies van de fabrikant opvolgen en de vereiste hoeveelheid wasmiddel in de waskuip inbrengen.

- Het wasmiddel moet van industrieel soort zijn, dat schuimremmend is.

- Niet blote handen in de wasmiddel oplossing dompelen, de kopjes en de glazen omgekeerd in de manden plaatsen. De borden in de geschikte mand met steunarmpjes met het binnen oppervlak naar boven gekeerd zetten.

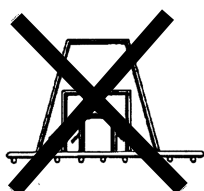
- Het bestek en de theelepeltjes met het handvat naar beneden gekeerd plaatsen.

- Niet zilver-en roestvrij staal bestek in dezelfde bestekmanden plaatsen. Het zou bruine vlekken op het zilver en waarschijnlijk corrosie van het roestvrije staal veroorzaken.

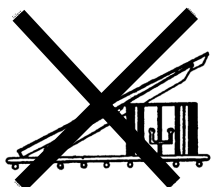
- Voor een ander type vaatwerk (borden, glazen, kopjes, bestek etc.) de specifiek gemaakte manden gebruiken. Om wasmiddel en elektrische energie te besparen, alleen volle manden wassen, zonder deze over te beladen. Het opelkaar plaatsen van vaatwerk vermijden.

Om het onderhoud tot het minimum te beperken, **BEVELEN WIJ AAN EEN VOORAFGAANDE SCHOONMAAK** van het vaatwerk. De verwijdering van etensresten, citroenschillen, tandenstokers, olijfpitten enz die het filter van de elektropomp zouden kunnen verstopen en de doeltreffendheid van de was verminderen, zal de kwaliteit van het eindresultaat verbeteren.

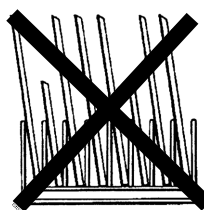
Het is aan te raden het vaatwerk eerst te wassen voordat de etensresten vastkoken op hun oppervlakten. In het geval van hard vuil, is het nuttig om het vaatwerk en het bestekte laten weken voor het in de machine te plaatsen.



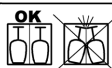
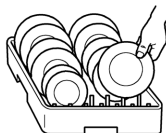
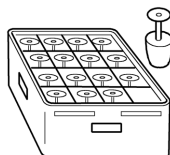
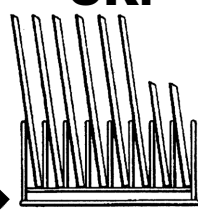
OK!



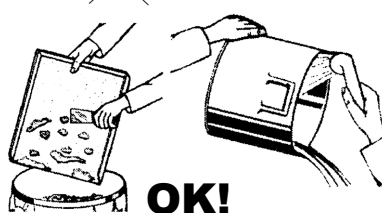
OK!

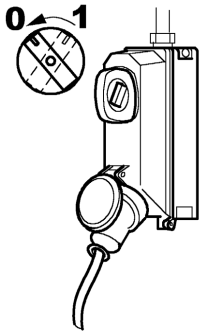


OK!



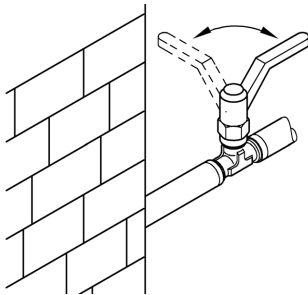
OK!



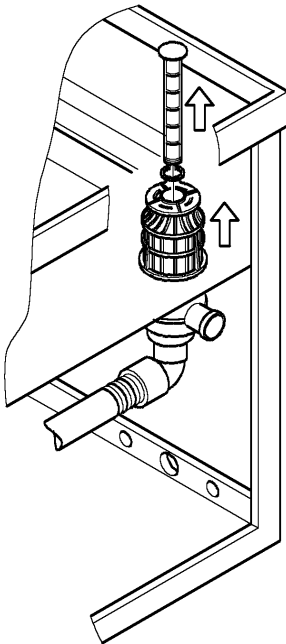


4.3 NA HET WASSEN

- Stroom afsluiten knop
- Open de deur en haal de mand met de schone was eruit.
- Water wegpompen door het stopje op te lichten, waar een pomp aanwezig is de instructies volgen in voorgaande paragraaf.



- De hoofdschakelaar uitzetten boven het apparaat.
- Het valdeurtje dichtmaken voor het water toevoer.
- De filters verwijderen en onder de kraan met een afwasborsteltje schoonmaken.



- Zorg dat het vuil van het filter niet op de bodem van de wasbak terecht komt. De wasbak met een zachte waterstraal schoonspoelen. De buitenkant schoonmaken als de machine afgekoeld is met een niet-schurend product voor roestvrij staal.

NOTA: De machine niet met direkte waterstralen of hoge druk schoonmaken omdat eventuele infiltraties in de elektrische onderdelen de normale werking van de machine en vande veiligheids systemen zouden kunnen benadelen, metals gevolg het verval van de garantie.

HDFST. 5 ONDERHOUD

5.1 ALGEMENE REGELS

De machine zijn ontworpen om de verijsten van onderhoud tot het minimum te beperken. De regels die volgen moeten in ieder geval gerespecteerd worden om een lange duur en een functionering zonder ongemakken te garanderen.

In ieder geval, moeten enkele algemene regels gerespecteerd worden om de machines in een perfecte staat te behouden:

- de machine schoon en in orde houden
- vermijden dat de voorlopige of nood reparaties frekvent worden

Da nauwkeurige in acht neming van de regels van periodiek onderhoud is heel belangrijk: alle onderdelen van de machine moeten regelmatig gecontroleerd worden om te vermijden dat zich eventuele afwijkingen presenteren en zo de noodzakelijke tijd en middelen te voorzien voor een eventuele onderhouds ingreep.

Voordat men tot het schoonmaken overgaat de elektrsche voeding van de machine.

5.2 PERIODIEK ONDERHOUD (ten minste uit te voeren om de 20 dagen)

Om de volgende handelingen makkelijker te maken kunt u het rek, waar de mand op steunt, verwijderen.

- De spoelarmen boven en onder, de monteren door de schroefknop af te draaien.
 - Alle sproeiers (5) los draaien en schoonmaken en terug plaatsen.
 - Nu de boven en onder wasarmen losmaken door de "spoel pin" los te schroeven schoonmaken en afspoelen.
 - Het filter van de waspomp verwijderen. schoonmaken en spoelen.
 - Versvolgens de waskuip met zorg schoonmaken.
 - De kap van de machine open laten staan al de tijd dat de machine niet gebruikt wordt.
 - Ten gevolge van de aanwezigheid van kalk en magnesium in het water, vormt zich, na een bepaalde tijd van werking. Een kalk incrustatie, dat varieert naar gelang de hardheid van het water, op de binnenste oppervlakten van de kuip van de boiler en van de buizen, dat de goede werking van de machine kan benadelen.
-

- Men moet in dat geval tijdelijk de machine ontkalken. Wij raden aan dat door technisch gekwalificeerd personeel te laten uitvoeren.
- Wanneer de machine voor lange tijd buiten werking zou blijven, moet men de opeervlakten in roestvrij staal met vaseline olie oliën.
- In geval van gevaar van ijsvorming, het water uit de boiler en uit de waspomp door technisch personeel laten afvoeren.
- **In geval van slechte werking of beschadigingen, zich uitsluitend tot een service centrum wenden, geautoriseerd door de constructeur van de machine of door zijn concessionair.**



HDFST. 6 ONTMANTELING

6.1 ONTMANTELING VAN DE MACHINE

Op onze machines bevinden zich geen materialen die bijzondere procedures van vernietiging vereisen.

INDHOLDSFORTEGNELSE

KAP.1 INDLEDNING	87
KAP.2 INSTALLATION	87
2.1 FLYTNING OG FJERNELSE AF EMBALLAGE.....	87
2.2 TILSLUTNING TIL STRØMFORSYNING	88
2.3 TILSLUTNING TIL VANDFORSYNING	88
2.4 TILSLUTNING TIL AFLØB.....	89
2.5 REGULERINGER OG KONTROLLER	89
2.6 SKINNEMIDDELSDOSERINGSINDRETNING	89
2.7 OPVASKEMIDDEL	90
KAP.3 SIKKERHEDSPÅBUD	90
3.1 TILBAGEVÆRENDE RISICI OG ADVARSLER	90
3.2 SIKKERHEDSANORDNINGER.....	91
KAP.4 ANVENDELSE AF MASKINEN	92
4.1 BESKRIVELSE AF STYREANORDNINGERNE.....	92
4.2 MASKINENS BRUG.....	93
4.3 VED ENDT OPVASK	94
KAP.5 VEDLIGEHOLDELSE.....	95
5.1 GENERELLE REGLER.....	95
5.2 PERIODISK VEDLIGEHOLDELSE (SKAL GENNEMFØRES MINDST HVER 20. DAG) ..	95
KAP.6 NEDTAGNING	96
6.1 NEDTAGNING AF MASKINEN.....	96

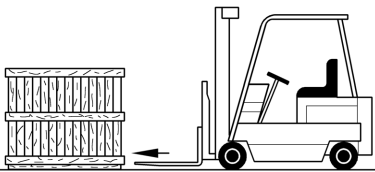
KAP. 1 INDLEDNING

Forskrifterne i denne manual giver vigtige oplysninger med hensyn til sikkerhed i forbindelse med installation, brug og vedligeholdelse.

Personalet har pligt til at læse denne manual inden flytning, installation, brug, vedligeholdelse eller bortskaffelse af denne maskine. Det er derfor nødvendigt at opbevare manualen på et sikkert sted med henblik på senere brug. Fotokopier eventuelt manualen, så der findes eksemplarer til den daglige brug.

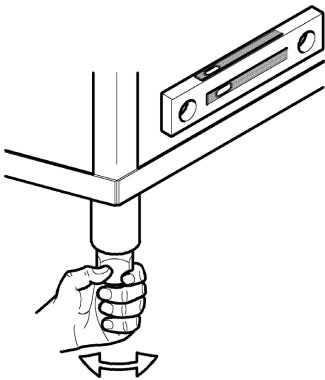
KAP. 2 INSTALLATION

2.1 FLYTNING OG FJERNELSE AF EMBALLAGE



- Maskinen skal flyttes forsigtigt ved hjælp af en gaffeltruck.
- Kontrollér, at maskinen ikke er beskadiget. I tilfælde af synlige skader skal sælgeren og speditøren straks underrettes herom. I tvivlstilfælde må maskinen ikke anvendes, før den er blevet kontrolleret af specialuddannet personale.
- Anbring maskinen på installationsstedet og fjern emballagen.

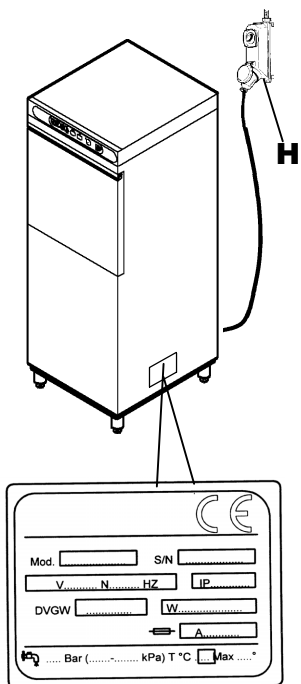
Emballagen (plastposer, skumplast, søm osv.) skal opbevares utilgængeligt for børn, idet disse dele udgør en potentiel fare.



- Installationen skal finde sted i overensstemmelse med anvisningerne fra producenten. Installationen skal udføres af kvalificeret personale.
- Denne maskine er kun egnet til permanent tilslutning.
- Anbring maskinen og niveller den ved hjælp af fødderne.
- Ved udformning af underlaget skal der tages højde for maskinens samlede vægt.
- Følg anvisningerne på installationsskemaet for maskinen og forbered strøm- og vandforsyningen samt afløbet i lokalet, hvor opvaskemaskinen skal installeres.



2.2 TILSLUTNING TIL STRØMFORSYNING



1. Tilslutningen til strømforsyningen skal ske ved hjælp af en hovedafbryder (H). Afbryderen skal være alpolet og skal afbryde samtlige kontakter inkl. nullederen. Afbryderen skal have en indbyrdes kontaktafstand på min. 5 mm. Afbryderen skal endvidere være forsynet med termomagnetisk sikkerhedsudløsning og sikringer, der tåler den maksimale mærkestrøm.
2. Kontrollér, at strømforsyningens spænding og frekvens svarer til angivelserne på skiltet med de tekniske specifikationer. Skiltet er anbragt på højre side af maskinen.
3. Installation af et effektivt jordsystem som foreskrevet af lovgivningen garanterer beskyttelse for både brugeren og maskinen.
4. Det er strengt forbudt at benytte adaptere, stikdåser og forlængerledninger.
5. Maskinen skal desuden forbindes med et system, der har samme spænding. Forbindelsen sker ved hjælp af en skrue, afmærket med en pil . Den ensartede spændigsleder skal have en sektion på 10 mm².



Det medleverede forsyningskabel må kun udskiftes med et andet kabel med tilsvarende tværsnit (type H07RN-F).

Vedrørende yderligere informationer henvises til det vedlagte elskema.

2.3 TILSLUTNING TIL VANDFORSYNING

Forbered installationslokalet i overensstemmelse med anvisningerne på hydraulikskemaet.

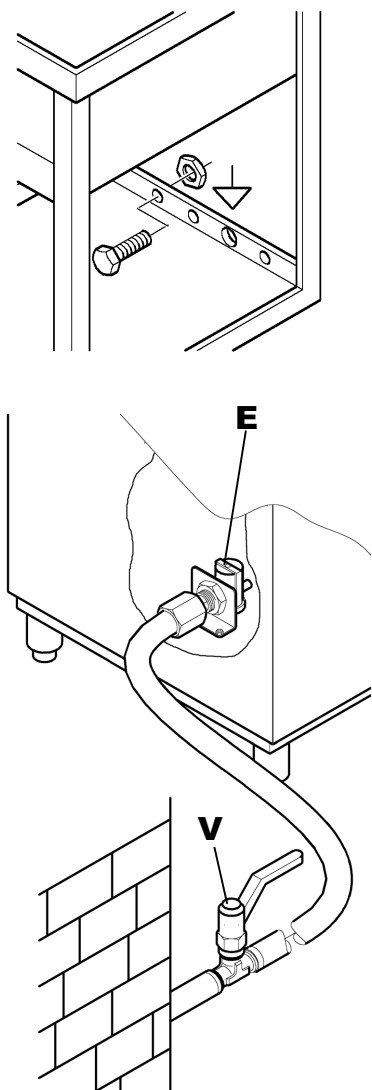
Kontrollér inden tilslutning af maskinen, at der er monteret en sluseventil mellem vandforsyningen og maskinen. Sluseventilen skal gøre det muligt at afbryde vandforsyningen i forbindelse med reparationer og i andre tilfælde, hvor det kan være nødvendigt at afbryde vandforsyningen.

Slut magnetventilen for vandtilførsel (**E**) til sluseventilen (**V**) ved hjælp af en slange. Kontrollér, at forsyningskapaciteten min. svarer til 20 l/min.

Kontrollér, at vandets temperatur og tryk svarer til angivelserne på skiltet med de tekniske specifikationer.

Hvis vandet er hårdere end angivelserne i nedenstående tabel, anbefales det at montere en afkalker før maskinens magnetventil for vandtilførsel.

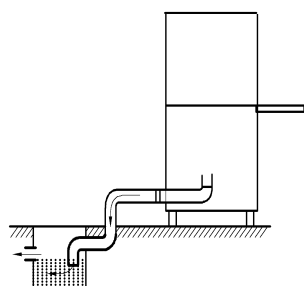
Hvis vandet indeholder kraftige koncentrationer af restminerale med høj konduktivitet, anbefales det at installere et afsaltningsanlæg, der indstilles til en resthårdhed i overensstemmelse med nedenstående tabel.



	Karakteristika		Min.	Maks.
Hårdhed	Franske grader	f	5	10
	Tyske grader	°dH	4	7'5
	Engelske grader	°e	5	9,5
	Dele pr. million	ppm	70	140
Restindhold af mineraler	Maksimum	mg/l	300/400	



2.4 TILSLUTNING TIL AFLØB



Tømning af karret sker som følge af tyngde. Dette er grunden til, at afløbet skal være anbragt lavere end maskinens sokkel.

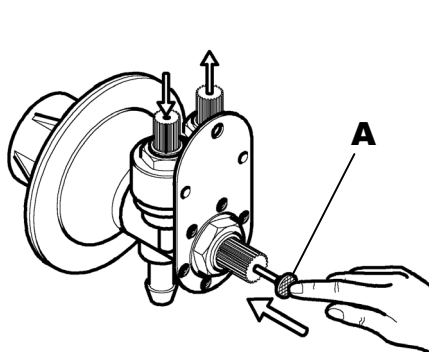
Dræningsforbindelsen skal sluttes til en kloak eller et gulvafløb med hævert ved hjælp af slangen.

Størrelsen for maskinens afløb fremgår af installationskemaet.

2.5 REGULERINGER OG KONTROLLER



Temperaturen i vaskekarret reguleres af en termostat med fast temperatur på ca. 55° C (134°F). Denne temperatur hjælper til med at udnytte vaskemidlerne, som anvendes industrielt og deres kemiske egenskaber på bedst mulige måde. Vandvarmerens temperatur reguleret af den faste termostat, er på ca. 85° C

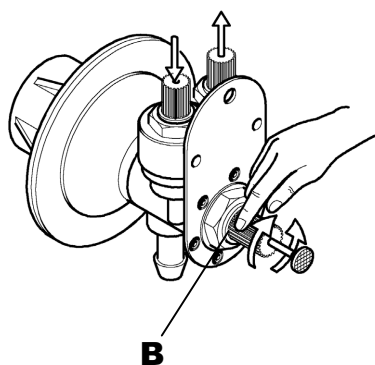


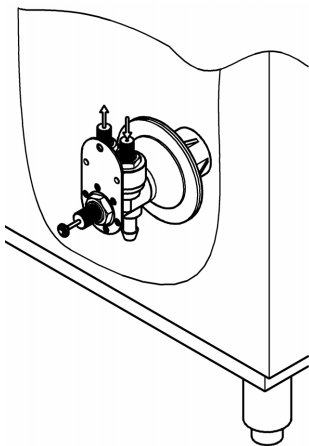
2.6 SKINNEMIDDELSDOSERINGSINDRETNING

Inden udførelse af justeringen skal dosatoren og den tilhørende forsyningslange fyldes ved hjælp af knappen (A) for spændning. Justeringen sker ved at dreje ringmøtrikken (B), der er anbragt midt på dosatoren. Ved at dreje ringmøtrikken med eller mod uret sker henholdsvis en reduktion eller forøgelse af den udsendte mængde afspændingsmiddel.

Dosatoren må aldrig, når den er i drift, løbe tør for klarskyllemidler.

Vaatwerk dat En overdreven dose klarskyllemiddel fremkalder blålige striber på servicet og giver anledning til dannelse af skum i vaskekarret.





Service dækket af vanddråber og med en langsom tørring betyder, at der er en utilstrækkelig mængde klarskyllemiddel.

7 cm. rør = 1 gr. produkt



2.7 OPVASKEMIDDEL

Maskine uden dosator til opvaskemiddel

Hæld opvaskemiddel i karret i overensstemmelse med doserne, der angives af producenten. Denne mængde kan variere fra 2-4 g pr. liter vand i karret afhængigt af den konkrete type opvaskemiddel. Opvaskemidlet skal påfyldes for ca. hver **5.** afvaskning i overensstemmelse med doserne, der angives af producenten.

Ovenstående mængder gælder med hensyn til en gennemsnitlig hårdhed i vandet på **10-20° F** (franske grader).

Maskine med vaskemiddeldosator

Justeringer

Ved hjælp af trimmeren (A) er det muligt at fastsætte tidsrummet for tænding/slukning og dermed mængden af rengøringsmiddel.

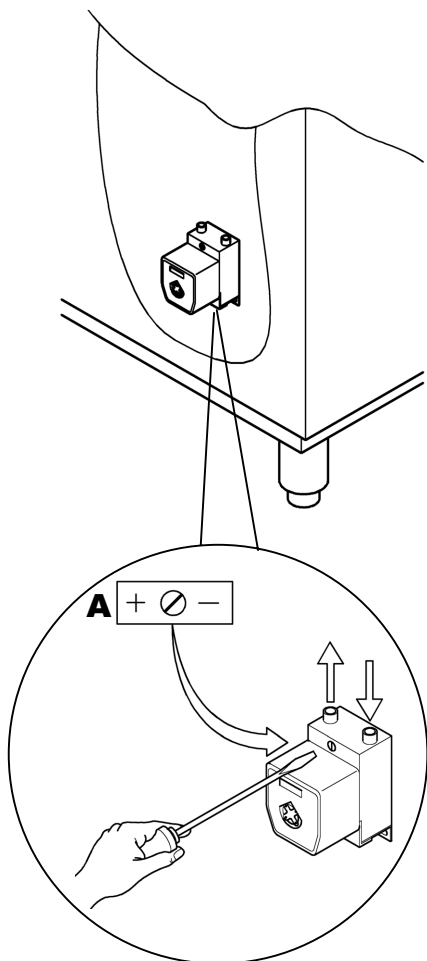
- Ved at dreje trimmeren med eller mod uret opnås henholdsvis en reduktion eller en forøgelse af den udsendte mængde rengøringsmiddel.
- Justeringen afsluttes ved vurdering af resultatet af et par afvaskninger.



ADVARSEL!

Niveauet i beholderen må aldrig reduceres, således at beholderen er tom eller efterfyldes med ætsende eller urene produkter.

Garantien dækker ikke skader, der opstår som følge af forkert brug af doseringsanordningen.



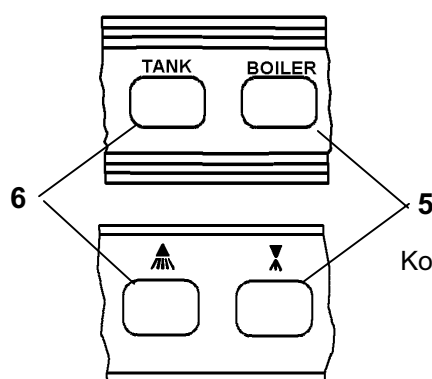
KAP.3 SIKKERHEDSPÅBUD



3.1 TILBAGEVÆRENDE RISICI OG ADVARSLER

- Åben aldrig døren med en hurtig bevægelse, hvis maskinen ikke har afsluttet sin cyklus.
- Put aldrig hænderne ubeskyttet ned i vaskeopløsningen.
- Fjern aldrig maskinens paneler uden forudgående frakobling af forsyningen før maskinen.
- Det specialiserede personale, der foretager installationen og den elektriske tilslutning, skal instruere brugeren omkring maskinens drift og de eventuelle sikkerhedsforanstaltninger, som skal overholdes.

- Installatøren skal desuden give brugeren en praktisk instruktion om maskinens brug og han skal efterlade de skriftlige instruktioner, som bliver leveret sammen med selve maskinen.
- **Dette apparat må kun anvendes til det formål, hvortil det udtrykkeligt er beregnet. Enhver anden brug må regnes for forkert og derfor farlig.**
- Maskinen bør ikke betjenes af uinstrueret personale.
- Benyt ALDRIG maskinen uden den beskyttelse (mikrokontakter, afskærmninger, etc.) konstruktøren har udstyret maskinen med, hvis ikke der er en kvalificeret tekniker til stede, som tager de nødvendige foranstaltninger.
- Benyt ALDRIG maskinen til at vaske genstande i en form, type, størrelse, eller materiale, der ikke stemmer overens med de af konstruktørens indikerede.
- En eventuel reparation af maskinen må kun udføres af konstruktionsfirmaet eller et autoriseret assistance center, og der må kun benyttes originale reservedele.
- Hvis disse normer ikke respekteres, kan maskinens sikkerhed ødelægges.
- Maskinen må ikke forblive under spænding, når den ikke anvendes.
- Sørg for at der ikke kommer magnetiske genstande i nærheden af maskinen.
- Undlad at anvende maskinen, hvis der ikke er nogen filtre i beholderen.





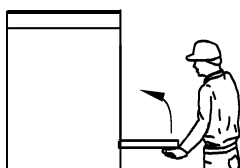
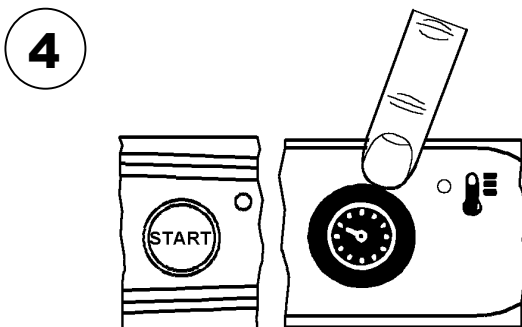
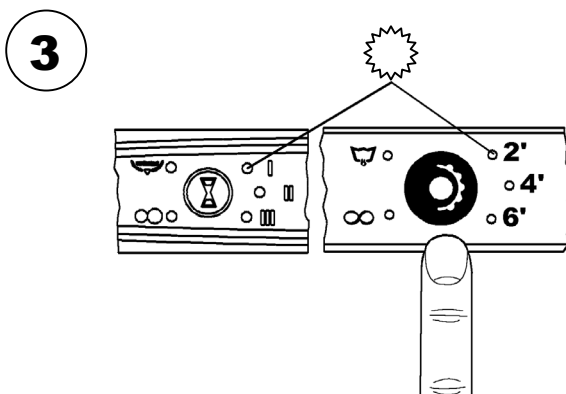
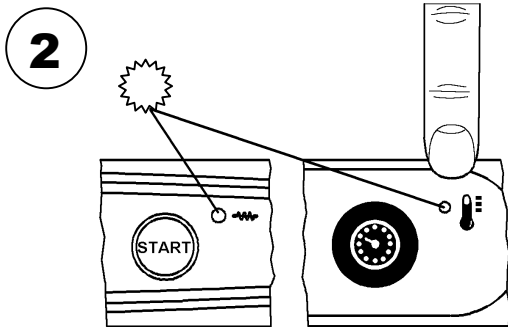
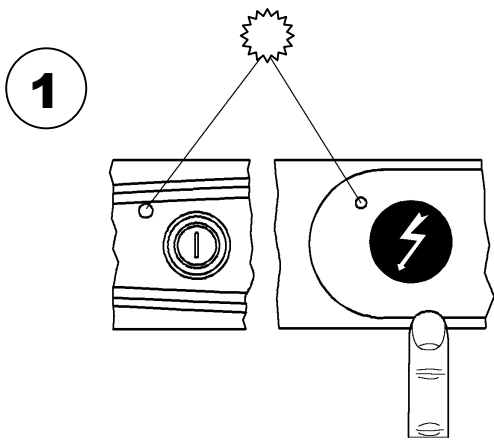
3.2 SIKKERHEDSANORDNINGER

Kortet er i stand til at konstatere adskillige forstyrrelser.

Eventuelle forstyrrelser vises ganske enkelt ved hjælp af beskederne på display (5 og 6) og afbrydelsen af de igangværende funktioner, dog udelukkende i de nedenfor angivne tilfælde (1 og 3). **GIV AGT!** Hvis maskinen slukkes og derefter tændes igen, "nulstilles" signalerne, som gentages på et senere tidspunkt, hvis problemet ikke er løst.

Besked visualiseret på skærmen

	KONSTATERET FORSTYRRELSE:	Kar (6) 	Koger (5) 
1	KARRET IKKE FYLDT MED VAND ELLER VANDET LØBET OVER (hvis vandstanden i karret ikke når det ønskede niveau i løbet af ≥ 10 min.)	E _r	04
2	KOGERENS SONDE DEFEKT (hvis sonden er forkert forbundet eller i stykker) (hvis sonden er kortslettet eller i stykker)	E _r E _r	07 08
3	OVEROPHEDNING (for høj temperatur i kogerens eller karret) (udløsning af termosikringen)	HI SA	HI FE
4	KARRETS SONDE DEFEKT (hvis sonden er forkert forbundet eller i stykker) (hvis sonden er kortslettet eller i stykker)	E _r E _r	05 06
5	SKYLNING (Manglende opfyldning af boileren)	E _r	09
6	KOGER (Fejl på Vandvarmerens modstand) (For lang opvarmningstid)	E _r	03



Kap. 4 Anvendelse af maskinen

4.1 Beskrivelse af styreanordningerne

1. Maskinen tændes ved at trykke på knappen angivet ved siden af (den tilsvarende signallampe tændes).

2. Når signallampen lyser, er maskinen klar til brug. (Rød = Opvarmning i gang)

3. Tryk på knappen angivet ved siden af for at vælge cyklussen.

I (2') **II (4')** **III (6')**

Kort vaske cyklus

Mellem-lang vaske
cyklus

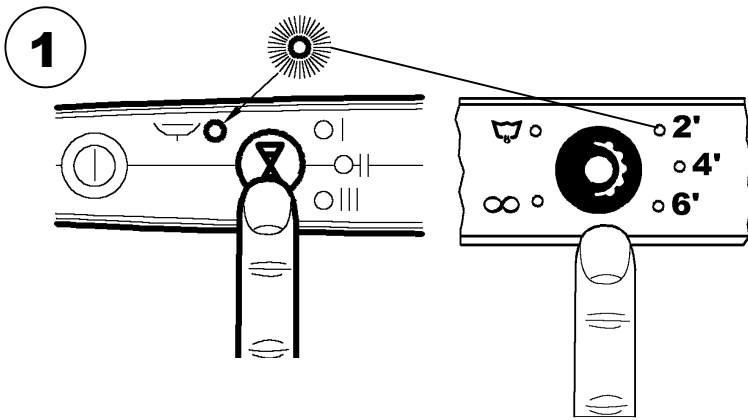
Lang vaske cyklus

Lyset bliver tændt udfor det valgte tidsrum.

Bemærkning: Vælg programmet "∞", hvis man ønsker at foretage en længerevarende vask.

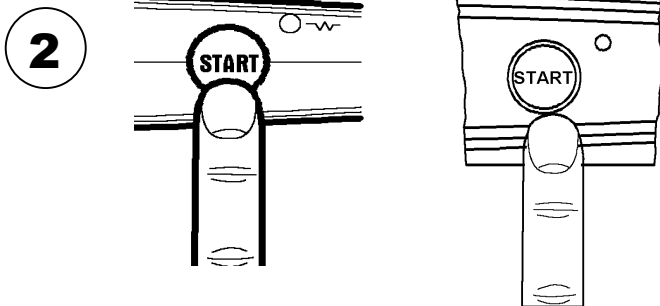
4. Luk døren og tryk på den indikerede knap på siden, så starter maskinen automatisk. Før efterfølgende vaskecyklusser trykkes knapperne igen.

N.B.: Vasken "∞" afbrydes ved at trykke på knappen (hvis man ønsker at køre andre vaskeprogrammer, skal man gentage procedure nr. 3).



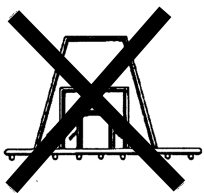
4.1.1 Automatisk udtømning af vandet i kammeret (ekstraudstyr).

1. Tryk på knappen angivet ved siden af og vælg det ønskede udtømningsprogram (den tilsvarende signallampe tændes).

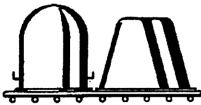


2. Tryk på knappen angivet ved siden af; maskinen tømmer automatisk kammeret for vand.

4.2 MASKINENS BRUG

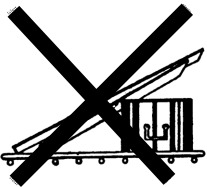


OK!



- Der hældes den ønskede mængde vaskemiddel i karret, idet fabrikantes anvisninger for produkte nøje overholdes

- Vaskemidlet, der benyttes, skal være af den lavtskummende slags til industriel brug.

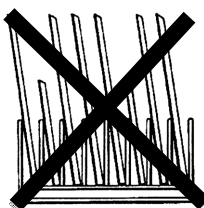


OK!

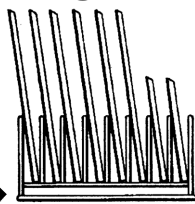


- Læg ikke hænderne ubeskyttede ned i vaskeluden, sæt kopper og glas med bunden opad i kurvene. Placer tallerkner, kopper og glas med bunden opad i kurvene. Placer tallerknerne i den dertilhørende kurv med støttefingre, med indersiden opad .

- Sæt bestik og teskeer med grebet nederst.



OK!

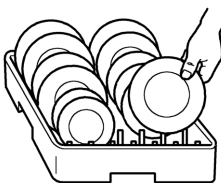


- Sætt ikke sølvbestik og bestik i rustfritstål i samme bestikkurv, da dette medfører at sølvtøjet spoles og bestikket i rustfrit stål korroderes.

- Benyt kurve specielt udtænkt til de forskellige slags service (tallekner, glas, kopper, bestik, osv.). For at spare vaskemiddel og strømforbrug, vask kun med fyldte kurve, dog uden at overfylde dem.

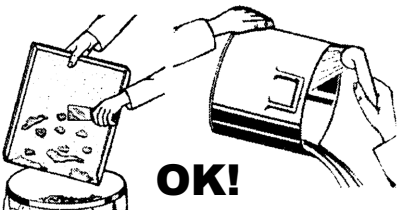


OK!



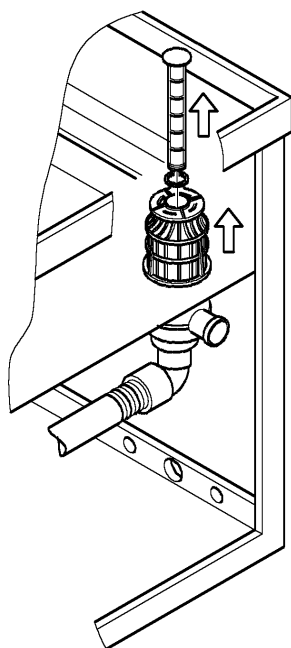
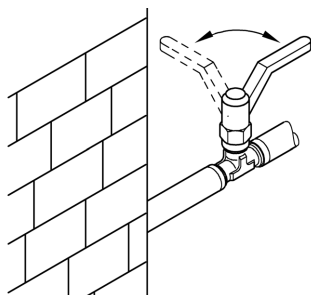
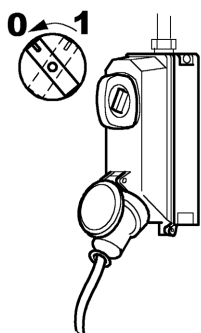
For at mindske vedligeholdelsen **MEST MULIGT ANBEFALER VI EN FORRENGØRING** af servicet. Fjernelse af madrester, citronskaller, tandstikker og olivensten osv. som etv. kan tilstoppe elektropumpens filtre, forbedrer væsentlig kvaliteten af det endelige resultat.

Det anbefales at vaske servicet inden eventuelle madrester tørrer ind påoverfladen. I tilfælde af indtørrede rester, er det anbefalelseverdigt at sætte servicet og bestikket i blød, inden det sættes i maskinen.



OK!

4.3 VED ENDT OPVASK



- Fjern spændigen fra maskinen
- Åben døren og træk kurven med det rene service ud.
- Udled vandet fra kummen ved at fjerne flyderen. For modeller med vandudledningspumpe, følg "Brugs Instruktionerne".
- Afbryd general afbryderen.
- Luk den saracenske ventil for den hydrauliske forbindelse.
- Fjern filtrene, rens dem under løbende vand og med en nylon børste.
- Vær opmærksom på, at det snavs, der er efterladt på bunden af vandudlednings pumpens filter, ikke falder ned i kummen.

NOTA: Vask ikke maskinen med vandkast eller med højtryksrens, idet eventuelle vandinfiltrationer, kan beskadige de elektriske komponenter, hvilket kan forhindre, at maskinen fungerer korrekt. Dette dækkes ikke af garantien.

KAP. 5 VEDLIGEHOJDELSE

5.1 GENERELLE REGLER

Maskinerne er konstruerede for at reducere vedligeholdelses kravene. Reglerne, som følger, må i alle tilfælde respekteres for at garantere en lang holdbarhed og en drift uden vanskeligheder.

I alle tilfælde, må de generelle sikkerhedsregler respekteres for at holde maskinerne i perfekt stand:

- maskinen skal holdes ren og i orden
- undgå at provisoriske reparationer gentager sig

Overhold strengt reglerne for vedligeholdelse; alle maskinens dele skal periodemæssigt efterses for at undgå, at der opstår evt. anomalier.

Inden start af rengøring, skal strømmen tages fra maskinen.

5.2 PERIODISK VEDLIGEHOJDELSE (skal gennemføres mindst hver 20. dag)

For at lette følgende operationer, kan rammen, der holder kurvene, tages ud.

- Skil den øverste og den nederste skyllearm ad, ved at skrue komponenten indikeret med fra hinanden.
 - Skru alle forstøverne af og gør dem rene. Sæt dem på plads igen.
 - Skil den øverste og den nederste vaskearme ad ved at skrue skylleaksen ad, rens og skyld dem.
 - Fjern vaskepumpens filter gør det rent og skyl det
 - Dernæst skal vaskekarret gøres grundigt rent.
 - Lad maskinens låg stå åbent under hele hvileperioden.
 - Pga. kalk og magnesium indeholdt i vandet opstår der efter en vis periode-afhængig af vandets hårdhedsgrad en tilkalkning indvendigt i vandvarmerkarret og i røerne, som kan skade driften af maskinen.
 - Derfor skal man sørge for en periodemæssig afkalkning, som ve anbefaler udføres af teknisk kvalificeret personale.
 - I tilfælde-af at maskinen skulle henstå ubrugt i længere tid skal overfladerne i stål indsmøres i vaselineolie.
-



- Hvis der er fare for, at der kan opstå is, skal kvalificeret personale tilkaldes for at lede vandet ud, dels af kogeren, dels af vaske pompen.
- I tilfælde af at maskinen fungerer dårligt eller der er opstået skader, skal De henvende Dem til et teknisk assistance center autoriseret af maskinens konstruktør eller en koncessionsindehaver.

KAP. 6 NEDTAGNING

6.1 NEDTAGNING AF MASKINEN

På vores maskiner findes intet materiale, der kræver en speciel procedure ved nedtagning.

INNEHÅLLSFÖRTECKNING

KAP. 1 INLEDNING	99
KAP. 2 INSTALLATION	99
2.1 FLYTT OCH UPPACKNING	99
2.2 ELANSLUTNING.....	100
2.3 HYDRAULANSLUTNING.....	100
2.4 ANSLUTNING TILL AVLOPPSLEDNINGEN	101
2.5 REGLERINGAR OCH KONTROLLER.....	101
2.6 DOSERINGSKOPP DISKMEDEL.....	101
2.7 DISKMEDEL	102
KAP.3 SÄKERHETSANVISNINGAR.....	102
3.1 ÖVRIGA RISKER OCH VARNINGAR	102
3.2 SÄKERHETSANORDNINGAR	103
KAP.4 HUR MASKINEN ANVÄNDS	104
4.1 BESKRIVNING AV KOMMANDON.....	104
4.2 ANVÄNDING.....	105
4.3 HANDLINGAR VILKA UTFÖRS VID SLUTET AV DISKNINGEN	105
KAP. 5 SKÖTSEL	107
5.1 ALLMÄNT.....	107
5.2 PERIODISKT UNDERHÅLL (utförs minst varannan eller dag).....	107
KAP. 6 DEMOLERING	108
6.1 DEMOLERING AV DISKMASKINEN	108

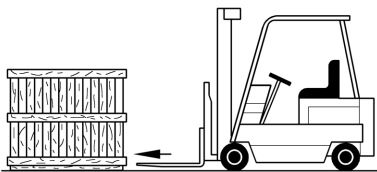
KAP. 1 INLEDNING

Varningsföreskrifterna i denna bruksanvisning ger viktiga säkerhetsanvisningar för installation, användning och underhåll.

Operatören ska läsa denna bruksanvisning före flytt, installation, användning, underhåll eller avställning av denna maskin. Bruksanvisningen ska därför förvaras väl på en säker plats. Ta eventuellt kopior på bruksanvisningen som kan användas för dagligt bruk.

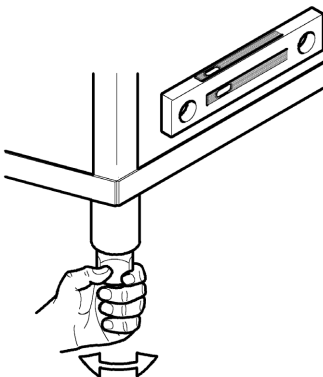
KAP. 2 INSTALLATION

2.1 FLYTT OCH UPPACKNING



- Flytten ska utföras mycket försiktigt med gaffeltruck.
- Kontrollera att maskinen är hel. Meddela omedelbart eventuella synliga skador till återförsäljaren eller transportören som har utfört transporten. Vid tveksamheter ska maskinen inte användas förrän den har kontrollerats av specialiserad personal.
- Transportera maskinen till installationsplatsen och packa upp den ur emballaget.

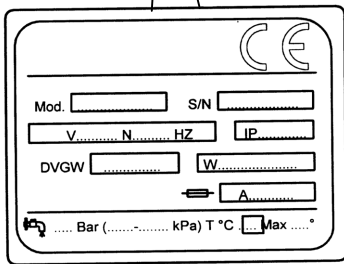
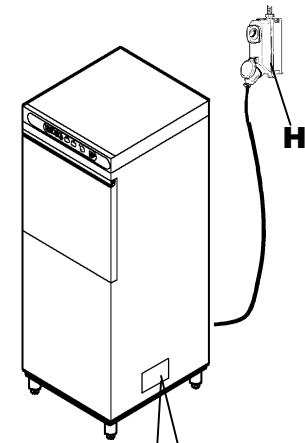
Emballaget (plastpåsar, frigolit, spikar o.s.v.) ska förvaras oåtkomligt för barn då det utgör en potentiell fara.

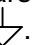


- Installationen ska utföras enligt tillverkarens instruktioner och av kvalificerad personal.
- Denna maskin lämpar sig enbart för en fast anslutning.
- Ställ maskinen på plats och nivellera den med justerfötterna.
- Golvet måste klara maskinens totala vikt.
- Följ anvisningarna i maskinens installationsschema och förbered disklokalens el-, hydraul- och avloppssystem.



2.2 ELANSLUTNING

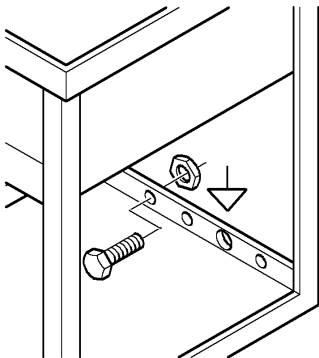


1. Anslutningen till elnätet ska utföras med en huvudströmbrytare(H) den ska vara allpolig och avbryta samtliga kontakter inklusive nollan med ett minsta avstånd mellan kontakterna på 5 mm. Den ska ha ett termomagnetiskt skydd och säkringar som klarar max. märkström.
2. Kontrollera att nätspänningen och –frekvensen överensstämmer med de på märkplåten som är placerad på maskinen högra sida.
3. Ett effektivt jordningssystem i enlighet med gällande säkerhetsföreskrifter garanterar operatörens och maskinens säkerhet.
4. Det är strängt förbjudet att använda adaptrar, multipeluttag och förlängningsladdar.
5. Maskinen bör dessutom ingå i ett ekvipotentialt system, vars koppling sker genom en skruv med symbolen . Ekvipotentialledaren måste ha en indelning på 10mm².



Den medföljande elsladden får endast bytas ut mot en med samma tvärsnitt av typ H07RN-F.

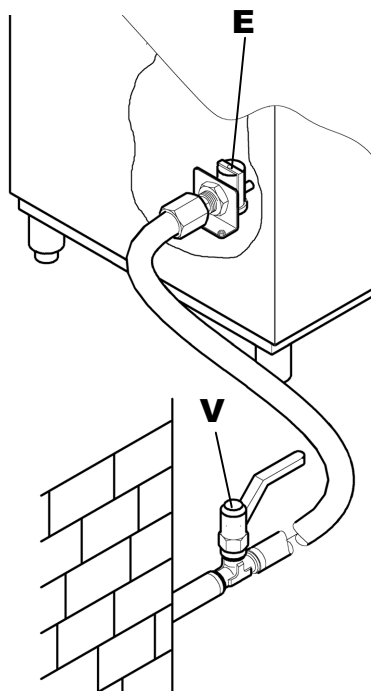
Se bifogat elschema för ytterligare information.



2.3 HYDRAULANSLUTNING

Förbered lokalen enligt det bifogade hydraulschemat.

Kontrollera att det har installerats en slussventil mellan vattennätet och maskinen innan maskinen ansluts. Slussventilen gör att det vid behov eller en eventuell reparation går att avbryta vattentillförseln.



Anslut magnetventilen (E) till slussventilen (V) med en slang och kontrollera att vattentillförseln är minst 20 l/min.

Kontrollera att det tillförda vattnets temperatur och tryck överensstämmer med de på märkplåten.

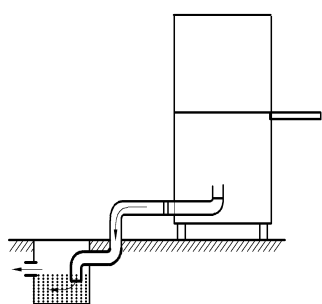
Om vattnets hårdhetsgrad är högre än den som indikeras i tabellen, rekommenderas det att installera en avhårdare före magnetventilen för försörjning av maskinen.

Om det förekommer stora mängder mineraler med hög ledningsförmåga i vattnet, rekommenderas det att installera ett avsaltningssystem som är inställt på att ge en kvarstående hårdhetsgrad enligt tabellen nedan.

	Egenskaper		Från	Till
Hårdhetsgrad	Franska grader	f	5	10
	Tyska grader	°dH	4	7'5
	Engelska grader	°e	5	9,5
	Miljondelar	ppm	70	140
Kvarstående mineraler	Max.	mg/l	300/400	



2.4 ANSLUTNING TILL AVLOPPSLEDNINGEN



Tömningen av diskutrymmet sker via självtryck och avloppet måste därför vara placerat lägre än maskinbasen.

Avloppsändan ska anslutas med en slang till en golvbrunn eller ett avlopp med vattenlås.

Maskinavloppets dimensioner anges i installationsschemat.

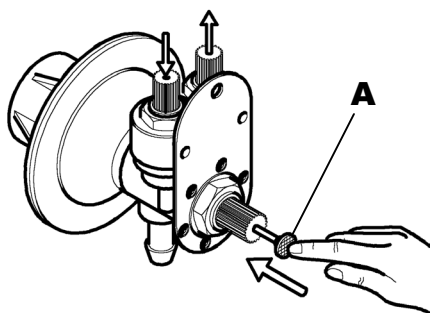
2.5 REGLERINGAR OCH KONTROLLER



Temperaturen i diskbehållaren regleras av ett termostat som är fast inställt på 55° C. Denna temperatur är lämplig för att korrekt utnyttjande av de industriella diskmedlenas kemiska egenskaper. Boilerens temperatur, som regleras av ett fast inställt termostat, är omkring 85° C.



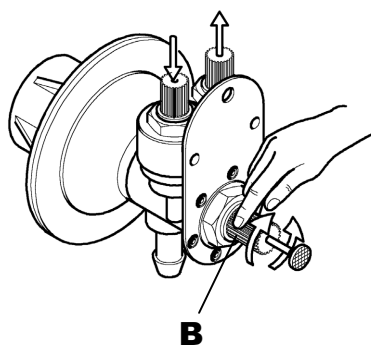
2.6 DOSERINGSKOPP DISKMEDEL



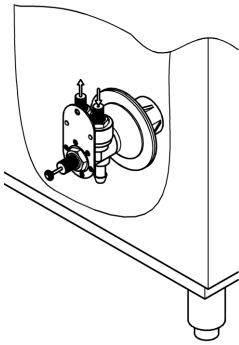
Doseraren och tillhörande rör ska fyllas med hjälp av knappen (A) för fyllning före inställningen.

Utför inställningen genom att vrida på axelmuttern (B) som är placerad mitt på doseraren. Vrid den medurs eller moturs för att uppnå en minskning respektive ökning av den tillförda mängden.

Doseranordningen får inte fungera tom eller förbli tom.



En överdosering av sköljmedel förorsakar blåaktiga ränder på diskgodset och ger upphov till skumbildningar i diskbehållaren.



Om det däremot finns vattendroppar på diskgodset och torkningen är långsam, innebär detta att doseringsmängden av sköljmedlet inte är tillräckligt.

7cm rör = 1 g produkt



2.7 DISKMEDEL

Maskin utan diskmedelsdoserare

Fyll på diskmedel i diskutrymmet enligt tillverkarens rekommenderade doser. Mängden kan variera beroende på typen av diskmedel från 2 till 4 g/l vatten i diskutrymmet. Diskmedlet ska fyllas på cirka var **5:e** disk i den mängd som rekommenderas av diskmedelstillverkaren.

De mängder som indikeras ovan gäller vid en genomsnittlig hårdhetsgrad för vattnet på **5-10°F** (franska grader).

Maskin med doserare av diskmedel

Justeringar:

Med trimmern (A) ställer du in tiden för start/stopp och därmed mängden rengöringsmedel.

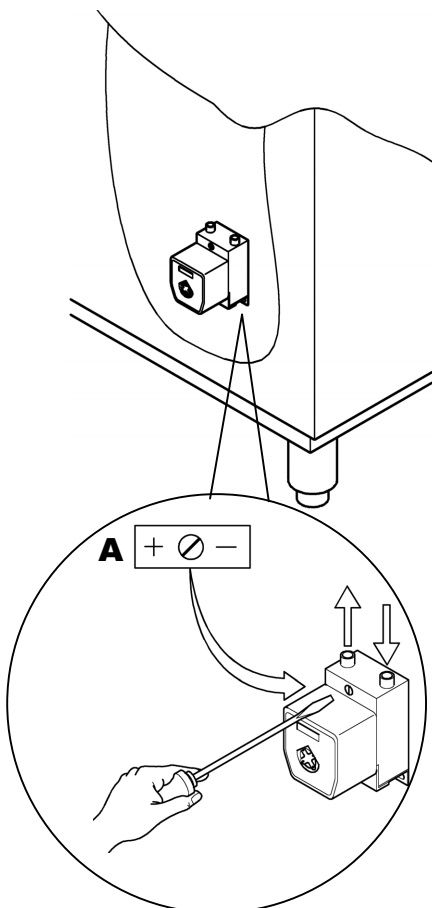
- Vrid trimmern medurs eller moturs för att minska eller öka utflödet av rengöringsmedel.
- Justeringen avslutas med att tvättresultatet kontrolleras vid några tvättar.



WARNING!

Nivån i behållaren får aldrig sjunka så mycket att det blir tomt och behållaren får inte fyllas på med frätande eller orena produkter.

Garantin täcker inte skador orsakade av felaktig användning av doseringsanordningen.



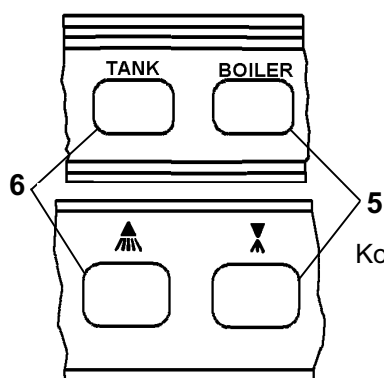
Kap.3 SÄKERHETSANVISNINGAR



3.1 ÖVRIGA RISKER OCH VARNINGAR

- Öppna aldrig luckan hastigt när maskinen fortfarande är i funktion.
- Doppa aldrig ned bara händer i diskmedelslösningen.
- Koppla alltid från eltillförseln till maskinen innan du tar bort maskinens paneler.
- Den fackkunniga personalen, som utför installationen och den elektriska anslutningen, ska även informera ordentligt om maskinens användning angående dess funktion och de eventuella säkerhetsåtgärder som ska respekteras.

- Installören bör dessutom ge en praktisk demonstration om maskinens användelse, och ska dessutom överlämna skriftliga instruktioner tillsammans med själva maskinen.
- **Diskmaskinen får användas endast för det avsedda ändamålet. All annan användning betraktas som missbruk och kan vara farligt.**
- Okunnig personal får inte använda diskmaskinen.
- Använd **ALDRIG** maskinen utan skydd (mikrokontakter, paneler o.dyl.) som är förberedda av konstruktören, om man inte är tillsammans med en kvalificerad tekniker, som vidtar försiktighetsåtgärder om så skulle vara fallet.
- Använd **ALDRIG** maskinen för att diska objekt som är av andra former, typer, mått eller material än de som konstruktören föreskriver.
- Endast tillverkaren eller en av tillverkaren auktoriserad fackman får utföra reparationer. Endast originalreservdelar får användas.
- Om ovanstående anvisningar inte efterlevs, kan diskmaskinens säkerhet äventyras.
- Strömmen skall slås av då diskmaskinen inte är i bruk.
- Låt inga magnetiska föremål komma i närheten av maskinen.
- Använd inte maskinen utan filter i vattenbehållaren.



3.2 SÄKERHETSANORDNINGAR

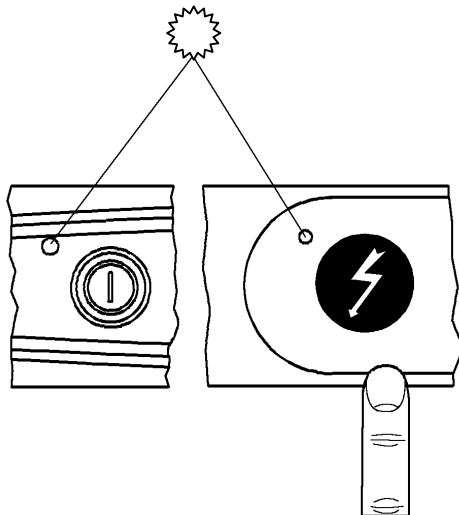
Kortet kan känna igen olika felsituationer.

Funktionsfel visas tydligt genom meddelanden på display (5 och 6) och genom avbrott av eventuella pågående funktioner endast i de fall (1 och 3) som anges nedan.

WARNING! Vid avstängning och påföljande tändning av maskinen nollställs signaleringen. Den återkommer senare om problemet inte har lösts.

		Meddelande som visas på bildskärmen	
UPPTÄCKT FELFUNKTION:		Vattenbehållare (6) ▲	Kokare (5) ▼
1	VATTNET HAR INTE FYLLTS PÅ ELLER HAR SVÄMMAT ÖVER I BEHÅLLAREN (om korrekt nivå inte uppnåtts i vattenbehållaren efter ≥ 10 min)	Er	04
2	SONDFEL KOKARE (Om sonden inte anslutits korrekt eller är skadad) (om sonden har kortslutits eller är skadad)	Er Er	07 08
3	ÖVERTEMPERATURER (För hög temperatur i kokare/behållare) (Ingrepp av termostat)	HI SA	HI FE
4	SONDFEL VATTENBEHÅLLARE (Om sonden inte anslutits korrekt eller är skadad) (om sonden har kortslutits eller är skadad)	Er Er	05 06
5	SKÖLJNING (Boilern har inte fyllts på)	Er	09
6	KOKARE (Fel på kokarens resistans) (För lång uppvärmningstid)	Er	03

1

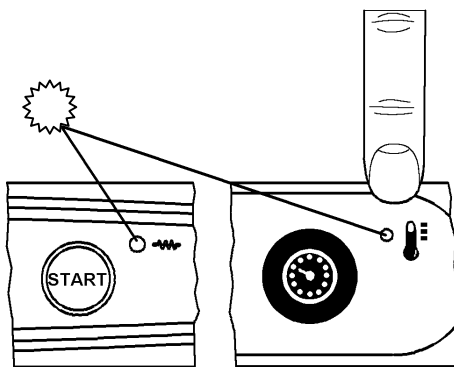


Kap. 4 HUR MASKINEN ANVÄNDS

4.1 Beskrivning av kommandon

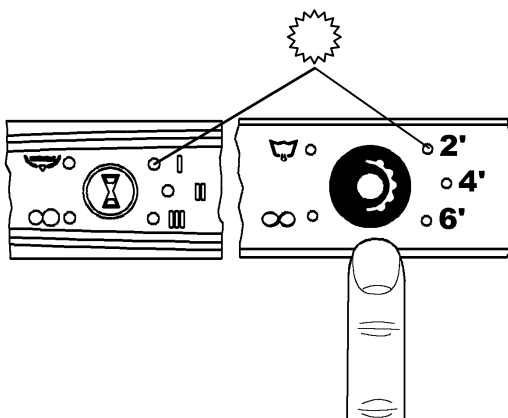
1. Tryck på anvisad knapp på sidan för att starta maskinen (motsvarande varningslampa tänds).

2



2. När signallampen tänds är maskinen klar att användas. (Rött ljus=uppvärmningsfas)

3



3. Tryck på anvisad knapp på sidan för att välja cykel

I (2') **II (4')** **III (6')**

Kort cykel

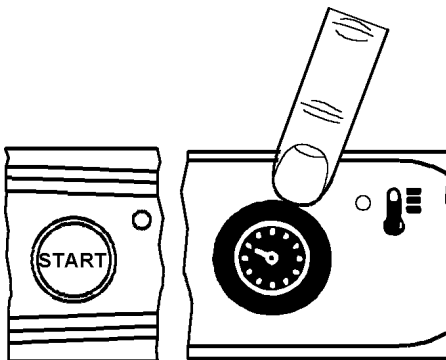
Medium cykel

Lång cykel

Kontrollampen tänds i enlighet med den inställda tiden.

Märk: välj program "∞" för längre diskningar.

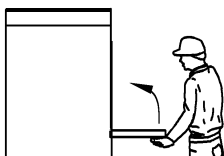
4

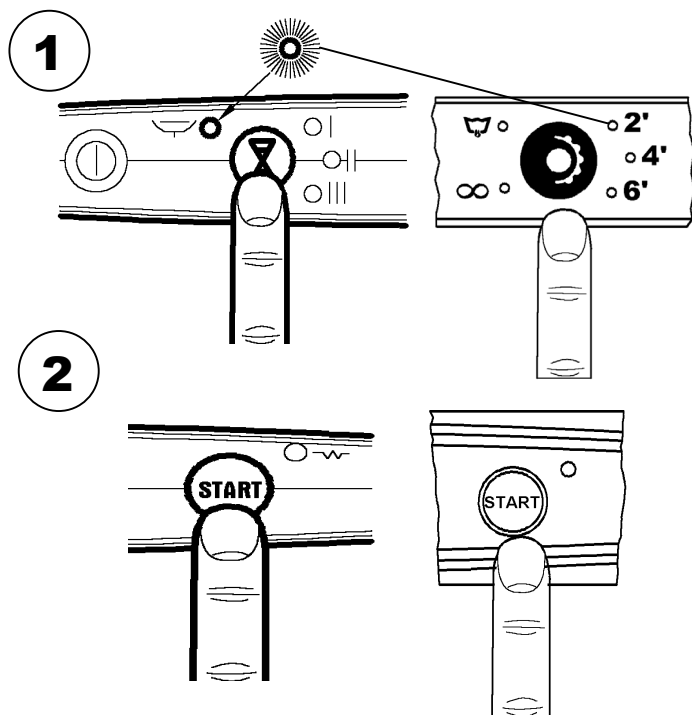


4. Stäng luckan och tryck på den indikerade knappen på sidan, maskinen startas då automatiskt.

För nästföljande tvättar skall knappen tryckas in på nytt.

OBS.: Om du måste avbryta en "∞"-diskning trycker du på tangenten, (om du ska sätta igång nya diskprogram upprepar du moment 3).

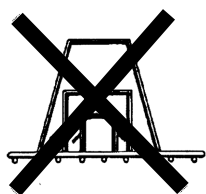




4.1.1 Automatisk uttömning i vattenbehållare (tillval)

- Tryck på anvisad knapp på sidan och välj tömningsprogram (varningslampan tänds)
- Tryck på anvisad knapp på sidan för automatisk tömning i vattenbehållaren.

4.2 ANVÄNDNING



OK!



- Följ tillverkarens instruktioner och lägg in den nödvändiga mängden diskmedel i diskbehållaren.

- Diskmedlet skall vara av industriell typ och skumhinderande.

- Doppa inte bara händer i tvättluten, placera kopparna och glasen upp och ner i korgarna. Sätt in tallrikarna, i den avsedda korgen med hållare, med den inre sidan uppåtriktad.

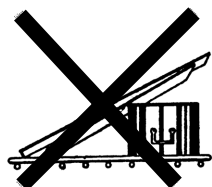
- Sätt in besticken och kaffeskedarna, med skaften nedåt .

- Placera inte silverbestick och bestick i rostfritt stål i samma bestickkorg, eftersom det skulle kunna orsaka brunering på silvret och sannolik korrosion på det rostfria stålet.

- Använd de särskilda korgarna, avsedda för olika typer av diskgodset (tallrikar, glas, koppar, bestick etc.). För att spara diskmedel och elenergi skall man endast diska med fulla korgar, emellertid utan att överbelasta dem. Undvik att sätta diskgodset ovanpå varandra.

I syfte att minska underhållet till minimum, **REKOMMENDERAR VI EN FÖREBYGGANDE RENGÖRING** av diskgodset. Genom att avlägsna matrester, citronskal, tandpetare, olivkärnor etc, som delvis kan täppa till elpumpens filter, och på så sätt minska effektiviteten av diskningen, förbättras kvalitén och slutresultatet väsentligt.

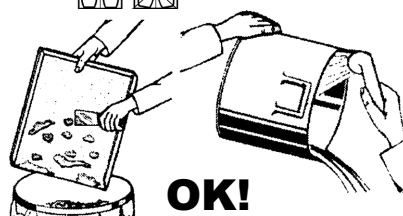
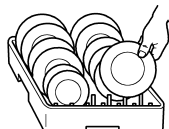
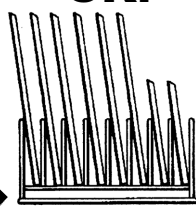
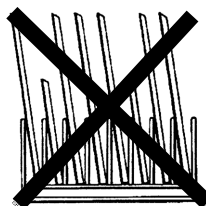
Diskgodset bör diskas innan matresterna torkar på ytorna. I händelse av torkade matrester bör dessa mjukas upp innan diskgodset och besticken sätts in i maskinen.



OK!

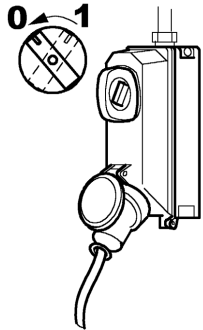


OK!

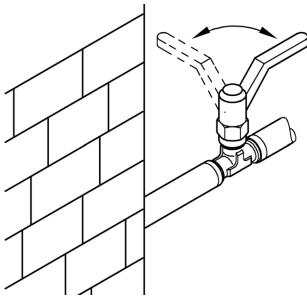


OK!

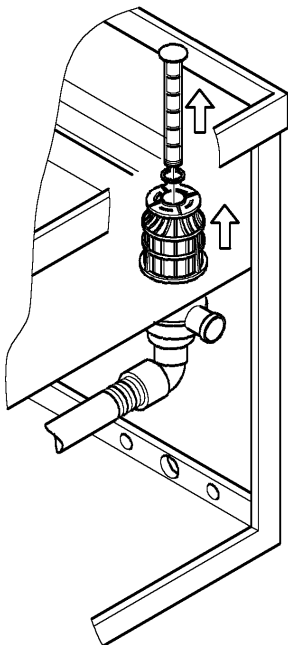
4.3 HANDLINGAR VILKA UTFÖRS VID SLUTET AV DISKNINGEN



- Avlägsna spänningen i maskinen.
- Öppna luckan och dra ut korgen med den rena disken.
- Tömm ut vattnet från trumman genom att avlägsna det uppfyllande elementet. För modellen med uttömningspump ska man hålla sig till de handlingar som beskrivs i paragrafen "Bruksanvisning".



- Koppla bort generalströmbrytaren på ovansidan av maskinen.
- Stäng jalousinventilen för den hydrauliska kopplingen.
- Avlägsna filtren, rengör dem under rinnande vatten med en diskborste.



- Var noggrann med att inte låta resterande matrester trilla ner på botten av filtret till uttömningspumpen inne i trumman. Rengör trumman med normalrinnande vatten. Rengör de yttre ytorna när de svalnat med icke repande medel, som är specialgjorda för underhåll av stålytor.

ANMÄRKNING: Rengör inte maskinen med direkt eller med hårt tryckande rinnande vatten, eftersom eventuella infiltreringar till de elektriska komponenterna skulle kunna tränga in och skada maskinens reglerade funktioner och de olika säkerhetssystemen, och ogiltiggöra garantin.

KAP. 5 SKÖTSEL

5.1 ALLMÄNT

Diskmaskiner med transportör har designats med tanke på en möjligast problemfri och enkel service. Med iakttagande av följande anvisningar, som skall följas i alla fall för garantins skull, kan du förlänga maskinens bruksålder och diskning utan störningar.

- håll maskinen ren och i ordning
- undvik provisorska ogenomtänkta reparationer

Service bör vara regelbunden och omsorgsfull-maskinens delar bör ses över regelbundet för att eventuella problem skall uppdagas och åtgärdas.

Innan man börjar att rengöra ska man koppla ur maskinens elektriska inmatning.

5.2 PERIODISKT UNDERHÅLL (utförs minst varannan eller var tredje dag)

För att underlätta de följande handlingar kan man ta bort infattningen, som bär upp korgarna, från sitt fäste.

- Plocka isär de övre och undre sköljarmarna, genom att skruva loss låsregeln.
 - Skruva loss och rengör alla sprutmunstycken och återmontera dem på plats.
 - Plocka isär de övre och undre tvättarmarna genom att skruva loss sköljbulten rengör dem och skölj dem igen.
 - Ta bort diskpumpens filter. Rengör det och skölj den.
 - Rengör därefter mycket noga diskbehållaren.
 - Låt maskinens lucka stå öppen under hela viloperioden.
 - På grund av kalciumsalt och magnesiumsalt som förekommer i vattnet bildas, efter en viss driftsperiod som är variabel i förhållande till vattnets hårdhet, på insidan av ytorna i boilerens behållare och av rörledningarna en kalkbeläggning som kan orsaka en försämring av maskinens funktion.
 - Därför skall man sörja för att beläggningen periodiskt avlägsnas, vilket vi råder Er att låta utföras av tekniskt kvalificerad personal.
 - Om maskinen skall stå överksam under en längre tid skall stålytorna oljas med vaselinolja.
-



- Om det finns risk för isbildning skall vattnet tömmas från boilern och från diskpumpen av tekniskt kvalificerad personal.
- I händelse av otillfredsställande funktion eller fel, kontakta uteslutande en servicetjänst som auktoriserats av konstruktören för utrustningen eller av dennes återförsäljare.

KAP. 6 DEMOLERING

6.1 DEMOLERING AV DISKMASKINEN

Denna diskmaskin kräver inga specialåtgärder vid demolering.

HAKEMISTO

LUKU 1 ESIPUHE	111
LUKU 2 ASENNUS	111
2.1 SIIRTÄMINEN JA PAKKAUKSESTA PURKAMINEN	111
2.2 SÄHKÖLIITÄNTÄ	112
2.3 VESILIITÄNTÄ	112
2.4 VIEMÄRILIITÄNTÄ	113
2.5 SÄÄDÖT JA TARKISTUKSET	113
2.6 HUUHTELUAINEEN ANNOSTELIJA	113
2.7 PESUAINE	114
LUKU 3 TURVASUOSITUKSET	114
3.1 MUITA RISKEJÄ JA VAROITUKSIA	114
3.2 VALAITTEISTO	115
LUKU 4 KONEEN KÄYTTÖ	116
4.1 KYTKINTEN KUVAUS	116
4.2 LAITTEEN KÄYTTÖ	117
4.3 KÄYTÖN JÄLKEEN	118
LUKU 5 KUNNOSAPITO	119
5.1 YLEISTÄ	119
5.2 MÄÄRÄAIKAINEN HUOLTO (suoritettava vähintään joka 20. päivä)	119
LUKU 6 HÄVITTÄMINEN	120
6.1 ASTIANPESUKONEEN HÄVITTÄMINEN	120

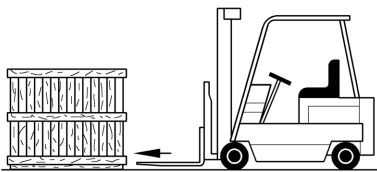
LUKU 1 ESIPUHE

Tämä opas sisältää tärkeitä ohjeita koskien asennuksen, käytön ja huollon eri vaiheiden turvallisuutta.

Laitekäyttäjällä on velvollisuus tutustua tähän oppaaseen ennen minkään siirto-, asennus-, käyttö-, huolto- tai käytöstä poistamistoimenpiteen suorittamista; on siis tärkeää säilyttää opas kokonaisuudessaan varmassa paikassa koko laitteen käyttöajan ja ottaa oppaasta mahdollisia kopioita usein tapahtuvaa oppaan käyttöä silmälläpitäen.

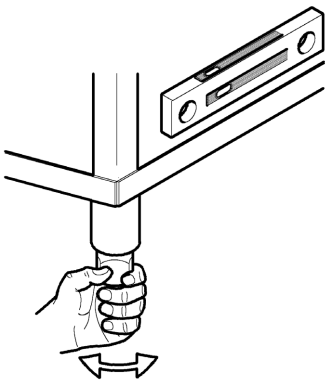
LUKU 2 ASENNUS

2.1 SIIRTÄMINEN JA PAKKAUKSESTA PURKAMINEN



- Laitteen siirtäminen tulee suorittaa erittäin huolellisesti haarukkatrukin avulla.
- Tarkista laitteen eheys ja mikäli siinä on havaittavissa vaurioita, ota välittömästi yhteys laitteen myyjään ja kuljetuksen suorittaneeseen yritykseen. Mikäli et ole varma laitteen kunnosta, älä ota sitä käyttöön ennen kuin ammattitaitoinen henkilö on sen tarkastanut.
- Kuljeta laite sen asentamiseen varattuun tilaan ja pura laite pakkauksesta.

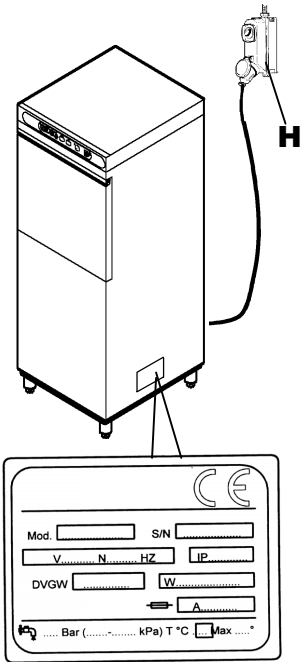
Pakkausmateriaaleja (muovipussit, styrox-levyt, naulat, jne.) ei saa jättää lasten ulottuville niiden sisältämän vaaran vuoksi.




- Asennus tulee suorittaa laitevalmistajan ohjeiden mukaan ja ammattitaitoisen henkilön toimesta.
- Tätä laitetta saa käyttää ainoastaan kiinteässä asennuksessa.
- Sijoita laite sille varattuun paikkaan ja huolehdi siitä, että se on täysin suorassa säätämällä tukijalkoja.
- Lattiatason pitää kyetä kantamaan laitteen kokonaispaino.
- Noudattaen asennuskaaviossa annettuja ohjeita, järjestä pesukoneen asennustilan sähkön ja veden jakelu ja viemäröinti.



2.2 SÄHKÖLIITÄNTÄ



1. Verkkoon liitäntä tulee suorittaa pääkatkaisimen välityksellä (H) pääkatkaisimen pitää olla moninapaliitin, joka kytkee irti kaikki koskettimet, myös nollaliittimen ja jossa avointen liittimien välinen etäisyys vähintään 3 mm, varustettu magnetotermisellä turvakytkimellä tai kytketty sulakkeisiin, jotka kykenevät kestäämään tyyppikilvessä osoitetun maksimivirran.
2. Varmistu siitä, että sähköverkon virran jännite ja taajuus vastaavat laitteen tekniset ominaisuudet sisältävässä, laitteen oikealle sivulle kiinnitettyssä tyyppikilvessä osoitettuja arvoja.
3. Voimassa olevien turvamääräysten mukainen tehokas maattokytkeä takaa laitekäyttäjän ja laitteiston turvallisuuden.
4. On ehdottomasti kiellettyä käyttää sovittimia, monijakopistorasioita ja jatkojohtoja.
5. Koneiston täytyy sitäpaitsi sisältyä ekvipotentiaalisiin systeemiin, jonka yhteys järjestetään yhden ruuvin,  tunnistettu symbolilla. Ekvipotentialin johdolla täytyy olla 10 mm² osa.



Laitteen mukana toimitettava virran syöttöjohto voidaan korvata ainoastaan H07RN-F-tyyppisellä johdolla, jossa sama poikkileikkaus.

Lisätietoja saa liitteenä olevasta sähkökaaviosta.

2.3 VESILIITÄNTÄ

Valmisteleva tila liitteenä toimitetun vesiliitäntäkaavion vaatimukset täyttäväksi.

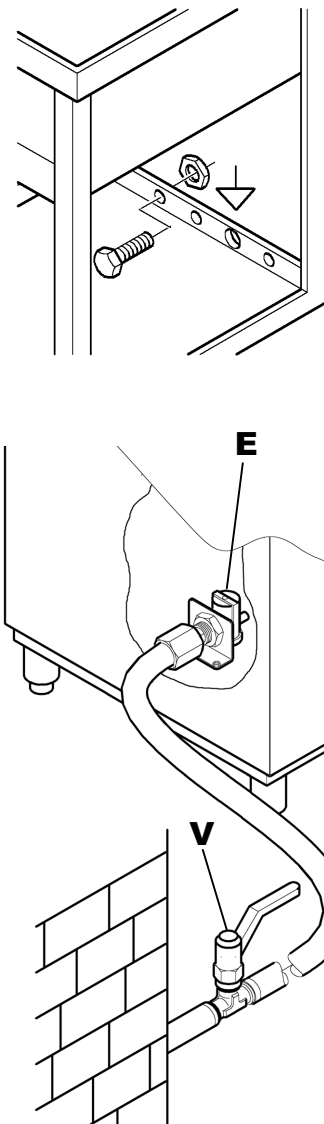
Ennen laitteen liittämistä vesijohtoverkkoon varmistu siitä, että vesijohtoverkon ja laitteen välille on asennettu sulkuventtiili, jonka avulla veden syöttö voidaan keskeyttää tarpeen vaatiessa tai korjausten ajaksi.

Liitä joustavan letkun avulla syötön elektroniventtiili (E) sulkuventtiiliin (V) ja varmistu siitä, että virtauskapasiteetti on vähintään 20 litraa minuutissa.

Varmistu siitä, että syöttöveden lämpötila ja paine vastaa tekniset ominaisuudet osoittavassa kilvessä esitetyt arvoja.

Mikäli veden kovuusaste on suurempi kuin on osoitettu taulukossa, on suositeltavaa asentaa kalkinpoistolaitte laitteen vedensyöttöpuolen elektroniventtiilin yläpuolelle.

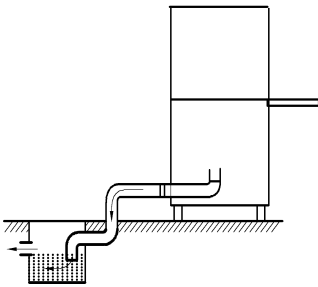
Mikäli veden jäljellejäävien mineraalien pitoisuus on erittäin korkea, on suositeltavaa asentaa kalibroitu mineraalinpoistolaitteisto, jotta saadaan aikaan seuraavassa taulukossa osoitettu veden kovuus.



	Ominaisuudet		Alkaen	Saakka
Kovuus	Ranskalaiset asteet	f	5	10
	Saksalaiset asteet	°dH	4	7'5
	Englantilaiset asteet	°e	5	9,5
	Miljoonasosia	ppm	70	140
Jäännösmine- raalit	Maksimi	mg/l	300/400	



2.4 VIEMÄRILIITÄNTÄ



Altaan tyhjennys tapahtuu painovoiman avulla, jonka vuoksi viemärointi tulee sijoittaa laitteen alustaa alemmalle tasolle.

Tyhjennysputki pitää liittää joustavan letkun avulla viemärikaivoon tai lattiaan sijoitettuun lapolla varustettuun lattiakaivoon.

Laitteen tyhjennysputkiston mitat on osoitettu liitteenä toimitetussa asennuskaaviossa.

2.5 SÄÄDÖT JA TARKISTUKSET



Pesualtaan lämpötila on säädetty kiinteän termostaatin avulla noin 55:een C. Tämä lämpötila soveltuu teolliseen pesuun tarkoitettujen pesuaineiden kemiallisten ominaisuuksien oikeaan hyödyntämiseen.

Lämmittimen kiinteän termostaatin avulla säädetty lämpötila on noin 85 C.



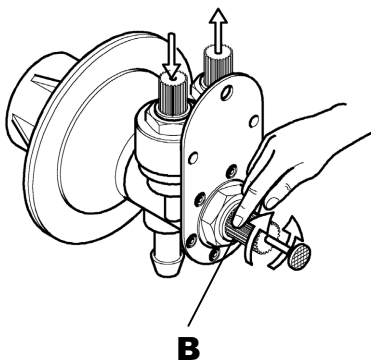
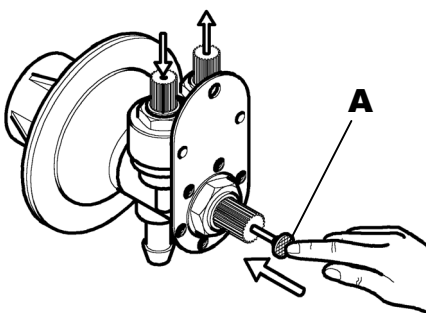
2.6 HUUHTELUAINEEN ANNOSTELIJA

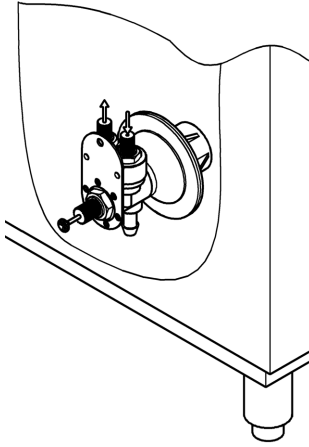
Ennen säädön suorittamista, annostelija ja sen syöttöputki pitää täyttää imupainikkeen (A) avulla.

Säätö suoritetaan annostelijan keskiosaan sijoitetun mutterin (B) avulla kiertäen sitä myötä- tai vastapäivään saaden siten aikaan joko laitteen annosteleman määrän väheneminen tai lisääntyminen.

Annostelijaa ei saa pitää toiminnassa ilman kirkastetta tai jättää sitä kuivaksi.

Liiallinen kirkasteen annostus jättää sinertäviä raitoja astioihin ja aiheuttaa vaahdon syntymistä pesualtaassa.





Sen sijaan astiat, joihin on jäänyt vesipisaroita ja jotka kuivuvat melko hitaasti ovat osoituksena siitä, että kirkasteen määrä on riittämätön.

7 cm putkea = 1 gr valmistetta



2.7 PESUAINNE

Laitteet ilman pesuaineen annostelulaitetta

Sijoita pesuainetta kaukaloon valmistajan suosittelema määrä. Määrä voi vaihdella 2-4g/pesualtaan sisältämää vesilitraa kohti. Pesuainetta lisätään noin joka 5 pesun jälkeen pesuaineen toimittajan suosittelema määrä.

Yllämainitut määrät koskevat keskikovaa **5-10°F** (ranskalaiset asteet) vettä.

Kone, jolla on pesuaineenjakajaa

Säädöt

Käynnistys-/sammutusaikaa ja tämän johdosta myös pesuaineen määrää säädetään siis säätölaitteen (**A**) avulla.

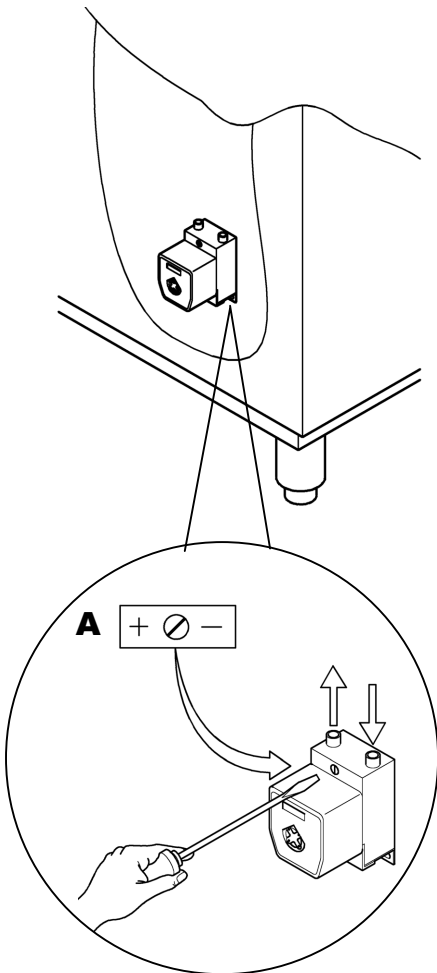
- Käännä säätölaitetta myötä- tai vastapäivään, jolloin syötön määrää joko lisätään tai vähennetään.
- Hienosäätö on suoritettava muutamien pesujen tuloksen perusteella.



HUOMIO!

Säiliön tasoa ei saa koskaan laskea täysin tyhjäksi. Säiliöön ei saa kaataa syövyttäviä tai likaisia tuotteita.

Takuu ei vastaa vahingoista, jotka johtuvat annostelijan virheellisestä käytöstä.



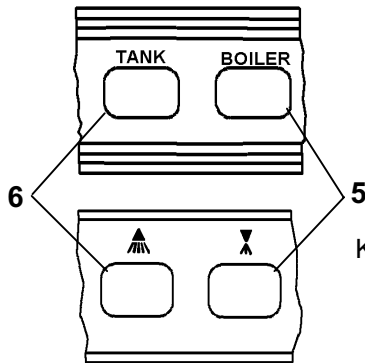
LUKU 3 TURVASUOSITUKSET



3.1 MUITA RISKEJÄ JA VAROITUKSIA

- Älä koskaan avaa laitteen luukkua nopeasti ellei kierros ole loppu.
- Paljaita käsiä ei saa koskaan upottaa pesun livokseen.
- Älä milloinkaan poista laitteen suojalevyjä ennen kuin olet kytkenyt laitteen irti sähköverkosta.
- Ammattimiehellä, joka suorittaa asennuksen ja sähköyhteyden, on velvollisuus opettaa käyttäjää käyttämään konetta ja tutustumaan käytettäviin turvaohjeisiin.
- Asentajan täytyy myös esittää käyttäjälle käytännössä kuinka konetta käytetään ja luovuttaa kirjalliset ohjeet, jotka annetaan koneen mukana.

- **Laitetta saa käyttää vain sen oikeaan käyttötarkoitukseen. Kaikki muu käyttö katsotaan virheelliseksi ja mahdollisesti vaaralliseksi.**
- Kouluttamaton henkilökunta ei saa käyttää laitetta.
- Älä käytä KOSKAAN konetta ilman suojausta (mikrokosketukset, panelit tai muut) jonka rakentaja on edeltäpäin määrännyt jos läsnä ei ole ammattimestä jotka ottaa tilanteen hallintaan.
- Älä käytä KOSKAAN koneetta sellaisten sineitteen pesuun, joitten muoto, laji, koko tai aine ei ole sopiva rakentajan määräyksen mukaisesti.
- Mahdollinen tuotteen korjaus suoritetaan vain valmistuspaikassa tai valtuutetussa huoltokeskuksessa käyttäen yksinomaan alkuperäisiä
- Mikäli yllämainittuja ohjeita ei noudateta, saattaa astianpesukoneen käyttöturvallisuus vaarantua.
- Astianpesukoneen virta on katkaistava kun laite ei ole käytössä.
- Älä aseta magneettisia esineitä koneen läheisyyteen.
- Älä käytä konetta, elleivät suodattimet ole paikoillaan.



Kortti tunnistaa eri vikatilat.

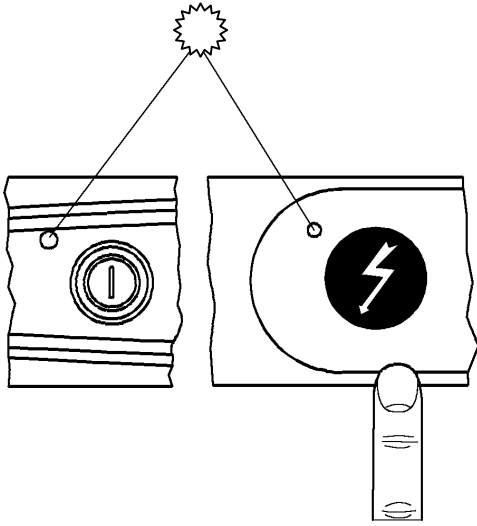
3.2 VALAITTEISTO

Toimintahäiriöt on helppo huomata näyttöön ilmestyvien viestien (5 ja 6) välityksellä sekä mahdollisten meneillään olevien toimintojen keskeytymisestä vain alla mainituissa tapauksissa (1 ja 3).

HUOMIO! Koneen kytkeminen pois päältä ja sitä seuraava käynnistys asettavat toimintahäiriöstä ilmoittavan merkin uudelleen ja se toistuu aina häiriön poistoon asti.

		Näytöissä esiintyvä viesti	
	HAVAITUT TOIMINTAHÄIRIÖT:	Allas (6) ▲	Boileri (5) ▼
1	ALLAS EI TÄYTTYNYT TAI LIIAN TÄYNNÄ VETTÄ (jos aikaa kulunut ≥ 10 min. altaassa ei oikea määrä vettä)	E _r	04
2	VIKA BOILERIN TUNNISTIMISSA (jos tunnistin virheellisesti liitetty tai vioittunut) (jos tunnistimessa oikosulku tai tunnistin vioittunut)	E _r E _r	07 08
3	YLIKUUMENTUMINEN (Boilerimessa ja altaassa liian korkea lämpötila) (turvatermostaatin kytkeytyminen)	HI SA	HI FE
4	VIKA ALTAAN TUNNISTIMISSA (jos tunnistin virheellisesti liitetty tai vioittunut) (jos tunnistimessa oikosulku tai tunnistin vioittunut)	E _r E _r	05 06
5	HUUHTELU (Boilerin täyttö ei suoritettu.)	E _r	09
6	BOILER (Vika Boiler-vastuksessa) (Liian pitkä lämmitys aika)	E _r	03

1

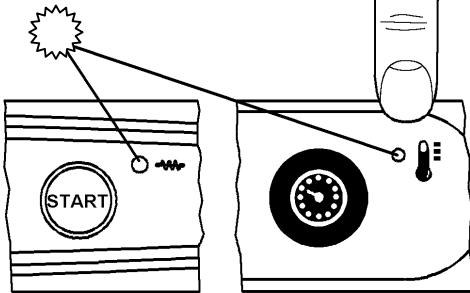


LUKU 4 KONEEN KÄYTTÖ

4.1 KYTKINTEN KUVAUS

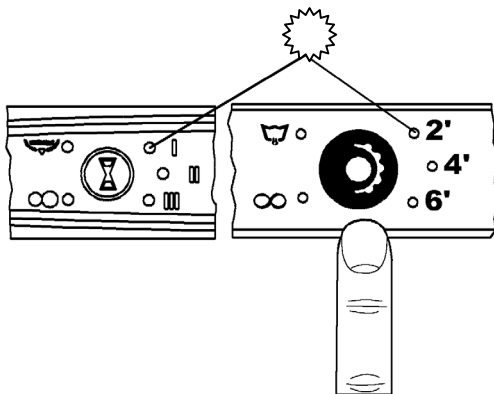
1. Käynnistä kone painamalla kyseistä sivussa olevaa kytkintä (vastaava merkkivalo syttyy).

2



2. Merkkivalon syttyessä kone on käyttövalmis. (Punainen = lämmitysvaihe).

3



3. Paina sivulla osoitettua näppäintä jakson valitsemiseksi

I (2') **II (4')** **III (6')**

Lyhyt prosessi

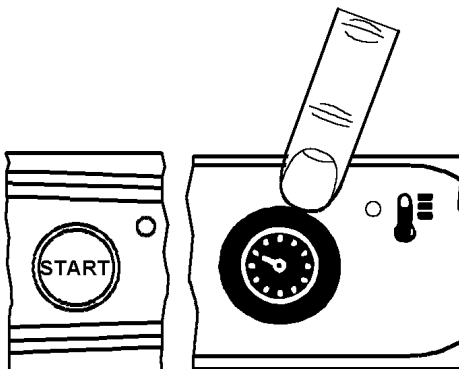
Keski prosessi

Pitkä prosessi

Merkkivalo syttyy valitun ajan mukaisesti.

Huom. Pitkien pesuohjelmien suorittamiseksi valitaan "∞" -ohjelma.

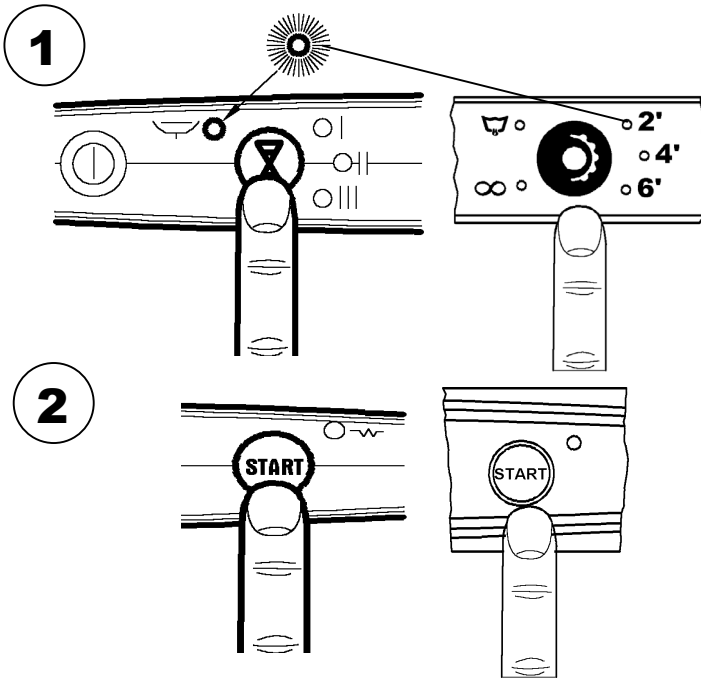
4



4. Sulje luukku ja paina painiketta osoitetulla puolella, laite käynnistyy automaattisesti. Seuraavia pesukertoja varten paina painiketta uudelleen.

Huom. "∞" -pesuohjelma keskeytetään näppäintä painamalla (uusien pesuohjelmien käynnistämiseksi)

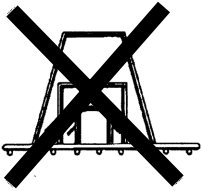




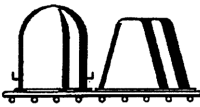
4.1.1 Automaattisesti tapahtuva vedenpoisto altaasta (lisätoiminto)

1. Paina kyseistä sivussa olevaa kytkintä ja valitse vedenpoisto-ohjelma (vastaava merkkivalo syttyy).
2. Paina kyseistä sivussa olevaa kytkintä ja kone poistaa altaassa olevan veden automaattisesti.

4.2 LAITTEEN KÄYTTÖ

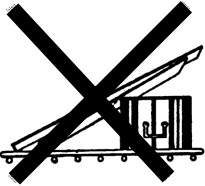


OK!



- Valmistajan ohjeita noudattaen pankaa pesualtaasen oikea määrä pesuainetta.

- Pesuaineen tulee olla matalavaahtoista ja teolliseen pesuun tarkoitettua.



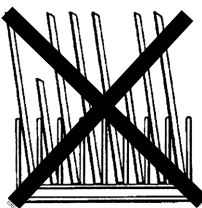
OK!



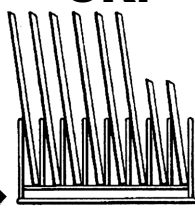
- Älkää upottako paljaita käsiä pesuveteen, asettakaa kupit ja lasit alassuin koreihin. Asettakaa lautaset niille tarkoitettuun tukikannattimilla varustettuun koriin sisäpinta ylöspäin.

- Asettakaa aterimet ja kahvilusikat kahva alaspäin.

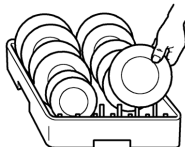
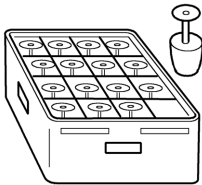
- Älkää panko hopeisia ja teräksisiä aterimia samaan aterinkoriin. Siitä saattaa aiheutua hopean tummuminen ja mahdollisesti ruostumattoman teräksen syöpyminen. Milloin vain mahdollista, peskää lasit ja lasilautaset ensimmäisinä.



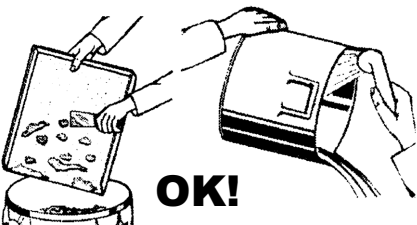
OK!



- Käyttäkää erityisiä koreja, jotka on vartavasten suunniteltu erityyppisille astioille (lautaset, lasit, kupit, aterimet jne.) Säästääksenne pesuainetta ja sähköä, peskää vain täysiä korillisia kuitenkin täyttämättä niitä liian täyteen. Vältä panemasta astoita päällekkäin.

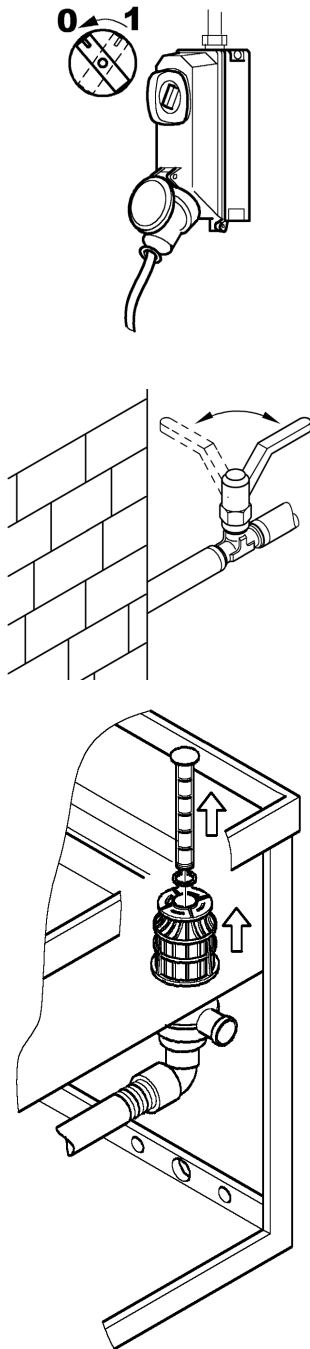


Vähentääksenne mahdollisimman paljon laitteelle suoritettavia huoltotoimia, **SUOSITTELEMME ESIPESUN SUORITTAMISTA** lautasille. Sähköpumpun suodatinta mahdollisesti osittain tukkivien ja siten laitteen tehoa heikentävien ruuan tähteiden, sitruunan kuorien, hammastikkujen, oliivin kivien jne. poistaminen parantaa oleellisesti lopputuloksen laatua.



OK!

On suositeltavaa pestä astiat ennen kuin ruuan tähteet ennättävät kuivua niiden pinnalle. Mikäli astioissa on kovettuneita ruokatahroja, on syytä suorittaa astioiden liotus ennen astioiden ja aterimien panemista koneeseen.



4.3 KÄYTÖN JÄLKEEN

- Poistaa painetta koneesta virrankatkaisutoiminnalla
- Avaa luukku ja nosta ulos kori jossa puhtaat astiat ovat.
- Poistaa altaan vesi nostaen ylisyöksykelluke. Poistopumpun mallissa noudatetaan selitettyä toimitusta " Käyttö ohjeen " pykälässä.
- Irroittaa päävirrankatkaisin koneesta.
- Sulkea sulkuventtiili hydraulisen yhteyden takia.
- Poistaa suodattimet, puhdistaa ne juoksevassa vedessä nailon harjalla.
- Ottaa huomioon ettei saa tippua poistopumppuun likaista jätettä puhdistettaessa altaan sisällä pohjalla devan poistopumpun suodatinta. Puhdistaa allas hillityllä veden heitolla. Pestä ulkopinnat kune ovat kylmiä, ei hiomistuoteilla vaan erikoisesti valmistetuilla tuoteilla teräksen kunnossa pitämiseen.

HUOMAUTUS: Ei saa pestä konetta suora heitoilla tai korkealla paineella koska mahdolliset tunkeutumiset sähkö osille voivat vahingoittaa koneen toimintaa ja jokaista turvasysteemiä, seuraksena on takuun menetys

LUKU 5 KUNNOSAPITO

5.1 YLEISTÄ

Astianpesukoneet joissa on astiarata on suunniteltu siten että huolto olisi mahdollisimman yksinkertaista.

Seuraavia ohjeita seuraamalla voi pidentää pesukoneen käyttöikää ja häiriövapaata toimintaa.

astianpesukone on syytä pitää puhtaana ja osat järjestyksessä

on vältettävä tilapäisiä, hätäisiä korjaustoimenpiteitä

Kausittaiset huollot on syytä suorittaa tunnollisestilaitteen osat on tarkastettava säännöllisesti jotta mahdolliset häiriöihin johtavat ongelmat voidaan paikallistaa ja ryhtyä toimenpiteisiin.

Ennen puhdistustoimintaa irroitetaan sähkövirta koneesta.

5.2 MÄÄRÄAIKAINEN HUOLTO (suoritettava vähintään joka 20. päivä)

helpotaakseen seuraavia toimituksia voi ottaa pois korikantajan kehyksen omasta paikastaan.

- Purkaa ylä- ja alahuhtelun vipu ruuvaten auki kiinnitys.
- Kiertää auki ja puhdistaa kaikki suihkusuuttimet ja asentaa ne jälleen paikalleen.
- Purkaa ylä- ja alapesun vipu ruuvaten auki huuhtelun tappi. Puhdistaa ja huhdella ne.
- Irrottaa pesupumpun suodatin. Pestä ja huhdella suodatin.
- Tämän jälkeen puhdistaa erittäin huolellisesti pesuallas.
- Jättää laitteen kansi auki koko ajaksi jolloin laite on käyttämättömänä.
- Veden sisältämien kalkkisuolojen ja magnesiumin johdosta, laitteen oltua toiminnassa jonkin aikaa, käytetyn veden kovuudesta riippuen lämmittimen altaan ja putkiston sisäosiin muodostuu kalkkikarstaa, joka saattaa haitata laitteen asianmukaista toimintaa.
- Tästä syystä on tarpeen ajoittain suorittaa kalkkikarstan poisto, joka suositellaan annettavaksi teknisesti ammattitaitoisen henkilökunnan suoritettavaksi.
- Mikäli laite on poissa käytöstä pitkiä aikoja voidelkaa teräsosat vaseliiniöljyllä.

Mikäli on olemassa jäätyksen vaara, antakaa teknisesti ammattitoisen henkilökunnan tyhjentää vesi lämmittimestä ja pesupumpusta.



- Laitteen toimintahäiriön tai vikojen sattuessa, kääntykää yksinomaan laitevalmistajan tai sen myyjäliikkeen valtuuttaman laitekorjaamon.

LUKU 6 HÄVITTÄMINEN

6.1 ASTIANPESUKONEEN HÄVITTÄMINEN

Astianpesukone ei vaadi erityistoimenpiteitä hävittämisen yhteydessä.

ΠΙΝΑΚΑΣ ΠΕΡΙΕΧΟΜΕΝΩΝ

ΚΕΦ. 1 ΕΙΣΑΓΩΓΗ	123
ΚΕΦ. 2 ΕΓΚΑΤΑΣΤΑΣΗ.....	123
2.1 ΜΕΤΑΚΙΝΗΣΗ ΚΑΙ ΑΠΟΣΥΣΚΕΥΑΣΙΑ.....	123
2.2 ΗΛΕΚΤΡΙΚΗ ΣΥΝΔΕΣΗ.....	124
2.3 ΥΔΡΑΥΛΙΚΗ ΣΥΝΔΕΣΗ.....	124
2.4 ΣΥΝΔΕΣΗ ΣΤΗ ΓΡΑΜΜΗ ΑΠΟΧΕΤΕΥΣΗΣ.....	125
2.5 ΡΥΘΜΙΣΕΙΣ ΚΑΙ ΕΛΕΓΧΟΙ.....	125
2.6 ΣΥΣΚΕΥΗ ΔΟΣΟΛΟΓΙΑΣ ΓΥΑΛΙΣΤΙΚΟΥ	125
2.7 ΑΠΟΡΡΥΠΑΝΤΙΚΟ.....	126
ΚΕΦ. 3 ΣΥΣΤΑΣΕΙΣ ΑΣΦΑΛΕΙΑΣ	126
3.1 ΥΠΟΛΟΙΠΟΜΕΝΟΙ ΚΙΝΔΥΝΟΙ ΚΑΙ ΠΡΟΕΙΔΟΠΟΙΗΣΕΙΣ.....	126
3.2 ΔΙΑΤΑΞΕΙΣ ΑΣΦΑΛΕΙΑΣ	127
ΚΕΦ. 4 ΧΡΗΣΗ ΤΟΥ ΜΗΧΑΝΗΜΑΤΟΣ.....	128
4.1 ΠΕΡΙΓΡΑΦΗ ΤΩΝ ΛΕΙΤΟΥΡΓΙΩΝ.....	128
4.2 ΧΡΗΣΗ ΤΗΣ ΣΥΣΚΕΥΗΣ.....	129
4.3 ΕΝΕΡΓΕΙΕΣ ΚΑΤΑ ΤΟ ΤΕΛΟΣ ΤΗΣ ΕΡΓΑΣΙΑΣ	130
ΚΕΦ. 5 ΣΥΝΤΗΡΗΣΗ.....	131
5.1 ΓΕΝΙΚΟΙ ΚΑΝΟΝΕΣ.....	131
5.2 ΠΕΡΙΟΔΙΚΗ ΣΥΝΤΗΡΗΣΗ (πρέπει να γίνεται το λιγότερο κάθε 20 ημέρες).....	131
ΚΕΦ. 6 ΔΙΑΛΥΣΗ	132
6.1 ΔΙΑΛΥΣΗ ΤΗΣ ΣΥΣΚΕΥΗΣ.....	132

ΚΕΦ. 1 ΕΙΣΑΓΩΓΗ

Οι υποδείξεις που περιέχονται στο παρόν εγχειρίδιο προσφέρουν σημαντικές ενδείξεις που αφορούν την ασφάλεια στις διάφορες φάσεις εγκατάστασης, χρήσης και συντήρησης.

Ο χειριστής πρέπει υποχρεωτικά να λάβει γνώση από το παρόν εγχειρίδιο πριν εκτελέσει οποιαδήποτε ενέργεια σχετική με την μετακίνηση, την εγκατάσταση, τη χρήση, τη συντήρηση και τη θέση εκτός λειτουργίας της συγκεκριμένης συσκευής. Κατά συνέπεια το παρόν πρέπει να φυλάσσεται ακέραιο σε ασφαλές μέρος με τη δυνατότητα να υπάρχουν αντίγραφα για τη συχνή συμβούλευσή του.

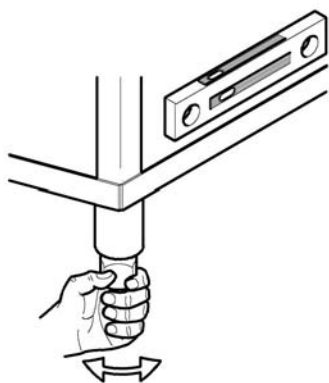
ΚΕΦ. 2 ΕΓΚΑΤΑΣΤΑΣΗ

2.1 ΜΕΤΑΚΙΝΗΣΗ ΚΑΙ ΑΠΟΣΥΣΚΕΥΑΣΙΑ



- Η μετακίνηση πρέπει να πραγματοποιηθεί με απόλυτη φροντίδα χρησιμοποιώντας ανυψωτήρα.
- Εξακριβώστε την ακεραιότητα της συσκευής και σε περίπτωση που υπάρχουν εμφανείς ζημιές πληροφορείστε αμέσως τον πωλητή και τον μεταφορέα που εκτέλεσε την μεταφορά.
- Μεταφέρετε τη συσκευή στον προβλεπόμενο για την εγκατάσταση χώρο απελευθερώνοντάς την από τη συσκευασία της.

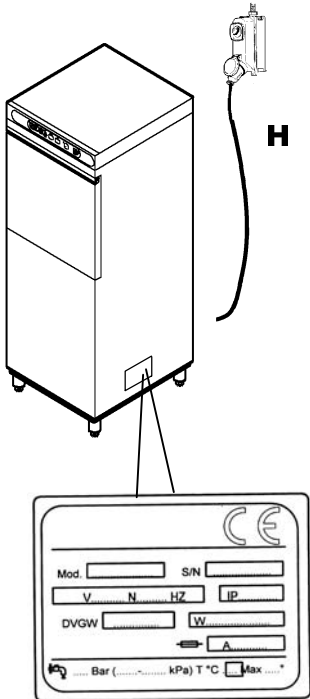
Φυλάσσετε τα υλικά συσκευασίας (πλαστικές σακούλες, πολυουθεράνη, καρφιά κλπ.) μακριά από τα παιδιά γιατί θεωρούνται επικίνδυνα γι' αυτά.



- Η εγκατάσταση πρέπει να πραγματοποιηθεί σύμφωνα με τις οδηγίες του κατασκευαστή και από ειδικά εκπαιδευμένο προσωπικό.
- Η συσκευή αυτή είναι κατάλληλη μόνο για μόνιμη εγκατάσταση.
- Φροντίστε ιδιαίτερα την τέλεια ισοστάθμιση της συσκευής ρυθμίζοντας τα πόδια.
- Η φύση του δαπέδου πρέπει να είναι κατάλληλη για το συνολικό βάρος της συσκευής.
- Ακολουθώντας τις υποδείξεις που αναγράφονται στο σχήμα εγκατάστασης της συσκευής προδιαθέστε, στο χώρο εγκατάστασής της, τα δίκτυα ηλεκτρικής τροφοδοσίας, παροχής νερού και αποχέτευσης.



2.2 ΗΛΕΚΤΡΙΚΗ ΣΥΝΔΕΣΗ



1. Η σύνδεση στο ηλεκτρικό δίκτυο πρέπει να πραγματοποιηθεί χρησιμοποιώντας έναν γενικό διακόπτη (H) Πρέπει να είναι με επαφές παντός τύπου, ούτως ώστε να διακόπτει όλες τις επαφές, συμπεριλαμβάνοντας και την ουδέτερη, να έχει ελάχιστη απόσταση μεταξύ των επαφών 3mm., με θερμομαγνητικό μηχανισμό ασφαλείας ή να είναι συνδεδεμένος με εύτηκτα ικανά να αντέξουν το μέγιστο ρεύμα που αναγράφεται στην πινακίδα.
2. Πρέπει να βεβαιωθείτε ότι η τάση και η συχνότητα αντιστοιχούν με εκείνες που αναγράφονται στην πινακίδα με τις τεχνικές προδιαγραφές που βρίσκεται τοποθετημένη στη δεξιά πλευρά της συσκευής.
3. Ένα ικανό δίκτυο γείωσης, που ανταποκρίνεται στους ισχύοντες κανονισμούς πρόληψης, αποτελεί εγγύηση για την ασφάλεια του χειριστή και της συσκευής.
4. Απαγορεύεται αυστηρά η χρήση φίς προσαρμογής, πολλαπλής πρίζας και μπαλαντέζας.
5. Η συσκευή πρέπει να είναι συνδεδεμένη και με ένα σύστημα με ίδια ισχύ, του οποίου η σύνδεση γίνεται με βίδες ενδεδειγμένο με το σ ύμβολο . Ο αγωγός της ίδιας ισχύος πρέπει να έχει μια τομή 10 χιλιοστών.



Το χορηγούμενο καλώδιο τροφοδοσίας πρέπει να αντικαθιστάται μόνο με ένα άλλο καλώδιο που να έχει την ίδια τομή τύπου H07RN-F.

Για περισσότερες πληροφορίες σας συνιστούμε να συμβουλευθείτε το συνημμένο ηλεκτρικό σχεδιάγραμμα.

2.3 ΥΔΡΑΥΛΙΚΗ ΣΥΝΔΕΣΗ

Προδιαθέστε τον χώρο εγκατάστασης σύμφωνα με το συνημμένο υδραυλικό σχεδιάγραμμα.

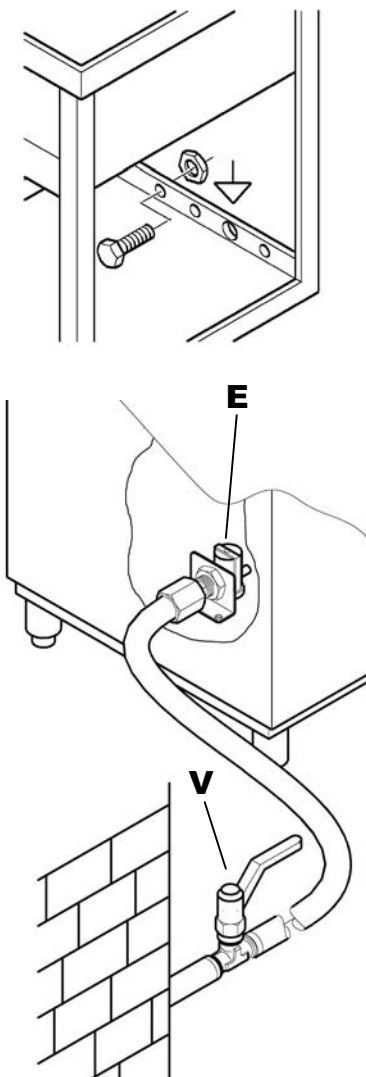
Προτού συνδέσετε τη συσκευή βεβαιωθείτε ότι μεταξύ του δικτύου τροφοδοσίας νερού και της συσκευής έχει τοποθετηθεί μια συρταρωτή βαλβίδα ασφαλείας που επιτρέπει τη διακοπή τροφοδότησης σε περίπτωση ανάγκης ή σε περίπτωση επισκευής.

Χρησιμοποιώντας έναν εύκαμπτο σωλήνα (σπιράλ) συνδέστε την ηλεκτροβαλβίδα παροχής (E) στη βαλβίδα ασφαλείας (V), κατόπιν βεβαιωθείτε ότι η παροχή τροφοδοσίας δεν είναι λιγότερη από τα 20 λ/μν.

Πρέπει να βεβαιωθείτε ότι η θερμοκρασία και η πίεση του νερού τροφοδοσίας αντιστοιχούν με εκείνες που αναγράφονται στην πινακίδα με τις τεχνικές προδιαγραφές.

Σε περίπτωση που η σκληρότητα του νερού προκύπτει να είναι μεγαλύτερη από εκείνη που αναγράφεται στην πινακίδα, σας συνιστούμε να τοποθετήσετε έναν αποσκληρυντή πριν από την ηλεκτροβαλβίδα τροφοδότησης της συσκευής.

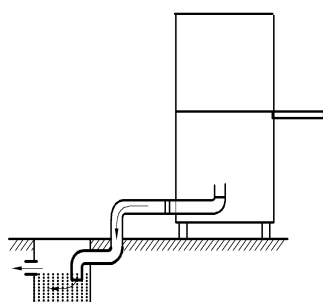
Σε περίπτωση που υπάρχουν υψηλές συμπυκνώσεις μεταλλικών ιζημάτων στο νερό, σας συνιστούμε να τοποθετήσετε μια εγκατάσταση αφαίρεσης των μεταλλικών ιζημάτων κατά τρόπο ώστε να επιτυγχάνεται η σκληρότητα που αναφέρεται στον κάτωτι πίνακα.



	Ιδιότητες		Από	Μέχρι
Σκληρότητα	Γαλλικοί βαθμοί	f	5	10
	Γερμανικοί βαθμοί	°dH	4	7'5
	Αγγλικοί βαθμοί	°e	5	9,5
	Μέρη στο εκατομμ	ppm	70	140
Μεταλλικά Ιζήματα	Μέγιστο	mg/l	300/400	



2.4 ΣΥΝΔΕΣΗ ΣΤΗ ΓΡΑΜΜΗ ΑΠΟΧΕΤΕΥΣΗΣ



- Το άδειασμα του κάδου συμβαίνει λόγω βαρύτητας, οπότε η αποχέτευση πρέπει να βρίσκεται σε χαμηλότερο επίπεδο σχετικά με τη βάση της συσκευής.
- Το στόμιο εκκένωσης, χρησιμοποιώντας έναν εύκαμπτο σωλήνα, πρέπει να συνδεθεί με ένα φρεάτιο ή με σιφώνι στο δάπεδο.

Οι διαστάσεις της αποχέτευσης της συσκευής περιγράφονται στο σχεδιάγραμμα εγκατάστασης.

2.5 ΡΥΘΜΙΣΕΙΣ ΚΑΙ ΕΛΕΓΧΟΙ



Η θερμοκρασία της δεξαμενής πλύσης ρυθμίζεται από ένα σταθερό θερμοστάτη, στους 55 °C. Αυτή η θερμοκρασία ευνοεί τη σωστή εκμετάλλευση των χημικών χαρακτηριστικών των απορρυπαντικών για βιομηχανικό πλυνσιμο.

Η θερμοκρασία του μπόιλερ, ρυθμισμένη με ένα σταθερό θερμοστάτη είναι γύρω στους 85 °C.



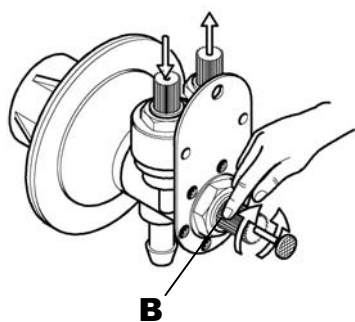
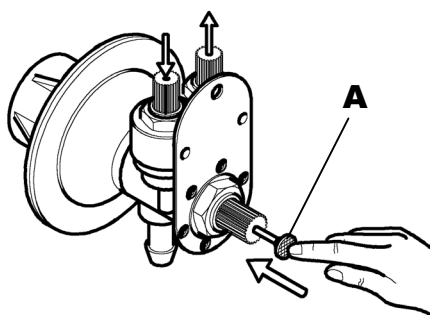
2.6 ΣΥΣΚΕΥΗ ΔΟΣΟΛΟΓΥΑΛΙΣΤΙΚΟΥ

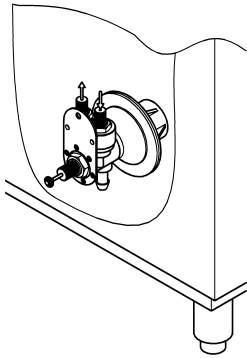
Πριν εκτελέσετε τη ρύθμιση ο μετρητής και ο αντίστοιχος σωληνίσκος τροφοδότησης πρέπει να πληρωθούν χρησιμοποιώντας το κουμπί πλήρωσης (A).

Για να εκτελέσετε τη ρύθμιση πρέπει να ενεργήσετε στον κρίκο (B) που βρίσκεται στο κεντρικό μέρος του μετρητή, και στρέφοντάς τον κατά τη φορά του ρολογιού ή αντίστροφα επιτυγχάνετε αντίστοιχα τη μείωση ή την αύξηση της παρεχόμενης ποσότητας.

Ο εγχυτήραφ δεν πρέπει να λειτουργεί ή να μένει στεγνόφ

Μια υπερβολική δόση γαλιστικού δημιουργεί μπλέ γραμμές πάνω στα α σκεύη και σαπουνάδα στη δεξαμενή πλύσης.





Σκευή που παρουσιάζουν σταγόνες νερού και αργούν να στεγνώσουν, δείχνουν αντίθετα, ότι η ποσότητα του γυαλιστικού είναι ανεπαρκής.

7 cm του σωληνα=1 gr προιοντος



2.7 ΑΠΟΡΡΥΠΑΝΤΙΚΟ

Συσκευή χωρίς μετρητή απορρυπαντικού

Θέστε το απορρυπαντικό στον κάδο σύμφωνα με τις δόσεις που συμβουλεύονται από τον κατασκευαστή. Η ποσότητα αυτή, ανάλογα με το είδος του απορρυπαντικού, μπορεί να διακυμαίνεται ανάμεσα στα 2 και 4 γραμμ./λίτρ. περιεχόμενου στον κάδο νερού. Το απορρυπαντικό πρέπει να προστίθεται κάθε 5 πλυσίματα περίπου στην ποσότητα που συμβουλεύεται από τον κατασκευαστή του απορρυπαντικού.

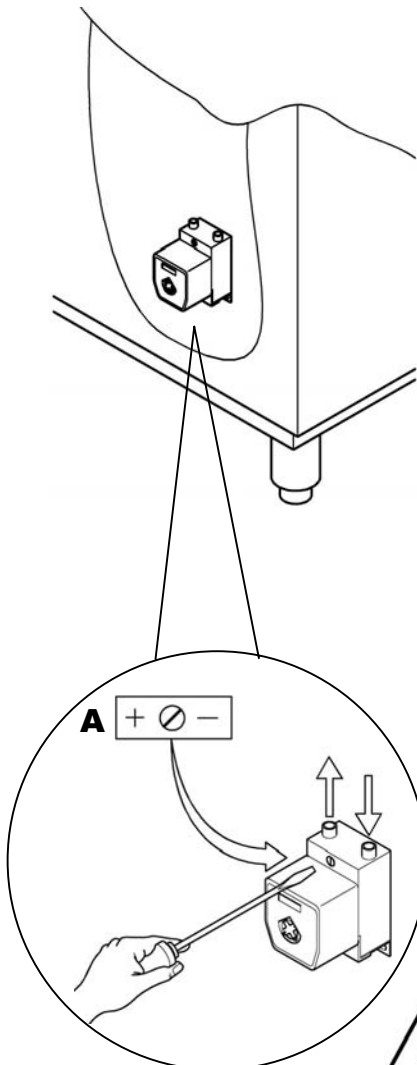
Οι ανωτέρω αναφερόμενες ποσότητες ισχύουν για μια μεσαία σκληρότητα νερού στους 5-10°F (γαλλικοί βαθμοί).

Συσκευή με εκχυτήρα απορρυπαντικού EV 400

_RUQMISEIS

Ενεργώντας λοιπόν στο τρίμμερ (A) προσδιορίζεται ο χρόνος λειτουργία/τερματισμού της λειτουργίας και κατά συνέπεια η ποσότητα απορρυπαντικού.

- Γυρίζοντας το τρίμμερ με φορά ίδια με τους δείκτες του ρολογιού και αντίθετα θα έχουμε αντίστοιχα τη μείωση ή την αύξηση της ποσότητας διανομής.
- Για να ολοκληρωθούν οι ρυθμίσεις θα πρέπει να ληφθούν υπόψη τα αποτελέσματα μερικών πλυσιμάτων.



PROSOCH!

Η στάθμη στο δοχείο δεν πρέπει να κατέβει μέχρι να αδειάσει τελείως ούτε να συμπληρωθεί με διαβρωτικά ή ρυπαρά υλικά.

Η εγγύηση δεν καλύπτει ζημιές που προκλήθηκαν από λανθασμένη χρήση του δοσομετρητή.

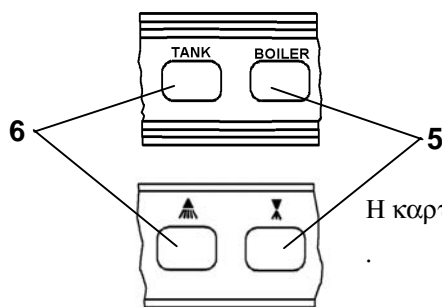
ΚΕΦ. 3 ΣΥΣΤΑΣΕΙΣ ΑΣΦΑΛΕΙΑΣ



3.1 ΥΠΟΛΟΙΠΟΜΕΝΟΙ ΚΙΝΔΥΝΟΙ ΚΑΙ ΠΡΟΕΙΔΟΠΟΙΗΣΕΙΣ

- Μην ανοίγετε ποτέ απότομα την πόρτα της συσκευής, αν δεν έχει τελειώσει ο κύκλος πλυσίματος.
- Μην βυθίζεσαι ποτέ γυμνά τα χέρια σας στο νερό πλύσης.
- Μην αποσυναρμολογείτε τα πάνελς της συσκευής αν δεν διακόψετε προηγουμένως την παροχή ρεύματος.

- Το τεχνικό προσωπικό που θα πραγματοποιήσει την εγκατάσταση και την ηλεκτρική σύνδεση, πρέπει να εκπαιδεύσει τον χειριστή σχετικά με τη λειτουργία της συσκευής και τα πιθανά μέτρα ασφαλείας που πρέπει να τηρηθούν.
- Το τεχνικό προσωπικό που θα κάνει την εγκατάσταση πρέπει να δέξει στο χειριστή της συσκευής με πρακτικό τρόπο πώς χρησιμοποιείται η συσκευή και θα πρέπει να του αφίσει και γραπτές οδηγίες που θα δοθούν μαζί με την συσκευή.
- Αυτή η συσκευή είναι προορισμένη μόνο για τη χρήση για την οποία κατασκευάστηκε. Οποιαδήποτε άλλη χρήση θεωρείται ακατάλληλη και για αυτό επικίνδυνη.
- Η συσκευή δεν πρέπει να χρησιμοποιείται από ανειδίκευτο προσωπικό.
- Μην χρησιμοποιείται ΠΟΤΕ την συσκευή χωρίς προστασίες (μικροεπαφές, ταμπλώ κτλ.) προκατασκευασμένες από τον κατασκευαστή, αυτό μπορεί να γίνει μόνο με την παρουσία ενός ειδικευμένου τεχνικού που θα πάρει τις απαραίτητες προφυλάξεις.
- Μην χρησιμοποιείται ΠΟΤΕ την συσκευή για να πλύνεται αντικείμενα τύπου, μεγέθους ή υλικού που δεν ανταποκρίνονται στις οδηγίες του κατασκευαστή.
- Η τυχόν επιδιόρθωση του προϊόντος πρέπει να γίνει μόνο από την εταιρεία κατασκευής ή από ένα εξουσιοδοτημένο κέντρο χρησιμοποιώντας αποκλειστικά γνήσια ανταλλακτικά.
- Η ελλιπή εφαρμογή των υπεράνω θίγει σε κίνδυνο την ασφάλεια της συσκευής.
- Η συσκευή δεν πρέπει να μένει με τάση όταν δεν χρησιμοποιείται.
- Μην πλησιάζετε μαγνητικά αντικείμενα στο μηχάνημα.
- Μην χρησιμοποιείτε το μηχάνημα χωρίς τα φίλτρα στο δεξαμενή.



Η καρτα είναι σε θέση να αναγνωρίζει διαφορες καταστασεις βλαβης.

3.2 ΔΙΑΤΑΞΕΙΣ ΑΣΦΑΛΕΙΑΣ

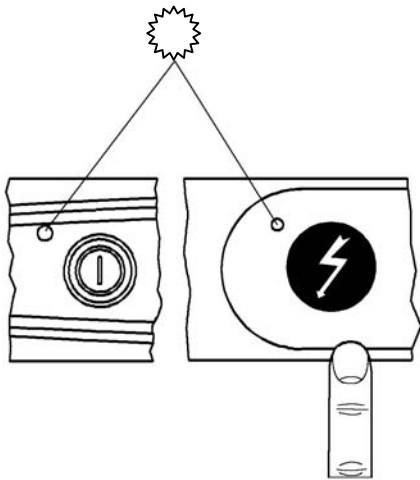
Οι δυσλειτουργίες προβαλονται ευκολα ,απο τα μηνυματα της οθονης (5 και 6) και απο την διακοπη των διαφορων εν ενεργεια λειτουργιων,μονο στις περιπτωσεις (1 και 3) που προβαλονται παρακατω.

ΠΡΟΣΟΧΗ! Το κλεισιμο και η εν συνεχεια εκκινηση,του μηχανηματος,"σβηνει" την ειδοποιηση, η οποια ακολουθως θα επαναπαρουσιασει εαν δεν εχει λυθει το προβλημα.

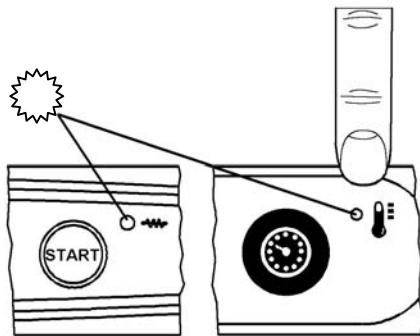
Εικονιζομενο μηνυμα στην οθονη

	ΔΙΑΠΙΣΤΩΜΕΝΗ ΑΝΩΜΑΛΕΙΑ :	ΛΕΚΑΝΗ (6) 	ΛΕΒΗΤΑΣ (5) 
1	ΑΠΟΤΥΧΕΣ ΓΕΜΙΣΜΑ Η ΥΠΕΡΧΕΙΛΙΣΗ ΝΕΡΟΥ ΣΤΗ ΛΕΚΑΝΗ (εαν εχει περασει χρονος μεγαλυτερος απο 10', δεν εχει καλυφθει η σωστη σταθμη στη λεκανη)	E _r	04
2	ΒΛΑΒΗ ΑΝΙΧΝΕΥΤΩΝ ΛΕΒΗΤΑΣ (εαν ο ανιχνευτης δεν ειναι σωστα συνδεδεμενος η εαν ειναι κατεστραμενος) (εαν ο ανιχνευτης ειναι βραχυκυκλωμενος η εαν ειναι κατεστραμενος)	E _r E _r	07 08
3	ΥΠΕΡΘΕΡΜΑΝΣΕΙΣ (Υπερβολικη θερμοκρασια λεβητα η λεκανης). (Επεμβαση θερμοστατη ασφαλειας).	H1 SA	H1 FE
4	ΒΛΑΒΗ ΑΝΙΧΝΕΥΤΩΝ ΛΕΚΑΝΗ (εαν ο ανιχνευτης δεν ειναι σωστα συνδεδεμενος η εαν ειναι κατεστραμενος) (εαν ο ανιχνευτης ειναι βραχυκυκλωμενος η εαν ειναι κατεστραμενος)	E _r E _r	05 06
5	ΞΕΒΓΑΛΜΑ (Το μπόιλερ δε γέμισε.)	E _r	09
6	ΛΕΒΗΤΑΣ (Βλάβη της αντίστασης του θερμοσίφωνα) (Υπερβολικός χρόνος θέρμανσης)	E _r	03

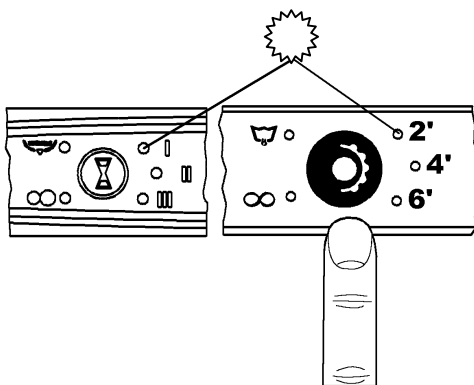
1



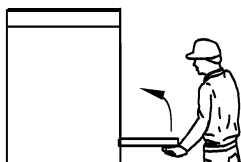
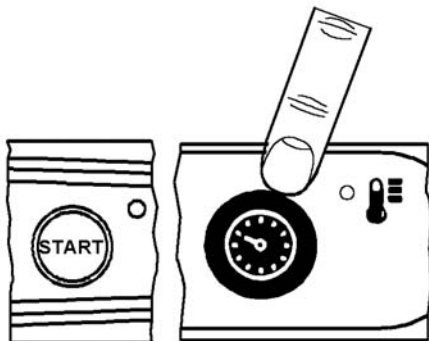
2



3



4



Κεφ. 4 ΧΡΗΣΗ ΤΟΥ ΜΗΧΑΝΗΜΑΤΟΣ

4.1 ΠΕΡΙΓΡΑΦΗ ΤΩΝ ΛΕΙΤΟΥΡΓΙΩΝ

1. Για να ενεργοποιήσετε το μηχάνημα πιεστε το ενδεικνυόμενο πληκτρο στο πλαι. (αναβει η αντιστοιχη ενδειξη).

2. Όταν η ενδειξη φωτισθει, το μηχάνημα είναι ετοιμο προς χρηση. (Κόκκινο=σε θέρμανση).

3. Πιεστε το ενδεικνυόμενο πληκτρο για να επιλεξετε τον κύκλο.

I (2')

II (4')

III (6')

Γρήγορος ος κύκλος

Μεσά ος κύκλος

Μεγάλος ος κύκλος

Όταν η ενδεικτική λυχνία γίνεται πράσινη, η συσκευή είναι έτοιμη για χρήση. (κόκκινο = Προθέρμανση).

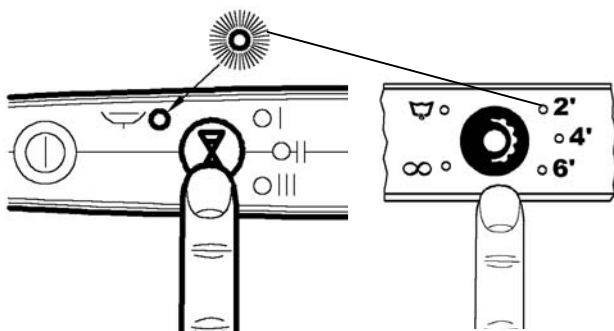
Σημείωση: Επιλέξτε το πρόγραμμα "∞" για να πραγματοποιήσετε παρατεταμένες πλυσεις.

4. Κλείστε την πόρτα και πατήστε το κουμπί που υποδεικνύεται εδώ δίπλα: αρχίζει αυτόματα η λειτουργία της συσκευής.

Για τα επόμενα πλυσίματα, ξαναπατήστε το κουμπί.

ΣΗΜΑΝΤΙΚΟ: Για να διακοψετε την πλυση η "∞", πατήστε το πληκτρο. (για να εκτελεσετε νεοπρογραμμα πλυσης, επαναλαβατε την διαδικασια αρ.3)

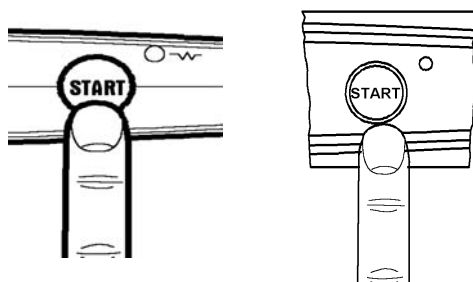
1



4.1.1 Αυτοματη αποχετευση του νερου τη λεακνη (προαιρετικο)

1. Πιεστε το ενδεικνυομενο πληκτρο στο πλαι και επιλεξτε το προγραμμα αποχετευσης. (αναβει η αντιστοιχη ενδειξη).
2. Πιεστε το ενδεικνυομενο πληκτρο στο πλαι και το μηχανημα πραγματοποιει αυτοματα την αποχετευση του νεροου στη λεακνη.

2



4.2 ΧΡΗΣΗ ΤΗΣ ΣΥΣΚΕΥΗΣ

- Απορρυπαντικό: οι οδηγίες του κατασκευαστή, βάλτε την κατάλληλη ποσότητα απορρυπαντικού στη δεξαμενή πλύσης.

- Το απορρυπαντικό πρέπει να είναι βιομηχανικού τύπου για δημιουργία λίγης σαπουνάδας.

- Μην βάζετε γυμνά χέρια στην αλισίβα της πλύσης, τοποθετήστε τα φλυτζάνια και τα ποτήρια αναποδογυρισμένα στα καλάθια. Τοποθετήστε τα πιάτα στο ειδικό καλάθι με την εσωτερική επιφάνεια γυρισμένη προς τα πάνω.

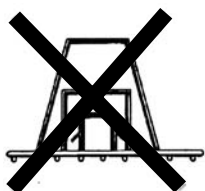
- Τοποθετήστε τα μαχαιροπήρουνα και τα κουταλάκια του καφέ προς τα κάτω.

- Μην τοποθετήτε στο ίδιο καλάθι, ασημένια και ανοξείδωτα μαχαιροπήρουνα. Σαν αποτέλεσμα θα έχετε να σκουρίνει το ασημί και μια πιθανή διάβρωση του ανοξείδωτου ατσάλιου.

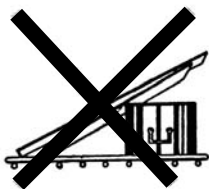
- Χρησιμοποιείται τα ειδικά καλάθια που είναι κατασκευασμένα σκόπιμος για διαφορετικά είδη σκευών (πιάτα, ποτήρια, φλυτζάνια, μαχαιροπήρουνα κλπ.). Για την εξοικονόμηση απορρυπαντικού και ηλεκτρικής ενέργειας, πλένετε μόνο γεμάτα καλάθια, χωρίς όμως να φορτώνεται. Αποφεύγεται κάθε υπέρθεση σκευών.

Για να περιορίσετε, όσο το δυνατόν περισσότερο, την συντήρηση **ΣΥΝΙΣΤΟΥΜΕ ΜΙΑ ΠΡΟΣΕΚΤΙΚΗ ΚΑΘΑΡΙΟΤΗΤΑ** των σκευών. Η απομάκρυνση υπολοιμάτων τροφών, λεμονόφλουδων, οδοντογλυφύδων, κουκουτσιών από ελιές κλπ. που θα μπορούσαν να βουλώσουν εν μέρει το φίλτρο της ηλεκτροβαλβίδας, μειώνοντας την ικανότητα πλύσης, καλύτερα ουσιαστικά την ποιότητα του τελικού αποτελέσματος.

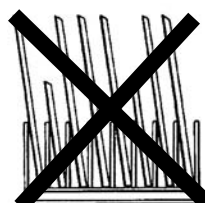
Συμβουλευόμαστε να πλύνετε τα σκεύη πριν τα υπολείματα τροφών κολλήσουν πάνω στην επιφάνεια του. Σε περίπτωση που πάνω στα σκεύη υπάρχουν υπολείματα ξεραμένων τροφών είναι καλό να μείνουν για λίγο διάστημα μέσα στο νερό για μούλιασμα πριν τοποθετηθούν στη συσκευή.



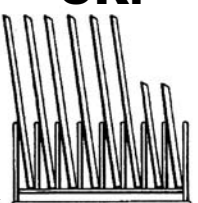
OK!



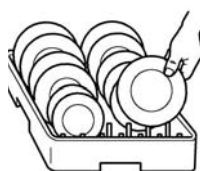
OK!



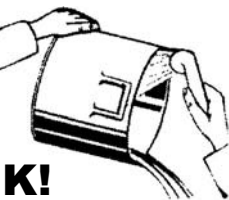
OK!



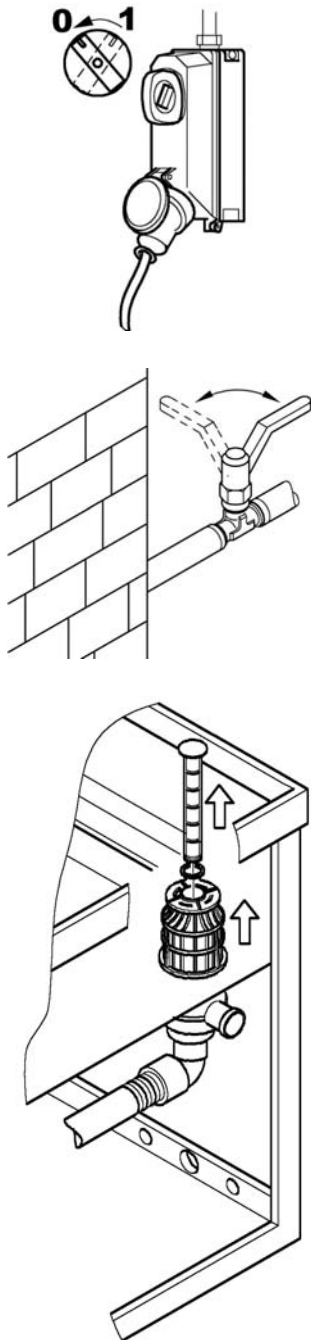
OK



OK!



4.3 ΕΝΕΡΓΕΙΕΣ ΚΑΤΑ ΤΟ ΤΕΛΟΣ ΕΡΓΑΣΙΑΣ



- Διακόψτε την ηλεκτρική
- Ανοίξτε την πόρτα και βγάλτε το καλάθι με τα καθαρά πιατικά.
- Αδειάστε το νερό από τη δεξαμενή συγκώνοντας τον εκχυλινστήρα. Για το μοντέλλο εφοδιασμένο με αντλία αδειάσματος ακολουθήστε τις ενέργειες αναφερόμενες στην παράγραφο "Οδηγίες για τη χρήση".
- Αποσυνδέστε τον γενικό διακόπτη που βρίσκεται πάνω (ή πίσω) στη συσκευή.
- Κλείστε την βαλβίδα-ρολόι της συσκευής . Βγάλτε τα φίλτρα, πλύντε τα κάτω από τρεχούμενο νερό με μια βούρτσα από νάυλον.
- Προσέξτε να μην ρίξετε υπολείματα τροφών που βρίσκονται στον πάτο του φίλτρου της αντλίας αδειάσματος, στο εσωτερικό της δεξαμενής . Καθαρίστε την δεξαμενή με νερό περιορισμένης πίεσης . Πλύνετε τις εξωτερικές επιφάνειες , όταν είναι κρύες με προϊόντα που δεν είναι όξινα και είναι κατάλληλα για τη συντήρηση του ατσαλιού.

ΠΡΟΣΟΧΗ: Μην πλένετε την συσκευή με νερό υψηλής πίεσης γιατί είναι δυνατόν να γίνουν εισχωρήσεις στα ηλεκτρικά στοιχεία και να προδικάσουν την κανονική λειτουργία της συσκευής και του κάθε συστήματος ασφαλείας με συνέπεια την πτώση της εγγύησης .

ΚΕΦ. 5 ΣΥΝΤΗΡΗΣΗ**5.1 ΓΕΝΙΚΟΙ ΚΑΝΟΝΕΣ**

Οι συσκευές με σύστημα έλξης είναι σχεδιασμένες για να περιορίζουν στο ελάχιστο τις ανάγκες συντήρησης. Οι κανόνες που ακολουθούν πρέπει να τηρούνται σε όλες τις περιπτώσεις για μια μακροπρόθεσμη εγγύηση της λειτουργίας της συσκευής χωρίς απρόοπτα.

Σε κάθε περίπτωση πρέπει να τηρούνται μερικοί γενικοί κανόνες για να διατηρηθεί η συσκευή σε τέλεια κατάσταση κίνησης :

- διατηρήστε την συσκευή καθαρή και σε τάξη:
- αποφεύγεται να γίνονται συστηματικές οι προσωρινές επιδιορθώσεις ή οι επιδιορθώσεις ανάγκης.

Η αυστηρή τήρηση των κανόνων περιοδικής συντήρησης είναι πολύ σημαντικές : όλα τα όργανα της συσκευής πρέπει να ελέγχονται τακτικά για την αποφυγή πιθανών ανομαλιών, προβλέποντας μ' αυτόν τον τρόπο τον απαραίτητο χρόνο και τα μέσα για τυχόν επεμβάσεις συντήρησης.

Πριν αποφασιστεί να καθαριστεί η συσκευή διακοψτε την ηλεκτρική τροφοδοσία στη συσκευή.

5.2 ΠΕΡΙΟΔΙΚΗ ΣΥΝΤΗΡΗΣΗ(πρέπει να γίνεται το λιγότερο κάθε 20 ημέρες)

Για την διευκόλυνση των ενεργειών που ακολουθούν μπορεί αβγεία από την θέση του το πλαίσιου που κινεί το καλάθι.

- Αποσυνδέστε τους πάνω και κάτω βραχίονες ξεπλύματος .
- Ξεβιδώστε και καθαρίστε όλους τους ψεκαστήρες και ξανατοποθετήστε τους στο μέρος τους .
- Αποσυνδέστε τους πάνω και κάτω βραχίονες ξεβιδώνοντας τον στρόφειο ξεπλύματος : καθαρίστε τους και ξεπλύντε τους .
- Βγάλτε το φίλτρο αντλίας πλύσης (3) καθαρίστε το και ξεπλύντε το .
- Σ' αυτό το σημείο πλύνετε με μεγάλη προσοχή την δεξαμενή πλύσης .
- Ασήστε ανοικτή την κουκούλα της συσκευήςόλο το χρονικό διάστημα στάσης .

- Εξ αιτίας της παρουσίας αλάτων στο νερό , μετά από ένα χρονικό διάστημα χρήσης , που αλλάζει ανάλογα με τη σκληρότητα του νερού, δημιουργείτε πάνω στις εσωτερικές επιφάνειες τις δεξαμενής τοιμύλιερ και των αγωγών μια ασβεστώδεις επένδυση που μπορεί να προδικάσει την καλή λειτουργία της συσκευής .
- Γι' αυτό το λόγο πρέπει να φροντίζετε να γίνεται μια περιοδική απομάκρυνση της ασβεστώδης επένδυσης , που συμβουλεύουμε να εκτελείται από έμπειρο τεχνικό προσωπικό .
- Αν η συσκευή πρέπει να μείνει αχρησιμοποίητη για μεγάλο χρονικό διάστημα, λαδώστε τις ανοξοίδωτες επιφάνειες με λάδι βαζελίνης . Καλέστε έμπειρο τεχνικό προσωπικό για να αδειάσει το νερό από το μπόιλερ και από την αντλία πλύσης .
- Αν υπάρχει πιθανότητα δημιουργίας πάγου, καλέστε έμπειρο τεχνικό προσωπικό για να αδειάσει το νερό από το μπόιλερ και από την αντλία πλύσης .
- Σε περίπτωση κακής λειτουργίας ή ζημιών, απευθυνθείτε αποκλειστικά σε ένα τεχνικό κέντρο εξουσιοδοτημένο από τον Αντιπρόσωπο αυτού.



ΚΕΦ. 6 ΔΙΑΛΥΣΗ

6.1 ΔΙΑΛΥΣΗ ΤΗΣ ΣΥΣΚΕΥΗΣ

Στις δικές μας συσκευές δεν υπάρχουν υλικά που να απαιτούν ιδιαίτερες διαδικασίες χώνευσης .