



(NL) **RVS opzetvitrine/bereidingsvitrine met koeling**

Handleiding

(FR) **Plan de travail de comptoir de distribution / de préparation inox réfrigéré**

Mode d'emploi

(DE) **Edelstahl-Tischkühlgeräte zum Servieren**

Bedienungsanleitung

(IT) **Banchi refrigeratori per preparazione/servizio con piano di lavoro in acciaio inossidabile**

Manuale di istruzioni

(ES) **Frigoríficos para preparados / aperitivos de mostrador de acero inoxidable**

Manual de instrucciones

(PT) **Bancadas refrigeradas pizza/saladete em aço inoxidável**

Manual de instruções

(S) **Kyldiskar för servering/tillredning av rostfritt stål**

Bruksanvisning

(DK) **Anretterkøledisk af rustfrit stål**

Instruktionsvejledning

(N) **Kjøledisk av rustfritt stål med arbeidstopp for servering/tilberedning**

Brukerhåndbok

(FIN) **Tarjoilu/valmistustiskillä varustetut jääkaapit ruostumattomasta teräksestä**

Ohjekirja

UK Table of Contents

Safety Tips	1
Product Description	1
Introduction	1
Pack Contents	1
Installation	1
Fit Glass Panels	1
Operation	1
Storing Food	1
Turn On	2
Control Panel	2
Lock/Unlock the Control Panel	2
Enter the Parameter Menu	2
Alter Parameter Value	2
Parameter Descriptions	3
Manual Defrost	3
Cleaning, Care & Maintenance	4
Cleaning the Condenser	4
Troubleshooting	4
Error Messages	4
Technical Specifications	5
Electrical Wiring	5
Disposal	5
Compliance	5

NL Inhoudsopgave

Veiligheidstips	6
Productbeschrijving	6
Inleiding	6
Verpakkingsinhoud	6
Installatie	6
Plaatsen van de glaspanelen	6
Bediening	7
Opslag van levensmiddelen	7
Inschakelen	7
Bedieningspaneel	7
Bedieningspaneel vergrendelen/ontgrendelen	7
Het parametermenu openen	7
Parameterwaarde wijzigen	7
Beschrijvingen van parameters	8
Handmatig ontdooien	8
Reiniging, zorg & onderhoud	9
Reiniging van de condensor	9
Oplossen van problemen	9
Foutmeldingen	10
Technische specificaties	10
Elektrische bedrading	10
Afvalverwerking	10
Productconformiteit	10

FR Sommaire

Conseils de sécurité	11
Description du produit	11
Introduction	11
Contenu de l'emballage	11
Installation	11
Installation des parois de verre	11
Fonctionnement	12
Stockage des aliments	12
Mise en service	12
Panneau de configuration	12
Verrouillage / déverrouillage du panneau de configuration ..	12
Entrer dans le menu paramètre	12
Modification de la valeur d'un paramètre	12
Description des paramètres	13
Décongélation manuelle	14
Nettoyage, entretien et maintenance	14
Nettoyage du condenseur	14
Dépannage	14
Messages d'erreur	15
Spécifications techniques	15
Raccordement électrique	15
Mise au rebut	15
Conformité	15

DE Inhalt

Sicherheitshinweise	16
Produktbeschreibung	16
Einführung	16
Lieferumfang	16
Montage	16
Gläser einsetzen	16
Betrieb	17
Lagerung von Nahrungsmitteln	17
Einschalten	17
Bedienfeld	17
Sperrren/Entsperrren des Steuerfelds	17
Öffnen des Parameter-Menüs	17
Parameterwert ändern	17
Parameterbeschreibungen	18
Manuelles Abtauen	18
Reinigung, Pflege und Wartung	19
Reinigen des Kondensators	19
Störungssuche	19
Fehlermeldungen	20
Technische Spezifikationen	20
Elektroanschlüsse	20
Entsorgung	20
Konformität	20

IT Indice

Suggerimenti per la sicurezza	21
Descrizione dei prodotti	21
Introduzione	21
Contenuto dell'imballaggio	21
Installazione	21
Montaggio dei pannelli in vetro (solo G623)	21
Funzionamento	22
Conservazione dei cibi	22
Accensione	22
Pannello di controllo	22
Blocco/sblocco del pannello di controllo	22
Accesso al menu dei parametri	22
Modifica dei valori dei parametri	22
Descrizioni dei parametri	23
Sbrinamento manuale	23
Pulizia e manutenzione	24
Pulizia del condensatore	24
Risoluzione dei problemi	24
Messaggi di errore	25
Specifiche tecniche	25
Cablaggi elettrici	25
Smaltimento	25
Conformità	25

ES Índice

Consejos de Seguridad	26
Descripción del Producto	26
Introducción	26
Contenido del Conjunto	26
Instalación	26
Montaje de los Paneles de Cristal	26
Funcionamiento	27
Almacenamiento de comida	27
Activación	27
Panel de control	27
Bloqueo / Desbloqueo del Panel de Control	27
Entre en el Menú de Parámetros	27
Modificación de los valores de los parámetros	27
Descripción de los parámetros	28
Descongelación manual	28
Pulizia e manutenzione	29
Limpieza del condensador	29
Resolución de problemas	29
Mensajes de Error	30
Especificaciones Técnicas	30
Cableado Eléctrico	30
Desecho	30
Cumplimiento	30

PT Índice

Conselhos de segurança	31
Descrição do produto	31
Introdução	31
Conteúdo da embalagem	31
Instalação	31
Colocar os painéis de vidro	31
Funcionamento	32
Armazenamento de produtos alimentares	32
Ligar	32
Painel de controlo	32
Desactivar/activar o painel de controlo	32
Aceder ao menu de parâmetros	32
Alterar o valor do parâmetro	32
Descrição dos parâmetros	33
Descongelamento manual	33
Limpeza, cuidados & manutenção	34
Limpar o condensador	34
Resolução de problemas	34
Mensagens de erro	35
Especificações técnicas	35
Cablagem eléctrica	35
Tratamento de lixo e resíduos	35
Conformidade	35

S Innehållsförteckning

Säkerhetsråd	36
Produktbeskrivning	36
Inledning	36
Förpackningsinnehåll	36
Installation	36
Fäst glaspanelerna	36
Drift	36
Förvara mat	36
Starta	37
Kontrollpanel	37
Lås/lås upp kontrollpanelen	37
Gå till parameternyn	37
Ändra parametervärde	37
Parameterbeskrivningar	37
Manuell avfrostning	38
Rengöring, vård och underhåll	38
Rengöra kondensatorn	38
Felsökning	39
Felmeddelanden	39
Tekniska specifikationer	40
Elektriska kablar	40
Avfallshantering	40
Tillmötesgående	40

DK Indholdsfortegnelse

Sikkerhedstips	41
Produktbeskrivelse	41
Introduktion	41
Emballagens indhold	41
Installation	41
Anbringelse af glaspaneler	41
Drift	42
Opbevaring af fødevarer	42
Tænd	42
Kontrolpanel	42
Lås/frigør kontrolpanel	42
Indtastning af parametermenuen	42
Sådan ændres en parameterværdi	42
Beskrivelse af parametre	43
Manuel afrimning	43
Rengøring, pleje og vedligeholdelse	44
Rengøring af kondensator	44
Fejlfinding	44
Fejlmeddelelser	45
Tekniske specifikationer	45
El-kabler	45
Bortskaffelse	45
Overensstemmelse	45

N Innhold

Sikkerhetstips	46
Produktbeskrivelse	46
Innledning	46
Pakkeinnhold	46
Installasjon	46
Montere glasspaneler	46
Bruk	46
Lagring av mat	46
Slå på	47
Kontrollpanel	47
Låse/Låse opp kontrollpanelet	47
Gå inn i parametermeny	47
Endre parameterværdi	47
Parameterbeskrivelser	47
Manuell avising	48
Rengjøring, ettersyn og vedlikehold	48
Rengjøring av kondensator	48
Feilsøking	49
Feilmeldinger	49
Tekniske spesifikasjoner	50
Elektrisk tilkøpling	50
Deponering	50
Samsvar	50

FIN Sisällysluettelo

Turvallisuusvihjeitä	51
Tuoteluettelo	51
Johdanto	51
Pakkauksen sisältö	51
Asennus	51
Asenna lasipaneeli	51
Käyttö	52
Ruokatavaroiden säilytys	52
Päällekytkeminen	52
Ohjauspaneeli	52
Ohjauspaneelin lukitseminen/lukituksen avaaminen	52
Parametrialikon syöttäminen	52
Käyttöparametrien arvon muuttaminen	52
Parametrien kuvaus	53
Manuaalinen sulatus	53
Puhdistus, hoito & huolto	54
Jäähdyttimen puhdistus	54
Vianetsintä	54
Virheilmoitukset	55
Tekniset tiedot	55
Sähköjohdot	55
Hävitys	55
Vaatimustenmukaisuus	55

Safety Tips

- Position on a flat, stable surface.
- A service agent/qualified technician should carry out installation and any repairs if required. Do not remove any components or service panels on this product.
- Consult Local and National Standards to comply with the following:
 - Health and Safety at Work Legislation
 - BS EN Codes of Practice
 - Fire Precautions
 - IEE Wiring Regulations
 - Building Regulations
- DO NOT use jet/pressure washers to clean the appliance.
- DO NOT use the appliance outside.
- DO NOT use this appliance to store medical supplies.
- DO NOT use electrical appliances inside the appliance (e.g. heaters, ice-cream makers etc.)
- DO NOT stand or support yourself on the base, drawers or doors.
- DO NOT allow oil or fat to come into contact with the plastic components or door seal. Clean immediately if contact occurs.
- Bottles that contain a high percentage of alcohol must be sealed and placed vertically in the refrigerator.
- Always carry, store and handle the appliance in a vertical position and move by holding the base of the appliance.
- Always switch off and disconnect the power supply to the unit before cleaning.
- Keep all packaging away from children. Dispose of the packaging in accordance with the regulations of local authorities.
- If the power cord is damaged, it must be replaced by a POLAR agent or a recommended qualified technician in order to avoid a hazard.

Product Description

G608 - POLAR 5 x ¼ Container Refrigerated Counter Top/Servery Prep

G609 - POLAR 7 x ¼ Container Refrigerated Counter Top/Servery Prep

G610 - POLAR 9 x ¼ Container Refrigerated Counter Top/Servery Prep

G611 - POLAR 10 x ¼ Container Refrigerated Counter Top/Servery Prep

Introduction

Please take a few moments to carefully read through this manual. Correct maintenance and operation of this machine will provide the best possible performance from your POLAR product.

Pack Contents

The following is included:

- POLAR Refrigerator or Freezer
- Top glass panel
- Rear glass panel
- Side glass panels x 2
- Instruction manual
- Collars x 6
- Brackets x 7
- Grub screws x 7
- Screws x 12
- Plugs x 14
- Gastranorm adaptor bar
- Adjustable feet x 4

POLAR prides itself on quality and service, ensuring that at the time of packaging the contents are supplied fully functional and free of damage.

Should you find any damage as a result of transit, please contact your POLAR dealer immediately.

Installation

Note: If the unit has not been stored or moved in an upright position, let it stand upright for approximately 12 hours before operation. If in doubt allow to stand.

1. Remove the appliance from the packaging. Make sure that all protective plastic film and coatings are thoroughly removed from all surfaces.
2. Maintain a distance of 20cm (7 inches) between the unit and walls or other objects for ventilation. Increase this distance if the obstacle is a heat source.

Note: Before using the appliance for the first time, clean the shelves and interior with soapy water.

3. Level the appliance by adjusting the screw feet.

Fit Glass Panels

1. Screw the collars to the rim of the appliance.

Note: Ensure the hole in the collar for the grub screw faces inwards.

2. Slot the two side panels into the collars, with the holes in the glass at the top.

Note: Ensure the screw hole furthest from the edge of the panel goes to the back of the appliance.

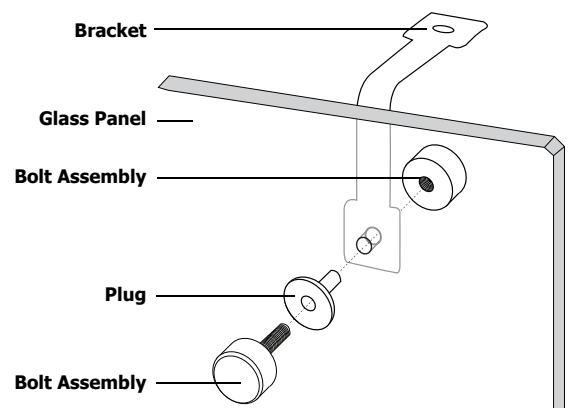
3. Screw a grub screw into each collar to secure the panels.

Note: Ensure the soft end of the grub screw is the end making contact with the glass.

4. Slot the rear panel into the collars, with the holes in the glass at the top.
5. Screw a grub screw into each collar to secure the panel.
6. Slot the plastic plugs into each of the holes.
7. Screw the brackets to the inside of each pane using the bolt assemblies.

Note: Ensure the short end of the bolt assembly is on the outside of the panels.

8. Place the top panel onto the brackets, ensuring all holes line up.
9. Insert the plugs and attach the top panel to the brackets with the bolt assemblies.



Operation

Storing Food

To get the best results from your POLAR appliance, follow these instructions:

- Only store foodstuffs in the appliance when it has reached the correct operating temperature.
- Ensure gastronorm bays are full at all times, even if the gastronorms are unused or empty. Empty bays will greatly reduce efficiency of the appliance.
- Do not obstruct the fans inside the appliance.

Turn On

1. Close the door(s) of the appliance.
2. Ensure the power switch is set to [O] and turn on at the socket.
3. Switch on the Power [I]. The current temperature within the appliance is displayed.

Control Panel



Lock/Unlock the Control Panel

To lock the control panel:

1. Press and hold the UP  and DOWN  buttons simultaneously for 10 seconds.
2. *P0r* flashes on the display and the keyboard is locked.

To unlock the control panel:



1. Press and hold the UP  and DOWN  buttons simultaneously for 10 seconds.
2. *P0n* flashes on the display and the keyboard is unlocked.



Note:

If a button is not pressed for 10 seconds while using the control panel it times out and reverts to standby mode. When parameters are being set the Setpoint LED will flash on the display.

Enter the Parameter Menu




1. Unlock the control panel, if locked.
2. Press and hold the SET  button until 'd l' flashes on the display.
3. If necessary, press the SET  button repeatedly to scroll to the desired parameter (see "Parameter Descriptions" for parameter details).

Alter Parameter Value



Note: Your POLAR appliance has been preset with default parameters generally deemed suitable for normal operation. POLAR recommend these preset values are used.

To alter the value, (if necessary):

1. With the desired parameter displayed, alter the value using the UP  and DOWN  buttons.
2. Press the SET  button to store the value.



Note: The control panel will automatically move to the next parameter. To return to standby mode allow the control panel to time out.

Parameter Descriptions


Parameter	Name	Description	Range	Default Parameter Value
d1	Operating temperature	Set the operating temperature of the appliance	-2°C to 10°C	2°C
d2	Temperature Differential	The Temperature Differential is the allowed temperature difference above and below the operating temperature before the compressor starts/cuts off	0 to 20°C	2°C
d3	Temperature Range	Set the minimum (d3) and maximum (d4) temperatures that the appliance can fluctuate between	-40°C	0°C
d4			95°C	10°C
d5	Compressor Activation Time Intervals	Enter the minimum time interval between the compressor turning off after turning on.	0-999 seconds	99
d6	Maximum Temperature Differential Alarm	Set an alarm to sound if the temperature inside the appliance exceeds the set operating temperature by a specified amount	0°C-50°C	50
d7	Temperature Differential Alarm Delay	Set a delay before the temperature differential alarm is triggered	0-99 minutes	0
d8	Defrost Cycle Time Intervals	Set the time between each defrost cycle	1-999 hours	24
d9	Maximum Defrost Duration	Set the maximum length of the defrost cycle Note: The defrost duration can be overridden by parameter d10 (below), if the cut-off temperature is reached before the end of the defrost duration	0-999 minutes	1
d10	Defrost Cut-off Temperature	Set the defrost cut-off temperature	-45°C to 50°C	n/a
d11	Additional Cut-off Defrost Period	Set an additional amount of defrost time after the defrost cut-off point has been reached (if required)	0-99 minutes	n/a
d12	Delayed Actual Temperature Display	Set the length of time the inner temperature of the appliance (before defrost started) is displayed for after a defrost cycle has finished	0-99 minutes	0
d13	Compressor On/Off During Defrost	Turn the Compressor On or Off during the defrost cycle	On (\uparrow) or Off (\downarrow)	n/a
d14	Evaporator Drying Time	Set the amount of time the compressor remains turned Off after a defrost cycle, reducing the amount of frost build up	0-99 minutes	0
=19	Temperature Offset	Should there be any variance between measured and actual temperature, the measured temperature can be offset to compensate	-20°C to 20°C	-5°C
=22	Unit of Measurement	Set whether the temperature is displayed in Centigrade or Fahrenheit	Centigrade (\downarrow) or Fahrenheit (\uparrow)	0
=23	Compressor Operation During Probe Failure	Set whether the compressor runs or remains Off during a temperature probe failure	Compressor runs (\uparrow) Remains Off until fault fixed (\downarrow) Runs intermittently with parameters =24 and =25 (\updownarrow)	2
=24	Compressor 'On' Duration	Set the length of time the compressor runs during a temperature probe failure	1-99 minutes	10
=25	Compressor 'Off' Duration	Set the length of time the compressor remains Off during a temperature probe failure	1-99 minutes	10
=34	Initial Defrost After Startup	Set whether the appliance starts a defrost cycle 10 minutes after startup or after the time programmed in parameter dB (Defrost Cycle Time Intervals)	Begins 10 minutes after startup (\downarrow) or when programmed (\uparrow)	n/a
=38	Minimum Temperature Alarm	Set the display to flash should the inner temperature of the appliance drop beyond a specified point from the programmed operating temperature	1°C to 50°C	40°C


Manual Defrost

The appliance will automatically run a defrost cycle every six hours.

 **Note: The cycle starts from the time the appliance is initially powered up.**

To manually defrost the appliance:

1. Press and hold the DEFROST  button for 5 seconds.
2. The defrost cycle will start immediately and the Defrost LED illuminates. The defrost will last a maximum of 30 minutes.

 **Note: Starting a manual defrost also resets the automatic defrost timer.**
The next automatic defrost will start six hours after the manual defrost has finished.

3. Waste water is collected in the waste water tray.

Cleaning, Care & Maintenance

- Switch off and disconnect from the power supply before cleaning.
- Clean the interior of the appliance as often as possible.
- Do not use abrasive cleaning agents. These can leave harmful residues.
- Clean the door seal with water only.
- Always wipe dry after cleaning.
- Do not allow water used in cleaning to run through the drain hole into the evaporation pan.
- Take care when cleaning the rear of the appliance. Sharp edges can cut.
- A POLAR agent or qualified technician must carry out repairs if required.

Cleaning the Condenser

Periodically cleaning the condenser can extend the life of the appliance.

POLAR recommend that a POLAR agent or qualified technician clean the condenser.

Troubleshooting

If your POLAR appliance develops a fault, please check the following table before making a call to the Helpline or your POLAR dealer.

Fault	Probable Cause	Action
The appliance is not working	The unit is not switched on	Check the unit is plugged in correctly and switched on
	Plug and lead are damaged	Call POLAR agent or qualified Technician
	Fuse in the plug has blown	Replace the fuse
	Power supply	Check power supply
	Internal wiring fault	Call POLAR agent or qualified Technician
The appliance turns on, but the temperature is too high/low	Too much ice on the evaporator	Defrost the appliance
	Condenser blocked with dust	Call POLAR agent or qualified Technician
	Doors are not shut properly	Check doors are shut and seals are not damaged
	Appliance is located near a heat source or air flow to the condenser is being interrupted	Move the refrigerator to a more suitable location
	Ambient temperature is too high	Increase ventilation or move appliance to a cooler position
	Unsuitable foodstuffs are being stored in the appliance	Remove any excessive hot foodstuffs or blockages to the fan
The appliance is leaking water	Appliance is overloaded	Reduce the amount of food stored in the appliance
	The appliance is not properly levelled	Adjust the screw feet to level the appliance (if applicable)
	The discharge outlet is blocked	Clear the discharge outlet
	Movement of water to the drain is obstructed	Clear the floor of the appliance (if applicable)
	The water container is damaged	Call POLAR agent or qualified Technician
The appliance is unusually loud	The drip tray is overflowing	Empty the drip tray (if applicable)
	Loose nut/screw	Check and tighten all nuts and screws
	The appliance has not been installed in a level or stable position	Check installation position and change if necessary

Error Messages

The following table details the cause and subsequent response of the appliance to errors.

Error Message (flashing)	Cause	Appliance Response	Action
<i>HLA</i>	The inner temperature exceeds the set maximum temperature	Display flashes Alternating error message and current temperature	Check Troubleshooting Guide If problem persists call POLAR agent or qualified Technician
<i>LLA</i>	The inner temperature exceeds the set minimum temperature	Display flashes Alternating error message and current temperature	Check Troubleshooting Guide If problem persists call POLAR agent or qualified Technician
<i>PF 1</i>	Short circuit or interruption of the thermostat probe input line	Display flashes	Compressor operates as specified by parameter ' <i>e23</i> '
<i>PF 2</i>	Short circuit or interruption of the evaporator probe input line	Display flashes	Defrost as specified by parameters <i>d8</i> and <i>d9</i>
<i>HLA</i>	Inner temperature greater than 90°C	Display flashes Alternating error message and current temperature	Call POLAR agent or qualified Technician
<i>LLA</i>	Inner temperature lower than -45°C	Display flashes Alternating error message and current temperature	Call POLAR agent or qualified Technician

The alarm message will end when the alarm trigger is no longer present, except PF1 and PF2 that require the appliance to be turned Off, then On again.

Technical Specifications

Model	Voltage	Power	Current	Temperature Range	Capacity	Refrigerant	Dimensions H x W x D (mm)	Weight (kg)
G608	230V 50Hz	150W	1A	2°C to 10°C	5 x gastronorm ¼ Container	R134a 120g	435 x 1200 x 330	25
G609	230V 50Hz	150W	1A	2°C to 10°C	7 x gastronorm ¼ Container	R134a 130g	430 x 1500 x 330	29
G610	230V 50Hz	150W	1A	2°C to 10°C	9 x gastronorm ¼ Container	R134a 155g	430 x 1800 x 330	32
G611	230V 50Hz	230W	1.6A	2°C to 10°C	10 x gastronorm ¼ Container	R134a 155g	430 x 2000 x 330	34

Electrical Wiring

POLAR appliances are supplied with a 3 pin, moulded, BS1363 plug and lead, with a 13 amp fuse as standard.

The plug is to be connected to a suitable mains socket.

POLAR appliances are wired as follows:

- Live wire (coloured brown) to terminal marked L
- Neutral wire (coloured blue) to terminal marked N
- Earth wire (coloured green/yellow) to terminal marked E

All POLAR appliances must be earthed, using a dedicated earthing circuit.

If in doubt consult a qualified electrician.

Electrical isolation points must be kept clear of any obstructions. In the event of any emergency disconnection being required they must be readily accessible.

Disposal

EU regulations require refrigeration product to be disposed of by specialist companies who remove or recycle all gasses, metal and plastic components.

Consult your local waste collection authority regarding disposal of your appliance. Local authorities are not obliged to dispose of commercial refrigeration equipment but may be able to offer advice on how to dispose of the equipment locally.

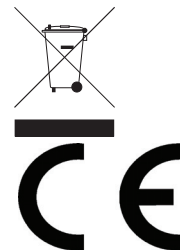
Alternatively call the POLAR helpline for details of national disposal companies within the EU.

Compliance

The WEEE logo on this product or its documentation indicates that the product must not be disposed of as household waste. To help prevent possible harm to human health and/or the environment, the product must be disposed of in an approved and environmentally safe recycling process. For further information on how to dispose of this product correctly, contact the product supplier, or the local authority responsible for waste disposal in your area.

POLAR parts have undergone strict product testing in order to comply with regulatory standards and specifications set by international, independent, and federal authorities.

POLAR products have been approved to carry the following symbol:



Veiligheidstips

- Plaatsen op een vlakke en stabiele ondergrond.
- De installatie en eventuele reparaties zijn door een servicetechnicus/vaktechnicus uit te voeren. Verwijder geen componenten of servicepanelen van dit product.
- Raadpleeg en volg de plaatselijke en nationale regelgeving op m.b.t. tot het volgende:
 - Wetgeving van gezondheid en veiligheid op de werkplaats
 - Werkregels
 - Brandpreventie
 - IEE bekabelingsnormen
 - Bouwverordeningen
- Dit product NIET reinigen met spuit-/drukreinigers.
- Dit product NIET gebruiken voor de berging van medische producten.
- In dit product GEEN elektrische apparaten gebruiken (zoals bijv. verwarmers, ijsmakers, etc.)
- NIET op de kastbasis, lades en deuren staan of als ondersteuning gebruiken.
- Laat NIET toe dat olie of vet in contact komt met plastic componenten of deurafdichtingen. Onmiddellijk reinigen indien dit wel gebeurt.
- Uitsluitend geschikt voor gebruik binnenshuis.
- Flessen met een hoog alcoholpercentage moet goed worden gesloten en verticaal in de koelkast worden bewaard.
- Dit product altijd in een verticale positie vervoeren, opbergen en gebruiken. Het product aan de kastbasis vervoeren.
- Alvorens dit product te reinigen dient men altijd de stroomvoorziening uit te schakelen.
- Laat verpakkingsmateriaal niet binnen handbereik van kinderen. Verpakkingsmateriaal in overeenstemming met de regelgeving van de plaatselijke overheden als afval laten verwerken.
- Indien de stroomkabel beschadigd raakt, dient men deze door een POLAR technicus of een aanbevolen vaktechnicus te laten vervangen om gevaarlijke situaties te verhinderen.

Productbeschrijving

- G608** - POLAR 5 x ¼ Containergekoelde opzetvitrine/bereidingsvitrine
G609 - POLAR 7 x ¼ Containergekoelde opzetvitrine/bereidingsvitrine
G610 - POLAR 9 x ¼ Containergekoelde opzetvitrine/bereidingsvitrine
G611 - POLAR 10 x ¼ Containergekoelde opzetvitrine/bereidingsvitrine

Inleiding

Neem de tijd en lees deze handleiding aandachtig door. Een correct gebruik en onderhoud van deze machine waarborgt de beste prestatie van uw POLAR product.

Verpakkingsinhoud

De verpakking bevat het volgende:

- POLAR Koelkast of vrieskast
- Glazen bovenpaneel
- Glazen achterpaneel
- Glazen zijpanelen x 2
- Handleiding
- Tussendelen x 6
- Beugels x 7
- Fixeerschroeven x 7
- Schroeven x 12
- Pluggen x 14
- Gastronorm aanpasbare stang
- Verstelbare poten x 4

POLAR is trots op de haar productkwaliteit en dienstverlening en controleer de inhoud van de verpakkingen, tijdens de verpakkingsfase, op functionaliteit en schade.

Mocht u product door transport zijn beschadigd, neem dan onmiddellijk contact op met uw POLAR dealer.

Installatie



Opmerking: indien het apparaat niet in een rechtopstaande positie is opgeslagen of vervoerd, dient men het product 12 uur vóór gebruik in de rechtopstaande positie te plaatsen. Bij twijfel dient men het product in een rechtopstaande positie te plaatsen.

1. Haal het product uit de verpakking. Zorg ervoor dat u de beschermingsfolie en -lagen van alle oppervlakken heeft verwijderd.
2. Voor een adequate ventilatie dient men een afstand van 20cm aan te houden tussen dit product of muren en andere objecten. Vergroot deze afstand indien het object een warmtebron is.



Opmerking: Voor het eerste gebruik van dit product dient u de lades en de binnenzijde met zeepwater te reinigen.

3. Nivelleer het product door de verstelbare poten aan te passen.

Plaatsen van de glaspanelen

1. Schroef de tussendelen vast aan de rand van het product.



Opmerking: zorg dat het gat in het tussendeel voor de fixeerschroeven naar binnen is gericht.

2. Schuif de twee zijpanelen in de tussendelen met de gaten in het glas naar boven gericht.



Schroef een fixeerschroef in elk van de tussendelen om de panelen te bevestigen.

3. Schroef een fixeerschroef in elk van de tussendelen om de panelen te bevestigen.



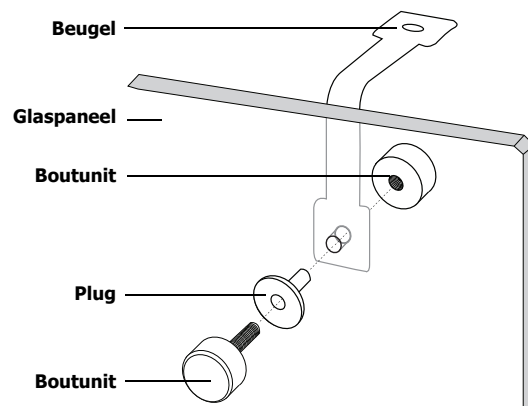
Opmerking: zorg dat het zachte uiteinde van de fixeerschroef het contactmakende stuk is met het glas.

4. Schuif de het achterpaneel in de tussendelen met de gaten in het glas naar boven gericht.
5. Schroef een fixeerschroef in elk van de tussendelen om het paneel te bevestigen.
6. Schuif in elk van de gaten één plastic plug.
7. Schroef de beugels met behulp van de boutunits aan de binnenzijde van elk paneel.



Opmerking: zorg dat het kortste uiteinde van het boutunit aan de buitenkant van de panelen zit

8. Plaats het toppaneel in de beugels en zorg dat alle gaten met elkaar zijn opgelijnd.
9. Plaats de pluggen en bevestig het toppaneel aan de beugels met behulp van de boutunits.



Bediening

Opslag van levensmiddelen

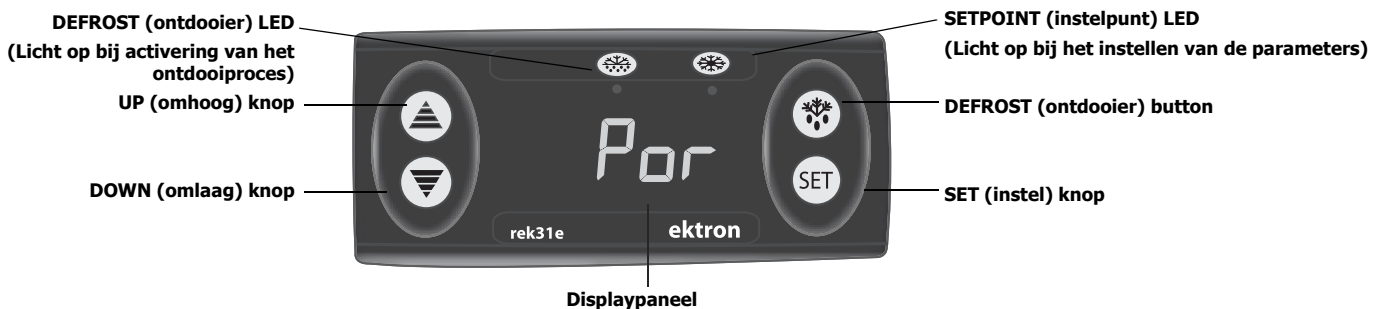
Volg de volgende aanwijzingen voor de beste resultaten met uw POLAR product:

- Bewaar uitsluitend levensmiddelen in het product wanneer het product de juiste gebruikstemperatuur heeft bereikt.
- Zorg dat alle gastronorm bakken altijd vol zijn, zelfs wanneer de gastronorms niet gebruikt of leeg zijn. Lege bakken zullen de efficiëntie van het product aanzienlijk verminderen.
- Niet de interne ventilatoren in het product blokkeren.

Inschakelen



1. Controleer of stroomschakelaar in de positie [O] staat en de steker in het stopcontact zit.
2. Zet de Power (Stroom) [I] aan. De actuele interne temperatuur van het product wordt weergegeven.

Bedieningspaneel





Bedieningspaneel vergrendelen/ontgrendelen

Om het bedieningspaneel te vergrendelen:



1. De UP (omhoog)  en DOWN (omlaag)  knop tegelijkertijd indrukken en ingedrukt houden gedurende 10 seconden.
2. *Por* knippert op het display en het toetsenbord is vergrendeld.

Om het bedieningspaneel te ontgrendelen:

1. De UP (omhoog)  en DOWN (omlaag)  knop tegelijkertijd indrukken en ingedrukt houden gedurende 10 seconden.
2. *Por* knippert op het display en het toetsenbord is ontgrendeld.

Opmerking: Indien er tijdens het gebruik van het bedieningspaneel gedurende 10 seconden géén knop wordt ingedrukt, keert het bedieningspaneel naar de standby-modus. Bij het instellen van parameters knippert het Setpoint (instelpunt) LED op het display.




Het parametermenu openen

1. Het bedieningspaneel ontgrendelen, indien vergrendeld.
2. Druk de SET (instel)  knop en hou deze ingedrukt totdat 'd l' op het display knippert.
3. Indien nodig, druk meerdere malen op de SET (instel)  knop om tot de gewenste parameter te bladeren (zie "Beschrijvingen van parameters" voor meer details).

Parameterwaarde wijzigen

Opmerking: uw POLAR apparaat is voorzien van standaardparameters die geschikt worden geacht voor normaal gebruik. POLAR raadt aan om deze ingestelde waarden te gebruiken.

Om de waarden te wijzigen (indien nodig):

1. Met de gewenste parameter op het display, gebruikt u de UP  en DOWN  knoppen om de waarde te wijzigen.
2. Druk op de SET  knop om de waarde op te slaan.

Opmerking: het controlepaneel gaat automatisch naar de volgende parameter. Om naar de standby-modus terug te keren wacht u tot het controlepaneel een time-out heeft.

Beschrijvingen van parameters


Parameter	Naam	Beschrijving	Bereik	Standaardparameterwaarden
d1	Bedrijfstemperatuur	Instellen van de gebruikstemperatuur van het product	-2°C tot 10°C	2°C
d2	Temperatuurverschil	Het temperatuurverschil is het min. en max. toegelaten temperatuurverschil boven en onder de bedrijfstemperatuur waarbij de compressor opstart/uitschakelt	0 tot 20°C	2°C
d3	Temperatuurbereik	Het instellen van de minimale (d3) en maximale (d4) temperaturen die het bereik van het product vormen	-40°C	0°C
d4			95°C	10°C
d5	Tijdsintervallen Compressoractivering	Tijdsintervallen, voor het invoeren van het minimumtijdsinterval tussen het in- en uitschakelen van de compressor	0-999 seconden	99
d6	Maximumtemperatuur Differentieelalarmering	Voor het instellen van een geluidsalarm indien het product de ingestelde bedrijfstemperatuur met een bepaalde marge overschrijdt	0°C tot 50°C	50
d7	Temperatuurverschil alarmvertraging	Voor het instellen van een alarmvertraging voor de activering van het temperatuurverschilalarmering	0-99 minuten	0
d8	Tijdsinterval ontdooiproces	Voor het instellen van het tijdsinterval tussen elk ontdooiproces	1-999 uur	24
d9	Maximale duur ontdooiproces	Voor het instellen van de maximale duur van het ontdooiproces Opmerking: de duur van het ontdooiproces kan door parameter d10 (hieronder) worden geannuleerd zodra de uitschakeltemperatuur wordt bereikt vóór het einde van de duur van het ontdooiproces	0-999 minuten	1
d10	Uitschakeltemperatuur ontdooiproces	Voor het instellen van de uitschakeltemperatuur van het ontdooiproces	-45°C tot 50°C	nvt
d11	Extra uitschakelduur ontdooiproces	Extra uitschakelduur ontdooiproces	0-99 minuten	nvt
d12	Vertraagde weergave actuele temperatuur	Voor het instellen van de tijdsduur van de weergave van de interne temperatuur van het product (vóór het starten van het ontdooiproces) na het beëindigen van de ontdooicyclus	0-99 minuten	0
d13	Compressor On/Off (Aan/Uit) tijdens ontdooien	Het Aan- of Uitzetten van de compressor tijdens de ontdooicyclus	On (Aan) (\uparrow) of Off (Uit) (\downarrow)	nvt
d14	Droogtijd verdamper	Voor het instellen van de tijdsduur dat de compressor uitgeschakeld blijft na een ontdooiproces waardoor de hoeveelheid van ijsopbouw wordt beperkt	0-99 minuten	0
=19	Temperatuurverschuiving	Bij elk verschil tussen de gemeten en de actuele temperatuur is de verschuiving van de gemeten temperatuur mogelijk om het verschil te compenseren	-20°C tot 20°C	-5°C
=22	Meeteenheid	Voor het instellen van de temperatuurweergave in Celsius of Fahrenheit	Celsius (\uparrow) of Fahrenheit (\downarrow)	0
=23	Compressorwerking tijdens teststoring	Voor het instellen of de compressor opstart of uitblijft bij een storing tijdens een temperatuurtest	De compressor loopt (\uparrow) Blijft uit tot verhelpen van de storing (\downarrow) Werking met tussenpozen bij parameters =24 en =25 (\downarrow)	2
=24	Compressor 'On' (Aan) duur	Voor het instellen van de duur dat de compressor aanblijft tijdens een storing van een temperatuurtest	1-99 minuten	10
=25	Compressor 'Off' (Uit) duur	Voor het instellen van de duur dat de compressor uitblijft tijdens een storing van een temperatuurtest	1-99 minuten	10
=34	Initiële ontdooiing na opstart	Om te bepalen en in te stellen of de ontdooicyclus 10 minuten na de opstart of na de geprogrammeerde tijd van parameter d8 start	Begint 10 minuten na opstart (\downarrow) of conform geprogrammeerd (\uparrow)	nvt
=38	Alarm minimumtemperatuur	Voor het instellen van het knipperen van het display wanneer de binnentemperatuur van het product een bepaald punt van de geprogrammeerde bedrijfstemperatuur bereikt	1°C tot 50°C	40°C

Handmatig ontdooien

Het product zal om de zes uur een automatische ontdooicyclus draaien.

 **Opmerking: de cyclus gaat in bij de eerste opstart van het product.**

Voor de handmatige ontdooiing van het product:

1. De DEFROST (ontdooier)  knop indrukken en gedurende 5 seconden ingedrukt houden.
2. De ontdooicyclus zal onmiddellijk starten en het Defrost (ontdooier) LED licht op. Het ontdooiproces zal maximaal 30 minuten duren.

 **Opmerking: Het starten van een handmatig ontdooiproces zorgt tevens voor een automatische reset van de timer van de ontdooier. Het volgende automatische ontdooiproces start zes uur ná beëindiging van de handmatige ontdooiing.**

3. Afvoerwater wordt opgevangen in de afvoerwaterlade.

Reiniging, zorg & onderhoud

- Alvorens het apparaat te reinigen dient men de stroomvoorziening uit te schakelen.
- Reinig zo vaak mogelijk de binnenkant van het product.
- Gebruik géén schurende reinigingsmiddelen. Dergelijke middelen kunnen schadelijke resten achterlaten.
- Reinig de deurafdichting uitsluitend met water.
- Na reiniging altijd droogmaken.
- Het voor reiniging gebruikte water mag niet door het afvoergat naar de verdampingspan stromen.
- Ga voorzichtig te werk bij het reinigen van de achterzijde van het product. Scherpe randen kunnen snijwonden veroorzaken.
- Eventuele reparaties moeten door een POLAR technicus of een vaktechnicus worden uitgevoerd.

Reiniging van de condensor

De periodieke reiniging van de condensor kan de technische levensduur van het product verlengen.

Het is de aanbeveling van POLAR om de reiniging van de condensor door een POLAR technicus of een vaktechnicus te laten uitvoeren.

Oplossen van problemen

Indien er een storing van uw POLAR product optreedt, dient u de onderstaande tabel te raadplegen alvorens contact op te nemen met uw POLAR dealer of de Hulplijn te bellen.

Probleem	Mogelijke oorzaak	Handeling
Het apparaat werkt niet	Het apparaat staat uit	Controleer of de stroomkabel van het apparaat is aangesloten en of het apparaat is ingeschakeld
	Steker en kabel zijn beschadigd	Laat een POLAR technicus of een vaktechnicus komen
	De zekering in de steker is gesprongen	Vervang de zekering in de steker
	Stroomvoorziening	Controleer de stroomvoorziening
	Storing interne bedrading	Laat een POLAR technicus of een vaktechnicus komen
Het product staat aan maar de temperatuur is te hoog/laag	Teveel ijs in de verdamper	Ontdooi het product
	Condensor wordt geblokkeerd door stof	Laat een POLAR technicus of een vaktechnicus komen
	Deuren niet goed gesloten	Controleren of de deuren goed dicht en of afdichtingen niet beschadigd zijn
	Het product bevindt zich in de nabijheid van een warmtebron of de luchtstroom naar de condensor wordt onderbroken	Verplaats de koelkast naar een geschiktere locatie
	Omgevingstemperatuur is te hoog	Verbeter de ventilatie of verplaats het product naar een koelere locatie
	Ongeschikte levensmiddelen worden in het product bewaard	Verwijder alle overbodige warme levensmiddelen of deblokkeer de ventilator
	Het product wordt overbelast	Verminder de hoeveelheid opgeslagen voedsel in het product
Het product lekt water	Het product staat niet recht	Pas de verstelbare poten aan om het product te nivelleren (indien nodig)
	De afvoeropening wordt geblokkeerd	Maak de afvoeropening vrij van obstakels
	De waterstroom naar de afvoer wordt geblokkeerd	Maak de vloer vrij van obstakels (indien nodig)
	De waterbak is beschadigd	Laat een POLAR technicus of een vaktechnicus komen
	De druppellade stroomt over	Leeg de druppellade (indien nodig)
Het product maakt ongebruikelijk veel lawaai	U heeft de veiligheidsband niet verwijderd	Verwijder de veiligheidsband
	Moer/schroef los	Alle moeren en schroeven controleren en aantrekken
	Het product is niet op een effen of stabiele ondergrond geplaatst	Installatielocatie controleren en indien nodig veranderen

Foutmeldingen

De volgende tabel geeft een gedetailleerde beschrijving van de oorzaak en de desbetreffende uit te voeren handeling bij productstoringen.

Fout-melding (knippert)	Oorzaak	Productrespons	Handeling
H _L R	De binnentemperatuur overschrijdt de ingestelde maximumtemperatuur	Op het display knippert afwisselend de foutmelding en de actuele temperatuur	Raadpleeg de Handleiding Problemen oplossen Indien dit een terugkerende storing is, neem dan contact op met een POLAR technicus of een vaktechnicus
L _L R	De binnentemperatuur overschrijdt de ingestelde minimumtemperatuur	Op het display knippert afwisselend de foutmelding en de actuele temperatuur	Raadpleeg de Handleiding Problemen oplossen Indien dit een terugkerende storing is, neem dan contact op met een POLAR technicus of een vaktechnicus
PF 1	Kortsluiting of onderbreking van testinvoerlijn van de thermostaat	Display knippert	Compressor werkt conform ingestelde parameter '=E3'
PF 2	Kortsluiting of onderbreking van testinvoerlijn van de verdampers	Display knippert	Ontdooiproces conform ingestelde parameters $\overline{d}b$ en $\overline{d}g$
H _L R	Binnentemperatuur hoger dan 90°C	Op het display knippert afwisselend de foutmelding en de actuele temperatuur	Laat een POLAR technicus of een vaktechnicus komen
L _L R	Inner temperature lower than -45°C	Op het display knippert afwisselend de foutmelding en de actuele temperatuur	Laat een POLAR technicus of een vaktechnicus komen

De foutmelding verdwijnt zodra de alarmactivering niet meer actief is, met uitzondering van de foutmelding PF1 en PF2 waarbij het uitschakelen en opnieuw inschakelen van het product wordt vereist.

Technische specificaties

Model	Voltage	Vermogen	Stroom	Temperatuur -bereik	Inhoud (liters)	Koelmiddel	Afmetingen h x b x d mm	Gewicht (kg)
G608	230V 50Hz	150W	1A	2°C toT 10°C	5 x gastronorm ¼ Container	R134a 120g	435 x 1200 x 330	25
G609	230V 50Hz	150W	1A	2°C toT 10°C	7 x gastronorm ¼ Container	R134a 130g	430 x 1500 x 330	29
G610	230V 50Hz	150W	1A	2°C toT 10°C	9 x gastronorm ¼ Container	R134a 155g	430 x 1800 x 330	32
G611	230V 50Hz	230W	1,6A	2°C toT 10°C	10 x gastronorm ¼ Container	R134a 155g	430 x 2000 x 330	34

Elektrische bedrading

Men dient de stekker op een geschikt stopcontact aan te sluiten.

De bedrading van dit apparaat is als volgt:

- Stroomkabel (bruin) naar de aansluitklem gemarkeerd met L
- Neutraalkabel (blauw) naar de aansluitklem gemarkeerd met N
- Aardekabel (groen/geel) naar de aansluitklem gemarkeerd met E

Dit apparaat moet worden geaard met behulp van een adequaat aardingscircuit.

Bij twijfels raadpleeg een vakkundige elektricien.

De elektrische isolatiepunten mogen niet worden geblokkeerd. In geval van een nooduitschakeling moeten de isolatiepunten direct toegankelijk zijn.

Afvalverwerking

De EU-richtlijnen vereisen dat koelproducten door gespecialiseerde bedrijven wordt verwerkt die gassen, metalen en plastic componenten verwijderen of recycleren.

Raadpleeg uw plaatselijke afvalverwerkingsbedrijf voor informatie over de afvalverwerking van uw apparaat. De plaatselijke overheden zijn niet verplicht om koelingsproducten van bedrijven als afval te verwerken maar kunnen uw informeren waar u het apparaat kunt afgeven.

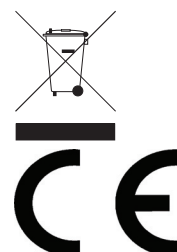
U kunt ook de POLAR helpline bellen voor informatie over landelijke afvalverwerkingsbedrijven in de EU.

Productconformiteit

Het WEEE-logo op dit product of bijbehorende documentatie geeft aan dat het product niet onder huisvuil valt en als zodanig ook niet mag worden verwerkt. Ter preventie van mogelijke gevaren voor de gezondheid van personen en/of voor het milieu, dient men dit product in overeenstemming met het voorgeschreven en milieuvriendelijke recyclingproces als afval te verwerken. Raadpleeg uw productleverancier of uw plaatselijk afvalverwerkingsbedrijf voor meer informatie over de juiste afvalverwerking van dit product.

De onderdelen van POLAR producten hebben strenge producttesten ondergaan om te voldoen aan wettelijke regels en specificaties die door internationale, onafhankelijke en landelijke overheden worden voorgeschreven.

POLAR producten zijn goedgekeurd en voorzien van het volgende symbool:



Alle rechten voorbehouden. Het is verboden om deze handleiding, hetzij volledig of gedeeltelijk, elektronisch of mechanisch te reproduceren, kopiëren, op opslagmedia op te slaan of op enigerlei wijze over te dragen, zonder voorafgaande goedkeuring van POLAR.

Wij hebben er alles aan gedaan om er zeker van te zijn dat op publicatiedatum van de handleiding alle details correct zijn, desondanks, behoudt POLAR het recht voor om specificaties zonder aankondiging te wijzigen.

Conseils de sécurité

- Placez l'appareil sur une surface plane, stable.
- L'installation et les éventuelles réparations doivent être confiées à un dépanneur / technicien qualifié. Ne retirez aucun composant ou cache de ce produit.
- Consultez les normes locales et nationales pour vous conformer aux :
 - lois sur l'hygiène et la sécurité au travail ;
 - codes de bonnes pratiques BS EN ;
 - précautions contre le risque d'incendie ;
 - réglementations sur les branchements électriques IEE ;
 - règlements sur la construction.
- NE PAS nettoyer cet appareil avec un nettoyeur à jet / à pression.
- NE PAS se servir de cet appareil pour stocker des médicaments.
- NE PAS utiliser d'appareils électriques à l'intérieur de l'appareil (ex. chauffages, sorbetières, etc.)
- NE PAS se tenir debout sur le châssis, les tiroirs ou les portes ou s'y accouder.
- NE PAS éclabousser les composants en plastique ou les joints de porte d'huile ou de matières grasses. En cas d'éclaboussure, nettoyez immédiatement la surface touchée.
- Cet appareil est réservé exclusivement à une utilisation à l'intérieur.
- Les bouteilles qui contiennent un haut pourcentage d'alcool doivent être bouchonnées et rangées à la verticale dans le réfrigérateur.
- Veillez à toujours transporter, stocker et manipuler l'appareil à la verticale et à le déplacer en tenant la base du châssis.
- N'oubliez jamais d'éteindre et de débrancher l'appareil avant de procéder à son nettoyage.
- Gardez les emballages hors de portée des enfants. Débarrassez-vous des emballages conformément aux règlements des autorités locales.
- Un cordon d'alimentation endommagé doit être remplacé par un agent POLAR ou un technicien qualifié recommandé, pour éviter tout danger.

Description du produit

G608 - Plan de travail de distribution / préparation 5 bacs réfrigéré POLAR

G609 - Plan de travail de distribution / préparation 7 bacs réfrigéré POLAR

G610 - Plan de travail de distribution / préparation 9 bacs réfrigéré POLAR

G611 - Plan de travail de distribution / préparation 10 bacs réfrigéré POLAR

Introduction

Nous vous invitons à consacrer quelques instants à la lecture attentive de ce mode d'emploi. L'entretien et l'utilisation appropriés de cette machine vous permettront de tirer le meilleur de votre produit POLAR.

Contenu de l'emballage

Les éléments suivants vous sont fournis de série :

- | | |
|--------------------------------------|-----------------------------------|
| • Réfrigérateur ou congélateur POLAR | • 7 pattes de fixation |
| • Paroi supérieure en verre | • 7 vis sans tête |
| • Paroi arrière en verre | • 12 vis |
| • Deux parois latérales en verre | • 14 obturateurs |
| • Mode d'emploi | • Barre de séparation Gastronomes |
| • 6 colliers | • 4 pieds réglables |

POLAR attache une grande importance à la qualité et au service et veille à fournir des produits en parfait état opérationnel, parfaitement intacts au moment de l'emballage.

Nous vous prions de contacter votre revendeur POLAR immédiatement si vous constatez un dommage quelconque survenu pendant le transport du produit.

Installation



Remarque : dans les cas où l'appareil a été stocké ou déplacé autrement qu'à la verticale, placez-le en position debout pendant environ 12 heures avant de vous en servir. En cas de doute, laissez l'appareil se reposer.

1. Sortez l'appareil de l'emballage. Veillez à bien retirer toute la pellicule et les revêtements de protection de toutes les surfaces.
2. Veillez à prévoir une distance de 20 cm entre l'appareil et les murs ou autres objets, pour laisser l'air circuler. Augmentez cette distance si l'obstacle est une source de chaleur.



Remarque : Avant de mettre l'appareil en service pour la première fois, nettoyez les clayettes et l'intérieur de l'appareil à l'eau savonneuse.

Mettez l'appareil de niveau en réglant les pieds à vis.

Installation des parois de verre

1. Vissez les colliers sur le bord de l'appareil.



Remarque : Veillez à ce que le trou du collier prévu pour la vis sans tête soit tourné vers l'intérieur.

2. Faites coulisser les deux parois latérales dans les colliers, en plaçant les trous pratiqués dans le verre au-dessus.



Remarque : Veillez à prévoir le trou de vis le plus éloigné du bord de la vitre pour l'arrière de l'appareil.

3. Vissez une vis sans tête dans chaque collier, pour caler les parois.



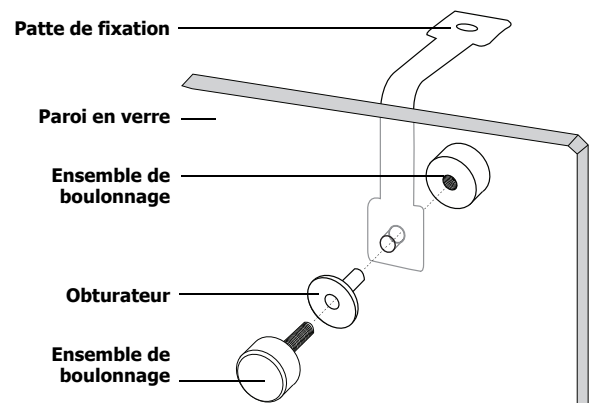
Remarque : Veillez à ce que le côté souple de la vis sans tête soit le côté posé sur le verre.

4. Faites coulisser la paroi arrière dans les colliers, en plaçant les trous pratiqués dans la vitre sur le dessus.
5. Vissez une vis sans tête dans chaque collier, pour caler la paroi.
6. Insérez les obturateurs en plastique dans les trous.
7. Vissez les pattes de fixation sur l'intérieur de chaque vitre, à l'aide des ensembles de boulonnage.



Remarque : Veillez à ce que la partie courte de l'ensemble de boulonnage se situe à l'extérieur des parois.

8. Posez la paroi supérieure sur les pattes de fixation, en veillant à ce que tous les trous s'alignent.
9. Insérez les obturateurs et fixez la paroi supérieure aux pattes de fixation, à l'aide des ensembles de boulonnage.



Fonctionnement

Stockage des aliments

Suivez ces consignes pour profiter au mieux de votre appareil POLAR :

- Ne stockez des aliments dans l'appareil que lorsqu'il a atteint la bonne température de fonctionnement.
- Veillez à ce que les bacs gastronomes soient toujours pleins, même si les gastronomes sont inutilisés ou vides. Les bacs vides réduisent considérablement l'efficacité de l'appareil.
- Veillez à ne pas obstruer les ventilateurs à l'intérieur de l'appareil.

Mise en service

1. Vérifiez que l'interrupteur marche / arrêt est réglé sur [O] et allumez la prise.
2. Mettez l'appareil sous tension, position [I]. La température à l'intérieur de l'appareil s'affiche.

Panneau de configuration



Verrouillage / déverrouillage du panneau de configuration

Pour verrouiller le panneau de configuration



1. Appuyez sur et maintenez enfoncés les boutons UP  et DOWN  simultanément, pendant 10 secondes.
2. **PoF** clignote sur l'affichage ; le clavier est verrouillé.

Pour déverrouiller le panneau de configuration :

1. Appuyez sur et maintenez enfoncés les boutons UP  et DOWN  simultanément, pendant 10 secondes.
2. **Pon** clignote sur l'affichage ; le clavier est déverrouillé.

Remarque :
Le panneau de configuration est occulté et repasse au mode de veille si un intervalle de plus de dix secondes s'écoule avant que l'utilisateur n'appuie sur un bouton.
Pendant la configuration des paramètres, la diode Setpoint clignote sur l'affichage.




Entrer dans le menu paramètre

1. Déverrouillez le panneau de configuration, s'il est verrouillé.
2. Appuyez sur et maintenez enfoncés le bouton SET  jusqu'à ce que **d l'** clignote.
3. Si nécessaire, appuyez plusieurs fois sur le bouton de réglage SET  pour accéder au paramètre voulu (voir " Description des paramètres " pour en savoir plus sur les paramètres).

Modification de la valeur d'un paramètre

Remarque : **Votre appareil POLAR a été pré-réglé selon des paramètres par défaut qui, habituellement, sont considérés comme adaptés à un scénario d'utilisation normale. POLAR vous recommande d'utiliser ces valeurs pré-réglées.**

Pour modifier une valeur (en cas de besoin) :

1. Une fois le paramètre voulu affiché, modifiez sa valeur à l'aide des boutons UP  (Haut) et DOWN  (Bas).
2. Appuyez sur le bouton SET  (Réglage) pour enregistrer la valeur.

Remarque : **Le panneau de configuration passe automatiquement au paramètre suivant. Pour revenir au mode de veille, laissez s'écouler le délai de temporisation du panneau de configuration.**

Description des paramètres


Paramètre	Nom	Description	Plage	Valeurs de paramètre par défaut
d1	Température de fonctionnement	Pour régler la température de fonctionnement de l'appareil	- de 2 à 10°C	2°C
d2	Température différentielle	La Température différentielle est la différence de température autorisée au-dessus et au-dessous de la température de fonctionnement, avant démarrage / arrêt du compresseur	de 0 à 20°C	2°C
d3	Plage de température	Pour régler les températures minimum (d3) et maximum (d4) entre lesquelles l'appareil peut fluctuer	-40°C	0°C
d4			95°C	10°C
d5	Intervalles de déclenchement du compresseur	Régler l'intervalle de temps minimum entre l'arrêt du compresseur après sa mise en marche	de 0 à 999 secondes	99
d6	Alarme de température différentielle maximale	Pour régler une alarme qui retentit si la température à l'intérieur de l'appareil dépasse la température de fonctionnement réglée, au-delà d'une valeur spécifiée	de 0 à 50°C	50
d7	Délai d'alarme de température différentielle	Pour régler le délai de déclenchement de l'alarme de température différentielle	de 0 à 99 minutes	0
d8	Intervalle de cycle de décongélation	Pour régler l'intervalle de temps entre chaque cycle de décongélation	de 1 à 99 heures	24
d9	Temps de décongélation maximum	Pour régler la durée maximale du cycle de décongélation Remarque : Le temps de décongélation peut être supplanté par le paramètre d10 (ci-dessous), si la température d'arrêt est atteinte avant la fin du temps de décongélation	de 0 à 999 minutes	1
d10	Température d'arrêt de décongélation	Pour régler la température d'arrêt de décongélation	de -45 à 50°C	s/o
d11	Période supplémentaire d'arrêt de décongélation	Pour prolonger le temps de décongélation au-delà du point de déclenchement d'arrêt de décongélation (si besoin est)	de 0 à 99 minutes	s/o
d12	Temporisation de l'affichage de la température réelle	Pour régler la durée d'affichage de la température intérieure de l'appareil (avant le début de la décongélation), à la fin d'un cycle de décongélation	de 0 à 99 minutes	0
d13	Marche / arrêt du compresseur	Pour mettre en marche ou arrêter le compresseur pendant le cycle de décongélation	Marche (I) ou Arrêt (II)	s/o
d14	Temps de séchage de l'évaporateur	Pour régler l'intervalle pendant lequel le compresseur reste à l'arrêt après le cycle de décongélation, pour diminuer l'accumulation du gel	de 0 à 99 minutes	0
=19	Décalage de température	En cas de différence entre la température mesurée et la température réelle, la température mesurée peut être décalée pour compenser la différence	de -20 à 20°C	-5°C
=22	Unité de mesure	Pour régler l'affichage de la température en degrés Celsius ou Fahrenheit	Celsius (II) ou Fahrenheit (I)	0
=23	Fonctionnement du compresseur en cas de panne de la sonde	Pour régler la marche ou l'arrêt du compresseur en cas de panne de sonde de température	Compresseur en marche (I). Arrêt jusqu'à réparation (II) Fonctionnement intermittent avec les paramètres =24 et =25 (2)	2
=24	Durée de marche du compresseur	Pour régler l'intervalle pendant lequel le compresseur reste en marche en cas de panne de sonde de température	de 1 à 99 minutes	10
=25	Durée d'arrêt du compresseur	Pour régler l'intervalle pendant lequel le compresseur reste à l'arrêt en cas de panne de sonde de température	de 1 à 99 minutes	10
=34	Décongélation initiale après démarrage	Pour régler si l'appareil enclenche un cycle de décongélation 10 minutes après démarrage ou après l'intervalle programmé au paramètre d8	Commence 10 minutes après le démarrage (II) ou à l'intervalle programmé (I)	s/o
=38	Alarme de température minimum	Pour que l'affichage clignote en cas de chute de la température à l'intérieur de l'appareil au-delà d'un point spécifié par rapport à la température de fonctionnement programmée	de 1 à 50°C	40°C

Décongélation manuelle

L'appareil enclenche un cycle de décongélation toutes les six heures.

 **Remarque : Le cycle débute à partir de la mise en service initiale de l'appareil.**

Pour décongeler l'appareil, manuellement :

1. Appuyez sur et maintenez enfoncé le bouton DEFROST (Décongélation)  pendant cinq secondes.
2. Le cycle de décongélation démarre immédiatement et la diode de décongélation s'allume. La décongélation ne dure pas plus de 30 minutes.

 **Remarque : le démarrage d'une décongélation manuelle entraîne également la réinitialisation du temporisateur de décongélation automatique. La décongélation automatique suivante démarre six heures après écoulement du temps de décongélation manuelle.**

3. L'eau usée est recueillie dans le plateau de récupération des eaux usées.

Nettoyage, entretien et maintenance

- N'oubliez jamais d'éteindre et de débrancher l'appareil avant de procéder à son nettoyage.
- Nettoyez l'intérieur de l'appareil aussi souvent que possible.
- N'utilisez aucun produit de nettoyage abrasif. Ces produits peuvent laisser des résidus nocifs.
- Le joint de porte ne se nettoie qu'à l'eau.
- Soyez prudent quand vous nettoyez l'arrière de l'appareil. Les bords effilés peuvent couper.

Nettoyage du condensateur

1. Nettoyer régulièrement le condensateur peut prolonger la durée de vie de l'appareil.
2. POLAR vous recommande de confier le nettoyage du condensateur à un agent POLAR ou à un technicien qualifié.

Dépannage

En cas de dysfonctionnement de votre appareil POLAR, vérifiez les données du tableau ci-dessous avant d'appeler notre standard d'assistance ou votre revendeur POLAR.

Dysfonctionnement	Cause probable	Intervention
L'appareil ne fonctionne pas	L'appareil n'est pas allumé	Vérifier que l'appareil est bien branché et allumé
	La prise et le cordon sont endommagés	Appeler un agent POLAR ou un technicien qualifié
	Alimentation	Vérifier l'alimentation
	Problème de branchement interne	Appeler un agent POLAR ou un technicien qualifié
L'appareil s'allume, mais la température est trop haute / basse	Excès de glace sur l'évaporateur	Décongeler l'appareil
	Le condensateur est saturé de poussières	Appeler un agent POLAR ou un technicien qualifié
	Les portes sont mal fermées	Vérifier que les portes sont fermées et l'état des joints
	L'appareil est situé près d'une source de chaleur ou l'air ne circule pas librement vers le condensateur	Déplacer le réfrigérateur pour le placer à un endroit mieux adapté
	Température ambiante trop haute	Augmenter la ventilation ou placer l'appareil à un endroit plus frais
	Des aliments inadéquats sont stockés dans l'appareil	Retirer les aliments trop chauds ou les éventuelles obstructions au ventilateur
	L'appareil est surchargé	Réduire la quantité d'aliments stockés dans l'appareil
Fuite d'eau	L'appareil n'est pas de niveau	Régler les pieds à vis pour le mettre de niveau (le cas échéant)
	Evacuation bouchée	Déboucher l'évacuation
	Circuit de vidange bouché	Nettoyer le plancher de l'appareil (le cas échéant)
	Bac à eau endommagé	Appeler un agent POLAR ou un technicien qualifié
	La cuvette de dégivrage déborde	Vider la cuvette de dégivrage (le cas échéant)
L'appareil fait beaucoup de bruit	La sangle de sécurité n'a pas été retirée	Retirer la sangle de sécurité
	Écrou / vis desserrés	Vérifier et resserrer les écrous et vis
	La surface sur laquelle l'appareil a été posé n'est pas de niveau ou l'appareil n'est pas stable	Vérifier la position d'installation et la changer si nécessaire

Messages d'erreur

Le tableau ci-dessous répertorie les causes de déclenchement de messages d'erreur et la réaction consécutive de l'appareil.

Message d'erreur (clignotant)	Cause	Réaction de l'appareil	Solution
HLA	La température intérieure dépasse la température maximum réglée	L'affichage clignote. Alternance du message d'erreur et de la température actuelle	Vérifier le guide de dépannage Si le problème persiste, appeler un agent POLAR ou un technicien qualifié
LEA	La température intérieure dépasse la température minimum réglée	L'affichage clignote. Alternance du message d'erreur et de la température actuelle	Vérifier le guide de dépannage Si le problème persiste, appeler un agent POLAR ou un technicien qualifié
PF1	Court-circuit ou interruption de la ligne d'entrée de la sonde de thermostat	L'affichage clignote	Le compresseur fonctionne conformément au paramètre '=23'
PF2	Court-circuit ou interruption de la ligne d'entrée de la sonde de l'évaporateur	L'affichage clignote	Décongélation conforme aux paramètres dB et d9
HLA	Température intérieure supérieure à 90°C	L'affichage clignote. Alternance du message d'erreur et de la température actuelle	Appeler un agent POLAR ou un technicien qualifié
LLA	Température intérieure inférieure à -45°C	L'affichage clignote. Alternance du message d'erreur et de la température actuelle	Appeler un agent POLAR ou un technicien qualifié

Le message d'alarme ne se manifeste plus quand la cause de l'alarme disparaît, sauf dans les scénarii PF1 et PF2, pour lesquels l'appareil doit être éteint, puis rallumé.

Spécifications techniques

Modèle	Tension	Puissance	Courant	Plage de température	Capacité (litres)	Réfrigérant	Dimensions h x l x p mm	Poids (kg)
G608	230V 50Hz	150W	1A	2°C à 10°C	5 x Bac gastronorme	R134a 120g	435 x 1200 x 330	25
G609	230V 50Hz	150W	1A	2°C à 10°C	7 x Bac gastronorme	R134a 130g	430 x 1500 x 330	29
G610	230V 50Hz	150W	1A	2°C à 10°C	9 x Bac gastronorme	R134a 155g	430 x 1800 x 330	32
G611	230V 50Hz	230W	1,6A	2°C à 10°C	10 x Bac gastronorme	R134a 155g	430 x 2000 x 330	34

Raccordement électrique

La prise doit être reliée à la prise secteur qui convient.

Cet appareil est câblé comme suit :

- Fil conducteur (brun) à la borne marquée L
- Fil neutre (bleu) à la borne marquée N
- Fil de terre (vert / jaune) à la borne marquée E

Cet appareil doit être raccordé à la terre, par le biais d'un circuit de mise à la terre dédié.

En cas de doute, consultez un électricien qualifié.

Les points d'isolation électrique doivent être libres de toute obstruction. En cas de débranchement requis en urgence, ils doivent être facilement accessibles.

Mise au rebut

Les règlements de l'UE exigent que les produits munis de réfrigérants soient mis au rebut par des entreprises spécialisées, équipées pour extraire et recycler les composants à gaz, métalliques et en plastique.

Adressez-vous à votre autorité chargée de la collecte des déchets pour ce qui concerne la mise au rebut de votre appareil. Même si rien n'oblige les autorités locales à se charger de la mise au rebut du matériel de réfrigération commerciale, elles pourraient être en mesure de vous conseiller sur les moyens disponibles localement pour s'en débarrasser.

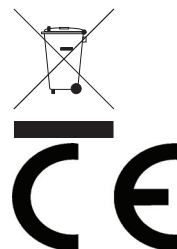
Vous pouvez aussi appeler le standard d'assistance POLAR, qui saura vous renseigner sur les entreprises de prise en charge nationales au sein de l'UE.

Conformité

Le logo WEEE qui figure sur ce produit ou sa documentation indique qu'il ne doit pas être mis au rebut avec les ordures ménagères. Pour éviter qu'il ne présente un risque pour la santé humaine et / ou écologique, confiez la mise au rebut de ce produit à un site de recyclage agréé respectueux de l'environnement. Pour de plus amples détails sur la mise au rebut appropriée de ce produit, contactez le fournisseur du produit ou l'autorité responsable de l'enlèvement des ordures dans votre région.

Les pièces POLAR ont été soumises à des tests rigoureux pour pouvoir être déclarées conformes aux normes et spécifications réglementaires définies par les autorités internationales, indépendantes et fédérales.

Les produits POLAR ont été déclarés aptes à porter le symbole suivant :



Tous droits réservés. La production ou transmission, partielles ou intégrales, sous quelque forme que ce soit ou par n'importe quel moyen, tant électronique que mécanique, sous forme de photocopie, d'enregistrement ou autre de ce mode d'emploi sont interdites sans l'autorisation préalablement accordée par POLAR. Nous nous efforçons, par tous les moyens dont nous disposons, de faire en sorte que les détails contenus dans le présent mode d'emploi soient corrects en date d'impression. Toutefois, POLAR se réserve le droit de changer les spécifications de ses produits sans préavis.

Sicherheitshinweise

- Auf eine flache, stabile Fläche stellen.
- Alle erforderlichen Montage- und Reparaturarbeiten sollten von Wartungspersonal oder einem qualifizierten Techniker durchgeführt werden. Keine Bauteile oder Bedienflächen von diesem Produkt entfernen.
- Für folgende Normen und Vorschriften sind die lokalen und nationalen Normen heranzuziehen:
 - Arbeitsschutzvorschriften
 - BS EN Verhaltenspraktiken
 - Brandschutzvorschriften
 - IEE-Anschlussvorschriften
 - Bauvorschriften
- Das Gerät NICHT mit einem Strahl-/Hochdruckreiniger reinigen.
- Das Gerät NICHT zum Aufbewahren von medizinischen Produkten verwenden.
- KEINE Elektrogeräte im Gerät verwenden (wie Heizgeräte, Eiskremmaschinen usw.)
- NICHT auf den Schrank, die Schubladen oder Türen stellen.
- KEIN ÖL oder Fett mit den Kunststoffteilen oder der Türdichtung in Kontakt kommen lassen. Bei Kontakt sofort reinigen.
- Nur zum Gebrauch in Gebäuden.
- Flaschen mit Alkohol in hoher Konzentration müssen dicht verschlossen und aufrecht stehend im Kühlschrank aufbewahrt werden.
- Das Gerät stets aufrecht tragen, lagern und transportieren. Zum Transport den Schrank an der Unterseite anfassen.
- Vor Reinigungsarbeiten stets zunächst das Gerät abschalten und den Netzstecker ziehen.
- Verpackungsmaterial außerhalb der Reichweite von Kindern aufbewahren und gemäß den lokalen Vorschriften entsorgen.
- Aus Sicherheitsgründen muss ein beschädigtes Stromkabel von einem POLAR-Mitarbeiter oder empfohlenen qualifizierten Elektriker erneuert werden.

Produktbeschreibung

- G608** - 5 POLAR-Behälter (¼) für Tischkühlgeräte zum Servieren
G609 - 7 POLAR-Behälter (¼) für Tischkühlgeräte zum Servieren
G610 - 9 POLAR-Behälter (¼) für Tischkühlgeräte zum Servieren
G611 - 10 POLAR-Behälter (¼) für Tischkühlgeräte zum Servieren

Einführung

Bitte nehmen Sie sich einige Minuten Zeit und lesen Sie dieses Handbuch sorgfältig durch. Nur bei korrekter Wartung und vorschriftsgemäßem Betrieb kann Ihr POLAR-Produkt optimale Leistung erzielen.

Lieferumfang

Folgende Teile befinden sich in der Verpackung:

POLAR-Kühl- oder Tiefkühlgerät	7 Klammern
Glasplatte oben	7 Gewindestifte
Glasplatte hinten	12 Schrauben
2 seitliche Glasplatten	14 Stopfen
Bedienungsanleitung	Gastronorm-Adapterstange
6 Halterungen	4 Regulierbare Füße

POLAR ist stolz auf die hochwertige Qualität seiner Produkte und seinen erstklassigen Service. Wir stellen sicher, dass alle gelieferten Produkte zum Zeitpunkt der Verpackung voll funktionsfähig sind und sich in einwandfreiem Zustand befinden.

Sollten Sie Transportschäden feststellen, wenden Sie sich bitte unverzüglich an Ihren POLAR-Händler.

Montage



Hinweis: Wenn das Gerät nicht aufrecht transportiert oder gelagert wurde, muss es vor Inbetriebnahme rund 12 Stunden aufrecht aufgestellt werden. Im Zweifelsfall lassen Sie es aufrecht stehen.

1. Gerät aus der Verpackung nehmen. Darauf achten, dass die gesamte Plastikfolie und alle Beschichtungen von sämtlichen Flächen entfernt wurden.
2. Zur Belüftung einen Abstand von 20 cm zwischen Gerät und Wänden oder anderen Objekten einhalten. Dieser Abstand muss größer sein, falls es sich bei dem Hindernis um eine Wärmequelle handelt.



Hinweis: Vor dem ersten Einsatz des Geräts die Ablagen und das Geräteinnere mit einer Seifenlauge reinigen.

Das Gerät durch Einstellen der Schraubfüße ausgleichen.

Gläser einsetzen

1. Die Halterungen an den Rand des Geräts anschrauben.



Hinweis: Darauf achten, dass die Bohrung in der Halterung für die Gewindestifte nach innen weist.

2. Die beiden seitlichen Glasplatten in die Halterungen schieben. Darauf achten, dass sich die Bohrungen im Glas oben befinden.



Hinweis: Darauf achten, dass die am weitesten von der Kante der Glasplatte entfernte Gewindebohrung zur Rückseite des Geräts weist.

3. Zur Befestigung der Glasplatten einen Gewindestift in jede Halterung drehen.



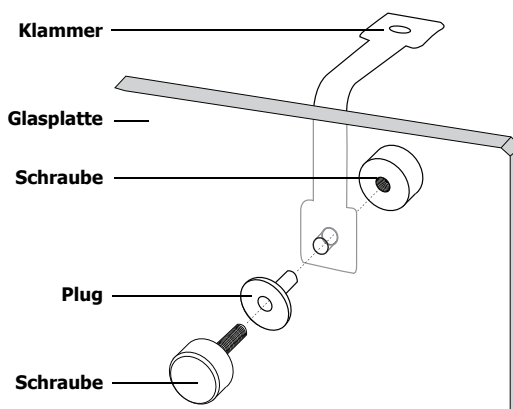
Hinweis: Darauf achten, dass das weiche Ende des Gewindestifts mit dem Glas in Kontakt kommt.

4. Die rückwärtige Fläche in die Halterungen schieben. Darauf achten, dass sich die Bohrungen im Glas oben befinden.
5. Zur Befestigung der Glasplatte einen Gewindestift in jede Halterung drehen.
6. Die Kunststoffstopfen in die Bohrungen stecken.
7. Die Klammern mithilfe der Schrauben innen an den einzelnen Glasplatten sichern.



Hinweis: Das kurze Ende der Schrauben muss sich an der Außenseite der Glasplatten befinden.

8. Die obere Glasfläche auf die Klammern setzen. Dabei müssen alle Bohrungen auf einer Linie liegen.
9. Die Stopfen einstecken und die obere Platte mit den Schrauben an den Klammern befestigen.



Betrieb

Lagerung von Nahrungsmitteln

Sie erzielen die besten Ergebnisse mit Ihrem POLAR-Gerät, wenn Sie folgende Anweisungen beachten:

- Nahrungsmittel dürfen erst nach Erreichen der korrekten Betriebstemperatur im Gerät gelagert werden.
- Darauf achten, dass die Gastronorm-Einsätze stets gefüllt sind. Dies gilt auch dann, wenn die Geräte nicht genutzt werden oder leer sind. Leere Einsätze verringern die Effizienz des Geräts erheblich.
- Nicht die Lüfter im Gerät versperren.

Einschalten

1. Darauf achten, dass der Ein-/Ausschalter auf [O] steht und der Netzstecker eingesteckt ist.
2. Das Gerät einschalten [I]. Die momentane Temperatur im Gerät wird angezeigt.

Bedienfeld



Sperren/Entsperren des Steuerfelds

Steuerfeld sperren:

1. Die OBEN (▲) - und UNTEN (▼) -Tasten gleichzeitig 10 Sekunden lang gedrückt halten.
2. **PoF** blinkt im Display, und die Tastatur ist gesperrt.

Sperre des Steuerfelds aufheben:

1. Die OBEN (▲) - und UNTEN (▼) -Tasten gleichzeitig 10 Sekunden lang gedrückt halten.
2. **Pon** blinkt im Display, und die Tastatursperre ist aufgehoben.

Hinweis: Wenn bei der Arbeit mit dem Steuerfeld 10 Sekunden lang keine Taste gedrückt wird, wechselt das Steuerfeld in den Standby-Modus. Beim Einstellen von Parametern blinkt die Einstellanzeige im Display.

Öffnen des Parameter-Menüs

1. Sofern das Steuerfeld gesperrt ist, muss zunächst die Sperre aufgehoben werden.
2. Die EINSTELL-Taste (SET) gedrückt halten, bis 'd l' im Display blinkt.
3. Die EINSTELL-Taste (SET) bei Bedarf wiederholt drücken, bis der gewünschte Parameter eingeblendet wird (zu Details siehe "Parameterbeschreibungen").

Parameterwert ändern

Hinweis: Ihr POLAR-Gerät ist auf die Standardparameter eingestellt, die im Allgemeinen als für den normalen Betrieb geeignet angesehen werden. POLAR empfiehlt die Verwendung dieser voreingestellten Parameter.

Ändern des Werts (bei Bedarf):

1. Wenn der gewünschte Parameter angezeigt wird, den Wert mithilfe der Schaltflächen NACH OBEN (▲) und NACH UNTEN (▼) ändern.
2. Zum Speichern des Werts die EINSTELL-Taste (SET) drücken.

Hinweis: Die Anzeige wechselt automatisch zum nächsten Parameter. Um in den Standby-Modus zurückzukehren, Timeout-Ereignis der Anzeige abwarten.

Parameterbeschreibungen


Parameter	Name	Beschreibung	Bereich	Standardparameterwerte
d1	Betriebstemperatur	Stellt die Betriebstemperatur des Geräts ein	-2°C bis 10°C	2°C
d2	Temperaturspanne	Die Temperaturspanne gibt an, wie weit die Temperatur über oder unter der Betriebstemperatur liegen darf, bevor der Kompressor startet oder stoppt	0 bis 20°C	2°C
d3	Temperaturbereich	Gibt die niedrigste (d3) und höchste (d4) Temperatur an, zwischen denen die Temperatur liegen kann	-40°C	0°C
d4			95°C	10°C
d5	Intervallen zwischen Kompressoraktivierung	Angabe der Mindestintervallen, bis sich der Kompressor nach dem Einschalten abschaltet	0-999 Sekunden	99
d6	Warnung bei Höchsttemperaturüberschreitung	Den Alarm so einstellen, dass er ertönt, sobald die Temperatur im Gerät die eingestellte Betriebstemperatur um einen gewählten Wert übersteigt	0°C-50°C	50
d7	Verzögerung bis Temperaturspannenalarm	Eine Verzögerung einstellen, bis der Temperaturspannenalarm ausgelöst wird	0-99 Minuten	0
d8	Abtauzyklusintervalle	Die Zeit zwischen den einzelnen Abtauzyklen einstellen	1-999 Stunden	24
d9	Maximale Abtaudauer	Maximale Dauer des Abtauzyklus Hinweis: Die Dauer des Abtauzyklus kann durch Parameter d10 (unten) deaktiviert werden, wenn die Abschalttemperatur vor Ende des Abtauzyklus erreicht wird	0-999 Minuten	1
d10	Abschalttemperatur für Abtauzyklus	Temperatur einstellen, bei der der Abtauzyklus gestoppt wird	-45°C bis 50°C	Entfällt
d11	Verlängerung des Abtauzyklus	Zusätzliche Abtauzeit nach Erreichen des Abschaltpunkts für den Abtauzyklus (sofern erforderlich)	0-99 Minuten	Entfällt
d12	Verzögerte Anzeige der tatsächlichen Temperatur	Die Zeitdauer einstellen, für die die Innentemperatur des Geräts (vor Beginn des Abtauzyklus) nach Ende des Abtauzyklus noch angezeigt wird	0-99 Minuten	0
d13	Kompressor während des Abtauzyklus ein-/ausgeschaltet	Den Kompressor während des Abtauzyklus ein- oder ausschalten	Ein (1) oder Aus (0)	Entfällt
d14	Verdampfer-Trocknungszeit	Zeitdauer einstellen, während der der Kompressor nach einem Abtauzyklus ausgeschaltet bleibt, sodass sich weniger Frost ansammelt	0-99 Minuten	0
=19	Temperatursensoren	Bei Unterschieden zwischen der gemessenen und der tatsächlichen Temperatur kann die gemessene Temperatur verschoben werden, um diesen Unterschied zu kompensieren	-20°C bis 20°C	-5°C
=22	Messeinheit	Eingabe, ob die Temperatur in Grad Celsius oder Fahrenheit angezeigt wird	Grad Celsius (C) oder Fahrenheit (F)	0
=23	Kompressorbetrieb bei Sondausfall	Einstellen, ob der Kompressor während eines Ausfalls der Temperatursonde laufen oder ausgeschaltet bleiben soll	Kompressor läuft (1) Bleibt bis zur Behebung der Störung aus (0) Läuft mit Unterbrechungen bei Parametern =24 und =25 (2)	2
=24	"Ein"-Phase des Kompressors	Zeitdauer einstellen, für die der Kompressor während eines Ausfalls der Temperatursonde eingeschaltet bleibt	1-99 Minuten	10
=25	"Aus"-Phase des Kompressors	Zeitdauer einstellen, für die der Kompressor während eines Ausfalls der Temperatursonde ausgeschaltet bleibt	1-99 Minuten	10
=34	Erstes Abtauen nach Anlaufen	Einstellen, ob das Gerät 10 Minuten nach dem Anlaufen oder nach der in Parameter d8 programmierten Zeit einen Abtauzyklus startet	Startet 10 Minuten nach Anlaufen (0) oder gemäß Programmierung (1)	Entfällt
=38	Mindesttemperaturalarm	Wenn die Innentemperatur im Gerät unter einen bestimmten Wert unterhalb der programmierten Betriebstemperatur fällt, kann das Display auf Blinken eingestellt werden	1°C bis 50°C	40°C

Manuelles Abtauen

Das Gerät startet alle sechs Stunden automatisch einen Abtauzyklus.

 **Hinweis: Der Zyklus startet sechs Stunden nach dem ersten Anlaufen des Geräts.**

Manuelles Abtauen des Geräts:

1. Die Taste ABTAUEN  5 Sekunden lang gedrückt halten
2. Der Abtauzyklus beginnt sofort und die Abtauanzeige leuchtet auf. Der Abtauzyklus dauert maximal 30 Minuten.

 **Hinweis: Durch das manuelle Abtauen wird der automatische Abtautimer zurückgesetzt.**

3. Der nächste automatische Abtauvorgang beginnt sechs Stunden nach Ende des manuellen Abtauens.

Reinigung, Pflege und Wartung

- Vor Reinigungsarbeiten stets zunächst das Gerät abschalten und den Netzstecker ziehen.
- Den Schrank möglichst häufig innen reinigen.
- Keine Scheuermittel verwenden, da diese schädliche Rückstände hinterlassen können.
- Die Türdichtung nur mit Wasser reinigen.
- Nach dem Reinigen stets mit einem Tuch trocknen.
- Zur Reinigung verwendetes Wasser darf nicht durch die Ablauföffnung in die Auffangschale gelangen.
- Vorsicht beim Reinigen der Geräterückseite. Scharfe Kanten können zu Verletzungen führen.
- Erforderliche Reparaturen sollten von einem POLAR-Mitarbeiter oder einem qualifizierten Techniker ausgeführt werden.

Reinigen des Kondensators

Regelmäßiges Reinigen des Kondensators kann die Lebensdauer des Geräts verlängern.

POLAR empfiehlt, den Kondensator von einem POLAR-Mitarbeiter oder qualifizierten Techniker reinigen zu lassen.

Störungssuche

Bei einem Defekt Ihres POLAR-Geräts konsultieren Sie bitte zunächst folgende Tabelle, bevor Sie die Helpline oder Ihren POLAR-Händler anrufen.

Störung	Vermutliche Ursache	Lösung
Das Gerät funktioniert nicht	Das Gerät ist nicht eingeschaltet	Prüfen, ob der Netzstecker in die Steckdose gesteckt wurde und das Gerät eingeschaltet ist
	Stecker und Kabel sind beschädigt	POLAR-Mitarbeiter oder qualifizierten Techniker anrufen
	Sicherung im Stecker ist durchgebrannt	Neue Sicherung in den Stecker einsetzen
	Stromzufuhr	Netzstrom prüfen
	Interner Vernetzungsfehler	POLAR-Mitarbeiter oder qualifizierten Techniker anrufen
Das Gerät lässt sich einschalten, aber die Temperatur ist zu hoch/niedrig	Zu viel Eis auf dem Verdampfer	Das Gerät abtauen
	Kondensator verstaubt	POLAR-Mitarbeiter oder qualifizierten Techniker anrufen
	Türen sind nicht richtig geschlossen	Prüfen, ob die Türen geschlossen und die Dichtungen intakt sind
	Gerät befindet sich in der Nähe einer Wärmequelle, oder der Luftstrom zum Kondensator ist unterbrochen	Den Kühlschrank an einem geeigneteren Ort aufstellen
	Umgebungstemperatur ist zu hoch	Belüftung intensivieren oder Gerät an einem kühleren Ort aufstellen
	Ungeeignete Nahrungs-mittel werden im Gerät aufbewahrt	Einige heiße Nahrungsmittel herausnehmen oder Produkte, die den Lüfter blockieren, entfernen
Gerät ist überlastet	Weniger Nahrungsmittel im Gerät lagern	
Aus dem Gerät läuft Wasser aus	Das Gerät steht nicht gerade	Die Schraubfüße so regulieren, dass das Gerät eben steht (sofern zutreffend)
	Der Ablauf ist verstopft	Den Ablauf säubern
	Wasser kann nicht ablaufen	Den Boden des Geräts von Fremdstoffen reinigen (sofern zutreffend)
	Der Wasserbehälter ist beschädigt	POLAR-Mitarbeiter oder qualifizierten Techniker anrufen
	Die Tropfschale fließt über	Die Tropfschale leeren (sofern zutreffend)
Das Gerät ist ungewöhnlich laut	Der Sicherheitsriemen wurde nicht entfernt	Den Sicherheitsriemen entfernen
	Alle Muttern und Schrauben überprüfen und anziehen	Alle Muttern und Schrauben überprüfen und anziehen
	Das Gerät steht nicht eben oder stabil	Position überprüfen und bei Bedarf ändern

Fehlermeldungen

Folgende Tabelle führt die Ursachen von Störungen und Anzeigen am Gerät auf und empfiehlt Abhilfemaßnahmen.

Fehlermeldung (blinkend)	Ursache	Anzeigen am Gerät	Lösung
<i>HLR</i>	Die Innentemperatur ist höher als die Außentemperatur	Display blinkt Abwechselnd Fehlermeldung und momentane	Dokument zur Störungssuche lesen Wenn das Problem fortbesteht, einen POLAR-Mitarbeiter oder qualifizierten Techniker kontaktieren
<i>LLR</i>	Die Innentemperatur ist höher als die eingestellte Mindesttemperatur	Display blinkt Abwechselnd Fehlermeldung und momentane	Dokument zur Störungssuche lesen Wenn das Problem fortbesteht, einen POLAR-Mitarbeiter oder qualifizierten Techniker kontaktieren
<i>PF 1</i>	Kurzschluss oder Unterbrechung der Eingabeleitung der Thermostatsonde	Display blinkt	Kompressor läuft wie mit Parameter '=23' angegeben
<i>PF 2</i>	Kurzschluss oder Unterbrechung der Eingabeleitung der Verdampfersonde	Display blinkt	Abtauen gemäß Parametern <i>d8</i> und <i>d9</i>
<i>HLR</i>	Innentemperatur ist höher als 90°C	Display blinkt Abwechselnd Fehlermeldung und momentane	POLAR-Mitarbeiter oder qualifizierten Techniker anrufen
<i>LLR</i>	Innentemperatur ist niedriger als -45°C	Display blinkt Abwechselnd Fehlermeldung und momentane	POLAR-Mitarbeiter oder qualifizierten Techniker anrufen

Die Alarmmeldung wird nicht mehr eingeblendet, sobald das den Alarm auslösende Ereignis nicht mehr vorliegt. Eine Ausnahme bilden PF1 und PF2 - in diesen Fällen muss das Gerät erst aus- und dann wieder eingeschaltet werden.

Technische Spezifikationen

Modell	Spannung	Leistung	Stromstärke	Temperaturbereich	Füllmenge	Kühlmittel	Abmessungen h x b x t mm	Gewicht (kg)
G608	230V 50Hz	150W	1A	2°C bis 10°C	5 x Gastronorm-Behälter (¼)	R134a 120g	435 x 1200 x 330	25
G609	230V 50Hz	150W	1A	2°C bis 10°C	7 x Gastronorm-Behälter (¼)	R134a 130g	430 x 1500 x 330	29
G610	230V 50Hz	150W	1A	2°C bis 10°C	9 x Gastronorm-Behälter (¼)	R134a 155g	430 x 1800 x 330	32
G611	230V 50Hz	230W	1,6A	2°C bis 10°C	10 x Gastronorm-Behälter (¼)	R134a 155g	430 x 2000 x 330	34

Elektroanschlüsse

Der Stecker muss in eine geeignete Steckdose gesteckt werden.

Das Gerät ist wie folgt verdrahtet:

- Stromführender Leiter (braun) an Klemme L
- Neutraleiter (blau) an Klemme N
- Erdleiter (grün/gelb) an Klemme E

Das Gerät muss über eine spezielle Erdleitung geerdet werden.

Bei Fragen wenden Sie sich bitte an einen qualifizierten Elektriker.

Elektroisolierpunkte dürfen nicht blockiert werden. Bei einem Notstopp müssen diese Punkte jederzeit sofort zugänglich sein.

Entsorgung

Gemäß EU-Vorschriften müssen Kühlprodukte von Fachunternehmen entsorgt werden, die alle Gase, Metall- und Kunststoffbauteile entfernen oder recyceln.

Ihre Kommunalverwaltung kann Sie über die Entsorgung Ihres Geräts informieren. Kommunalbehörden sind nicht verpflichtet, gewerbliche Kühlgeräte zu entsorgen. Sie können Sie jedoch über lokale Annahmestellen informieren, die diese Geräte entsorgen.

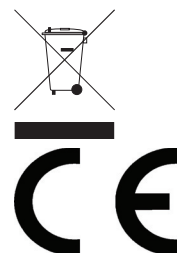
Oder rufen Sie die POLAR-Helpline an. Wir verfügen über eine Liste nationaler Entsorger in den EU-Staaten.

Konformität

Das WEEE-Logo an diesem Produkt oder in der Dokumentation weist darauf hin, dass das Produkt nicht mit dem normalen Hausmüll entsorgt werden darf. Um potenziellen Gesundheits- bzw. Umweltschäden vorzubeugen, muss das Produkt durch einen zugelassenen und umweltverträglichen Recyclingprozess entsorgt werden. Ausführliche Informationen zur korrekten Entsorgung dieses Produkts erhalten Sie von Ihrem Produktlieferanten oder der für die Müllentsorgung in Ihrer Region zuständige Behörde.

Alle POLAR-Produkte werden strengen Tests unterzogen, um die Einhaltung von Normen und Spezifikationen internationaler und nationaler Behörden und unabhängiger Organisationen zu gewährleisten.

POLAR-Produkte dürfen durch folgendes Symbol gekennzeichnet werden:



Alle Rechte vorbehalten. Diese Anleitung darf ohne vorherige schriftliche Genehmigung von POLAR weder ganz noch teilweise in irgendeiner Form oder auf irgendeinem Wege - einschließlich elektronischer, mechanischer Verfahren, durch Fotokopieren, Aufnahme oder andere Verfahren - vervielfältigt oder übertragen werden.

Es werden alle Anstrengungen unternommen um sicherzustellen, dass alle Angaben bei der Drucklegung korrekt sind. POLAR behält sich jedoch das Recht vor, Spezifikationen ohne Vorankündigung zu ändern.

Suggerimenti per la sicurezza

- Posizionare il fabbricatore di ghiaccio su una superficie in piano e stabile.
- L'installazione e le eventuali riparazioni devono venire eseguite da un agente/tecnico qualificato. Non rimuovere i componenti o i pannelli di accesso dell'apparecchio.
- Verificare la conformità alle normative locali e nazionali di quanto segue:
 - Normativa antinfortunistica sul lavoro
 - Linee guida BS EN
 - Precauzioni antincendio
 - Normativa IEE sui circuiti elettrici
 - Norme di installazione
- NON utilizzare sistemi di lavaggio a getto o pressione per pulire l'apparecchio.
- NON utilizzare l'apparecchio per conservare presidi medico-sanitari.
- NON utilizzare apparecchiature elettriche all'interno dell'apparecchio (ad esempio, gelatiere, ecc.)
- NON stare in piedi o in altro sostenersi alla base, ai cassetti o ai portelli.
- NON mettere a contatto olio o grassi con i componenti in plastica o con la guarnizione dei portelli. Pulire immediatamente in caso di contatto.
- Per esclusivo uso in ambienti chiusi.
- Le bottiglie contenenti una elevata percentuale di alcool devono venire sigillate e posizionate verticalmente nel frigorifero.
- Trasportare, immagazzinare e movimentare l'apparecchio sempre in posizione verticale e spostarlo mantenendone la base.
- Spegnere e disconnettere l'alimentazione dell'unità prima di pulirla.
- Tenere lontano l'imballaggio dalla portata dei bambini. Smaltire l'imballaggio in conformità alle normative locali.
- Se danneggiato, il cavo di alimentazione deve venire sostituito da un agente POLAR o da un tecnico qualificato al fine di prevenire eventuali rischi.

Descrizione dei prodotti

G608 - Banco refrigerato preparazione/servizio con piano di lavoro, 5 contenitori da ¼ POLAR

G609 - Banco refrigerato preparazione/servizio con piano di lavoro, 7 contenitori da ¼ POLAR

G610 - Banco refrigerato preparazione/servizio con piano di lavoro, 9 contenitori da ¼ POLAR

G611 - Banco refrigerato preparazione/servizio con piano di lavoro, 10 contenitori da ¼ POLAR

Introduzione

Leggere con attenzione il presente manuale. La manutenzione e l'utilizzo corretti di questo apparecchio consentiranno di ottenere le massime prestazioni da questo prodotto POLAR.

Contenuto dell'imballaggio

L'imballaggio contiene quanto segue:

- Frigorifero o congelatore POLAR
- Pannello in vetro superiore
- Pannello in vetro posteriore
- Pannelli in vetro laterali 2x
- Manuale di istruzioni
- Collari 6x
- Staffe 7x
- Gambi filettati 7x
- Viti 12x
- Tappi 14x
- Separatori gastronorm
- Piedi regolabili 4x

POLAR garantisce una qualità e un servizio impeccabili e assicura che al momento dell'imballaggio tutti i componenti forniti sono integralmente funzionanti e privi di difetti.

Nel caso siano rilevati danni risultanti dal trasporto del prodotto, rivolgersi immediatamente al rivenditore POLAR locale.

Installazione



Nota: se l'apparecchio è stato immagazzinato o spostato in posizione non verticale, lasciarlo in posizione verticale per circa 12 ore prima di metterlo in funzione. In caso di dubbio, osservare comunque questa precauzione.

1. Rimuovere l'apparecchio dall'imballaggio. Assicurarsi che la pellicola protettiva e rivestimenti in plastica siano interamente rimossi da tutte le superfici.
2. Osservare una distanza di 20 cm tra l'unità e le pareti o altri oggetti al fine di assicurare la necessaria ventilazione. Aumentare questa distanza se in prossimità di una sorgente di calore.



Nota: prima di utilizzare l'apparecchio per la prima volta, pulire i ripiani e l'interno dell'apparecchio con acqua saponata.

3. Mettere in piano l'apparecchio regolando i piedi.

Montaggio dei pannelli in vetro (solo G623)

1. Avvitare i collari al bordo dell'apparecchio.



Note: assicurarsi che il foro nel collare per il gambo filettato sia rivolto verso l'interno.

2. Inserire i due pannelli laterali nei collari, con i fori del vetro rivolti verso l'alto.



Nota: assicurarsi che il foro della vite più lontano dal bordo del pannello sia in corrispondenza della parte posteriore dell'apparecchio.

3. Avvitare un gambo filettato in ogni collare per fissare i pannelli.



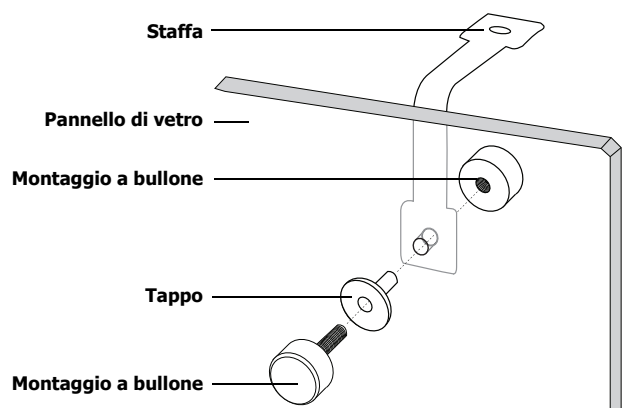
Nota: assicurarsi che l'estremità morbida del gambo filettato sia l'estremità a contatto con il vetro.

4. Inserire il pannello posteriore nei collari, con i fori del vetro rivolti verso l'alto.
5. Avvitare un gambo filettato in ogni collare per fissare il pannello.
6. Inserire i tappi in plastica in ognuno dei fori.
7. Avvitare le staffe all'interno di ogni pannello utilizzando i montaggi a bullone.



Nota: assicurarsi che l'estremità breve del montaggio a bullone si trovi sul lato esterno dei pannelli.

8. Posizionare il pannello superiore sulle staffe, assicurandosi che tutti i fori siano allineati.
9. Inserire i tappi e fissare il pannello superiore alle staffe utilizzando i montaggi a bullone.



Funzionamento

Conservazione dei cibi

Per ottenere i migliori risultati dall'apparecchio POLAR, osservare le seguenti istruzioni:

- Conservare i cibi nell'apparecchio solo quando esso ha raggiunto la corretta temperatura di esercizio.
- Assicurarsi che gli alloggiamenti gastronom siano sempre occupati anche se i gastronom non sono utilizzati o sono vuoti. Gli alloggiamenti vuoti riducono in maniera significativa l'efficienza dell'apparecchio.
- Non ostruire le ventole all'interno dell'apparecchio.

Accensione

1. Assicurarsi che l'interruttore dell'alimentazione sia impostato su [O] e acceso alla presa.
2. Accendere l'alimentazione [I]. Viene visualizzata la temperatura corrente all'interno dell'apparecchiatura.

Pannello di controllo



Blocco/sblocco del pannello di controllo

Per bloccare il pannello di controllo:

1. Premere senza rilasciare i pulsanti SU (▲) e GIÙ (▼) contemporaneamente per 10 secondi.
2. *PoF* lampeggia nel display e la tastiera viene bloccata.

Per sbloccare il pannello di controllo:

1. Premere senza rilasciare i pulsanti SU (▲) e GIÙ (▼) contemporaneamente per 10 secondi.
2. *PoN* lampeggia nel display e la tastiera viene sbloccata.



Nota: Se non viene premuto per 10 secondi quando si utilizza il pannello di controllo, un pulsante va in timeout e ritorna nella modalità standby. Quando vengono impostati i parametri, la spia Setpoint lampeggia nel display.

Accesso al menu dei parametri

1. Sbloccare il pannello di controllo, se bloccato.
2. Premere senza rilasciare il pulsante SET (IMPOSTA) (SET) fino a quando 'd l' non lampeggia nel display.
3. Se necessario, premere ripetutamente il pulsante SET (SET) per scorrere fino al parametro desiderato (vedere "Descrizioni dei parametri" per informazioni dettagliate sui parametri).

Modifica dei valori dei parametri



Nota: l'apparecchio POLAR è preimpostato con valori predefiniti generalmente appropriati per un utilizzo normale. POLAR raccomanda l'utilizzo di questi valori preimpostati.

Per modificare il valore, (se necessario):

1. Visualizzare il parametro desiderato e modificare il valore utilizzando i pulsanti SU (▲) e GIÙ (▼).
2. Premere il pulsante IMPOSTA (SET) per memorizzare il valore.



Nota: il pannello di controllo passa automaticamente al parametro successivo. Per ritornare alla modalità standby attendere il timeout del pannello di controllo.

Descrizioni dei parametri

Parametro	Nome	Descrizione	Intervallo	Valori dei parametri predefiniti
d1	Temperatura di esercizio	Impostare la temperatura di esercizio dell'apparecchio	Da -2°C a 10°C	2°C
d2	Differenziale di temperatura	Il differenziale di temperatura è la differenza di temperatura consentita al di sopra e al di sotto della temperatura di esercizio, prima che il compressore si avvii o si arresti	Da 0 a 20°C	2°C
d3	Intervallo di temperatura	Impostare la temperatura minima (d3) e massima (d4) tra cui può variare la temperatura dell'apparecchio	-40°C	0°C
d4			95°C	10°C
d5	Intervalli temporali di attivazione compressore	Immettere l'intervallo temporale minimo tra la spegnimento e l'accensione del compressore	0-999 secondi	99
d6	Allarme differenziale di temperatura massimo	Impostare un allarme acustico quando la temperatura all'interno dell'apparecchio supera di un valore specificato la temperatura di esercizio impostata	0°C-50°C	50
d7	Ritardo allarme differenziale di temperatura	Impostare un ritardo di attivazione dell'allarme del differenziale di temperatura	Da 0 a 99 minuti	0
d8	Intervallo cicli di sbrinamento	Impostare l'intervallo di tempo tra ogni ciclo di sbrinamento	Da 1 a 99 ore	24
d9	Durata massima sbrinamento	Impostare la lunghezza massima del ciclo di sbrinamento. Nota: la durata dello sbrinamento può venire sovrascritta dal parametro d10 (di seguito), se la temperatura di disattivazione sbrinamento viene raggiunta prima della fine della durata dello sbrinamento	Da 0 a 999 minuti	1
d10	Temperatura di disattivazione sbrinamento	Impostare la temperatura di arresto dello sbrinamento	-45°C to 50°C	n/d
d11	Periodo supplementare di disattivazione sbrinamento	Impostare un periodo di sbrinamento supplementare successivo al raggiungimento del punto di disattivazione sbrinamento (se necessario)	Da 0 a 99 minuti	n/d
d12	Display temperatura effettiva ritardata	Impostare il periodo di tempo in cui la temperatura interna dell'apparecchio (prima dell'avvio dello sbrinamento) viene visualizzata dopo il termine di un ciclo di sbrinamento	Da 0 a 99 minuti	0
d13	Compressore acceso/spento durante lo sbrinamento	Accendere/spegnere il compressore durante il ciclo di sbrinamento	Acceso (I) o spento (II)	n/d
d14	Tempo di asciugatura evaporatore	Impostare il periodo di tempo in cui il compressore rimane spento dopo un ciclo di sbrinamento riducendo la formazione di ghiaccio	Da 0 a 99 minuti	0
=19	Compensazione della temperatura	Nel caso si verifichi uno scostamento tra la temperatura misurata e la temperatura effettiva, è possibile compensare la temperatura misurata	Da -20°C a 20°C	-5°C
=22	Unità di misura	Impostare se la temperatura deve venire visualizzata in gradi centigradi o Fahrenheit	Centigradi (II) o Fahrenheit (I)	0
=23	Funzionamento compressore durante un errore di sonda	Impostare se il compressore deve rimanere in funzione o spegnersi durante un errore di sonda temperatura	Il compressore è in funzione (I). Rimane spento fino a quando non viene risolto il guasto (II). Funziona in maniera intermittente con i parametri=24 e =25 (2)	2
=24	Durata accensione del compressore	Impostare il periodo di tempo in cui il compressore rimane spento durante un errore di sonda temperatura	Da 1 a 99 minuti	10
=25	Durata spegnimento del compressore	Impostare il periodo di tempo in cui il compressore rimane spento durante un errore di sonda temperatura	Da 1 a 99 minuti	10
=34	Sbrinamento iniziale dopo l'avvio	Impostare se l'apparecchio deve avviare un ciclo di sbrinamento 10 minuti dopo l'avvio oppure dopo il periodo di tempo programmato nel parametro d8	Inizia 10 minuti dopo l'avvio (II) oppure quando programmato (I)	n/d
=38	Allarme temperatura minima	Impostare il display perché lampeggi quando la temperatura interna dell'apparecchio scende di un valore specificato al di sotto della temperatura di esercizio programmata	Da 1°C a 50°C	40°C

Sbrinamento manuale

L'apparecchio esegue automaticamente un ciclo di sbrinamento ogni sei ore.



Nota: il ciclo inizia dall'ora in cui l'apparecchio viene collegato per la prima volta all'alimentazione elettrica.

Per sbrinare manualmente l'apparecchio:

1. Premere senza rilasciare il pulsante SBRINAMENTO per 5 secondi.
2. Il ciclo di sbrinamento inizia immediatamente e la spia di sbrinamento si accende. Lo sbrinamento ha una durata massima di 30 minuti.



Nota: l'avvio dello sbrinamento manuale reimposta anche il timer di sbrinamento automatico. Il successivo sbrinamento automatico inizierà sei ore dopo la conclusione dello sbrinamento manuale.

3. L'acqua reflua viene raccolta nella vaschetta dell'acqua reflua.

Pulizia e manutenzione

- Prima di eseguire la pulizia, spegnere e scollegare l'alimentazione.
- Pulire l'interno dell'apparecchio quanto più spesso possibile.
- Non utilizzare detergenti abrasivi in quanto possono lasciare residui nocivi.
- Pulire la guarnizione di tenuta dei portelli solo con acqua.
- Asciugare sempre dopo la pulizia.
- Non permettere che l'acqua utilizzata per la pulizia penetri attraverso il foro di scarico nella vasca di evaporazione.
- Prestare attenzione durante la pulizia della parte posteriore dell'apparecchio. Gli attrezzi con bordi taglienti possono provocare tagli.
- Le riparazioni devono venire eseguite da un tecnico qualificato o da un agente POLAR.

Pulizia del condensatore

La pulizia periodica del condensatore consente di prolungare il ciclo di vita dell'apparecchio.

La pulizia del condensatore deve venire eseguita da un tecnico qualificato o da un agente POLAR.

Risoluzione dei problemi

Se dovessero verificarsi guasti dell'apparecchio POLAR, controllare la tabella seguente prima di contattare la helpline telefonica o il rivenditore POLAR.

Guasto	Probabile causa	Azione
L'apparecchio non funziona	L'apparecchio non è acceso	Controllare che l'apparecchio sia correttamente collegato e acceso
	La presa e il cavo sono danneggiati	Rivolgersi a un tecnico qualificato o a un agente POLAR
	Il fusibile della presa è guasto	Sostituire il fusibile della presa
	Alimentazione	Controllare l'alimentazione
	Guasto dei circuiti interni	Rivolgersi a un tecnico qualificato o a un agente POLAR
L'apparecchio si accende ma la temperatura è troppo alta o troppo bassa	Quantità eccessiva di ghiaccio nell'evaporatore	Sbrinare l'apparecchio
	Il condensatore è bloccato dalla polvere	Rivolgersi a un tecnico qualificato o a un agente POLAR
	I portelli non sono chiusi in maniera appropriata	Controllare che i portelli siano chiusi e che le guarnizioni di tenuta non siano danneggiate
	L'apparecchio è posizionato in prossimità di una sorgente di calore oppure il flusso di aria al condensatore è interrotto	Spostare il frigorifero in una posizione più appropriata
	La temperatura ambientale è troppo alta	Aumentare la ventilazione oppure spostare l'apparecchio in una posizione più fresca
	Sono stati conservati nell'apparecchio cibi non appropriati	Rimuovere i cibi eccessivamente caldi o le ostruzioni della ventola
	L'apparecchio è sovraccarico	Ridurre la quantità dei cibi presenti nell'apparecchio
L'apparecchio perde acqua	L'apparecchio non è in posizione piana	Regolare i piedi al fine di mantenere in piano l'apparecchio (se pertinente)
	La bocca di scarico è bloccata	Pulire la bocca di scarico
	Il movimento dell'acqua verso lo scarico è ostruito	Pulire il pavimento dell'apparecchio (se pertinente)
	Il contenitore dell'acqua è danneggiato	Rivolgersi a un tecnico qualificato o a un agente POLAR
	La vaschetta di raccolta dell'acqua di sbrinamento è troppo piena	Svuotare la vaschetta di raccolta dell'acqua di sbrinamento (se pertinente)
L'apparecchio presenta una rumorosità eccessiva	La fascia di sicurezza non è stata rimossa	Rimuovere la fascia di sicurezza
	Dadi o viti allentati	Controllare e serrare tutti i dadi e le viti
	L'apparecchio non è stato installato in una posizione in piano o stabile	Controllare la posizione di installazione e modificarla se necessario

Messaggi di errore

La tabella seguente indica in dettaglio la causa e la corrispondente risposta agli errori dell'apparecchio.

Messaggio di errore (lampeggio)	Causa	Risposta dell'apparecchio	Azione
H _{LR}	La temperatura interna supera la temperatura massima impostata	Il display lampeggia alternando il messaggio di errore e la temperatura corrente	Consultare la guida alla risoluzione dei problemi. Se il problema persiste, rivolgersi a un tecnico qualificato o a un agente POLAR
L _{LR}	La temperatura interna supera la temperatura minima impostata	Il display lampeggia alternando il messaggio di errore e la temperatura corrente	Consultare la guida alla risoluzione dei problemi. Se il problema persiste, rivolgersi a un tecnico qualificato o a un agente POLAR
PF1	Cortocircuito o interruzione della linea di ingresso della sonda termostato	Il display lampeggia	Il compressore funziona come specificato dal parametro '=23'
PF2	Short circuit or interruption of the evaporator probe input line	Il display lampeggia	Viene eseguito lo sbrinamento come specificato dai parametri dB e d9
H _{LR}	Temperatura interna superiore a 90°C	Il display lampeggia alternando il messaggio di errore e la temperatura corrente	Rivolgersi a un tecnico qualificato o a un agente POLAR
L _{LR}	Temperatura interna inferiore a -45°C	Il display lampeggia alternando il messaggio di errore e la temperatura corrente	Rivolgersi a un tecnico qualificato o a un agente POLAR

Il messaggio di allarme termina quando la condizione di allarme non risulta più presente, a eccezione di PF1 e PF2 che richiedono di spegnere e quindi riaccendere l'apparecchio.

Specifiche tecniche

Model	Voltage	Power	Current	Temperature Range	Capacity	Refrigerant	Dimensions H x W x D (mm)	Weight (Kg)
G608	230V 50Hz	150W	1A	Da 2°C a 10°C	5 x Contenitore gastronorm ¼	R134a 120g	435 x 1200 x 330	25
G609	230V 50Hz	150W	1A	Da 2°C a 10°C	7 x Contenitore gastronorm ¼	R134a 130g	430 x 1500 x 330	29
G610	230V 50Hz	150W	1A	Da 2°C a 10°C	9 x Contenitore gastronorm ¼	R134a 155g	430 x 1800 x 330	32
G611	230V 50Hz	230W	1,6A	Da 2°C a 10°C	10 x Contenitore gastronorm ¼	R134a 155g	430 x 2000 x 330	34

Cablaggi elettrici

La spina deve venire collegata a una presa di rete appropriata.

L'apparecchio ha i seguenti cablaggi:

- Filo sotto tensione (colore marrone) a terminale L
- Filo del neutro (colore blu) a terminale N
- Filo di terra (colore verde/giallo) a terminale E

L'apparecchio deve avere un circuito dedicato di messa a terra.

In caso di dubbi, consultare un elettricista qualificato.

I punti di isolamento elettrico devono essere liberi da ostruzioni. In caso di emergenza, i punti devono essere facilmente raggiungibili qualora sia necessario scollegarli.

Smaltimento

Le normative UE prevedono che lo smaltimento dei prodotti di refrigerazione sia eseguito da aziende specializzate nella rimozione o nel riciclaggio di tutti i gas e dei componenti in metallo e plastica.

Rivolgersi all'ente locale incaricato per informazioni sullo smaltimento di questo apparecchio. Gli enti locali non hanno l'obbligo di procedere allo smaltimento di apparecchi di refrigerazione commerciali ma sono in grado di fornire suggerimenti sulla modalità di smaltimento di tali apparecchi.

In alternativa, chiamare la helpline telefonica di POLAR per ricevere informazioni dettagliate sulle aziende di smaltimento nella UE.

Conformità

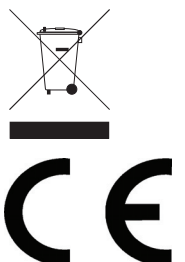
Il logo WEEE riportato su questo prodotto o sulla relativa documentazione indica che il prodotto non può essere smaltito come normale rifiuto domestico. Per evitare possibili danni alla salute e/o all'ambiente, il prodotto deve venire smaltito utilizzando una procedura di riciclaggio approvata e sicura per l'ambiente. Per ulteriori informazioni su come smaltire in maniera corretta questo prodotto, contattare il fornitore del prodotto o l'ente locale responsabile per lo smaltimento dei rifiuti.

I componenti POLAR sono stati sottoposti a un rigoroso collaudo ai fini della conformità agli standard e alle specifiche normative previste dalle autorità internazionali, indipendenti e federali.

I prodotti POLAR sono autorizzati a esporre il seguente simbolo:

Tutti i diritti riservati. È vietata la riproduzione o la trasmissione in alcuna forma, elettronica, meccanica, mediante fotocopiatura o altro sistema di riproduzione, di qualsiasi parte delle presenti istruzioni senza la previa autorizzazione scritta di POLAR.

Le informazioni contenute sono corrette e accurate al momento della stampa, tuttavia POLAR si riserva il diritto di modificare le specifiche senza preavviso.



Consejos de Seguridad

- Colóquela sobre una superficie plana, estable.
- Un agente de servicio / técnico cualificado debería llevar a cabo la instalación y cualquier reparación si se precisa. No retire ningún componente ni panel de servicio de este producto.
- Consulte las Normas Locales y Nacionales correspondientes a lo siguiente:
 - Legislación de Seguridad e Higiene en el Trabajo
 - Códigos de Práctica BS EN
 - Precauciones contra Incendios
 - Normativos de Cableado de la IEE
 - Normativas de Construcción
- No utilice dispositivos de lavado de chorro / presión para limpiar el aparato.
- NO utilice este aparato para almacenar existencias médicas.
- NO utilice aparatos eléctricos en el interior del aparato (por ejemplo, calentadores, máquinas de hacer helados, etc.)
- NO se ponga de pie ni se apoye sobre la base, los cajones o las puertas.
- NO deje que el aceite o la grasa entren en contacto con los componentes de plástico o la junta de la puerta. Limpie el aparato inmediatamente si se produce contacto.
- Sólo adecuado para uso en interiores.
- Las botellas que contienen un alto porcentaje de alcohol deben sellarse y colocarse verticalmente en el frigorífico.
- Siempre debe transportar, almacenar y manipular el aparato verticalmente y moverlo cogiéndolo de la base.
- Desconecte la máquina y desenchúfela del suministro eléctrico de la unidad siempre antes de llevar a cabo la limpieza.
- Mantenga el embalaje lejos del alcance de los niños. Deshágase del embalaje de acuerdo con las normativas de las autoridades locales.
- Si el cable eléctrico está dañado, debe ser reemplazado por un agente de POLAR o un técnico cualificado recomendado para evitar cualquier riesgo.

Descripción del Producto

Frigoríficos para preparados / aperitivos de mostrador tipo contenedor **G608**
- POLAR 5 x ¼

Frigoríficos para preparados / aperitivos de mostrador tipo contenedor **G609**
- POLAR 7 x ¼

Frigoríficos para preparados / aperitivos de mostrador tipo contenedor **G610**
- POLAR 9 x ¼

Frigoríficos para preparados / aperitivos de mostrador tipo contenedor **G611**
- POLAR 10 x ¼

Introducción

Tómese unos minutos para leer este manual. El correcto mantenimiento y manejo de esta máquina proporcionará el mejor funcionamiento posible de su producto POLAR.

Contenido del Conjunto

Se incluye lo siguiente:

- Frigorífico o Congelador POLAR
- Soportes x 7
- Panel de cristal superior
- Tornillos de cabeza hendida x 7
- Panel de cristal trasero
- Tornillos x 12
- Paneles de cristal laterales x 2
- Enchufes x 14
- Manual de instrucciones
- Barra adaptadora Gastranorm
- Casquillos x 6
- Patas ajustables x 4

POLAR se enorgullece de su calidad y servicio y asegura que en el momento del embalaje, el contenido se suministró con plena funcionalidad y sin ningún defecto.

Si encontrara algún daño resultante del transporte, póngase en contacto inmediatamente con su distribuidor POLAR.

Instalación



Nota: Si el aparato no se ha almacenado o transportado en posición vertical, déjelo en posición vertical durante aproximadamente 12 horas antes del funcionamiento. Si tiene alguna duda, deje el aparato en posición vertical.

1. Desembale el aparato. Asegúrese de que todos los revestimientos y las láminas de plástico de protección se hayan quitado totalmente de todas las superficies.
2. Mantenga una distancia de 20 cm (7 pulgadas) entre la unidad y las paredes u otros objetos para ventilación. Aumente la distancia si el obstáculo es una fuente de calor.



Nota: antes de utilizar el aparato por primera vez, limpie los estantes y el interior con agua con jabón.

3. Nivele el aparato ajustando la pata enroscada.

Montaje de los Paneles de Cristal

1. Enrosque los casquillos al armazón del aparato.



Nota: asegure el agujero en el casquillo de modo que las superficies de los tornillos de cabeza hendida miren hacia dentro.

2. Introduzca los dos paneles laterales en los casquillos, con los agujeros en el cristal en la parte superior.



Nota: asegúrese de que el agujero del tornillo más allá del borde del panel se desplace hasta la parte trasera del aparato.

3. Enrosque un tornillo de cabeza hendida en cada uno de los collares para fijar los paneles.



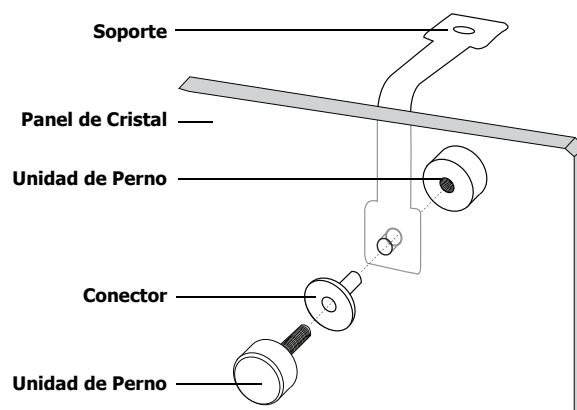
Nota: Asegúrese de que el extremo suave del tornillo de cabeza hendida sea el extremo de contacto con el cristal.

4. Introduzca el panel trasero en los casquillos, con los agujeros en el cristal en la parte superior.
5. Enrosque un tornillo de cabeza hendida en cada uno de los collares para fijar el panel.
6. Introduzca las clavijas de plástico en cada uno de los agujeros.
7. Enrosque los soportes en el interior de cada una de las láminas de cristal mediante las unidades de perno.



Nota: asegúrese de que el extremo corto de la unidad de perno esté en la parte exterior de los paneles.

8. Coloque el panel superior sobre los soportes, asegurándose de que todos los paneles estén alineados.
9. Inserte las clavijas y acople el panel superior a los soportes con las unidades de perno.



Funcionamiento

Almacenamiento de comida

Para obtener los mejores resultados de su aparato POLAR, siga estas instrucciones:

- Guarde alimentos en el aparato sólo cuando haya alcanzado la temperatura de funcionamiento correcta.
- Asegúrese de que los recipientes gastronorm estén llenos en todo momento, incluso si los gastronorms no se utilizan o están vacíos. Los recipientes vacíos reducirán en gran medida la eficiencia del aparato.
- No obstruya los ventiladores en el interior del aparato.

Activación

1. Asegúrese de que el interruptor de activación esté ajustado en [O] y conéctelo a la toma.
2. Conecte la Alimentación [I]. Se muestra la temperatura actual en el aparato.

Panel de control



Bloqueo / Desbloqueo del Panel de Control

Para bloquear el panel de control:

1. Pulse y mantenga pulsados los botones UP y DOWN simultáneamente durante 10 segundos.
2. **PoF** se ilumina de forma intermitente en la pantalla y se bloquean los botones.

Para desbloquear el panel de control:

1. Pulse y mantenga pulsados los botones UP y DOWN simultáneamente durante 10 segundos.
2. **PoF** ilumina de forma intermitente en la pantalla y se desbloquean los botones.



Nota: Si no se pulsa un botón durante 10 segundos durante la utilización del panel de control, éste se apaga y pasa al modo de espera. Cuando se estén ajustando los parámetros, el LED Setpoint se iluminará de forma intermitente en la pantalla.

Entre en el Menú de Parámetros

1. Desbloquee el panel de control, si está bloqueado.
2. Pulse y mantenga pulsado el botón SET hasta que **d /** se ilumine de forma intermitente en la pantalla.
3. Si fuera preciso, pulse el botón SET repetidamente para desplazarse hasta el parámetro deseado (vea "Descripción de los parámetros" para obtener detalles sobre los parámetros).

Modificación de los valores de los parámetros



Nota: su aparato POLAR ha sido preajustado con parámetros por defecto que en general se consideran adecuados para un uso norma. POLAR recomienda utilizar estos valores preajustados.

Para modificar el valor (si fuera preciso):

1. Con el parámetro deseado visualizado, modifique el valor utilizando los botones UP (MÁS) y DOWN (MENOS).
2. Pulse el botón SET para almacenar el valor.



Nota: el panel de control pasará automáticamente al siguiente parámetro. Para volver al modo de espera, deje que el panel de control agote el tiempo.

Descripción de los parámetros

Parámetro	Nombre	Descripción	Margen	Rango en función del modelo)
d1	Temperatura de funcionamiento	Ajuste la temperatura de funcionamiento del aparato	De -2°C a 10°C	2°C
d2	Diferencial de Temperatura	El Diferencial de Temperatura es la diferencia de temperatura permitida por encima y por debajo de la temperatura de funcionamiento antes de que el compresor se ponga en funcionamiento / se pare	De 0 a 20°C	2°C
d3	Margen de Temperaturas	Ajuste las temperaturas mínima (d3) y máxima (d4) entre las cuales puede fluctuar el aparato	-40°C	0°C
d4			95°C	10°C
d5	Intervalos de Tiempo de Activación del Compresor	Intervalos de Tiempo - Introduzca el intervalo de tiempo mínimo entre la desactivación y la activación del compresor	0-999 segundos	99
d6	Alarma de Diferencial de Temperatura Máxima	Ajuste una alarma para que suene si la temperatura en el interior del aparato sobrepasa la temperatura de funcionamiento ajustada en una cantidad especificada	0°C-50°C	50
d7	Retardo de la Alarma de Diferencial de Temperatura	Ajuste un retardo antes de que se dispare la alarma de diferencial de temperatura	0-99 minutos	0
d8	Tiempo de Ciclo de Descongelación	Ajuste el tiempo entre cada ciclo de descongelación	1-999 horas	24
d9	Duración de Descongelación Máxima	Ajuste la longitud máxima del ciclo de descongelación. Nota: la duración de descongelación puede anularse mediante el parámetro d10 (vea más abajo) si se alcanza la temperatura de desactivación antes del final de la duración de descongelación	0-999 minutos	1
d10	Temperatura de Desactivación de Descongelación	Ajuste la temperatura de desactivación de descongelación	De -45°C a 50°C	no ap.
d11	Período de Descongelación de Desactivación Adicional	Ajuste una cantidad adicional de tiempo de descongelación tras alcanzarse el punto de desactivación de descongelación (si es preciso)	0-99 minutos	no ap.
d12	Visualización de la Temperatura Real con Retardo	Ajuste la duración temporal que se visualiza la temperatura interior del aparato (antes de iniciarse la descongelación) tras haber finalizado un ciclo de descongelación	0-99 minutos	0
d13	Compresor Activado / Desactivado durante la Descongelación	Active o desactive el compresor durante el ciclo de descongelación	Activado (I) o Desactivado (II)	no ap.
d14	Tiempo de Secado de Evaporador	Ajuste la cantidad de tiempo que el compresor permanece desactivado tras un ciclo de descongelación, reduciendo la cantidad de acumulación de hielo	0-99 minutos	0
=19	Desvío de Temperatura	Si hubiera alguna variación entre la temperatura medida y la real, la temperatura medida puede desviarse para compensar	De -20°C a 20°C	-5°C
=22	Unidad de Medición	Ajuste si desea que la temperatura se visualiza en grados Centígrados o Fahrenheit	Grados Centígrados (II) o Fahrenheit (I)	0
=23	Funcionamiento del Compresor durante el Fallo de la Sonda	Ajuste si el compresor está en funcionamiento o permanece desactivado durante un fallo de la sonda de temperatura	El compresor está en funcionamiento (I) Permanece desactivado hasta que se arregla el fallo (II) Funciona de forma intermitente con los parámetros =24 y =25 (2)	2
=24	Duración del compresor "activado"	Ajuste el tiempo que el compresor permanece desactivado durante un fallo de la sonda de temperatura	1-99 minutos	10
=25	Duración del compresor "desactivado"	Ajuste el tiempo que el compresor permanece desactivado durante un fallo de la sonda de temperatura	1-99 minutos	10
=34	Descongelación Inicial tras la puesta en funcionamiento	Determine si el aparato empieza un ciclo de descongelación 10 minutos tras la puesta en funcionamiento o transcurrido el tiempo programado en el parámetro d8	Se inicia 10 minutos tras la puesta en funcionamiento (II) o cuando está programado (I)	no ap.
=38	Alarma de Temperatura Mínima	Ajuste la pantalla que desea que se ilumine de forma intermitente si la temperatura interior del aparato es inferior a un punto especificado desde la temperatura de funcionamiento	De 1°C a 50°C	40°C


Descongelación manual

El aparato llevará a cabo automáticamente un ciclo de descongelación cada seis horas.



Nota: el ciclo empieza a partir del momento en que el aparato se pone en funcionamiento por primera vez.

Para descongelar manualmente el aparato:

1. Pulse y mantenga pulsado el botón DEFROST  durante 5 segundos.
2. El ciclo de descongelación se iniciará inmediatamente y el LED Defrost se iluminará. La descongelación durará un máximo de 30 minutos.



Nota: el inicio de una descongelación manual también reinicializa el temporizador de descongelación automática. La siguiente descongelación automática se iniciará seis horas después de que haya finalizado la descongelación manual.

3. El agua residual se recoge en la bandeja de agua residual.

Pulizia e manutenzione

- Desconecte la máquina y desenchúfela de la toma eléctrica antes de llevar a cabo la limpieza.
- Limpie el interior del aparato con la mayor frecuencia posible.
- No utilice productos de limpieza abrasivos. Estos pueden dejar residuos nocivos.
- Limpie la junta de la puerta sólo con agua.
- Seque bien el aparato después de limpiarlo.
- No permita que el agua utilizada en la limpieza pase por el agujero de desagüe hacia el recipiente de evaporación.
- Vaya con cuidado al limpiar la parte trasera del aparato. Los bordes afilados pueden cortar.
- Un técnico cualificado o un agente de POLAR debe llevar a cabo las reparaciones en caso de precisarse.

Limpieza del condensador

La limpieza periódica del condensador puede ampliar la duración del aparato.

POLAR recomienda que un técnico cualificado o un agente de POLAR limpie el condensador.

Resolución de problemas

Si su aparato POLAR falla, por favor compruebe la tabla siguiente antes de llamar a la línea de asistencia o a su distribuidor POLAR.

Fallo	Causa probable	Acción
El aparato no funciona	El aparato no está conectado	Compruebe que el aparato esté enchufado correctamente y conectado
	El enchufe y el cable están dañados	Llame a un técnico cualificado o a un agente de POLAR
	El fusible del enchufe se ha fundido	Cambie el fusible del enchufe
	Suministro eléctrico	Compruebe el suministro eléctrico
	Fallo del cableado interno	Llame a un técnico cualificado o a un agente de POLAR
El aparato se activa, pero la temperatura es demasiado alta / baja	Hay demasiado hielo en el evaporador	Descongele el aparato
	Condensador bloqueado con polvo	Llame a un técnico cualificado o a un agente de POLAR
	Las puertas no están bien cerradas	Compruebe que las puertas estén cerradas y las juntas no estén dañadas
	El aparato se encuentra cerca de una fuente de calor o el caudal de aire hacia el condensador está siendo interrumpido	Traslade el frigorífico a un lugar más adecuado
	La temperatura ambiente es demasiado alta	Aumente la ventilación o traslade el aparato a un lugar más fresco
	Se guardan alimentos no adecuados en el aparato	Retire cualquier exceso de alimentos calientes u obstrucciones del ventilador
	El aparato está sobrecargado	Reduzca la cantidad de alimentos guardados en el aparato
Hay fugas de agua en el aparato	El aparato no está bien nivelado	Ajuste las patas enroscadas para nivelar el aparato (si es aplicable)
	La salida de descarga está bloqueada	Limpie la salida de descarga
	El movimiento del agua hacia el desagüe está obstruido	Limpie la base del aparato (si es aplicable)
	El contenedor de agua está dañado	Llame a un técnico cualificado o a un agente de POLAR
	La bandeja de goteo está rebosando	Vacíe la bandeja de goteo (si es aplicable)
El aparato es inusualmente ruidoso	No se ha retirado la banda de seguridad	Retire la banda de seguridad
	Tuerca / tornillo flojo	Compruebe y apriete todos los tornillos y las tuercas
	El aparato no se ha instalado en una posición estable o nivelada	Compruebe la posición de la instalación y cámbiela si es necesario

Mensajes de Error

La tabla siguiente detalla la causa y la respuesta posterior del aparato a los errores.

Mensaje de Error (intermitente)	Causa	Respuesta del Aparato	Acción
HLR	La temperatura interior sobrepasa la temperatura máxima ajustada	La pantalla se ilumina de forma intermitente Alternando el mensaje de error y la temperatura actual	Compruebe la Guía de Resolución de Problemas. Si el problema persiste, llame a un técnico cualificado o un agente de POLAR
LLR	La temperatura interior sobrepasa la temperatura mínima ajustada	La pantalla se ilumina de forma intermitente Alternando el mensaje de error y la temperatura actual	Compruebe la Guía de Resolución de Problemas. Si el problema persiste, llame a un técnico cualificado o un agente de POLAR
PF1	Cortocircuito o interrupción de la línea de entrada de la sonda del termostato	La pantalla se ilumina de forma intermitente	El compresor funciona de la forma especificada por el parámetro '23'
PF2	Cortocircuito o interrupción de la línea de entrada de la sonda del evaporador	La pantalla se ilumina de forma intermitente	Descongele el aparato de la forma especificada por los parámetros dB y d9
HLR	Temperatura interior superior a 90°C	La pantalla se ilumina de forma intermitente Alternando el mensaje de error y la temperatura actual	Llame a un técnico cualificado o un agente de POLAR
LLR	Temperatura interior inferior a -45°C	La pantalla se ilumina de forma intermitente Alternando el mensaje de error y la temperatura actual	Llame a un técnico cualificado o un agente de POLAR

El mensaje de alarma finalizará cuando la activación de la alarma ya no esté presente, excepto PF1 y PF2 que precisan la desactivación del aparato y su posterior activación.

Especificaciones Técnicas

Modelo	Tensión	Potencia	Corriente	Margen de Temperaturas	Capacidad (litros)	Refrigerante	Dimensiones a x a x p mm	Peso (kg)
G608	230V 50Hz	150W	1A	De 2°C a 10°C	5 x Recipiente Gastronorm 1/4	R134a 120g	435 x 1200 x 330	25
G609	230V 50Hz	150W	1A	De 2°C a 10°C	7 x Recipiente Gastronorm 1/4	R134a 130g	430 x 1500 x 330	29
G610	230V 50Hz	150W	1A	De 2°C a 10°C	9 x Recipiente Gastronorm 1/4	R134a 155g	430 x 1800 x 330	32
G611	230V 50Hz	230W	1,6A	De 2°C a 10°C	10 x Recipiente Gastronorm 1/4	R134a 155g	430 x 2000 x 330	34

Cableado Eléctrico

El enchufe tiene que conectarse a una toma eléctrica adecuada.

Este aparato está conectado de la forma siguiente:

- Cable cargado (de color marrón) al terminal marcado como L
- Cable neutro (de color azul) al terminal marcado como N
- Cable de tierra (de color verde / amarillo) al terminal marcado como E

El aparato debe estar conectado a tierra, utilizando un circuito de conexión a tierra especializado.

Si tiene alguna duda, consulte a un electricista cualificado.

Los puntos de aislamiento eléctrico deben mantenerse libres de cualquier obstrucción. En caso de precisarse una desconexión de emergencia, deben estar disponibles de forma inmediata.

Desecho

Las normativas de la UE requieren que los productos de refrigeración sean desechados por compañías especializadas que extraigan o reciclen todos los gases, componentes metálicos y de plástico.

Consulte a su autoridad local de recogida de residuos a la hora de desechar su aparato. Las autoridades locales no están obligadas a eliminar los equipos de refrigeración comerciales pero pueden ofrecer consejo sobre cómo desechar los equipos localmente.

Otra opción es llamar a la línea de asistencia de POLAR para pedir información sobre las compañías nacionales de desechos de la UE.

Cumplimiento

El logotipo WEEE en este producto o su documentación indica que no debe eliminarse como un residuo doméstico. Para ayudar a prevenir posibles daños a la salud humana y/o el medio ambiente, el producto debe eliminarse en un proceso de reciclaje aprobado y medioambientalmente seguro. Para obtener más información sobre cómo eliminar correctamente este producto, póngase en contacto con el proveedor del mismo o la autoridad local responsable de la eliminación de residuos en su zona.

Las piezas POLAR han pasado estrictas pruebas de productos para cumplir las especificaciones y normas reguladoras establecidas por las autoridades internacionales, independientes y federales.

Los productos POLAR han sido autorizados para llevar el símbolo siguiente:



Reservados todos los derechos. Puede estar prohibida la reproducción o transmisión en cualquier forma o por cualquier medio electrónico, mecánico, de fotocopiado, registro o de otro tipo, de cualquier parte de estas instrucciones sin la autorización previa y por escrito de POLAR.

Se ha hecho todo lo posible para garantizar que todos los datos son correctos en el momento de su publicación; sin embargo, POLAR se reserva el derecho a modificar las especificaciones sin que medie notificación previa.

Conselhos de segurança

- Colocar numa superfície plana e estável.
- Um agente de serviço/técnico qualificado deverá efectuar a instalação e quaisquer reparações, caso necessário. Não retirar qualquer componente ou painéis de serviço deste produto.
- Consultar e cumprir os regulamentos locais e nacionais no que diz respeito à:
 - Legislação de saúde e segurança no local de trabalho
 - Códigos de trabalho
 - Prevenção de incêndios
 - Normas para sistemas eléctricos IEE
 - Código de construção
- NÃO utilizar máquinas de limpeza a pressão/jacto para limpar o produto.
- NÃO utilize este produto para armazenar acessórios médicos.
- NÃO utilizar aparelhos eléctricos no interior deste produto (como por exemplo máquinas de fazer gelados, etc.)
- NÃO se apoiar ou colocar em cima da base, das prateleiras ou das portas.
- NÃO permitir o contacto de óleo ou gordura com componentes de plástico ou guarnições das portas. Limpar imediatamente se tal acontecer.
- Apenas adequado para uso dentro de casa ou estabelecimentos.
- Fechar garrafas com uma elevada percentagem de álcool e colocá-las verticalmente no frigorífico.
- Este produto deve ser transportado, armazenado e manuseado em posição vertical. Transporte segurando o produto pela base.
- Deve-se sempre desligar o aparelho e retirar a ficha da tomada antes de fazer a limpeza.
- Mantenha o material da embalagem fora do alcance de crianças. O material da embalagem é para ser deitado fora respeitando as regras das autoridades locais.
- A fim de evitar situações perigosas, a substituição dos cabos de alimentação danificados deve ser feita por um agente POLAR ou um técnico qualificado recomendado.

Descrição do produto

G608 - POLAR 5 x ¼ Container gastronómico com vitrina refrigerada

G609 - POLAR 7 x ¼ Container gastronómico com vitrina refrigerada

G610 - POLAR 9 x ¼ Container gastronómico com vitrina refrigerada

G611 - POLAR 10 x ¼ Container gastronómico com vitrina refrigerada

Introdução

Por favor utilize o tempo necessário para ler atentamente este manual. Uma manutenção e utilização correcta deste aparelho permitem a melhor capacidade de funcionamento do seu produto POLAR.

Conteúdo da embalagem

A embalagem inclui o seguinte:

- Frigorífico ou congelador da POLAR
- Painel superior de vidro
- Painel de trás em vidro
- Painéis laterais de vidro x 2
- Manual de instruções
- Peças de fixação x 6
- Suportes x 7
- Parafusos de fixação x 7
- Parafusos x 12
- Buchas x 14
- Barra regulável gastronorm
- Pés reguláveis x 4

A POLAR orgulha-se pelo serviço e a qualidade dos seus produtos e portanto verifica, durante a fase de embalagem, o estado funcional e o bom estado do conteúdo fornecido.

Quando confrontado com quaisquer danos provocados durante o transporte, contacte imediatamente o seu fornecedor POLAR.

Instalação



Nota: se o aparelho foi armazenado ou transportado numa posição não igual à posição de instalação, deve-se, antes de utilizar o mesmo, colocar o produto durante 12 horas na posição de instalação. Em caso de dúvida deve cumprir a instrução anterior.

1. Retire o produto da embalagem. Verifique se retirou todas as tiras e camadas de protecção das superfícies do produto.
2. Para a ventilação adequada deve-se manter uma distância de 20cm entre o produto e as paredes ou outros objectos. Aumente esta distância se o objecto vizinho for uma fonte de calor.



Nota: Antes de utilizar o produto pela primeira vez deve limpar as prateleiras e o interior com água de sabão.

3. Ajuste os pés reguláveis para nivelar o produto.

Colocar os painéis de vidro

1. Aparafuse as peças de fixação ao encaixe do produto.



Nota: certifique-se de que o orifício da peça de fixação para os parafusos de fixação aponta para dentro.

2. Encaixe os dois painéis laterais nas peças de fixação, com os orifícios do vidro para cima.



Nota: certifique-se de que o orifício mais distante do canto do painel esteja na parte de trás do produto.

3. Aperte um parafuso de fixação em cada peça para fixar os painéis.



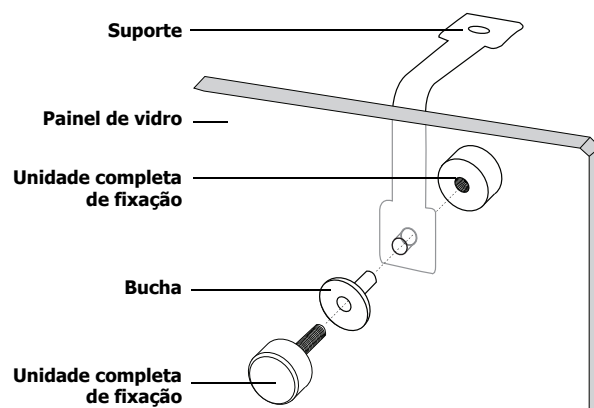
Nota: certifique-se de que é o lado mole do parafuso de fixação que faz contacto com o vidro.

4. Encaixe o painel de fundo nas peças de fixação, com os orifícios do vidro para cima.
5. Aperte um parafuso de fixação em cada peça para fixar o painel.
6. Encaixe as buchas de plástico nos orifícios.
7. Aparafuse os suportes na parte interior de cada recipiente utilizando as unidades completas de fixação.



Nota: Certifique-se de que o lado curto da unidade completa de fixação se encontra no lado exterior dos painéis.

8. Coloque o painel superior nos suportes e verifique se todos os orifícios ficaram em linha.
9. Coloque as buchas e prenda o painel superior nos suportes utilizando as unidades completas de fixação.



Funcionamento

Armazenamento de produtos alimentares

Siga as seguintes instruções para obter os melhores resultados do seu produto POLAR:

- Deve-se apenas guardar alimentos no produto quando este tiver atingido a temperatura de funcionamento correcta.
- Manter os recipientes gastronorm sempre cheios, mesmo quando não os utilize ou quando vazios. Recipientes vazios irão reduzir a eficiência do produto.
- Não bloquear os ventiladores no interior do produto.

Ligar

1. Controle se o interruptor principal está na posição [O] e coloque a ficha do produto na tomada.
2. Ligue o Power (alimentação) [I]. A temperatura interna do produto é indicada no painel indicador.

Painel de controlo



Desactivar/activar o painel de controlo

Para desactivar o painel de controlo:

1. Carregue simultaneamente nos botões UP (▲) e DOWN (▼) e mantenha-os pressionados durante 10 segundos.
2. *PoF* pisca no painel indicador e o teclado é desactivado.

Para activar o painel de controlo:

1. Carregue simultaneamente nos botões UP (▲) e DOWN (▼) e mantenha-os pressionados durante 10 segundos.
2. *Pon* pisca no painel indicador e o teclado é activado.

Nota: se durante 10 segundos não carregar num botão do painel de controlo, o mesmo desactiva-se e entra no modo standby. Durante a selecção dos parâmetros o Setpoint LED pisca no painel indicador.

Aceder ao menu de parâmetros

1. Active o painel de controlo se este estiver desactivado.
2. Carregue e mantenha o botão SET (SET) pressionado até 'd l' piscar no painel indicador.
3. Caso necessário, carregue várias vezes no botão SET (SET) para avançar até ao parâmetro desejado (ver "Descrição dos parâmetros" para mais informação).

Alterar o valor do parâmetro

Nota: o seu aparelho POLAR está configurado com parâmetros predefinidos, considerados adequados para funcionamento normal. A POLAR aconselha a utilização destes parâmetros predefinidos.

Para alterar os valores (caso necessário):

1. Com o parâmetro desejado no painel indicador, utilize os botões UP (▲) e DOWN (▼) para alterar o valor do parâmetro.
2. Carregue no botão SET (SET) para memorizar o valor.

Nota: o painel de controle visualizará automaticamente o parâmetro seguinte. Para regressar ao modo standby permita que o painel de controle faça um time-out.

Descrição dos parâmetros


Parâmetro	Nome	Descrição	Descrição	Alcance (dependente do modelo)
d1	Temperatura de funcionamento	Para definir a temperatura de funcionamento do produto	-2°C to 10°C	2°C
d2	Temperatura diferencial	A temperatura diferencial é a temperatura máxima e mínima autorizada acima e abaixo da temperatura de funcionamento antes da activação/desactivação do compressor	0 to 20°C	2°C
d3	Amplitude de temperatura	Para definir a temperatura mínima (d3) e máxima (d4) para as flutuações de temperatura do produto	-40°C	0°C
d4			95°C	10°C
d5	Intervalos de tempo de activação do compressor	Intervalos de tempo, para introduzir o intervalo de tempo mínimo entre o desligar e o ligar do compressor	0-999 segundos	99
d6	Alarme da máxima temperatura diferencial	Para definir a activação de um alarme quando a temperatura interna excede por um valor determinado a temperatura de funcionamento	0°C-50°C	50
d7	Retardamento do alarme da temperatura diferencial	Para definir um retardamento de activação do alarme da temperatura diferencial	0-99 minutos	0
d8	Duração do ciclo de descongelamento	Para definir o tempo entre os ciclos de descongelamento	1-999 horas	24
d9	Duração máxima de descongelamento	Para definir a duração máxima do ciclo de descongelamento Nota: a duração do ciclo de descongelamento pode ser anulado pelo parâmetro d10 (em baixo), quando a temperatura de desactivação é atingida antes do fim da duração do ciclo de descongelamento	0-999 minutos	1
d10	Temperatura de desactivação do descongelamento	Para definir a temperatura de desactivação do ciclo de descongelamento	-45°C a 50°C	n.a.
d11	Período adicional de desactivação do descongelamento	Para definir um tempo de descongelamento adicional depois de atingir o ponto de desactivação do ciclo de descongelamento (caso necessário)	0-99 minutos	n.a.
d12	Indicação retardada da temperatura actual	Para definir a duração da indicação da temperatura interna do produto (antes do início do ciclo de descongelamento) no painel indicador depois de concluir o ciclo de descongelamento	0-99 minutos	0
d13	Compressor On/Off durante o descongelamento	Para ligar (On) ou desligar (Off) o compressor durante o ciclo de descongelamento	On (I) ou Off (I)	n.a.
d14	Tempo de secagem evaporador	Para definir a duração que o compressor fica desligado depois dos ciclos de descongelamento, reduzindo a quantidade de acumulação de gelo	0-99 minutos	0
=19	Temperatura compensada	Se existir qualquer diferença entre a temperatura medida e temperatura actual, a temperatura medida pode ser alterada para compensar	-20°C a 20°C	-5°C
=22	Unidade de medição	Para seleccionar entre a unidade de medição de temperatura Celsius ou Fahrenheit	Celsius (I) ou Fahrenheit (I)	0
=23	Funcionamento do compressor durante uma falha do sensor	Para definir se o compressor fica a funcionar ou permanece desligado com a ocorrência de uma falha do sensor da temperatura	Compressor funciona (I) Mantém-se desligado até a falha ser resolvida (I) Funciona alternadamente com os parâmetros =24 e =25 (I)	2
=24	Duração compressor 'On'	Para definir a duração que o compressor fica ligado ao ocorrer uma falha do sensor da temperatura	1-99 minutos	10
=25	Duração compressor 'Off'	Para definir a duração que o compressor fica desligado ao ocorrer uma falha do sensor da temperatura	1-99 minutos	10
=34	Descongelamento inicial após início	Para definir se o produto inicia um ciclo de descongelamento 10 minutos depois de activação ou depois do tempo programado no parâmetro d8	Inicia 10 minutos depois de activação (I) ou mediante o programado (I)	n.a.
=38	Alarme da temperatura mínima	Para definir que o painel indicador pisque quando a temperatura interna do produto cai abaixo de um ponto determinado da temperatura de funcionamento programada	1°C a 50°C	40°C


Descongelamento manual

O produto iniciará automaticamente um ciclo de descongelamento de seis em seis horas.

 **Nota: o ciclo inicia-se ao ligar o produto pela primeira vez.**

Para manualmente descongelar o produto:

1. Carregue e mantenha o botão DEFROST  pressionado durante 5 segundos.
2. O ciclo de descongelamento é imediatamente iniciado e o Defrost LED acende. O processo de descongelamento tem uma duração máxima de 30 minutos.

 **Nota: ao iniciar um descongelamento manual o temporizador de descongelamento é automaticamente reiniciado. O próximo descongelamento automático iniciará seis horas depois da terminação do descongelamento manual.**

3. A água usada é recolhida no tabuleiro de água usada.

Limpeza, cuidados & manutenção

- Deve-se desligar o aparelho e retirar a ficha da tomada antes de fazer a limpeza.
- Limpe o interior do produto com a máxima frequência possível.
- Não utilizar produtos de limpeza abrasivos. Estes podem deixar resíduos prejudiciais.
- Limpe as guarnições da porta apenas com água.
- Secar totalmente depois da limpeza.
- Não permitir que água utilizada para a limpeza entre na panela de evaporação através da abertura de drenagem.
- Tenha cuidado ao limpar a parte de trás do produto. Os cantos afiados podem cortar.
- Um agente da POLAR ou técnico qualificado deverá efectuar quaisquer reparações, caso necessário.

Limpar o condensador

A limpeza com regularidade do condensador pode alargar a vida técnica do produto.

A POLAR recomenda que a limpeza do condensador seja efectuada por um agente POLAR ou técnico qualificado.

Resolução de problemas

Se o seu produto POLAR apresentar uma falha, consulte a seguinte tabela antes de telefonar à linha de apoio ou ao seu agente POLAR.

Problema	Causa provável	A fazer
O aparelho não funciona	O aparelho não está ligado	Verifique a ligação correcta dos cabos e ligue o aparelho
	A ficha e o cabo estão danificados	Chame o agente da POLAR ou um técnico qualificado
	O fusível da ficha disparou	Substitua o fusível da ficha
	Fonte de alimentação	Verifique a fonte de alimentação
	Erro na cablagem interna	Chame o agente da POLAR ou um técnico qualificado
O produto liga mas a temperatura é demasiado alta ou baixa	Há muito gelo no evaporador	Descongele o produto
	O condensador está bloqueado por pó	Chame o agente da POLAR ou um técnico qualificado
	As portas não estão totalmente fechadas	Verifique se as portas estão bem fechadas e se as guarnições estão danificadas
	O produto está perto de uma fonte de calor ou o fluxo de ar em direcção do condensador é interrompido	Desloque o frigorífico para um lugar mais adequado
	A temperatura ambiente é demasiado alta	Aumente a ventilação ou desloque o produto para uma posição mais fresca
	Está a guardar alimentos não adequados no produto	Retire quaisquer alimentos quentes ou alimentos que bloqueiem o ventilador
	O produto está sobrecarregado	Reduz a quantidade de alimentos armazenada no produto
Está a verter água do produto	O produto não está bem nivelado	Ajuste os pés reguláveis para nivelar o produto (caso necessário)
	A saída de descarga está bloqueada	Limpe a saída da descarga
	O movimento de água para a descarga está bloqueado	Limpe o chão do produto (caso aplicável)
	O recipiente de água está danificado	Chame o agente da POLAR ou um técnico qualificado
	O tabuleiro para gelo derretido (água) está a transbordar	Esvazie o tabuleiro (caso aplicável)
O produto produz mais ruídos do que o normal	Não retirou a fita de segurança	Retire a fita de segurança
	Desaperte a porca/parafuso	Verifique e aperte todos os parafusos e porcas
	O produto não foi instalado numa superfície nivelada ou estável	Verifique a posição da instalação e, caso necessário, desloque o produto

Mensagens de erro

A seguinte tabela mostra a causa e a consequente reacção do produto à ocorrência de erros.

Mensagem de erro (a piscar)	Causa	Reacção do produto	A fazer
HLA	A temperatura interna excedeu a temperatura máxima definida	No painel indicador pisca alternadamente a mensagem de erro e a temperatura actual	Consulte o manual para resolver problemas. Se o problema persistir contacte um agente da POLAR ou um electricista qualificado.
LLA	A temperatura interna excedeu a temperatura mínima definida	No painel indicador pisca alternadamente a mensagem de erro e a temperatura actual	Consulte o manual para resolver problemas. Se o problema persistir contacte um agente da POLAR ou um electricista qualificado.
PF1	Houve um curto-circuito ou uma interrupção na linha de entrada do sensor do termóstato	O painel indicador pisca	O compressor funciona como definido no parâmetro '=23'
PF2	Houve um curto-circuito ou uma interrupção na linha de entrada do sensor do evaporador	O painel indicador pisca	O processo de descongelamento decorre como definido nos parâmetros dB e d9
HLA	Temperatura interna superior a 90°C	No painel indicador pisca alternadamente a mensagem de erro e a temperatura actual	Chame o agente da POLAR ou um técnico qualificado
LLA	Temperatura interna inferior a -45°C	No painel indicador pisca alternadamente a mensagem de erro e a temperatura actual	Chame o agente da POLAR ou um técnico qualificado

A mensagem de alarme desaparece depois de resolvida a causa do alarme, com excepção das mensagens PF1 e PF2 que requerem que o produto seja desligado e novamente ligado.

Especificações técnicas

Model	Voltagem	Alimentação	Corrente	Amplitude de temperatura	Capacidade	Líquido de refrigeração	Dimensões a x l x p mm	Peso (kg)
G608	230V 50Hz	150W	1A	2°C a 10°C	5 x gastronorm ¼ Container	R134a 120g	435 x 1200 x 330	25
G609	230V 50Hz	150W	1A	2°C a 10°C	7 x gastronorm ¼ Container	R134a 130g	430 x 1500 x 330	29
G610	230V 50Hz	150W	1A	2°C a 10°C	9 x gastronorm ¼ Container	R134a 155g	430 x 1800 x 330	32
G611	230V 50Hz	230W	1,6A	2°C a 10°C	10 x gastronorm ¼ Container	R134a 155g	430 x 2000 x 330	34

Cablagem eléctrica

Deve-se utilizar tomadas adequadas para ligar a ficha do aparelho.

O esquema de electricidade deste aparelho é o seguinte:

- Cabo eléctrico (castanho) para o terminal marcado L
- Cabo neutro (azul) para o terminal marcado N
- Cabo terra (verde/amarelo) para o terminal marcado com E

Este aparelho tem que estar ligado à terra através de um circuito de terra.

Consulte um electricista qualificado em caso de dúvidas.

Os pontos eléctricos isolados devem ficar limpos de qualquer obstrução. Estes pontos têm que ser imediatamente acessíveis caso seja necessário desligar a electricidade.

Tratamento de lixo e resíduos

Os regulamentos da UE exigem a entrega de produtos de refrigeração a empresas especializadas em remover ou reciclar todos os gases, metais e componentes de plástico.

Consulte a autoridade responsável pelo tratamento de lixo sobre a recolha do seu aparelho. As autoridades locais não são responsáveis pela recolha de equipamento comercial de refrigeração, no entanto, podem informá-lo quanto a recolha local do seu equipamento.

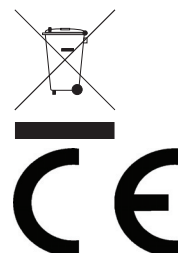
Ou então, contacte a linha de apoio da POLAR para obter informações sobre as empresas nacionais de tratamento de lixo na UE.

Conformidade

O logótipo WEEE neste produto ou a sua documentação indicam que o produto não deve ser tratado como lixo doméstico. Para ajudar a prevenir possíveis danos para a saúde humana e/ou ambiente, o produto deve ser eliminado de acordo com um processo de reciclagem aprovado e seguro para o ambiente. Para mais informação sobre como eliminar este produto correctamente, contacte o fornecedor do mesmo ou as autoridades locais responsáveis pela eliminação de desperdícios na sua área.

As componentes POLAR foram submetidas a testes rigorosos a fim de cumprirem as normas e especificações legais determinadas pelas autoridades internacionais, independentes e nacionais.

Os produtos POLAR foram aprovados e trazem o seguinte símbolo:



Todos os direitos reservados. É proibida a reprodução electrónica ou mecânica, ou por qualquer outro meio copiar, guardar em meios digitais ou transmitir a terceiros estas instruções, seja parcialmente ou na sua totalidade, sem a autorização prévia de POLAR. Nós nos esforçamos para que no dia de publicação deste manual todos os pormenores sejam correctos, no entanto, a POLAR tem o direito de alterar as especificações sem aviso prévio.

Säkerhetsråd

- Placera på en plan stabil yta.
- Ett serviceombud/kvalificerad tekniker skall utföra installation och reparationer om så krävs. Avlägsna inte några komponenter eller servicepanler på produkten.
- Konsultera lokala och nationella normer för att efterleva följande:
 - Lagstiftning om hälsa och säkerhet i arbetet
 - BS EN Tillämpningsregler
 - Brandförebyggande åtgärder
 - IEE Regler för kabeldragning
 - Byggregler
- Använd INTE högtryckstvättar för att rengöra apparaten.
- Använd INTE denna apparat för att förvara mediciner.
- Använd INTE elektriska apparater inuti apparaten (t.ex. värmeapparater, glassmaskiner, etc.).
- Stå eller luta dig INTE på/mot basen, lådorna eller dörrarna.
- Låt INTE olja eller fett komma i kontakt med plastkomponenterna eller dörrtätning. Rengör omedelbart om detta inträffar.
- Endast lämpad för bruk inomhus.
- Flaskor som innehåller ett högt procentantal alkohol måste förseglas och placeras vertikalt i kylskåpet.
- Bär, förvara och hantera alltid apparaten i vertikal position och flytta genom att hålla i apparatens bas.
- Stäng alltid av och koppla från strömförsörjningen till enheten innan rengöring.
- Håll allt förpackningsmaterial åtskilt från barn. Kassera förpackningsmaterialet i enlighet med lokala myndigheters regleringar.
- Om elsladden är skadad måste den bytas ut av en POLAR-representant eller en rekommenderad kvalificerad tekniker för att undvika risker.

Produktbeskrivning

G608 - POLAR 5 x ¼ Kylcontainer arbetsdisk/tillredning

G609 - POLAR 7 x ¼ Kylcontainer arbetsdisk/tillredning

G610 - POLAR 9 x ¼ Kylcontainer arbetsdisk/tillredning

G611 - POLAR 10 x ¼ Kylcontainer arbetsdisk/tillredning

Inledning

Ta några minuter för att noggrant läsa igenom denna manual. Korrekt underhåll och drift av maskinen kommer att göra att din POLAR-produkt ger bästa möjliga prestanda.

Förpackningsinnehåll

Följande medföljer:

- Frigorífico ou congelador da POLAR
- Painel superior de vidro
- Painel de trás em vidro
- Painéis laterais de vidro x 2
- Manual de instruções
- Peças de fixação x 6
- Suportes x 7
- Parafusos de fixação x 7
- Parafusos x 12
- Buchas x 14
- Barra regulável gastronorm
- Pés reguláveis x 4

POLAR är stolta över den kvalitet och service vi erbjuder, och försäkrar att då innehållet packades ner var det helt funktionsdugligt och utan skada.

Kontakta omedelbart din POLAR-återförsäljare om du hittar någon skada som uppkommit vid leverans.

Installation

Obs! Låt enheten stå upprätt under ungefär 12 timmar innan drift om den inte har förvarats eller transporterats i upprätt position. Om du är osäker, låt den stå upprätt.

1. Ta ut apparaten från förpackningen. Se till att all skyddande plastfilm och belägg noggrant tagits bort från alla ytor.
2. Bevara ett avstånd på 20 cm mellan enhet och vägg eller andra föremål för ventilation. Öka avståndet om föremålet är en värmekälla.

Obs! Rengör hyllor och insida med tvålvatten innan du använder enheten för första gången.

3. Nivellera apparaten genom att justera skruvfötterna.

Fäst glaspanelerna

1. Skruva på flänsarna på apparatens kant.

Obs! Se till att hålet i flänsen för skruvstiftet pekar inåt.

2. Fäst de två sidopanelerna i flänsen, med hålen i glaset överst.

Obs! Se till att skruvhålet som är längst bort från panelens kant går helt in till apparatens baksida.

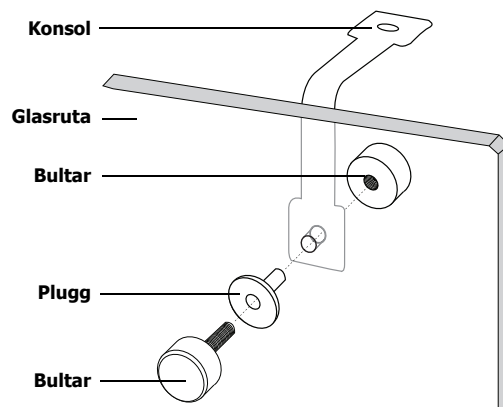
3. Skruva i ett skruvstift i varje fläns för att säkra panelerna.

Obs! Se till så att den mjuka änden av skruvstiftet är den ände som har kontakt med glaset.

4. Fäst den bakre panelen i flänsarna, med hålen i glaset överst.
5. Skruva i ett skruvstift i varje fläns för att säkra panelen.
6. För in plastpluggen i varje hål.
7. Skruva på konsolerna på insidan av varje ruta med hjälp av bultarna.

Obs! Se till så att den korta änden av bultarna är på utsidan av panelerna.

8. Placera den övre panelen på konsolerna och se till att alla hål är i linje.
9. Sätt in pluggen och fäst den övre panelen på konsolerna med bultarna.



Drift

Förvara mat

Följ dess instruktioner för att få bästa resultat från din POLAR-apparat:

- Förvara endast livsmedel i apparaten när den har uppnått korrekt driftstemperatur.
- Se till att gastronormkaminer hela tiden är fulla, även om kantinerna inte används eller är tomma. Tomma kaminer kommer att reducera apparatens effektivitet mycket.
- Stäng alltid locket när den inte används.
- Hindra inte fläktarna inuti apparaten.

Starta



1. Se till att strömbrytaren är ställd till [O] och sätt på vid kontakten.
2. Sätt på strömmen [I]. Aktuell temperatur inuti apparaten visas.

Kontrollpanel





Lås/lås upp kontrollpanelen

Att låsa kontrollpanelen:



1. Tryck och håll knapparna UP (upp)  och DOWN (ner)  samtidigt under 10 sekunder.
2. *PoF* blinkar på displayen och knapparna är låsta.

Att låsa upp kontrollpanelen:

1. Tryck och håll knapparna UP (upp)  och DOWN (ner)  samtidigt under 10 sekunder.
2. *POn* blinkar på displayen och knapparna är upplåsta.

Obs! Om en knapp inte trycks ner under 10 sekunder då kontrollpanelen används avbryts den och återgår till standby-läge. När parametrar ställs in kommer Setpoint LED att blinka på displayen.




Gå till parametermenyn

1. Lås upp kontrollpanelen om den är låst.
2. Tryck och håll knappen SET (inställning)  tills 'd 1' blinkar på displayen.
3. Tryck om nödvändigt på knappen SET  repeterade gånger för att bläddra till önskad parameter (se "Parameterbeskrivningar" för parameterdetaljer).

Ändra parametervärde

Obs! Din POLAR-apparat har ställts in med standardparametrar som vanligtvis bedöms vara lämpliga för normal drift. POLAR rekommenderar att dessa förinställda värden används.

För att ändra värdet (om nödvändigt):

1. Med önskad parameter visad, ändrar du värdet med knapparna UPP  och NER .
2. Tryck på knappen SET  för att lagra värdet.

Obs! Kontrollpanelen kommer automatiskt att flytta till nästa parameter. Låt kontrollpanelen vara ett tag för att gå tillbaka till standby-läge.

Parameterbeskrivningar

Parameter	Namn	Beskrivning	Område	Standard-parametervärden
d1	Driftstemperatur	Ställer in apparatens drifttemperatur	-2°C till 10°C	2°C
d2	Temperatur-differential	Temperaturdifferentialen är den tillåtna temperaturskillnaden över och under drifttemperatur innan kompressorn startar/stänger av	0 till 20°C	2°C
d3	Temperaturområde	Anger lägsta (d3) och högsta (d4) temperatur som apparaten kan variera mellan	-40°C	0°C
d4			95°C	10°C
d5	Aktivering av kompressor, tidsintervall	Tidsintervallen anger minsta tidsintervallet mellan det att kompressorn stängs av och sätts på	0 -999 sekunder	99
d6	Alarm för maximal temperaturdifferential	Ställer ett alarm som låter om temperaturen inuti apparaten överstiger angiven drifttemperatur med ett specificerat antal	0°C-50°C	50
d7	Fördröjning för differentialalarm	Ställer in en fördröjning innan alarmet för temperaturdifferentialen utlöses	0-99 minuter	0
d8	Cykeltid för avfrostning	Ställer in tiden mellan varje avfrostningscykel	1-99 timmar	24

Parameter	Namn	Beskrivning	Område	Standard-parametervärden
d9	Högsta varaktighet för avfrostning	Ställer in högsta längd på avfrostningscykel Obs! Avfrostningens varaktighet kan åsidosättas av parameter d10 (nedan) om avstängningstemperaturen uppnås innan slutet på avfrostningens varaktighet	0-999 minuter	1
d10	Avstängningstemperatur för avfrostning	Ställer in avstängningstemperatur för avfrostning	-45°C till 50°C	Ej tillämpligt
d11	Extra avstängningstid för avfrostning	Ställer in extra tid för avfrostning efter att avstängningspunkten har nåtts (om så krävs)	0-99 minuter	Ej tillämpligt
d12	Fördröjd aktuell temperaturvisning	Ställer in den tid under vilken apparatens innetemperatur (innan avfrostningen startas) visas efter att en avfrostningscykel har avslutats	0-99 minuter	0
d13	Kompressor på/av under avfrostning	Sätter på eller stänger av kompressorn under avfrostningscykeln	På (\uparrow) eller Av (\downarrow)	Ej tillämpligt
d14	Torktid evaporator	Ställer in den tid som kompressorn förblir avstängd efter en avfrostningscykel och reducerar mängden uppbyggd frost	0-99 minuter	0
=19	Temperaturkompensation	Om det skulle förekomma någon skillnad mellan uppmätt och verklig temperatur, kan den uppmätta temperaturen utjämnas för att kompensera	-20°C till 20°C	-5°C
=22	Mätenhet	Ställer in om temperaturen ska visas i Celsius eller Fahrenheit	Celsius (\downarrow) eller Fahrenheit (\uparrow)	0
=23	Kompressordrift vid sondfel	Ställer in om kompressorn ska gå eller vara avstängd under ett temperatursondfel	Kompressorn igång (\uparrow). Förblir avstängd tills felet ordnat (\downarrow). Fungerar periodvis med parametrar =24 och =25 (\downarrow)	2
=24	Kompressorns varaktighet "På"	Ställer in tidslängden som kompressorn är "Av" under ett temperatursondfel	1-99 minuter	10
=25	Kompressorns varaktighet "Av"	Ställer in tidslängden som kompressorn är "Av" under ett temperatursondfel	1-99 minuter	10
=34	Initial avfrostning efter uppstart	Ställer in om apparaten startar en avfrostningscykel 10 minuter efter uppstart eller efter tiden programmerad i parameter d10	Börjar 10 minuter efter uppstart (\downarrow) eller när programmerad (\uparrow)	Ej tillämpligt
=38	Alarm vid minsta temperatur	Ställer in displayen att blinka om apparatens inre temperatur skulle falla under angiven punkt från programmerad driftstemperatur	1°C till 50°C	40°C


Manuell avfrostning

Apparaten kommer automatiskt att köra en avfrostningscykel var sjätte timma.

 **Obs! Cykeln startar från den tidpunkt som apparaten först sattes igång.**

Att manuellt avfrosta apparaten:

1. Tryck och håll ner knappen DEFROST (avfrostning)  under 5 sekunder.
2. Avfrostningscykeln kommer att starta direkt och avfrostningsdioden lyser. Avfrostningen kommer vara högst 30 minuter.

 **Obs! Att starta en manuell avfrostning kommer också att på nytt starta den automatiska avfrostningstimmern. Nästa automatiska avfrostning kommer att starta sex timmar efter att den manuella avfrostningen är färdig.**

3. Spillvatten samlas upp i spillvattenbehållaren.

Rengöring, vård och underhåll

- Stäng av och koppla från eltillförseln innan rengöring.
- Rengör apparatens inre så ofta som möjligt.
- Använd inte slipande rengöringsmedel. De kan lämna skadliga rester.
- Rengör dörrtätningen med enbart vatten.
- Torka alltid torrt efter rengöring.
- Låt inte vatten som använts vid rengöring gå igenom dräneringshålet in i avdunstningspannan.
- Var försiktig när du rengör apparatens baksida. Skarpa kanter kan skära.
- En POLAR-representant eller kvalificerad tekniker måste utföra reparationer om så krävs.

Rengöra kondensatorn

Att periodvis rengöra kondensatorn kan förlänga apparatens livslängd.

POLAR rekommenderar att en POLAR-representant eller kvalificerad tekniker rengör kondensatorn.

Felsökning

Om din POLAR-apparat påvisar något fel, kontrollera först tabellen innan du ringer till hjälplinjen eller din POLAR-återförsäljare.

Fel	Möjlig orsak	Åtgärd
Apparaten fungerar inte	Apparaten är inte påslagen	Kontrollera att apparaten är korrekt ansluten och påslagen
	Kontakt och ledning är skadade	Ring POLAR-representant eller kvalificerad tekniker
	Säkring i kontakten har gått	Byt ut säkringen
	Strömtillförsel	Kontrollera strömtillförseln
	Internt dragningsfel	Ring POLAR-representant eller kvalificerad tekniker
Apparaten sätts på men temperaturen är för hög/låg	För mycket is på förångaren	Avfropa apparaten
	Kondensatorn är blockerad med damm	Ring POLAR-representant eller kvalificerad tekniker
	Dörrarna är inte korrekt stängda	Kontrollera att dörrarna är stängda och tätningen inte är skadad
	Apparaten är placerad nära en värmekälla eller luftflödet till kondensatorn avbryts	Flytta kylskåpet till en lämpligare plats
	Den omgivande temperaturen är för hög	Öka ventilationen eller flytta apparaten till en kallare plats
	Olämpliga livsmedel förvaras i apparaten	Ta bort för stora mängder varm mat eller blockeringar av fläkten
	Apparaten är överbelastad	Minska mängden mat som förvaras i apparaten
Apparaten läcker vatten	Apparaten står inte jämnt	Justera skruvfötterna för att nivellera apparaten (om tillämpligt)
	Utmatningen är blockerad	Rengör avloppet
	Vattnets väg till dränetaget är förhindrad	Rengör apparatens golv (om tillämpligt)
	Vattenbehållaren är skadad	Ring POLAR-representant eller kvalificerad tekniker
	Droppbrickan är överfull	Töm droppbrickan (om tillämpligt)
Apparaten låter ovanligt högt	Säkerhetsremmen har inte tagits bort	Ta bort säkerhetsremmen
	Lös mutter/skruv	Kontrollera och dra åt alla muttrar och skruvar
	Apparaten har inte installerats på en jämn eller stabil plats	Kontrollera installationsposition och ändra om nödvändigt

Felmeddelanden

Följande tabell ger detaljerade orsak och apparatens åtföljande respons på olika fel.

Felmeddelande (blinkar)	Orsak	Apparatens respons	Åtgärd
<i>H_LA</i>	Den invändiga temperaturen överstiger inställd högsta temperatur	Displayen blinkar Skiftar mellan felmeddelande och aktuell temperatur	Se felsökningsguiden Ring en POLAR-representant eller kvalificerad tekniker om problemet kvarstår.
<i>L_LA</i>	Den invändiga temperaturen sjunker under inställd lägsta temperatur	Display blinkar Skiftar mellan felmeddelande och aktuell temperatur	Se felsökningsguiden Ring en POLAR-representant eller kvalificerad tekniker om problemet kvarstår.
<i>PF 1</i>	Kortslutning eller avbrytning av termostatsondens ingångslinje	Displayen blinkar	Kompressorn drivs enligt angivet av parameter "= ₂₃ "
<i>PF 2</i>	Kortslutning eller avbrytning av evaporatorsondens ingångslinje	Displayen blinkar	Avfropa såsom anges av parametrarna <i>d_B</i> och <i>d_S</i>
<i>H_LA</i>	Innertemperaturen är högre än 90°C	Displayen blinkar	Ring POLAR-representant eller kvalificerad tekniker
<i>L_LA</i>	Innertemperaturen är lägre än -45°C	Displayen blinkar	Ring POLAR-representant eller kvalificerad tekniker

Alarmmeddelande kommer att sluta när alarmutlösaren inte längre existerar, utom PF1 och PF2 som kräver att apparaten stängs av och sätts på igen.

Tekniska specifikationer

Modell	Spänning	Kraft	Ström	Temperature Range	Kapacitet (liter)	Kylmedel	Mått h x b x d(mm)	Vikt (kg)
G608	230V 50Hz	150W	1A	2°C till 10°C	5 x Gastranorm ¼ behållare	R134a 120g	435 x 1200 x 330	25
G609	230V 50Hz	150W	1A	2°C till 10°C	7 x Gastranorm ¼ behållare	R134a 130g	430 x 1500 x 330	29
G610	230V 50Hz	150W	1A	2°C till 10°C	9 x Gastranorm ¼ behållare	R134a 155g	430 x 1800 x 330	32
G611	230V 50Hz	230W	1,6A	2°C till 10°C	10 x Gastranorm ¼ behållare	R134a 155g	430 x 2000 x 330	34

Elektriska kablar

Kontakten måste vara ansluten till ett lämpligt eluttag.

Denna apparat har följande kablar:

- Elektrisk kabel (brun) till uttag markerat L
- Neutral kabel (blå) till uttag markerat N
- Jordkabel (grön/gul) till uttag markerat E

Denna apparat måste vara jordad, och bruka en dedikerad jordad krets.

Vid tveksamheter rådfråga en kvalificerad elektriker.

Elektriska isoleringspunkter måste hållas fria från hinder. I händelse av urkoppling vid nödfall krävs, måste de vara lättåtkomliga.

Avfallshantering

EU-regleringar kräver att kylapparater hanteras av specialföretag som avlägsnar eller återvinner alla faser, metaller och plastkomponenter.

Konsultera lokala myndighet för avfallshantering angående bortskaffande av din apparat. Lokala myndigheter har ingen skyldighet att bortskaffa kommersiella kylapparater men kan ge råda om hur du bortskaffar produkten lokalt.

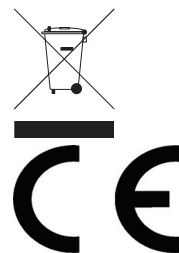
Du kan också ringa POLAR:s hjälplinje för information om nationella företag för avfallshantering i EU.

Tillmötesgående

WEEE-logotypen på den här produkten eller i dokumentationen anger att produkten inte får kastas med vanliga hushållssopor. För att förhindra hälso- och/eller miljöskador måste produkten lämnas in på en godkänd samlingsplats för miljösäker återvinning. Kontakta leverantören eller de lokala myndigheterna som ansvarar för sophantering om du vill ha mer information om hur produkten ska kastas.

POLAR-delarna har genomgått strikt produkttestning för att tillmötesgå reglerande normer och specifikationer utsatta av internationella, oberoende och statliga myndigheter.

POLAR-produkterna har godkänts för att bära följande symbol:



Sikkerhedstips

- Anbring apparatet på en jævn, stabil overflade.
- Installation og reparation skal udføres af en serviceagent/kvalificeret tekniker, hvis det bliver nødvendigt. Fjern ikke komponenter eller servicepaneler på dette produkt.
- Check de lokale og nationale standarder for at imødekomme det følgende:
 - Sikkerhed og sundhed på arbejdspladsen
 - BS EN Regler for god praksis
 - Brandforholdsregler
 - IEE Strømkabelregulativer
 - Bygningsvedtægter
- rBrug IKKE højtryksrensere til at rengøre apparatet.
- Brug IKKE dette apparat til opbevaring af medicinalvarer.
- Brug IKKE elektriske apparater inden i apparatet (f.eks. varmeapparater, ismaskiner, osv.).
- Du må IKKE stå eller støtte på soklen, skufferne eller lågerne.
- Lad IKKE olie eller fedtstof komme i kontakt med plastikkomponenterne eller lågeforsøglingen. Rens øjeblikkeligt, hvis der opstår kontakt.
- Kun egnet til indendørs brug.
- Flasker, der indeholder en høj alkoholprocent skal forsegles og anbringes lodret i køleskabet.
- Transporter, opbevar og håndter altid apparatet i lodret (opretstående) position og flyt det ved at holde i apparatets sokkel.
- Sluk altid strømmen og afbryd strømforsyningen til enheden før rengøring.
- Opbevar al emballage utilgængeligt for børn. Bortskaf emballagen i henhold til de lokale love og bestemmelser.
- Hvis strømledningen er beskadiget, skal den udskiftes af en POLAR agent eller en anbefalet kvalificeret tekniker, for at undgå fare.

Produktbeskrivelse

G608 - POLAR 5 x ¼ Beholder køledisk/anretning

G609 - POLAR 7 x ¼ Beholder køledisk/anretning

G610 - POLAR 9 x ¼ Beholder køledisk/anretning

G611 - POLAR 10 x ¼ Beholder køledisk/anretning

Introduktion

Brug et par minutter til at læse denne vejledning omhyggeligt igennem. Korrekt vedligeholdelse og drift af denne maskine vil give dit POLAR produkt den bedst mulige ydelse.

Emballagens indhold

Følgende er inkluderet:

- POLAR køleskab eller fryser
- Topglaspanel
- Bagglaspanel
- Sideglaspaneler x 2
- Instruktionsvejledning
- Flanger x 6
- Konsoller x 7
- Gevindtapper x 7
- Skruer x 12
- Propper x 14
- Gastranorm adapterstang
- Justerbare fødder x 4

POLAR er stolte vores kvalitet og service, der sikrer at det leverede indhold er fuldt funktionelt og fri for skader ved pakning.

Skulle du alligevel opdage skader, som resultat af transporten, bedes du kontakte din POLAR forhandler med det samme.

Installation



Bemærk: Hvis udstyret ikke er blevet opbevaret eller flyttet i opret stilling, skal De lade det stå i ca. 12 timer, før det sættes i drift. Hvis De er i tvivl, skal De give udstyret tid til at stå.

1. Fjern apparatet fra pakken. Sørg for, at al beskyttelsesplastik og coatings fjernes helt fra alle overflader.
2. Oprethold en afstand på 20cm mellem enheden og væggene eller andre objekter, med hensyn til ventilation. Forøg denne afstand, hvis forhindringen er en varmekilde.



Bemærk: Før apparatet tages i brug første gang, skal hylderne og apparatets indvendige side rengøres med sæbevand.

Niveller apparatet ved at justere stilfødderne.

Anbringelse af glaspaneler

1. Skru flangerne til kanten af apparatet.



Bemærk: Kontroller hullet i flangen til gevindtapperne vender indad.

2. Sæt de to sidepaneler ind i flangerne med hullerne i glasset på toppen.



Bemærk: Kontroller, at skruehullet længst fremme fra kanten af panelet går helt ind til apparatets bagside.

3. Skru en gevindtap i hver flange for at fastgøre panelerne.



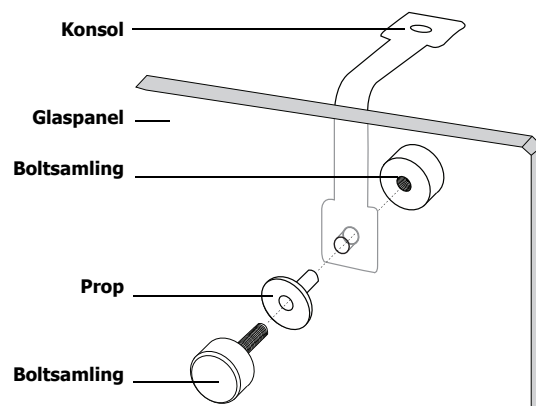
Bemærk: Kontroller at den bløde ende af gevindtappene er den ende, der kommer i kontakt med glasset.

4. Sæt de to bagpaneler ind i flangerne med hullerne i glasset på toppen.
5. Skru en gevindtap i hver flange for at fastgøre panelerne.
6. Sæt plastikpropperne i hvert af hullerne.
7. Skru konsollerne på indersiden af hvert panel ved hjælp af boltsamlingerne.



Bemærk: Kontroller, at den korte ende af boltsamlingen er på panelernes yderside.

8. Anbring toppanelet på konsollerne og kontroller, at alle hullerne er på linje.
9. Sæt propperne i og fastgør toppanelet til konsollerne med boltsamlingerne.



Drift

Opbevaring af fødevarer

For at få de bedste resultater med dit POLAR apparat, skal du følge disse instruktioner:

- Opbevar kun fødevarer i apparatet, når det har nået den rigtige driftstemperatur.
- Sørg for, at gastronom-kassetterne altid er fyldte, også selv om gastronomer ikke er i brug eller er tomme. Tomme kassetter vil reducere apparatets effektivitet betydeligt.
- Luk altid låget, når apparatet ikke er i brug.
- Bloker ikke blæserne inden i apparatet.

Tænd

1. Sørg for, at strømkontakten står på [O] og tænd ved stikkontakten.
2. Slå strømmen til [I]. Den aktuelle temperatur i apparatet vises.

Kontrolpanel



Lås/frigør kontrolpanel

For at låse kontrolpanelet:

1. Tryk og hold knapperne UP(op) og DOWN (ned) nede i 10 sekunder.
2. *PoF* blinker på displayet og tastaturet er låst.

For at frigøre kontrolpanelet:

1. Tryk og hold knapperne UP(op) og DOWN (ned) nede i 10 sekunder.
2. *PoN* blinker på displayet og tastaturet er frigjort.

Bemærk: Hvis en knap ikke trykkes ind i 10 sekunder mens kontrolpanelet er i brug, går det i time out og vender tilbage til standby-tilstand. Når parametrene indstilles, blinker Setpoint LED på displayet.

Indtastning af parametermenuen

1. Frigør kontrolpanelet, hvis det er låst.
2. Tryk og hold SET(indstilling) knappen indtil 'd /' blinker på displayet.
3. Tryk på INDSTIL knappen gentagne gange om nødvendigt for at rulle til den ønskede parameter (se nærmere oplysninger om parametre i "Beskrivelse af parametre").

Sådan ændres en parameterværdi

Bemærk: POLAR apparatet er forudindstillet med standardparametre, som generelt regnes for at være egnede til normal brug.

En værdi ændres (om nødvendigt) på følgende måde:

1. Mens den ønskede parameter vises, ændres værdien med OP og NED knappen.
2. Tryk på INDSTIL knappen for at gemme værdien.

Bemærk: Betjeningspanelet går automatisk til næste parameter. Man kommer tilbage til standby ved at lade betjeningspanelet "time out".

Beskrivelse af parametre


Parameter	Navn	Beskrivelse	Interval	Standard-parameterværdie
d1	Driftstemperatur	Indstil apparatets driftstemperatur	-2°C til 10°C	2°C
d2	Temperatur differentiale	Temperaturdifferentialet er den tilladte temperaturforskel over og under driftstemperaturen før kompressoren starter/afbrydes	0 til 20°C	2°C
d3	Temperaturinterval	Indstil de minimum- (d3) og maksimum- (d4) temperaturer, som apparatet kan svinge indenfor	-40°C	0°C
d4			95°C	10°C
d5	Kompressoraktivering Tidsintervaller	Tidsintervaller Indtast minimum tidsinterval mellem at kompressoren slukker efter den tænder	0-999 sekunder	99
db	Maksimumtemperatur Differentialealarm	Indstil en alarm, der skal lyde, hvis temperaturen inden i apparatet overskrider den indstillede driftstemperatur med en angivet mængde	0°C-50°C	50
d7	Temperatur Differentialealarm forsinkelse	Indstil en forsinkelse før temperaturdifferentialealermen sætter i gang	0-99 minutter	0
dB	Tid afrimningscyklus	Indstil tiden mellem hver afrimningscyklus	1-99 timer	24
d9	Maksimum afrimnings varighed	Indstil afrimningscyklens længde. Bemærk: Afrimningens varighed kan tilsidesættes af parameter d10 (nedenfor), hvis afbrydelsestemperaturen er nået før slutningen på afrimningens varighed	0-999 minutter	1
d10	Afrimningsafbrydelse Temperatur	Indstil afrimningsafbrydelsestemperaturen	-45°C til 50°C	Ikke relevant
d11	Ekstra afbrydelse Afrimningsperiode	Indstil en ekstra mængde afrimningstid efter at afrimningsafbrydelsestidspunktet er nået (hvis påkrævet)	0-99 minutter	Ikke relevant
d12	Display forsinket faktisk temperatur	Indstil den tidslængde, som apparatets indvendige temperatur (før afrimning startes) vises for efter en afrimningscyklus er afsluttet	0-99 minutter	0
d13	Kompressor Til/Fra under afrimning	Slå kompressoren til eller fra under afrimningscyklen	Til (↑) eller Fra (↓)	Ikke relevant
d14	Fordamper tørretid	Indstil den tidslængde, som kompressoren forbliver slukket efter en afrimningscyklus, hvilket reducerer den ophobede frostmængde	0-99 minutter	0
=19	Temperatur Offset	Hvis der skulle være nogen variation mellem den målte temperatur og den faktiske temperatur, kan den målte temperatur være offset som kompensation	-20°C til 20°C	-5°C
=22	Måleenhed	Indstil om temperaturen er vist Celsius eller Fahrenheit	Celsius (°C) eller Fahrenheit (°F)	0
=23	Kompressordrift ved sondefejl	Indstil om kompressoren kører eller forbliver slukket under temperatursondefejl	Kompressoren kører (↑) Forbliver slukket indtil fejlen er udbedret (↓) Kører periodisk med parametrene =24 og =25 (↔)	2
=24	Kompressor 'Til' varighed	Indstil den tidslængde, som kompressoren forbliver slukket (Fra) under en temperatursondefejl	1-99 minutter	10
=25	Kompressor 'Fra' varighed	Indstil den tidslængde, som kompressoren forbliver slukket (Fra) under en temperatursondefejl	1-99 minutter	10
=34	Indledende afrimning efter opstart	Indstil om apparatet starter en afrimningscyklus 10 minutter efter start eller efter den tid, der er programmeret i parameteren dB	Begynder 10 minutter efter start (↑) eller når den er programmeret (↓)	Ikke relevant
=38	Minimumtemperatur Alarm	Indstil displayet til at blinke i tilfælde af, at apparatets indvendige temperatur falder til under et specifikt punkt fra den programmerede driftstemperatur	1°C til 50°C	40°C


Manuel afrimning

Apparatet vil automatisk køre en afrimningscyklus hver sjette time.

 **Bemærk: Cyklen starter fra det tidspunkt hvor apparatet blev sat til.**

For at afrime apparatet manuelt:

- Tryk og hold DEFROST  knappen i 5 sekunder.
- Afrimningscyklen starter med det samme og afrimningsdioden lyser. Afrimningen vil vare maks. 30 minutter.

 **Bemærk: Start af en manuel afrimning vil også nulstille den automatiske afrimningstimer. Den næste automatiske afrimning vil starte seks timer efter at den manuelle afrimning er færdig.**

- Spildevand opsamles i spildevandsbakken.

Rengøring, pleje og vedligeholdelse

- Sluk og afbryd strømmen før rengøring.
- Rengør apparatets indvendige side så ofte som muligt.
- Brug ikke skuremidler. De kan efterlade skadelige rester.
- Rengør kun lågeforsøglingen med vand.
- Tør altid efter hver rengøring.
- Lad ikke vand, der er brugt til rengøring, løbe igennem dræningshullet og ind i fordampningsbakken.
- Vær forsigtig, når du rengør apparatets bagside. Man kan skære sig på skarpe kanter.
- En POLAR agent eller en kvalificeret tekniker skal udføre reparationer, hvis det er nødvendigt.

Rengøring af kondensator

Regelmæssig rengøring af kondensatoren kan forlænge apparatets levetid.

POLAR anbefaler, at en POLAR agent eller kvalificeret tekniker rengør kondensatoren.

Fejlfinding

Hvis dit POLAR apparat udvikler fejl, skal du afkrydse den følgende tabel før du kontakter POLAR Helpline eller din POLAR forhandler.

Fejl	Mulig årsag	Løsning
Apparatet virker ikke	Apparatet er ikke tændt	Kontroller, at apparatet er sat rigtigt i stikkontakten og er tændt
	Stik og ledning er beskadiget	Kontakt POLAR agenten eller en kvalificeret tekniker
	En sikring i stikket er sprunget	Udskift stiksikringen
	Strømforsyning	Kontroller strømforsyningen
	Intern ledningsfejl	Kontakt POLAR agenten eller en kvalificeret tekniker
Apparatet tændes, men temperaturen er for høj/lav	For meget rim i fordampningsapparatet	Afrim apparatet
	Kondensatoren er blokeret af støv	Kontakt POLAR agenten eller en kvalificeret tekniker
	Lågerne lukker ikke ordentligt til	Kontroller, at lågerne er lukkede og at forseglingerne ikke er beskadigede
	Apparatet er anbragt i nærheden af en varmekilde eller lufttilstrømningen til kondensatoren afbrydes	Flyt køleskabet til et mere passende sted
	Den omgivende temperatur er for høj	Forøg ventilation eller flyt apparatet til et køligere sted
	Uegnede fødevarer opbevares i apparatet.	Fjern meget varme fødevarer eller blokeringer af blæseren
	Apparatet er overfyldt	Reducer mængden af fødevarer i apparatet
Apparatet lækker vand	Apparatet er ikke nivelleret ordentligt	Juster stillefodderne til apparatet er nivelleret (om nødvendigt)
	Afløbet er blokeret	Rengør afløbet
	Vandets bevægelse til drænet er blokeret	Rengør apparatets gulv (om nødvendigt)
	Vandbeholderen er beskadiget	Kontakt POLAR agenten eller en kvalificeret tekniker
	Drypbakken løber over	Tøm drypbakken (om nødvendigt)
Apparatet larmer usædvanligt meget	Sikkerhedsbåndet er ikke blevet fjernet	Fjern sikkerhedsbåndet
	Løsn møtrik/skrue	Kontroller og spænd alle møtrikker og skruer
	Apparatet er ikke blevet installeret i en plan eller stabil position	Kontroller installationsposition og skift den om nødvendigt

Fejlmeddelelser

Følgende tabel oplyser om årsagen og apparatets efterfølgende respons på fejlene.

Fejlmeddelelse (blinker)	Årsag	Apparatets respons	Løsning
H _{LR}	Den indvendige temperatur overskrider den indstillede maksimumtemperatur	Displayet blinker Skiftende fejlmeddelelse og faktisk temperatur	Kontroller fejlfindingsvejledningen Hvis problemet fortsætter, skal du kontakte en POLAR agent eller en kvalificeret tekniker
L _{LR}	Den indvendige temperatur overskrider den indstillede minimumtemperatur	Displayet blinker Skiftende fejlmeddelelse og aktuel temperatur	Kontroller fejlfindingsvejledningen Hvis problemet fortsætter, skal du kontakte en POLAR agent eller en kvalificeret tekniker
PF 1	Kortslutning eller afbrydelse af termostatens input-linie	Displayet blinker	Kompressoren kører som angivet af parameter '=23'
PF2	Kortslutning eller afbrydelse af fordampers input-linie	Displayet blinker	Afrim som angivet af parametrene d ₈ og d ₉
H _{LR}	Den indvendige temperatur er højere end 90°C	Displayet blinker	Kontakt POLAR agenten eller en kvalificeret tekniker
L _{LR}	Den indvendige temperatur er lavere end -45°C	Displayet blinker	Kontakt POLAR agenten eller en kvalificeret tekniker

Alarmmeddelelserne vil slutte, når alarmudløseren ikke længere er til stede, undtaget PF1 og PF2, der kræver at apparatet vil blive slukket og derefter tændt igen.

Tekniske specifikationer

Model	Spænding	Strøm	Strømstyrke	Temperaturinterval	Kapacitet (liter)	Kølemiddel	Mål h x b x d (mm)	Vægt (kg)
G608	230V 50Hz	150W	1A	2°C til 10°C	5 x Gastranorm ¼ beholder	R134a 120g	435 x 1200 x 330	25
G609	230V 50Hz	150W	1A	2°C til 10°C	7 x Gastranorm ¼ beholder	R134a 130g	430 x 1500 x 330	29
G610	230V 50Hz	150W	1A	2°C til 10°C	9 x Gastranorm ¼ beholder	R134a 155g	430 x 1800 x 330	32
G611	230V 50Hz	230W	1,6A	2°C til 10°C	10 x Gastranorm ¼ beholder	R134a 155g	430 x 2000 x 330	34

EI-kabler

Stikket skal tilsluttes til en passende hovedkontakt.

Apparatet er kabelført som følger:

- Strømførende ledning (brun) til terminal L
- Neutral ledning (blå) til terminal N
- Jordledning (grøn/gul) til terminal E

Dette apparat skal være jordforbundet med et fast fejlstrømsrelæ.

Spørg en autoriseret elektriker i tvivlstilfælde.

Elektriske isolationspunkter skal holdes fri af blokeringer. I nødstilfælde skal de være tilgængelige for afbrydelse.

Bortskaffelse

EU-regulativer kræver at køleprodukter skal bortskaffes af specialiserede firmaer, der fjerner eller genbruger alle gasarter, metaller og plastikdele.

Spørg din lokale genbrugsstation om bortskaffelse af dit apparat. De lokale myndigheder er ikke forpligtet til at bortskaffe kommercielt køleudstyr, men kan tilbyde rådgivning omkring hvordan man bortskaffer udstyret lokalt.

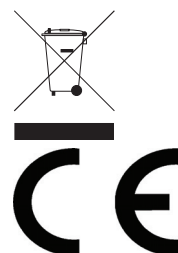
Eller du kan kontakte POLAR helpline for oplysninger om nationale bortskaffelsesfirmaer indenfor EU.

Overensstemmelseserklæring

WEEE-logoet på dette produkt eller den tilhørende dokumentation angiver, at produktet ikke må bortskaffes som almindeligt husholdningsaffald. For at forhindre mulig fare for personers helbred og/eller miljøet, skal produktet bortskaffes gennem en godkendt og miljøvenlig genbrugsproces. For yderligere oplysninger om, hvordan dette produkt bortskaffes korrekt, skal De kontakte leverandøren af produktet eller de lokale myndigheder, som er ansvarlige for bortkastning af affald i Deres omegn.

POLAR dele har gennemgået streng produkttestning for at overholde de normer, standarder og specifikationer, som er fastsat af internationale, uafhængige og amerikanske føderale myndigheder.

POLAR produkter er godkendt til at bære følgende symbol:



Med forbehold for alle rettigheder. Ingen del af disse anvisninger må produceres eller transmitteres i noget format eller på nogen måde, hvad enten det drejer sig om elektronisk, mekanisk, fotokopiering, lagring på edb eller andet, før der er blevet forudindhentet skriftlig tilladelse hertil fra POLAR.

Der er blevet gjort alle bestræbelser på at sikre, at oplysningerne er korrekte på trykningstidspunktet, men POLAR forbeholder sig ret til at ændre specifikationerne uden varsel.

Sikkerhetstips

- Plasser på en vannrett og stabil flate.
- Installasjon og all reparasjon skal utføres av en serviceagent eller en kyndig tekniker. Komponenter eller inspeksjonsdeksler må ikke fjernes på dette produktet.
- Rådfør deg med lokale og nasjonale standarder for å oppfylle følgende:
 - HMS-lovgivningen (Helse/Miljø/Sikkerhet)
 - Bransjestandard BS EN
 - Forholdsregler mot brann
 - IEE-forskrifter for tilkoping
 - Byggeregler
- IKKE BRUK spyle/trykkvaskere for å rengjøre kjøleskapet/fryseren.
- IKKE BRUK dette kjøleskapet/fryseren til lagring av medisiner.
- IKKE BRUK elektriske husholdningsapparater inne i kjøleskapet/fryseren (for eksempel varmeovner, iskremmaskiner osv.).
- IKKE stå på eller støtt deg på sokkelen, skuffene eller dørene.
- IKKE la olje eller fett komme i kontakt med plastkomponentene eller dørtetningen. Gjør rent med en gang hvis olje/fett kommer i kontakt.
- Kun egnet til bruk innendørs.
- Flasker som inneholder høy alkoholprosent skal forsegles og plasseres vertikalt i kjøleskapet.
- Kjøleskapet/fryseren skal alltid bæres, lagres og håndteres i vertikal stilling og bli flyttet ved å holde på sokkelen for kjøleskapet/fryseren.
- Strømmen skal alltid slås av og frakoples før enheten gjøres ren.
- Hold all emballasje borte fra barn. Deponer emballasje i følge forskriftene bestemt av myndighetene på stedet.
- Hvis strømledningen er skadet skal den skiftes ut av en POLAR-agent eller en anbefalt kyndig tekniker for å unngå noen farerisiko.

Produktbeskrivelse

G608 - POLAR kjøledisk m/5 stk. ¼ beholdere og arbeidstopp for servering/tilberedning

G609 - POLAR kjøledisk m/7 stk. ¼ beholdere og arbeidstopp for servering/tilberedning

G610 - POLAR kjøledisk m/9 stk. ¼ beholdere og arbeidstopp for servering/tilberedning

G611 - POLAR kjøledisk m/10 stk. ¼ beholdere og arbeidstopp for servering/tilberedning

Innledning

Vennligst ta deg tid til å lese nøye gjennom denne håndboka. Korrekt vedlikehold og bruk av ismaskinen vil gi best mulig ytelse på ditt POLAR-produktet.

Pakkeinnhold

Følgende er inkludert:

- POLAR kjøleskap eller fryser
- Øvre glasspanel
- Bakre glasspanel
- Sideglasspaneler, 2 stk.
- Brukerhåndbok
- Krager, 6 stk.
- Braketter, 7 stk.
- Snittskruer, 7 stk.
- Skruer, 12 stk.
- Plugg, 14 stk.
- Gastronorm adapterstang
- Justerbare føtter, 4 stk.

POLAR er stolt av sin kvalitet og service, og garanterer at da innholdet ble pakket var det fullstendig funksjonelt og uten skade.

Skulle du finne noe som helst skade som et resultat av transitt, vennligst ta omgående kontakt med POLAR-forhandleren på stedet.

Installasjon

⚠ Merk: Hvis apparatet ikke har vært transportert eller lagret stående, la det stå i ro i stående stilling i ca. 12 timer før det tas i bruk. Hvis du er i tvil så la det stå.

1. Ta kjøleskapet/fryseren ut av emballasjen. Sjekk at all plastfilmbeskyttelse og belegg er fjernet fra alle overflater.
2. Det skal være en avstand på 20 cm mellom enheten og vegger eller andre gjenstander for å opprettholde ventilasjon. Øk avstanden hvis hindringen er en varmekilde.

⚠ Merknad: Før kjøleskapet/fryseren tas i bruk første gangen, gjør hyllene og det innvendige rent med såpevann.

3. Niveller kjøleskapet/fryseren ved å justere skruene på føttene.

Montere glasspaneler

1. Skru kragene fast til kanten på kjøledisken.

⚠ Merknad: Sjekk at hullet i kragen for snittskruen peker innover.

2. Monter de to sidepanelene i kragene, med hullene i glasset oppe.

⚠ Merknad: Sjekk at skruerhullet lengst unna panelkanten går bak på kjøledisken.

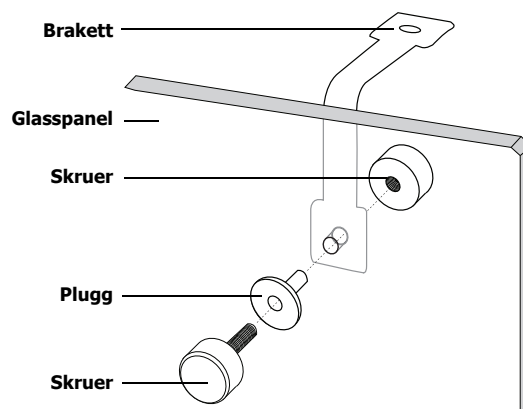
3. Monter en snittskruer i hver krage for å sikre panelene.

⚠ Merknad: Forsikre deg om at den myke enden på snittskruen er enden som ligger mot glasset.

4. Monter bakre panel i kragene, med hullene i glasset på toppen.
5. Monter en snittskruer i hver krage for å sikre panelet.
6. Monter plastpluggene i hvert av hullene.
7. Skru brakettene fast på innsiden av hvert glass ved å bruke skruene.

⚠ Merknad: forsikre deg om at den korte enden på skruen er på yttersiden av panelet.

8. Plasser topp-panelet på brakettene - sjekk at alle hullene er tilpasset.
9. Set inn pluggene og fest topp-panelet til brakettene med skruene.



Bruk

Lagring av mat

For å få det beste resultatet fra POLAR kjøleskapet/fryseren, følg disse instruksene:

- Lagre kun matvarer i kjøleskapet/fryseren når korrekt arbeidstemperatur er nådd.
- Sørg for at gastronorm-seksjonene hele tiden er fylt selv om gastronormene ikke er i bruk eller er tomme. Tomme seksjoner vil i stor grad redusere effektiviteten på kjøledisken.
- Lokket skal alltid lukkes når enheten ikke er i bruk.
- Dekk ikke over vifter innvendig i kjøleskapet/fryseren.

Slå på

1. Sjekk at strømbryteren er satt på [O] og slå på kontakten/sett støpslet i kontakten.
2. Slå på strømmen [I]. Nåværende temperatur i kjøleskapet/fryseren innvendig blir vist.

Kontrollpanel



Låse/Låse opp kontrollpanelet

For å låse kontrollpanelet:

1. Trykk og hold på OPP (▲) og NED (▼) knappene samtidig i 10 sekunder.
2. *Por* blinker på skjermen og tastaturet er låst.

For å låse opp kontrollpanelet:

1. Trykk og hold på OPP (▲) og NED (▼) knappene samtidig i 10 sekunder.
2. *Por* blinker på skjermen og tastaturet er låst opp.

⚠ Merknad: Hvis en knapp ikke er trykket i 10 sekunder når kontrollpanelet brukes, blir den tidsutløst og går tilbake til klarstillingmodus. Når parametre blir innstilt, vil LED for innstillingsverdi blinke på skjermen.

Gå inn i parametermeny

1. Lås opp kontrollpanelet, hvis låst.
2. Trykk og hold på INNSTILL (SET) knappen helt til 'd 1' blinker på skjermen.
3. Hvis nødvendig, trykk på innstillingsknappen (SET (SET)) gjentatte ganger for å skrolle til ønsket parameter (se "Parameterbeskrivelser" for parameterdetaljer).

Endre parameterverdi

⚠ Merk: POLAR-apparatet er forhåndsinnstilt med standard parametere ansett for å egne seg til normal bruk. POLAR anbefaler at du bruker de forhåndsinnstilte verdiene.

For å endre verdien, (hvis nødvendig):

1. Med ønsket parameter vist, endre verdien ved å bruke OPP (UP (▲)) eller NED (DOWN (▼)) knappen.
2. Trykk på innstillingsknappen (SET (SET)) for å lagre verdien.

⚠ Merk: Kontrollpanelet vil automatisk gå til neste parameter. For å returnere til klarstilling, må kontrollpanelet fullføre tidsutløsning.

Parameterbeskrivelser

Parameter	Navn	Beskrivelse	Område	Standard parameterverdier
d 1	Arbeidstemperatur	Innstill kjøleskapet/fryseren på arbeidstemperatur	-2 °C til 10 °C	2°C
d 2	Temperaturdifferanse	Temperaturdifferansen er den tillatte temperaturforskjellen over og under arbeidstemperaturen før kompressoren starter/slår seg av	0 til 20 °C	2°C
d 3	Temperaturområde	Innstill minimum (d 3) og maksimum (d 4) temperatur som kjøleskapet/fryseren kan veksle mellom	-40 °C	0°C
d 4			95 °C	10°C
d 5	Kompressoraktivering Tidsintervaller	Tidsintervaller – Sett inn minimumstiden for kompressoren når den slår seg av etter at den ble slått på	0-999 sekunder	99
d 6	Alarm for maksimum temperaturdifferanse	Innstill en lydalarm hvis temperaturen innvendig i kjøleskapet/fryseren overskrider innstilt arbeidstemperatur ved spesifisert verdi	0 °C–50 °C	50


Parameter	Navn	Beskrivelse	Område	Standard parameterverdier
d7	Alarmporsinkelse for temperaturdifferanse	Innstill en forsinkelse før alarmen for temperaturdifferanse blir utløst	0-99 minutter	0
d8	Syklustid for avising	Innstill tiden mellom hver avisingssyklus	1-99 timer	24
d9	Maksimum avisingstid	Innstill maksimum lengde på avisingssyklus Merknad: Avisingstiden kan bli overkoplet ved parameter d10 (nedenfor), hvis utkoplingstemperaturen er nådd før avisingstiden er ferdig	0-999 minutter	1
d10	Utkoplingstemperatur for avising	Innstill utkoplingstemperaturen for avising	-45 °C til 50 °C	Gjelder ikke
d11	Ekstra utkoplingsperiode for avising	Innstill ekstra avisingstid etter at utkoplingspunktet for avising har blitt nådd (hvis ønsket)	0-99 minutter	Gjelder ikke
d12	Forsinket aktuell temperaturvisning	Innstill tiden som den indre temperatur vises på kjøleskapet/fryseren (før avising startet) etter at en avisingssyklus er ferdig	0-99 minutter	0
d13	Kompressor På/Av under avising	Slå kompressoren På eller Av under avisingssyklusen	På (I) eller Av (U)	Gjelder ikke
d14	Tørketid på fordampner	Innstill tiden kompressoren holder seg slått Av etter en avisingssyklus som reduserer oppbygging av is.	0-99 minutter	0
=19	Temperaturforskyvning	Skulle det oppstå forskjell mellom målt og aktuell temperatur, kan den målte temperaturen blir utlignet for å kompensere	-20 °C til 20 °C	-5°C
=22	Enhetsmål	Innstill om temperaturen skal vises i °Celsius eller Fahrenheit	Celsius (U) eller Fahrenheit (I)	0
=23	Kompressor drift under sensorsvikt	Innstill om kompressoren skal være i drift eller være slått Av når temperatursensoren svikter	Kompressor i drift (I) Holder seg Av til feilen er ordnet (U) Arbeider periodisk med parametrene =24 og =25 (Z)	2
=24	Periode for kompressor 'På'	Innstill tiden som kompressoren holder seg AV når temperatursensoren svikter	1-99 minutter	10
=25	Intervall for kompressor 'Av'	Innstill tiden som kompressoren holder seg AV når temperatursensoren svikter	1-99 minutter	10
=34	Arbeidstemperatur	Innstill kjøleskapet/fryseren på arbeidstemperatur	-2 °C til 10 °C	Gjelder ikke
=38	Temperaturdifferanse	Temperaturdifferansen er den tillatte temperaturforskjellen over og under arbeidstemperaturen før kompressoren starter/slår seg av	0 til 20 °C	40°C

Manuell avising

Apparatet vil foreta en automatisk avisingssyklus hver 6. time.

 **Merknad: Syklusen starter fra tiden da kjøleskapet/fryseren er slått på først gangen.**

Manuell avising av kjøleskapet/fryseren:

1. Trykk og hold på AVISING  knappen i 5 sekunder.
2. Avisingssyklusen starter omgående og LED-en for avising tenner. Avisingen vil vare maksimum 30 minutter.

 **Merknad: Start av en manuell avising vil også tilbakestille tidsuret for automatisk avising. Neste automatiske avising vil starte seks timer etter at den manuelle avisingen er ferdig.**

3. Vann akkumuleres i oppsamlingsbrettet.

Rengjøring, ettersyn og vedlikehold

- Slå av og frakople strømtilførselen før rengjøring.
- Gjør kjøleskapet/fryseren ren innvendig så ofte som mulig.
- Bruk ikke abrasivt rengjøringsmiddel. Dette kan legge igjen skadelige rester.
- Dørtetningen skal kun gjøres ren med vann.
- Tørk alltid opp etter rengjøring.
- Sørg for at vann brukt til rengjøring ikke renner gjennom dreneringshullet og i fordampningsbeholderen.
- Vær forsiktig når kjøleskapet/fryseren gjøres rent på baksiden. Du kan få kutt fra skarpe kanter.
- Nødvendige reparasjoner skal utføres av en POLAR-agent eller en kyndig tekniker.

Rengjøring av kondensator

Periodisk rengjøring av kondensatoren kan forlenge levetiden på kjøleskapet/fryseren.

POLAR anbefaler at rengjøring a kondensatoren skal utføres av en POLAR-agent eller en kyndig tekniker.

Feilsøking

Skulle POLAR mikrobølgeovnen utvikle feil, sjekk følgende tabell før du ringer hjelpelinjen eller tar kontakt med POLAR-forhandleren på stedet.

Feil	Sannsynlig årsak	Aksjon
Kjøleskapet/fryseren fungerer ikke	Kjøleskapet/fryseren er ikke slått på	Sjekk at støpslet på kjøleskapet/fryseren er plugget inn korrekt og at kontakten er slått på
	Støpsel og ledning er skadet	Ring POLAR-agenten eller en kyndig tekniker
	Sikringen i støpslet har gått	Skift ut sikringen i støpselet
	Strømtilførsel	Sjekk strømtilførselen
	Intern koplingsfeil	Ring POLAR-agenten eller en kyndig tekniker
Kjøleskapet/fryseren slår seg på, men temperaturen er for høy/lav	For mye is på fordampere	Foreta avising av kjøleskapet/fryseren
	Kondensatoren er tett med støv	Ring POLAR-agenten eller en kyndig tekniker
	Dørene er ikke ordentlig lukket	Sjekk at dørene er lukket og at tetningene ikke er skadet
	Kjøleskapet/fryseren er plassert i nærheten av en varmekilde, eller luftstrøm til kondensatoren er forstyrret	Flytt kjøleskapet/fryseren til et mer egnet sted
	Omgivelsestemperaturen er for høy	Øk ventilasjonen eller flytt kjøleskapet/fryseren på et sted hvor det er kjøligere
	Uegnede matvarer oppbevart i kjøleskapet/fryseren	Fjern eventuelle matvarer som er for varme, eller hindringer for vifta
	Kjøleskapet/fryseren er overbelastet	Reduser mengden matvarer oppbevart i kjøleskapet/fryseren
Kjøleskapet/fryseren lekker vann	Kjøleskapet/fryseren er ikke ordentlig nivellert	Juster skruene på føttene for å nivellere kjøleskapet/fryseren (hvis hensiktsmessig)
	Utløpet er tett	Frigjør utløpet
	Bevegelse av vann til dreneringen hindres	Rydd gulvet som kjøleskapet/fryseren står på (hvis hensiktsmessig)
	Vannbeholderen er skadet	Ring POLAR-agenten eller en kyndig tekniker
	Dryppebrettet renner over	Tøm dryppebrettet (hvis hensiktsmessig)
Kjøleskapet/fryseren støyer uvanlig	Sikkerhetsbåndet har ikke blitt fjernet	Fjern sikkerhetsbåndet
	Løse på mutrer/skruer	Sjekk og skru til alle mutrer og skruer
	Kjøleskapet/fryseren har ikke blitt installert i en vannrett eller stabil stilling	Sjekk plasseringen av installasjonen og foreta forandring om nødvendig

Feilmeldinger

Følgende tabell beskriver årsaken og etterfølgende feilmelding vist på kjøleskapet/fryseren.

Feilmelding (blinker)	Årsak	Reaksjon på kjøleskap/fryser	Aksjon
<i>H_{ER}</i>	Innvendig temperatur overskrider innstilt maksimumstemperatur	Skjermen blinker vekslende feilmelding og nåværende temperatur	Sjekk veiledningen for feilsøking Hvis problemet fortsetter ring POLAR-agenten eller en kyndig tekniker
<i>L_{ER}</i>	Innvendig temperatur overskrider innstilt minimumstemperatur	Skjermen blinker vekslende feilmelding og nåværende temperatur	Sjekk veiledningen for feilsøking Hvis problemet fortsetter ring POLAR-agenten eller en kyndig tekniker
<i>PF 1</i>	Kortslutning eller forstyrrelse på inngangsledningen for termostadføleren	Skjermen blinker	Kompressor fungerer som spesifisert ved parameter <i>'=23'</i>
<i>PF 2</i>	Kortslutning eller forstyrrelse på inngangsledningen for fordamparføleren	Skjermen blinker	Avis som spesifisert ved parameter <i>d_B</i> og <i>d_G</i>
<i>H_{LR}</i>	Innvendig temperatur er høyere enn 90 °C	Skjermen blinker	Ring POLAR-agenten eller en kyndig tekniker
<i>L_{LR}</i>	Innvendig temperatur er lavere enn -45 °C	Skjermen blinker	Ring POLAR-agenten eller en kyndig tekniker

Alarmmeldingen slutter når alarmutløseren ikke lenger er til stede, bortsett fra PF1 og PF2 som krever at kjøleskapet/fryseren blir slått Av og deretter På igjen.

Tekniske spesifikasjoner

Modell	Spenning	Strøm	Strømstyrke	Temperaturområde	Kapasitet (liter)	Kjølemedium	Mål h x w x d mm	Vekt (kg)
G608	230V 50Hz	150W	1A	2°C til 10°C	5 x gastronorm ¼ Container	R134a 120g	435 x 1200 x 330	25
G609	230V 50Hz	150W	1A	2°C til 10°C	7 x gastronorm ¼ Container	R134a 130g	430 x 1500 x 330	29
G610	230V 50Hz	150W	1A	2°C til 10°C	9 x gastronorm ¼ Container	R134a 155g	430 x 1800 x 330	32
G611	230V 50Hz	230W	1,6A	2°C til 10°C	10 x gastronorm ¼ Container	R134a 155g	430 x 2000 x 330	34

Elektrisk tilkoping

Støpselet skal tilkoples en passende strømkontakt.

Enheten er koplet som følger:

- Strømførende ledning (brun) - koplingspunkt merket L
- Nøytral ledning (blå) - koplingspunkt merket N
- Jordledning (grønn) - koplingspunkt merket E

Denne enheten skal ha jording ved å bruke en dedisert jordingskrets.

Hvis i tvil, rådfør deg med en kyndig elektriker.

Elektriske isolasjonspunkter / skillebrytere skal være uhindret. I et nødstilfelle hvor det er nødvendig med frakopling, skal de alltid være tilgjengelige.

Deponering

EU-regulativ krever at kjøleprodukter blir deponert av spesialfirmaer som fjerner eller foretar gjenvinning av alle gasser, metall- og plastkomponenter.

Rådfør deg med myndighetene som har med avfallstømming å gjøre på stedet angående din ismaskin. Lokale myndigheter er ikke forpliktet til å deponere industrielt kjøleutstyr, men vil muligens være i stand til å tilby råd om hvordan utstyret kan deponeres på stedet.

Alternativt kan du ringe POLARs hjelpelinje for opplysninger om nasjonale avfallsfirmaer innenfor EU.

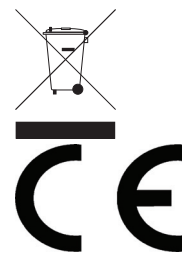
Samsvar

Logoen WEEE på produktet eller dets dokumentasjon betyr at produktet ikke må kastes som ordinært husholdningsavfall.

For å hindre skader på mennesker og/eller miljø må produktet kastes eller resirkuleres gjennom godkjente og trygge prosesser for avfallshåndtering. For ytterligere informasjon om hvordan produktet kasseres, kontakt den lokale leverandøren eller miljøstasjon.

Deler brukt av POLAR har gjennomgått streng produkttesting for å være i samsvar med regulative standarder og spesifikasjoner fastlagt av internasjonal, uavhengig og føderale myndigheter.

POLAR-produkter har blitt godkjent for å bære følgende symbol:



Turvallisuusvihjeitä

- Aseta laite tasaiselle, vakaalle pinnalle.
- Huoltoedustajan/pätevän huoltomiehen tulisi suorittaa asennus ja tarvittaessa kaikki korjaustyöt. Älä irrota mitään tämän laitteen osia tai huoltopaneelia.
- Katso tietoja paikallisista ja kansallisista standardeista varmistaaksesi, että seuraavia määräyksiä noudatetaan:
 - Työterveys- ja turvallisuuslainsäädäntö
 - BS EN-mukaiset ohjeet
 - Paloturvallisuusmääräykset
 - IEE-johdotusmääräykset
 - Rakennusmääräykset
- ÄLÄ käytä suihku/painepesuria laitteen puhdistamiseen.
- ÄLÄ käytä tätä laitetta lääke tuotteiden säilyttämiseen.
- ÄLÄ käytä muita sähkölaitteita tämän laitteen sisällä (esim. lämmittimiä, jäätelökoneita jne.).
- ÄLÄ seiso alustan, laatikkojen tai oven päällä äläkä ota niistä tukea.
- ÄLÄ anna öljyn tai rasvan tulla kosketuksiin muoviosien tai oven tiivisteiden kanssa. Puhdista ne heti, jos niihin on tullut öljyä tai rasvaa.
- Sopii käytettäväksi ainoastaan sisätiloissa.
- Pullot, joiden sisältämällä nesteellä on suuri alkoholiprosentti, on suljettava tiiviisti ja asetettava pystysuorassa asennossa jääkaappiin.
- Kylmälaitetta on kannettava, säilytettävä ja käsiteltävä aina pystyasennossa ja sitä siirretään pitämällä kiinni laitteen alusosasta.
- Kytke laitteen virta aina pois päältä ja irrota virtajohto seinäpistokkeesta ennen puhdistamista.
- Pidä kaikki pakkausmateriaali poissa lasten ulottuvilta. Hävitä pakkausmateriaali paikallisten viranomaisten määräysten mukaisesti.
- Jos virtajohto on vaurioitunut, saa sen vaihtaa uuteen ainoastaan POLAR-edustaja tai valtuutettu pätevä huoltomies vaarojen välttämiseksi.

Tuoteluettelo

- G608** - POLAR 5 x ¼ säiliöllä varustettu jäähdytetty tarjoilu/valmistustiski
G609 - POLAR 7 x ¼ säiliöllä varustettu jäähdytetty tarjoilu/valmistustiski
G610 - POLAR 9 x ¼ säiliöllä varustettu jäähdytetty tarjoilu/valmistustiski
G611 - POLAR 10 x ¼ säiliöllä varustettu jäähdytetty tarjoilu/valmistustiski

Johdanto

Käytä muutama minuutti tämän ohjekirjan lukemiseen huolellisesti läpi. Kun tätä POLAR-laitetta huolletaan ja käytetään oikein, saadaan siitä paras mahdollinen hyöty.

Pakkauksen sisältö

Pakkaus sisältää seuraavat:

- POLAR jääkaappi tai pakastin
- Ylätaso lasista
- Takapaneeli lasista
- Sivupaneelit lasista x 2
- Ohjekirja
- Kauluskappaleet x 6
- Kiinnittimet x 7
- Vaarnaruuvit x 7
- Ruuvit x 12
- Tulpat x 14
- Gastranorm-sovitintanko
- Säädettävät jalat x 4

POLAR on ylpeä laadusta ja palvelusta varmistaen, että laitetta pakattaessa pakkauksen sisältö on täysin kunnossa ja ilman vikoja.

Mikäli laite on kuljetuksen takia vaurioitunut, ota välittömästi yhteyttä POLAR-edustajaan.

Asennus



Huom.: Jos laitetta ei ole säilytetty pystyasennossa tai sitä ei ole siirretty pystyssä, anna sen seisoa pystyasennossa noin 12 tuntia ennen käyttöä. Jos asiasta ei ole varmuutta, jätä laite seisomaan.

1. Ota laite pakkauksesta. Varmista, että kaikki suojaavat muovikalvot ja pinnoitteet on poistettu tarkasti kaikilta pinnoilta.
2. Pidä kylmälaitteen ja seinien tai muiden tasojen välillä 20cm etäisyys tuuletusta varten. Tätä etäisyyttä on lisättävä, jos este on lämmön lähde.



Huom.: Ennen kuin kylmälaitetta käytetään ensimmäistä kertaa, tulisi hyllyt ja sisäosat puhdistaa saippuvedellä.

3. Aseta kylmälaite vaakatasoon säätämällä ruuvattavia jalkoja.

Asenna lasipaneeli

1. Ruuvaa kauluskappaleet laitteen ulkoreunoihin.



Huom.: Varmista, että kauluskappaleen vaarnaruuville tarkoitettu reikä osoittaa sisäänpäin.

2. Pujota molemmat sivupaneelit kauluskappaleisiin siten, että lasissa olevat reiät jäävät yläosaan.



Huom.: Varmista, että kauimpana paneelin reunasta oleva ruuvin reikä menee laitteen takaosaan.

3. Ruuvaa vaarnaruuvi kuhunkin kauluskappaleeseen paneelin kiinnittämiseksi.



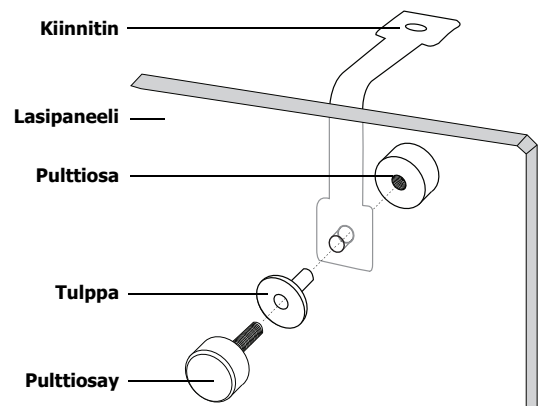
Huom.: Varmista, että vaarnaruuvien pehmeä pää on se ruuvien pää, joka koskettaa lasia.

4. Pujota takapaneeli kauluskappaleisiin siten, että lasissa olevat reiät jäävät yläosaan.
5. Ruuvaa vaarnaruuvi kuhunkin kauluskappaleeseen paneelin kiinnittämiseksi.
6. Työnnä muovitulpat kuhunkin reikään.
7. Ruuvaa kiinnittimet kunkin ruudun sisäpuolelle pulttiosia käyttäen.



Huom.: Varmista, että pulttiosan lyhyt pää on paneelien ulkopuolella.

8. Aseta ylätasopaneeli kiinnittimien päälle varmistaen, että kaikki reiät ovat kohdallaan.
9. Työnnä tulpat sisään, ja kiinnitä ylätaso kiinnittimiin pulttiosilla.



Käyttö

Ruokatarvaroiden säilytys

Noudata seuraavia ohjeita saadaksesi parhaimmat tulokset POLAR -kylmälaitteella:

- Säilytä ruokatarvaroita kylmälaitteessa ainoastaan silloin, kun laite on saavuttanut oikean käyttölämpötilan.
- Varmista, että gastronorm-astioiden syvennyksissä on aina astiat, vaikka niitä ei käytettäisi tai ne ovat tyhjiä. Tyhjät syvennykset vähentävät huomattavasti kylmälaitteen tehoa.
- Sulje kansi aina, kun laitetta ei käytetä.
- Älä aseta mitään estettä laitteen sisällä olevien tuulettimien eteen.

Päällekytkeminen

1. Varmista, että virtakytkin on asetuksella [O] ja kytke virta seinäpistorasiaan.
2. Kytke virta päälle [I]. Kylmälaitteen sisällä vallitseva lämpötila tulee näyttöön.

Ohjauspaneeli



Ohjauspaneelin lukitseminen/lukituksen avaaminen

Ohjauspaneeli lukitaan seuraavasti:

1. Paina YLÖS (▲) ja ALAS (▼) -painikkeita samanaikaisesti ja pidä niitä alhaalla 10 sekunnin ajan.
2. *Por* vilkkuu näytössä ja näppäimistö lukittuu.

Ohjauspaneelin lukitus avataan seuraavasti:

1. Paina YLÖS (▲) ja ALAS (▼) -painikkeita samanaikaisesti ja pidä niitä alhaalla 10 sekunnin ajan.
2. *Por* vilkkuu näytössä ja näppäimistön lukitus poistuu.



Huom.:

Jos jotakin painiketta pidetään alas painettuna 10 sekuntia ohjauspaneelia käytettäessä, tulee siihen aikakatkaistu ja se siirtyy takaisin valmiustilaan.

Parametreja asetettaessa vilkkuu näytössä asetuskohdan LED-näyttö.

Parametrivalikon syöttäminen

1. Avaa ohjauspaneelin lukitus, jos se on lukittu.
2. Paina ASETUS (SET) -painiketta ja pidä sitä alhaalla kunnes 'd l' vilkkuu näytössä.
3. Tarpeen vaatiessa paina ASETUS (SET) -painiketta toistuvasti, jotta pääset siirtymään halutun käyttöparametrin kohdalle (katso lisätietoja käyttöparametreista kohdasta "Parametrien kuvaus").

Käyttöparametrien arvon muuttaminen



Huom.: POLAR -laitteeseen on käyttöparametreille asetettu edeltäkäs oletusarvot, jotka on katsottu sopiviksi normaaleissa käyttöolosuhteissa. POLAR suosittelee, että näitä edeltäkäs asetettuja arvoja käytetään.

Arvoa voidaan (tarvittaessa) muuttaa seuraavasti:

1. Kun haluttu parametri on näytössä, muuta arvoa käyttämällä YLÖS (▲) ja ALAS (▼) -painikkeita.
2. Paina ASETUS (SET) -painiketta arvon tallentamiseksi.



Huom.: Ohjauspaneeli siirtyy automaattisesti seuraavaan käyttöparametriin. Kun halutaan palata valmiustilaan, anna ohjauspaneelin aikakatkaistun toimia.

Parametrien kuvaus


Parametri	Nimi	Kuvaus	Toiminta-alue	Parametrien oletusarvot
d1	Käyttölämpötila	Aseta kylmälaitteen käyttölämpötila	-2°C – 10°C	2°C
d2	Lämpötilaero	Lämpötilaero on sallittu käyttölämpötilan ylittävä tai aliottava lämpötilan ero ennen kuin kompressorin käynnistyy/pysähtyy	0 – 20°C	2°C
d3	Lämpötilan vaihteluväli	Aseta alin (d3) ja korkein (d4) lämpötila, joiden välillä kylmälaitteen lämpötila voi vaihdella	-40°C	0°C
d4			95°C	10°C
d5	Kompressorin käynnistymisen aikavälit	Aikavälit Syötä minimiaikaväli, jonka jälkeen kompressorin käynnistyttyään kytkeytyy pois päältä	0-999 sekuntia	99
d6	Lämpötilaeron ylärajan hälytys	Aseta hälytystoiminto antamaan äänimerkki, jos laitteen sisälämpötila nousee määrätyn astemäärän yli asetetun käyttölämpötilan	0°C-50°C	50
d7	Lämpötilaeron hälytyksen viive	Aseta viive lämpötilaeron hälytyksen laukeamiselle	0-99 minuuttia	0
d8	Sulatusprosessin aika	Aseta aika, joka kuluu kunkin sulatusprosessin välillä	1-99 tuntia	24
d9	Pitkin sulatuksen kesto	Aseta sulatusprosessin pitkin kesto aika Huom.: Sulatuksen kesto voidaan ohittaa parametrilla d10 (alla), jos katkaisulämpötila on saavutettu ennen sulatuksen kestoajan päättymistä	0-999 minuuttia	1
d10	Sulatuksen katkaisulämpötila	Aseta sulatuksen katkaisulämpötila	-45°C – 50°C	Ei oleellinen
d11	Sulatuksen katkaisun lisäaika	Aseta lisäaika, jonka aikana sulatus toimii sen jälkeen kun katkaisulämpötila on saavutettu (tarvittaessa)	0-99 minuuttia	Ei oleellinen
d12	Viivästetty todellisen lämpötilan näyttö	Aseta aika, jonka jälkeen laitteen sisälämpötila (ennen sulatuksen alkamista) tulee näyttöön sulatusprosessin loputtua	0-99 minuuttia	0
d13	Kompressorin päällä/pois päältä sulatuksen aikana	Kytke kompressorin päälle/pois päältä sulatusprosessin aikana	Päällä (I) tai pois päältä (II)	Ei oleellinen
d14	Haihduttimen kuivumisaika	Aseta aika, jolloin kompressorin pysyy pois päältä sulatusprosessin jälkeen, mikä vähentää huurteen syntymistä	0-99 minuuttia	0
=19	Lämpötilan poikkeama	Jos mitatun ja todellisen lämpötilan välillä on eroa, voidaan mitatulle lämpötilalle asettaa poikkeama tämän kompensoimiseksi	-20°C – 20°C	-5°C
=22	Mittayksikkö	Aseta lämpötila näkymään joko Celsius- tai Fahrenheit-asteissa	Celsius-asteita (II) tai Fahrenheit (I)	0
=23	Kompressorin käynti anturin vikaantuu	Aseta se, käykö kompressorin tai pysyykö se poissa päältä, kun lämpötila-anturiin tulee vika	Kompressorin käy (I) On poissa päältä kunnes vika korjataan (II). Käy jaksoittain parametreilla =24 ja =25 (2)	2
=24	Kompressorin 'päällä'-olon kesto	Aseta aika, jolloin kompressorin pysyy päällä lämpötila-anturin vian aikana	1-99 minuuttia	10
=25	Kompressorin 'pois päältä'-olon kesto	Aseta aika, jolloin kompressorin pysyy pois päältä lämpötila-anturin vian aikana	1-99 minuuttia	10
=34	Alkusulatus käynnistymisen jälkeen	Aseta se, aloittaako kylmälaite sulatuksen 10 minuuttia käynnistymisen jälkeen tai parametrilla \$\$\$ ohjelmoidun ajan jälkeen	Alkaa 10 minuuttia käynnistymisen jälkeen (II) tai ohjelmituna aikana (I)	Ei oleellinen
=38	Lämpötilan alarajan hälytys	Aseta näyttö vilkkumaan, jos kylmälaitteen sisälämpötila laskee määrätyn lämpötilan alle ohjelmoidusta käyttölämpötilasta	1°C – 50°C	40°C


Manuaalinen sulatus

Kylmälaitteen automaattinen sulatusjärjestelmä toimii joka kuudes tunti.

 **Huom.: Prosessi alkaa hetkestä, jolloin laite kytketään ensimmäisen kerran päälle.**

Kylmälaite sulatetaan manuaalisesti seuraavasti:

1. Paina SULATUS  -painiketta ja pidä sitä alhaalla 5 sekunnin ajan.
2. Sulatusprosessi alkaa heti ja sulatuksen LED-näyttö syttyy. Sulatus kestää korkeintaan 30 minuuttia.

 **Huom.: Manuaalisen sulatuksen käynnistäminen nollaa myös automaattisen sulatuksen ajastimen. Seuraava automaattinen sulatus toiminto alkaa kuusi tuntia sen jälkeen, kun manuaalinen sulatus on päättynyt.**

3. Jätevettä kerääntyy jätevesiastiaan.

Puhdistus, hoito & huolto

- Katkaise virta ja kytke kylmälaite irti verkkovirrasta ennen puhdistamista.
- Puhdista kylmälaitteen sisäosat niin usein kuin mahdollista.
- Älä käytä hankaavia puhdistusaineita. Niistä voi jäädä haitallisia jäänteitä.
- Puhdista oven tiiviste pelkällä vedellä.
- Kuivaa osat aina pyyhkeellä puhdistamisen jälkeen.
- Älä anna puhdistukseen käytettyä vettä juosta vedenpoistoaukon kautta haihdutusastiaan.
- Ole varovainen kylmälaitteen takaosaa puhdistettaessa. Terävät reunat voivat aiheuttaa haavoja.
- POLAR -edustajan tai pätevän huoltomiehen on tarvittaessa suoritettava korjaustoimenpiteet.

Jäähdyttimen puhdistus

Jäähdyttimen puhdistus säännöllisin väliajoin voi pidentää kylmälaitteen käyttöikä.

POLAR suosittelee, että POLAR -edustaja tai pätevä huoltomies suorittaa jäähdyttimen puhdistuksen.

Vianetsintä

Jos POLAR -kylmälaitteeseen tulee vika, tarkasta seuraava taulukko ennen puhelinpalveluun tai POLAR -edustajalle soittamista.

Vika	Mahdollinen aiheuttaja	Toimenpide
Kylmälaite ei toimi	Kylmälaitetta ei ole kytketty päälle	Tarkista, että laite on liitetty verkkovirtaan oikein ja kytketty päälle
	Pistotulppa ja johto ovat vioittuneet	Soita POLAR -edustajalle tai pätevälle huoltomiehelle
	Pistotulpassa oleva sulake on palanut	Vaihda sulake uuteen
	Virransyöttö	Tarkasta virransyöttö
	Sisäinen johdotusvika	Soita POLAR -edustajalle tai pätevälle huoltomiehelle
Kylmälaite kytkeytyy päälle, mutta lämpötila on liian korkea/matala	Haihduttimessa on liian paljon jäätä	Sulata laite
	Pöly on tukkinut jäähdyttimen	Soita POLAR -edustajalle tai pätevälle huoltomiehelle
	Ovia ei ole suljettu kunnolla	Tarkasta, että ovet on suljettu eivätkä tiivisteet ole vaurioituneet
	Kylmälaite sijaitsee lähellä lämmönlähdettä tai jäähdyttimeen ei pääse virtaamaan ilmaa	Siirrä jääkaappi sopivampaan paikkaan
	Huoneenlämpötila on liian korkea	Lisää tuuletusta tai siirrä kylmälaite viileämpään paikkaan
	Kylmälaitteessa säilytetään epätarkoituksenmukaisia ruokatavaroita	Ota ulos liian kuumat ruokatavarat tai poista tuuletinta tukkiva tavara
	Kylmälaite on ylikuormitettu	Vähennä laitteessa säilytettävien ruokatavaroiden määrää
Kylmälaiteesta vuotaa vettä	Kylmälaitetta ei ole asetettu kunnolla vaakatasoon	Säädä ruuvattavia jalkoja, jotta laite saataisiin vaakatasoon (mikäli oleellista)
	Poistoaukko on tukossa	Puhdista poistoaukko
	Jokin rajoittaa veden liikkumista poistokouruun	Tyhjennä kaapin pohja (mikäli oleellista)
	Vesiastia on vaurioitunut	Soita POLAR -edustajalle tai pätevälle huoltomiehelle
	Valutusastia valuu yli	Tyhjennä valutusastia (mikäli oleellista)
Kylmälaite on epätavallisen äänekäs	Suojanauhaa ei ole poistettu	Poista suojanauha
	Löysä mutteri/ruuvi	Tarkista kaikki mutterit ja ruuvit ja kiristä ne
	Laitetta ei ole asennettu vaakasuoralle tai tasaiselle paikalle	Tarkista asennusasento ja vaihda sitä tarpeen vaatiessa

Virheilmoitukset

Seuraavassa taulukossa esitetään tiedot virheen aiheuttajista ja kylmälaitteen virheen jälkeisestä vasteesta.

Virhe-ilmoitus (viikkuva)	Aiheuttaja	Kylmälaitteen vaste	Toimenpide
HLR	Sisälämpötila ylittää asetetun lämpötilan ylärajan	Näyttö vilkkuu Vuorotteleva virheilmoitus ja vallitseva lämpötila	Tarkista vianetsintäopas Jos ongelma ei häviä, soita POLAR -edustajalle tai pätevälle huoltomiehelle
LLR	Sisälämpötila ylittää asetetun lämpötilan alarajan	Näyttö vilkkuu Vuorotteleva virheilmoitus ja vallitseva lämpötila	Tarkista vianetsintäopas Jos ongelma ei häviä, soita POLAR -edustajalle tai pätevälle huoltomiehelle
PF1	Lyhytsulku tai häiriö termostaatin anturin syöttölinjassa	Näyttö vilkkuu	Kompressori toimii parametrin 'E3' määrittämällä tavalla
PF2	Lyhytsulku tai häiriö haihduttimen anturin syöttölinjassa	Näyttö vilkkuu	Sulata parametrien dB ja d9 määrittämällä tavalla
HLR	Sisälämpötila korkeampi kuin 90°C	Näyttö vilkkuu	Soita POLAR -edustajalle tai pätevälle huoltomiehelle
LLR	Sisälämpötila alempi kuin -45°C	Näyttö vilkkuu	Soita POLAR -edustajalle tai pätevälle huoltomiehelle

Hälytysviesti päättyy, kun hälytyksen laukaisija on hävinnyt, paitsi PF1:n ja PF2:n kohdalla, jolloin kylmälaite on kytkettävä pois päältä ja sen jälkeen takaisin päälle.

Tekniset tiedot

Malli	Jännite	Teho	Virta	Lämpötilan vaihteluväli	Tilavuus (litraa)	Jäähdytysaine	Mitat k x l x s mm	Paino (kg)
G608	230V 50Hz	150W	1A	2°C — 10°C	5 x Gastranorm ¼ säiliö	R134a 120g	435 x 1200 x 330	25
G609	230V 50Hz	150W	1A	2°C — 10°C	7 x Gastranorm ¼ säiliö	R134a 130g	430 x 1500 x 330	29
G610	230V 50Hz	150W	1A	2°C — 10°C	9 x Gastranorm ¼ säiliö	R134a 155g	430 x 1800 x 330	32
G611	230V 50Hz	230W	1,6A	2°C — 10°C	10 x Gastranorm ¼ säiliö	R134a 155g	430 x 2000 x 330	34

Sähköjohdot

Pistotulppa on liitettävä sopivaan verkkovirtapistokkeeseen.

Laitteen johdot liitetään seuraavasti:

- Jännitteellinen johto (väriltään ruskea) napaan, jossa on merkintä L
- Neutraali johto (väriltään sininen) napaan, jossa on merkintä N
- Maadoitusjohto (väriltään vihreä/keltainen) napaan, jossa on merkintä E

Tämä laite on maadoitettava käyttämällä tarkoitukseen varattua maadoituspiiriä.

Jos et ole varma asiasta, kysy neuvoa pätevältä sähkömieheltä.

Sähkövirran eristyspisteet on pidettävä vapaina kaikista esteistä. Mikäli laite joudutaan hätätapauksessa kytkemään verkkovirrasta, on niihin päästävä helposti.

Hävitys

EU-vaatimusten mukaan kylmälaitteet saa hävittää tehtävään erikoistuneet yritykset, jotka voivat poistaa ja kierrättää kaikki kaasut sekä metalli- ja muoviosat.

Kysy neuvoa paikalliselta jätehuoltoviranomaiselta laitteen hävittämisestä. Paikallisilla viranomaisilla ei ole velvollisuutta hävittää kaupallisia kylmälaitteita, mutta he saattavat pystyä antamaan neuvoja siitä, miten laite voidaan hävittää paikallisesti.

Vaihtoehtoisesti voit soittaa POLAR -puhelinpalveluun saadaksesi tietoja jätteitä käsittelevistä yrityksistä EU:ssa.

Vaatimustenmukaisuus

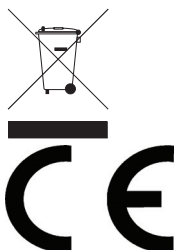
Tässä tuotteessa tai sen asiakirjoissa oleva WEEE -logo osoittaa, että tuotetta ei saa hävittää tavallisen talousjätteen mukana. Jotta vältyttäisiin ihmisen terveydelle ja/tai ympäristölle koituvilta mahdollisilta haitoilta, tuote on hävitettävä hyväksytyllä ja ympäristön kannalta turvallisella kierrätysprosessilla. Lisätietoja tämän tuotteen oikeasta hävittämisestä voidaan saada ottamalla yhteyttä tuotteen toimittajaan tai paikalliseen viranomaiseen, joka on vastuussa jätteiden hävityksestä alueellasi.

POLAR-osat ovat käyneet läpi tarkan tuotetestauksen, jotta ne noudattaisivat kansainvälisten, itsenäisten ja valtiollisten viranomaisten asettamia säädöksiä ja vaatimuksia.

POLAR-tuotteet on hyväksytty merkittäviksi seuraavilla merkinnöillä:

Kaikki oikeudet pidätetään. Mitään näiden ohjeiden osaa ei saa jäljentää tai lähettää missään muodossa tai millään tavalla, elektronisesti, mekaanisesti, valokopioimalla, nauhoittamalla tai jollain muulla tavalla ilman, että POLAR on antanut etukäteisen luvan.

Kaikki mahdollinen on tehty sen hyväksi, että annetut tiedot olisivat aina painatushankkeella oikeita, mutta POLAR varaa itselleen oikeuden muuttaa tietoja siitä erikseen ilmoittamatta.



DECLARATION OF CONFORMITY

- Conformiteitsverklaring • Déclaration de conformité • Konformitätserklärung • Dichiarazione di conformità •
- Declaración de conformidad • Declaração de conformidade • Överensstämelseförsäkran •
- Overensstemmelseserklæring • Konformitetserklæring • Selvitys vaatimustenmukaisuudesta •

Equipment Type • Uitrustingstype • Type d'équipement • Gerätetyp •
Tipo di apparecchiatura • Tipo de equipo • Tipo de equipamento •
Enhetstyp • Udstyrstyp • Type utstyr • Laitteen tyyppi:

Stainless Steel Counter Top Servery/Prep
Refrigerators

Model • Modèle • Modell • Modello • Modelo • Malli:

G608/G609/G610/G611

Serial Number • Serienummer • Numéro de série • Seriennummer •
Numero di serie • Número de serie • Número serial • Sarjanumero:

Year of Manufacture • Fabricagejaar • Date de fabrication • Herstellungsjahr •
Anno di produzione • Año de fabricación • Ano de fabricação • Tillverkningsår •
Produktionsår • Produktionsår • Valmistusvuosi:

Application of Council Directives(s)

Toepassing van Europese Richtlijn(en) • Application de la/des directive(s) du Conseil •
Anwendbare EU-Richtlinie(n) • Applicazione delle Direttive •
Aplicación de la(s) directiva(s) del consejo • Aplicação de directiva(s) do Conselho •
Tillämpning av rådets direktiv • Gennemførelse af Rådets Direktiv(er) af •
Applisering av kommuneforskrift(er) • Neuvoston direktiivi(e)n soveltaminen:

EMC Directive 2004/108/EEC
Low Voltage Directive 2006/95/EEC

Standards

Standaarden • Normes • Normen • Standard • Estándares • Normas •
Normer • Standarder • Standardit:

EN55014-1 : 2000+A1 : 2001
EN55014-2 : 1997 : +A1 : 2001
EN61000-3-2 : 2000
EN61000-3-3 : 1995+A1 : 2001
EN60335-1 : 2002
EN 60335-2-24 : 2002
EN 60204-1 : 2000

Producer Name • Naam fabrikant • Nom du producteur • Name des Herstellers •
Nome del produttore • Nombre del fabricante • Nome do fabricante •
Tillverkarens namn • Fabrikantens navn • Produsentens navn • Valmistajan nimi:

POLAR

Producer Address • Adres fabrikant • Adresse du producteur •
Anschrift des Herstellers • Indirizzo del produttore • Dirección del fabricante •
Endereço do fabricante • Tillverkarens adress • Fabrikantens adresse •
Produsentens adresse • Valmistajan osoite:

Fourth Way,
Avonmouth,
Bristol,
BS11 8TB
United Kingdom

I, the undersigned, hereby declare that the equipment specified above conforms to the above Directive(s) and Standard(s).

Ik, de ondergetekende, verklaar hierbij dat de hierboven gespecificeerde uitrusting goedgekeurd is volgens de bovenstaande Richtlijn(en) en Standaard(en).
Je soussigné, confirme la conformité de l'équipement cité dans la présente à la / aux Directive(s) et Norme(s) ci-dessus
Ich, der/die Unterzeichnende, erkläre hiermit, dass das oben angegebene Gerät der/den oben angeführten Richtlinie(n) und Norm(en) entspricht.
Il sottoscritto dichiara che l'apparecchiatura di sopra specificata è conforme alle Direttive e agli Standard sopra riportati.
El abajo firmante declara por la presente que el equipo arriba especificado está en conformidad con la(s) directiva(s) y estándar(es) arriba mencionadas.
Eu, o abaixo-assinado, declaro que o equipamento anteriormente especificado está em conformidade com a(s) anterior(es) Directiva(s) e Norma(s).
Jag, den undertecknande, betygar härmed att ovan specificerade enhet överensstämmer med ovan direktiv och norm(er).
Jeg, undertegnede, erklærer hermed at udstyret, der er specificeret ovenfor opfylder de ovenstående direktive(r) og standard(er).
Jeg, undertegnede, erklærer herved at utstyret som er spesifisert ovenfor er i overensstemmelse med ovennevnte forskrift(er) og standard(er).
Minä allekirjoittanut vakuutan täten, että yllä mainittu laite noudattaa yllä olevaa(olevia) direktiiviä(direktiivejä) ja standardia(standardeja).

Date • Data • Date • Datum • Data • Fecha • Data • Dato • Päivämäärä:

31/01/2007

Signature • Handtekening • Signature • Unterschrift
Firma • Firma • Assinatura • Underskrift • Allekirjoitus:

Full Name • Volledige naam • Nom et prénom • Vollständiger Name •
Nome completo • Nombre completo • Nome por extenso •
Fullständigt namn • Fulde navn • Fullstendig navn • Täydellinen nimi:

Richard Cromwell

Position • Functie • Fonction • Position • Qualifica • Posición • Função •
Befattning • Stilling • Asema:

Marketing Director

- **Notes** • **Remarques** • **Notas** • **Opmerkingen** • **Anmerkungen** • **Notas** •
 - **Note** • **Noteringar** • **Merknader** • **Bemærkninger** • **Huomautukset** •
-

• Notes • Remarques • Notas • Opmerkingen • Anmerkungen • Notas •
• Note • Noteringar • Merknader • Bemærkninger • Huomautukset •

• Notes • Remarques • Notas • Opmerkingen • Anmerkungen • Notas •
• Note • Noteringar • Merknader • Bemærkninger • Huomautukset •

