



WAREWASHING  
DISHWASHERS

care



THE HOBART LINE

care

The dishwasher  
designed specifically for  
use in care facilities.

# HOBART

YOU NEED TO HAVE  
A VISION TO OFFER  
THE OPTIMUM  
SOLUTION!

## HOBART HAS A VISION: WASH WITHOUT WATER.

Our dishwashers are coming increasingly close to this vision. For us, innovation goes beyond technological improvements: It is our aim to think differently and to see innovation as enrichment. All this in pursuit of one goal: offering you the best professional dishwasher for the assisted-living area of **care** facilities.

Warewashing in the **care** sector is subject to special requirements. So why would you be content to use a household dishwasher?



## HOBART care. The name says it all - and defines our obligation.

When developing the new dishwasher, our experts carefully observed people working in the **care** sector, so they know what is really needed there.

The new dishwasher generation has both: the know-how of the global market leader for commercial warewashing, and the knowledge of the specific demands that nursing and housekeeping staff of **care** facilities and also residents in assisted-living areas make on a dishwasher.

**We take care!**



## THE NEW HOBART LINE

# care

The dishwasher designed specifically for use in care facilities.

### HOBART CARE: THE PROFESSIONAL AMONG DISHWASHERS

HOBART has been developing dishwashers for more than 100 years – unparalleled by any other manufacturer. The experience which makes us so successful has also been implemented in the new HOBART **care**.

The result: **Hygienic cleanliness at a dishwashing temperature of 85 °C** – in five minutes flat. There is no faster dishwasher. And if necessary, the wash ware can be **thermally disinfected** with 100 °C steam.

The programme includes automatic drying of the wash ware. No manual drying is required.

As easy to operate as a household dishwasher, the HOBART **care** offers the benefits of a professional HOBART dishwasher:

- Short washing times
- High-quality finish
- Sturdy design
- Very easy to operate
- Consumption of water, energy and detergents reduced by half
- Integrated drying manager



**Economical and intelligent.**  
The dishwasher that gives the staff a little more time for patients and residents.

# HOBART

## MAY WE PRESENT THE FASTEST DISHWASHER FOR ASSISTED-LIVING AREAS



In residential groups, household and semi-professional dishwashers are in constant use. Breakfast, lunch, and dinner dishes accumulate, with the cups and plates from the coffee break stacked in between.

The HOBART **care** puts an end to the mountain of dirty dishes: In only 5 minutes, it washes more crockery than most household dishwashers in 60 minutes – and can go through more than 80 racks per day if required.

**You don't want to wait –  
you want hygienically clean wash ware now.**

Whether you want to wash plates, cutlery, glasses or coffee cups: In terms of speed, versatility and power, your new **care** dishwasher tops the all machines you've used before.



## QUALITY YOU'LL FEEL AND EXPERIENCE

A service technician who arrives on site fast is good. But it is even better if you don't need to call him in at all.

**Reliability** is the key to smooth working processes. The provision of reliable equipment is our claim. For this reason, the HOBART **care** uses only proven professional technology which is reliably able to cope with maximum loads –

such as our powerful heating elements and pumps designed for daily heavy-duty work in the catering and hotel trade.

We don't talk much about  
quality made in Germany.  
We just make it.

You can feel it immediately:  
smooth surfaces, no sharp edges.

You can feel it when opening the dishwasher door:  
It operates smoothly just like the drawers in your kitchen cabinets. The integrated soft-close gas pressure dampers gently cushion the door action.



## PROFESSIONAL DISHWASHER FOR ASSISTED-LIVING AREAS





# PREMIUM HYGIENE



## NO COMPROMISE – AND CERTAINLY NOT IN TERMS OF HYGIENE

A communal kitchen in assisted-living areas promotes communication and cooperation. But hygiene plays an especially important role here. You should not accept any compromises when it comes to hygiene.



### The temperature is the decisive factor.

To reliably give you perfectly hygienic wash results, we use much higher temperatures here than in a household dishwasher:

- Washing at 65 °C
- Rinsing with 85 °C hot fresh water
- Thermal disinfection with 100 °C steam

The HOBART **care** dishwasher can do this. Household and semi-professional dishwashers can't.

### HYGIENE AS A COHERENT CONCEPT

Hygiene is more than just steam. For the HOBART **care**, we developed a unique hygiene concept:

- Thermal disinfection ( $A_0$  value of 60)
- The interlocked strainer prevents the entry of dirt into the tank
- Hygiene programme with tab for self-cleaning
- Integrated data documentation pursuant to DIN SPEC 10534
- Easy to clean stainless steel surfaces with flush mounted corners



Hygiene is of  
premium importance.



## THERMAL DISINFECTION:

To ensure that the wash ware is hygienically clean, we comply the most demanding requirements, the HOBART **care** cleans with an  $A_0$  value of 60.

How do we do this? By means of 100 °C pressureless steam, a patented technology, and a particularly long holding time. With the **care** line, you can thermally disinfect 2 racks of wash ware in only 12 minutes.

## YOUR DISHWASHER KEEPS A DATA RECORD FOR YOU

Regarding data for **HACCP**. Compliance with **DIN 10534** can be time consuming – but the **care** machine does this for you automatically.

The data is downloaded via **USB interface** – and that's it. We look after the documentation so that you have more time for patients and residents.

## HAVE FULL TRUST IN YOUR NEW DISHWASHER

To make sure that strainers and filters are always in place and in their correct position, the control monitors the placement of these components. A display message gives the user the respective information.

The strainer prevents the entry of dirt into the wash water and guarantees a perfectly hygienic wash result.



Only our professional dishwasher  
can do this.



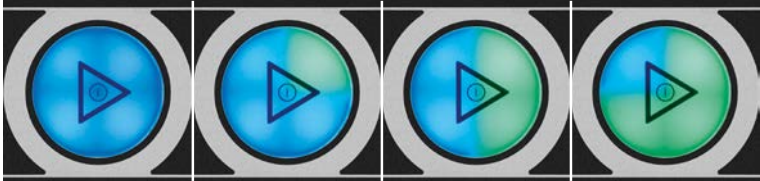
You need to press  
one button only to start it up.

### AT THE PUSH OF A BUTTON

Residents, nursing and housekeeping staff: Many different people use the dishwasher in the assisted-living area. So the operation must be easy for everybody.

With the VISIOTRONIC control, the operation of the HOBART **care** is particularly easy and intuitive. The display shows only the really important information in the form of texts and icons – and only when the user approaches the machine.

The characteristic STARTER of the HOBART **care** is always highly visible. The remaining time indicator shows the progress of the wash programme by means of a colour bar.





## SAFE DETERGENT DOSING – WITH THE PERFORMANCE OF A PROFESSIONAL MACHINE!

Use the dosing type best suited to your needs:

- commercial detergent tabs, or
- liquid cleaner, either
  - \* in integrated tanks, or
  - \* in external cans



Who is responsible for the kitchen, is there a safe storage place for the detergent, what is the space available? You know best which is the optimum dosing solution for your kitchen. No matter which HYLINE detergent system you'll opt for: the HOBART **care** will give you sparkling surfaces and hygienically clean wash results.

For use in assisted-living areas, we developed a special recipe: **odourless, non-chlorine**, but **highly efficient** in removing stubborn coffee and tea residues.

### HOBART detergent products: HYLINE Hygienically clean and odourless

The integrated detergent tank is the best solution when safe storage and dosing and easy refilling is of special importance for you.

**The best thing about it:** One single litre of HYLINE detergent is enough to wash up to 110 machine loads.

The **integrated containers** for the liquid detergent are hidden invisibly behind the front cover.



But if your dishwasher will be in heavy use all day long and if your kitchen has room enough for a large separate container, we have the proper solution for this situation as well.

## EASY & SAFE OPERATION





# THE OPTIMISATION OF YOUR OPERATING COSTS COMES AUTOMATICALLY WITH THE CLEVER DESIGN

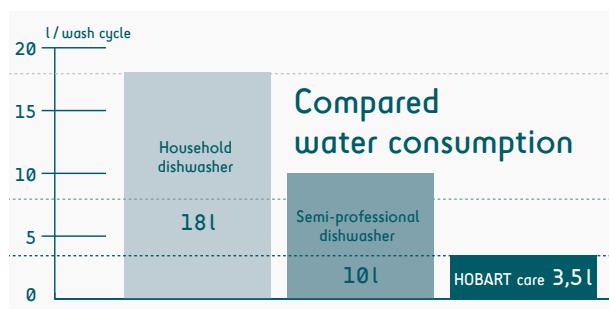
## THIS INVESTMENT WILL PAY OFF

Care facilities live on a tight budget. So it's good that the HOBART **care** will automatically optimise your operating costs.

From the first day, save half the costs for energy, detergent and water, compared to a comparable semi-professional dishwasher. We achieve this benefit by using professional technology for washing and drying.

A state-of-the-art household dishwasher, for example, uses up to 18 litres of water for one wash cycle, semi-professional machines use 10 litres, and the HOBART **care** makes do with 3.5 litres.

**This pays off for you.**



## PATENTED SAVING

**Hygienically clean wash result in spite of reduced water consumption?**

**This is not a contradiction!**

With its strainer insert, the patented GENIUS-X2 fine filter system not only protects the wash pumps from damage due to broken glass or china but also permanently filters the water during the washing process. The dirt particles are pumped off and removed from the machine already during the washing process.

For this reason, you do not need to replace the entire wash water each time the HOBART **care** has completed a wash cycle. This not only reduces the consumption of water but primarily of detergent and electricity for heating.

If required, the water exchange programme can be selected at the push of a button.



## WASH WITHOUT WATER? WE'RE ALMOST THERE!

**For the rinsing process, the HOBART care has come close to realising this vision.**

By using steam for rinsing, the amount of water consumed in a wash cycle is just a fraction of that required by household machines. Lower water consumption – with good wash result guaranteed.



## FACTS & FIGURES FOR THE CARE MODEL

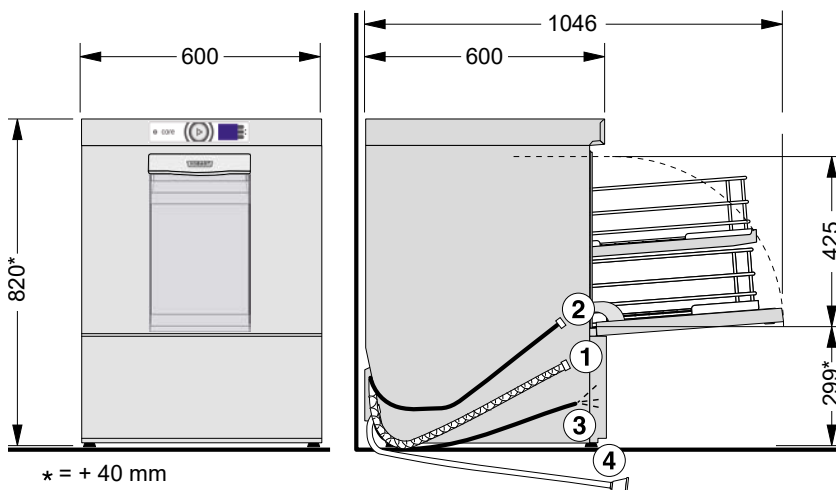
WASH PROGRAMMES	Short	Standard	Thermal disinfection
<b>DURATION</b>	05:00 min	12:00 min	12:00 min
<b>WATER CONSUMPTION</b>	3.5 litres	16.0 litres	3.5 litres
<b>WASH SYSTEM</b>	Fresh water	Water change	Fresh water
<b>NUMBER OF RACKS</b>	2	2	2
<b>SOILING</b>	normal	heavy	normal

TECHNICAL SPECIFICATIONS	care-10A
<b>DIMENSIONS</b> (height/width/depth)	820/600/600 mm
<b>RACK CAPACITY</b>	24 racks/h
<b>CYCLE TIMES</b> in min.**	5/12/12*
<b>WATER CONSUMPTION</b> per cycle	3.5/16/3.5*
<b>SOFTENER</b>	integrated, to max. 30°dH
<b>WASH PUMP</b>	0.6 kW (350 l/min)
<b>TANK HEATING</b>	0.8 kW
<b>BOOSTER LOADING</b>	400V: 6.2 kW 230V: 2.1 kW
<b>TOTAL LOADING</b>	400V: 7.7 kW   3 x 16 A 230V: 3.6 kW   16 A
<b>TANK CAPACITY</b>	10.6 l
<b>VOLTAGE</b>	400/50/3N (230/50/1)
<b>RACK SIZE</b>	500 x 500 mm
<b>LOADING HEIGHT</b>	425 mm
<b>WEIGHT WITH / WITHOUT PACKAGING</b>	70/60 kg
<b>WORKPLACE-RELATED EMISSION VALUE</b>	57.7 dB (A)

\* Thermal disinfection programme

\*\* The machine is equipped with an automatic cycle-time control which ensures hygienic rinse temperatures even on a cold-water supply or with reduced heating performance.

## DRAWING



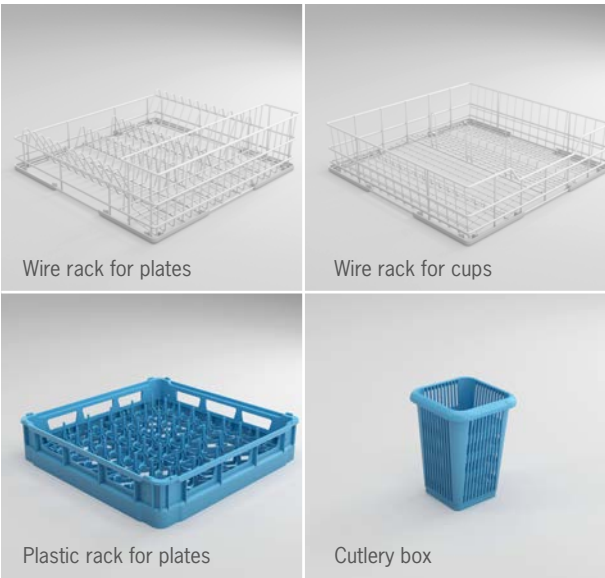
### CONNECTIONS

① drain hose	2,000 mm   ID20/AD25
② water supply hose	2,000 mm   R3/4"
Flow pressure	0.8 – 10 bar
Max. supply temperature	60°C
Water throughput required	5 l/min
③ connection cable	2,000 mm
Suction hose for liquid detergent <sup>a)</sup>	2,500 mm

<sup>a)</sup> for machines with external containers

## ACCESSORIES

- Installation kit** for integrated **chemical containers**
- Vapour seal**, installation kit for protection of wooden cabinets
- Liquid detergent**, 9.6 litre container (minimum order volume 4 containers)
- Hygiene tab INTENSIVE**, 1 box of 15 tabs, for use in combination with the hygiene programme (minimum order volume 2 boxes)
- Installation kit chemical container** incl. refill signal for detergent – net



Hygiene tabs



Liquid detergent

## FEATURES

	care-10A
<b>HIGH LEVEL OF ECONOMY</b>	
2IN1 double rack system	●
GENIUS-X <sup>2</sup> fine filter system	●
Integrated rinse pump	●
<b>BEST WASH RESULTS</b>	
PERFECT integrated drying manager	●
Water exchange function	●
Interlocked strainer	●
<b>EASY TO OPERATE</b>	
VISIOTRONIC Control	●
Remaining Time Indicator	●
VAPOSTOP for avoiding the exit of steam	●
Hygiene programme for machine cleaning	●
CLIP-IN wash and rinse arms	●
Integrated water softener	●
SOFT-START wash pump	●
Integrated storage tanks for detergent	○
Refill signal for liquid detergent	●
USB interface for automatic data documentation	●
<b>RELIABILITY &amp; FLEXIBILITY</b>	
Smooth counterbalanced door	●
Drain pump	●
Multi Phasing (230/400 V)	●
Quality made in Germany	●

● Inclusive      ○ Optional



## THE COMPANY

HOBART is the world market leader for commercial warewashing technology and well-known manufacturer of cooking, food preparation, and environmental technology. Founded 1897 in Troy, Ohio, HOBART today has a global workforce of more than 6,900. At our manufacturing plant in Offenburg, Germany, HOBART develops, produces, and distributes warewashing technology worldwide. All over the world, the hotel and catering trade, cafeterias, bakeries and butcher shops, supermarkets, airlines, cruise ships, automotive suppliers, research centres and pharmaceutical companies swear by our innovative products, which are considered to be economical and ecological market leaders.



Whenever the first machine will be capable of washing without water – it will be a HOBART.

## OUR FOCUS

### INNOVATE - ECONOMICAL - ECOLOGICAL

Every year, HOBART applies for a many patents. This makes us the exception in our industry. However, innovation means more to us than a number of patents. Being innovative means that we can make work easier for you and help you save costs and resources. We offer you added value. This is not only our own opinion but also that of many happy customers, evidenced by various prizes we are awarded every year. Economic efficiency means that we as innovation leader set standards for operating costs and resource consumption. This helps you and our environment. Sustainability means that we act responsibly when consuming resources. This is true not only for the operation of our products but also for the entire company, from sourcing over production up to logistics. At our Offenburg site, for example, we are only using green electricity. At HOBART's, sustainability has a name: CO2NSEQUENT.



We make this quality promise to our customers,  
and it represents our personal standard that is upheld  
by all staff at HOBART.

## **OUR VISION: WASH WITHOUT WATER**

Optimum wash results with lowest possible operating costs. A contradiction? No: Geared to these requirements, we use them as a basis for our vision of “washing without water”. This vision is what drives us – every single day. It is what makes us think differently and take unconventional paths to reduce the consumption of water, energy and detergent even further. More than 300 engineers in the research and development departments worldwide and in our Warewashing Innovation Centre in Offenburg are working to make this vision come true. Using innovation and a consistent orientation to our customers’ requirements have brought us a lot closer to reaching our goal. We are certain: The first dishwasher that washes without water will be a HOBART.

## **HOBART COMPETENT - FAST - RELIABLE**

HOBART service technicians as well as HOBART service partners are the “real” experts. Thanks to intensive training and many years of experience, they have a unique and profound knowledge of the products. This means that maintenance and repair work is therefore always carried out professionally, fast and reliably.



# **HOBART**