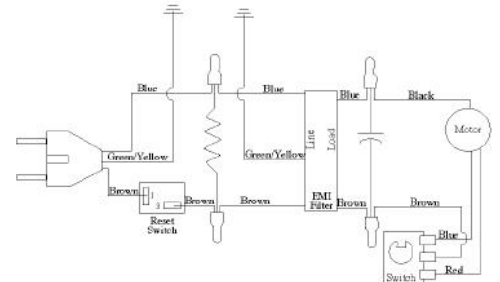
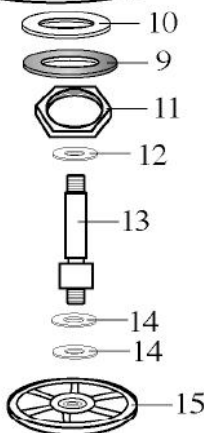
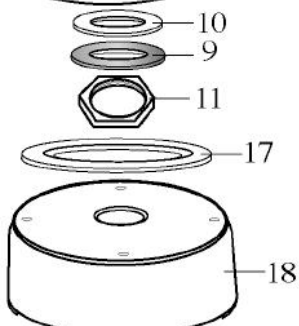


Wiring Diagram for Plastic Top Housing



Wiring Diagram for Metal Top Housing



**500625**  
Blending Assy.

**502370**  
Blending Assy.

**500835**  
64 oz. S.S. Container with  
Blending Assy.

**701402**  
64 oz. S.S. Container with  
Blending Assy. & Lid

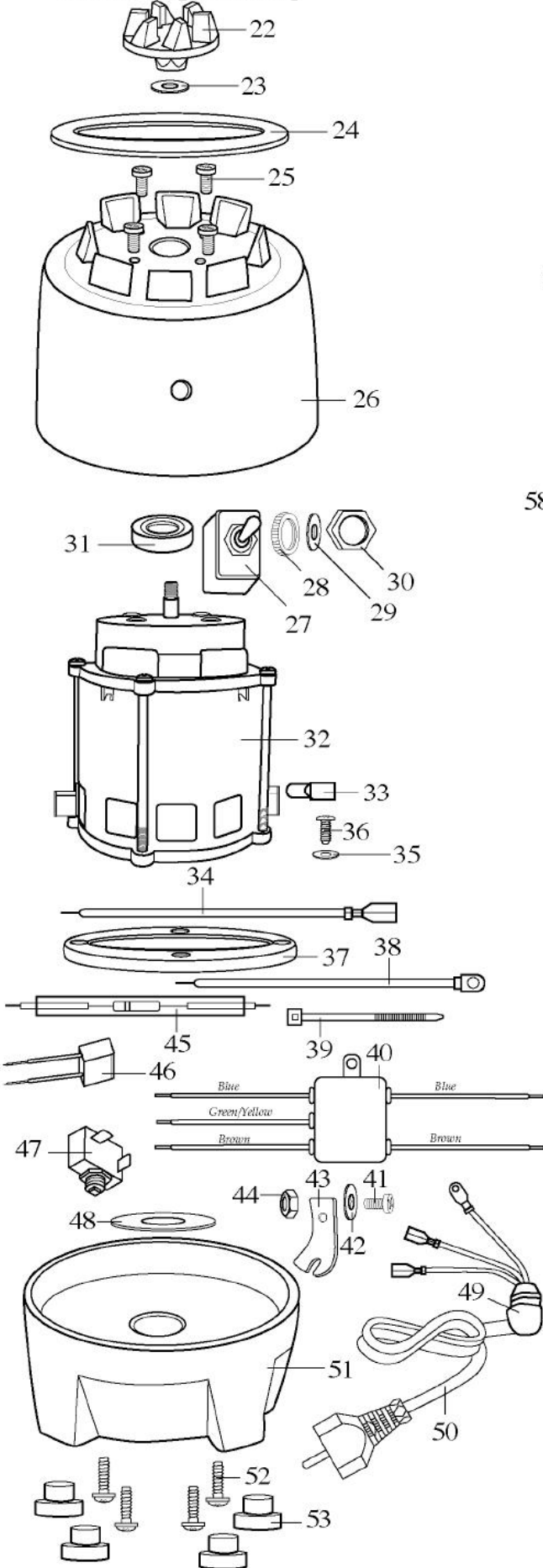
**501529**  
64 oz. Lexan Container with  
Blending Assy.



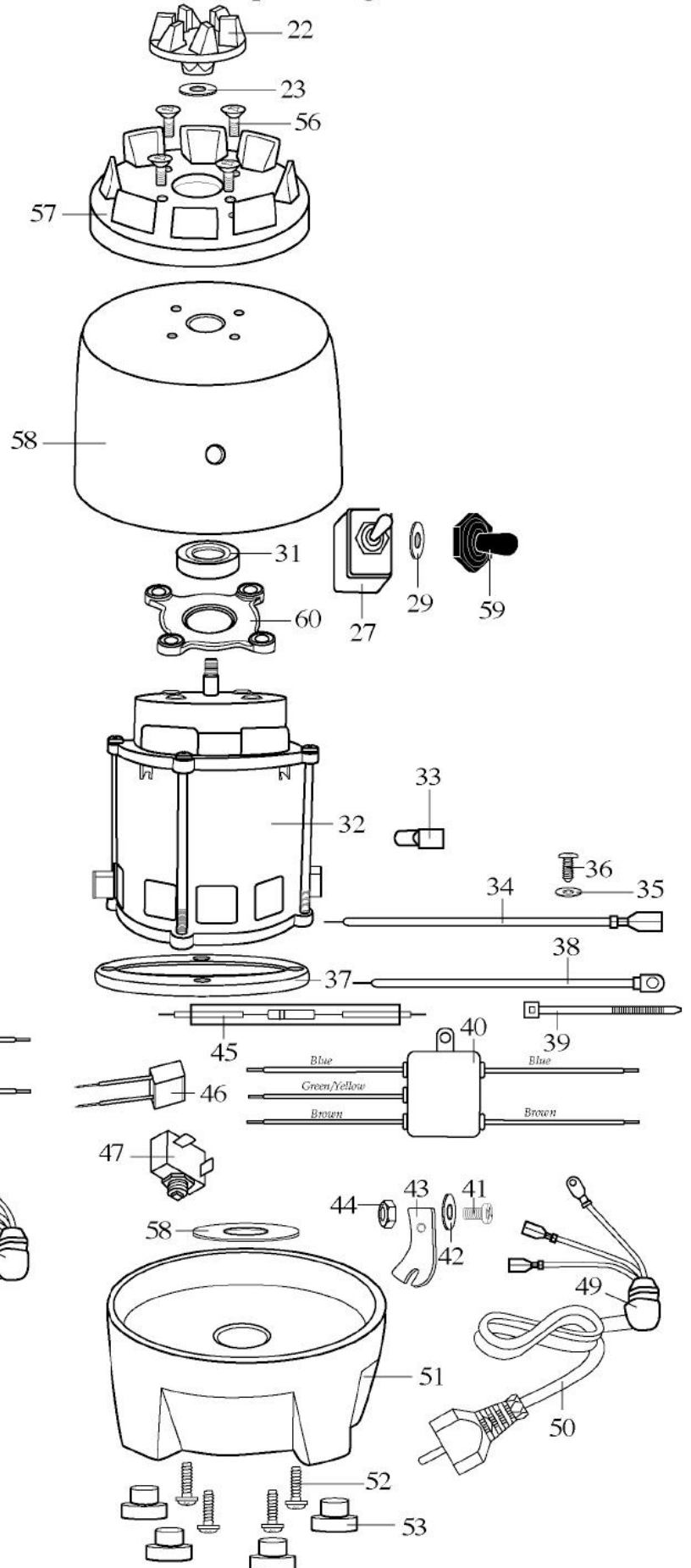
**026948** (current production)

**015394** (older models)

### Plastic Top Housing



### Stainless Steel Top Housing



Machine	Machine Waring Code	Exploded No.	Nisbets Code	Description	Stocked
F134	HGB25E	1	K625	Centre Lid	✓
F134	HGB25E	2	K583	Outer Lid	✓
F134	HGB25E	3	WA031	Cap Nut	✓
F134	HGB25E	3a	n/a	Cap Nut	n/a
F134	HGB25E	4	N910	Blade	✓
F134	HGB25E	5	WA088	Bearing Cap	✓
F134	HGB25E	6	WA009	Wahser	✓
F134	HGB25E	7	n/a	Bearing Holder	n/a
F134	HGB25E	8	WA068	Washer	✓
F134	HGB25E	9	WA039	Washer	✓
F134	HGB25E	10	WA034	Washer	✓
F134	HGB25E	11	WA071	Hex Nut	✓
F134	HGB25E	12	WA037	Washer	✓
F134	HGB25E	13	n/a	Drive Shaft	n/a
F134	HGB25E	14	WA032	Washer	✓
F134	HGB25E	15	WA111	Wheel Coupling	✓
F134	HGB25E	16	n/a	Jar 64oz ST/ST	n/a
F134	HGB25E	17	WA125	Washer	✓
F134	HGB25E	18	WA124	Container Base	✓
F134	HGB25E	19	n/a	Outer Lid	n/a
F134	HGB25E	20	n/a	Jar 64 oz Laxan	n/a
F134	HGB25E	21	n/a	NSF Seal	n/a
F134	HGB25E	22	K611	Coupling	✓
F134	HGB25E	23	n/a	Cap Washer	n/a
F134	HGB25E	23	WA032	Washer	✓
F134	HGB25E	24	WA210	Cushion Ring	✓
F134	HGB25E	25	n/a	Screw	n/a
F134	HGB25E	25	WA061	Screw	✓
F134	HGB25E	26	WA150	Top Housing	✓
F134	HGB25E	27	WA331	Switch Toggle (Current)	✓
F134	HGB25E	27	WA078	Switch Toggle (Older)	✓
F134	HGB25E	28	WA116	Locking Ring	✓
F134	HGB25E	29	WA117	Washer	✓
F134	HGB25E	30	WA164	Hex Nut	✓
F134	HGB25E	31	n/a	Housing Seal	n/a
F134	HGB25E	31	n/a	Housing Seal	n/a
F134	HGB25E	32	WA330	ECM Motor	✓
F134	HGB25E	33	n/a	Crimp Connector	n/a
F134	HGB25E	34	n/a	Lead Brown	n/a
F134	HGB25E	34	n/a	Lead with Diode	n/a
F134	HGB25E	35	WA010	Washer	n/a
F134	HGB25E	36	WA002	Screw	✓
F134	HGB25E	37	n/a	Foam Baffle	n/a
F134	HGB25E	37	n/a	Baffle	n/a
F134	HGB25E	38	n/a	Lead Assembly	n/a
F134	HGB25E	39	WA105	Cable Tie	✓
F134	HGB25E	40	WA403	EMI Filter	✓
F134	HGB25E	40	WA389	EMI Filer (Older)	✓
F134	HGB25E	41	n/a	Screw	n/a
F134	HGB25E	42	n/a	Washer	n/a
F134	HGB25E	43	n/a	Filter Bracket	n/a
F134	HGB25E	44	n/a	Hex Nut	n/a
F134	HGB25E	44	WA076	Kep Nut	✓
F134	HGB25E	45	WA404	Resistor Assembly	✓
F134	HGB25E	46	n/a	Capacitor & Lead Assembly	n/a
F134	HGB25E	47	WA324	Reset Switch	✓
F134	HGB25E	47	WA256	Overload Protector	✓
F134	HGB25E	48	WA064	Gasket	✓
F134	HGB25E	49	WA262	Strian Relief	✓
F134	HGB25E	50	WA388	Cord Set	✓
F134	HGB25E	51	WA325	Bottom Housing (Current)	✓
F134	HGB25E	51	WA261	Bottom Housing (Older)	✓
F134	HGB25E	52	n/a	Screw	n/a
F134	HGB25E	52	WA181	Sems	✓
F134	HGB25E	53	WA050	Foot	✓
F134	HGB25E	54	n/a	Screw	n/a
F134	HGB25E	54	n/a	Screw	n/a
F134	HGB25E	55	n/a	Jar Support	n/a
F134	HGB25E	55	WA066	Jar Support (Older)	✓
F134	HGB25E	56	n/a	Top Housing	n/a
F134	HGB25E	57	WA079	Switch Seal	✓
F134	HGB25E	58	n/a	Motor Spacer Plate	n/a
F134	HGB25E	58	n/a	Spacer	n/a
F134	HGB25E	n/a	WA259	Threaded Rod	✓
F134	HGB25E	n/a	WA260	Hex Spacer	✓
F134	HGB25E	n/a	WA042	Top End Bell	✓
F134	HGB25E	n/a	WA060	Screw	✓
F134	HGB25E	n/a	WA361	Field	✓
F134	HGB25E	n/a	WA076	Kep Nut	✓
F134	HGB25E	n/a	WA043	Bush & Spring	✓
F134	HGB25E	n/a	WA366	Armature	✓
F134	HGB25E	n/a	WA037	Washer	✓
F134	HGB25E	n/a	WA087	Bottom End Bell	✓
F134	HGB25E	n/a	WA440	Clutch Repair Kit	✓