



OPEN FRONT MERCHANDISER

MANUAL OF INSTRUCTIONS FOR USE AND INSTALLATION





OPEN FRONTED MERCHANDISER

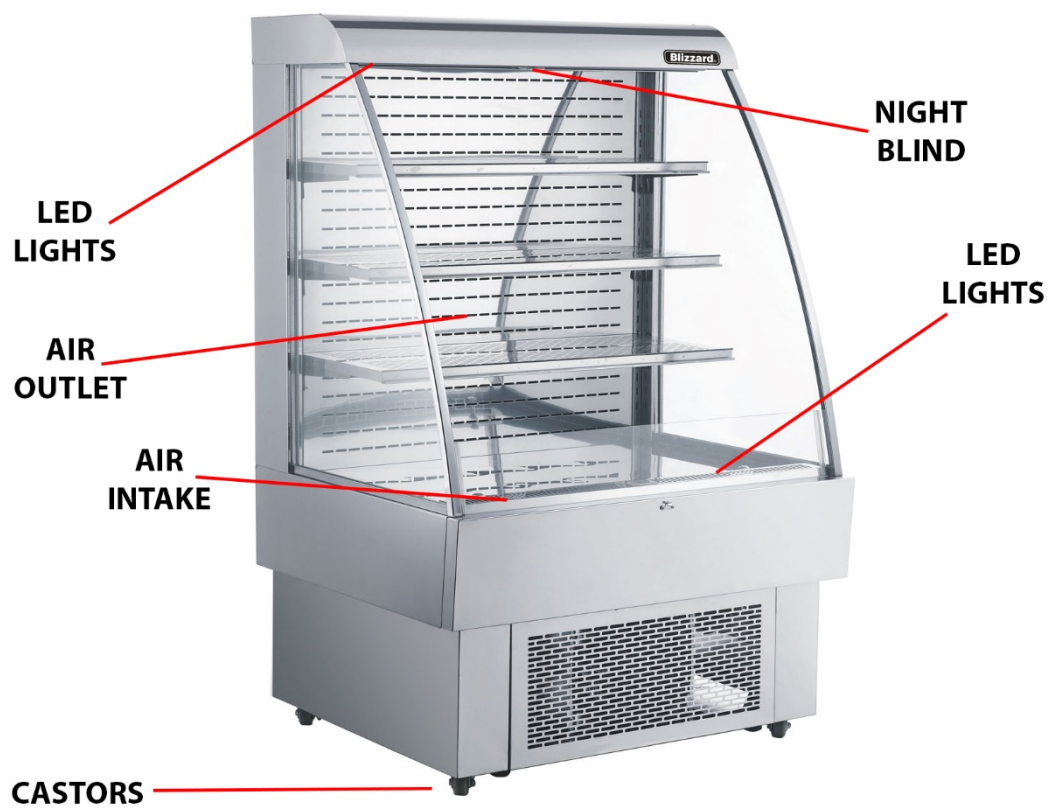
CONTENTS

- **General Information**
- **Structure and Parts**
- **Handling and Installation**
- **Preparation and Power Supply**
- **Usage and Warnings**
- **Maintenance**
- **Troubleshooting**
- **Refrigeration Diagram**
- **Circuit Diagram**
- **Technical Information**

GENERAL INFO

This type of refrigerated merchandiser is built to the highest standards of quality and safety, using high quality parts and components. The ergonomic design makes it an ideal choice for the display of drinks, dairy products, fruit and vegetables and pre-packaged foods.

STRUCTURE AND PARTS



HANDLING AND INSTALLATION

Location

- Never tilt over 45° during handling
- Always locate the unit in a clean dry place
- Ensure there is sufficient space (at least 100mm) between both sides of the unit and any obstructions. The refrigeration capability may be compromised if enough air is unable to be taken into the unit for cooling
- Always locate the unit in a well ventilated area. Before the first use, leave the cabinet in position for at least 2 hours before connecting to the power and switching on.
- Keep the unit away from any direct heat sources such as direct sunlight, heaters or cookers, to do so may reduce the refrigeration capability
- Never put any heavy load on top of the unit
- Never intentionally pierce or drill the unit in any way
- Ensure the unit is located on an even and stable surface

Preparation and Power Supply

- The unit should be connected directly to the mains with a 220-240v power supply
- Always use a standard British 3 pin plug or suitably approved adaptor.
- The mains supply should be correctly earthed.
- Do not connect to a shared power socket or extension, this may cause the cable to become hot and presents a fire risk
- Do not connect the unit if any of the cables are worn or damaged, seek immediate assistance from your supplier or a suitably qualified electrician
- Do not immerse in or introduce water or any other liquids into the cabinet, this may cause the unit to leak and present an electrical hazard

Loading

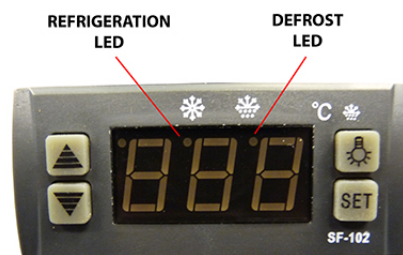
- Never use the cabinet to store or display flammable liquids such as gasoline, alcohol adhesive or explosives. Please keep such items a safe distance away from the cabinet to ensure safety
- Do not spray any flammable liquids on or near the cabinet to prevent risk of fire
- After unplugging the cabinet, please wait at least 5 minutes before reconnecting to the mains supply
- These cabinets are NOT suitable for the storage or display of medicines or vaccines

PUTTING INTO OPERATION

BEFORE USE: Connect the unit to a suitable and exclusive mains supply (220-240v)

Once the refrigeration unit has been running for a while, test the temperature of the cabinet by placing your hand over the air intake, if the air is suitably cold, you may then begin to load the cabinet.

DIGITAL TEMPERATURE CONTROLLER



The controller is an integrated intelligent control applicable to a compressor size of 1Hp.

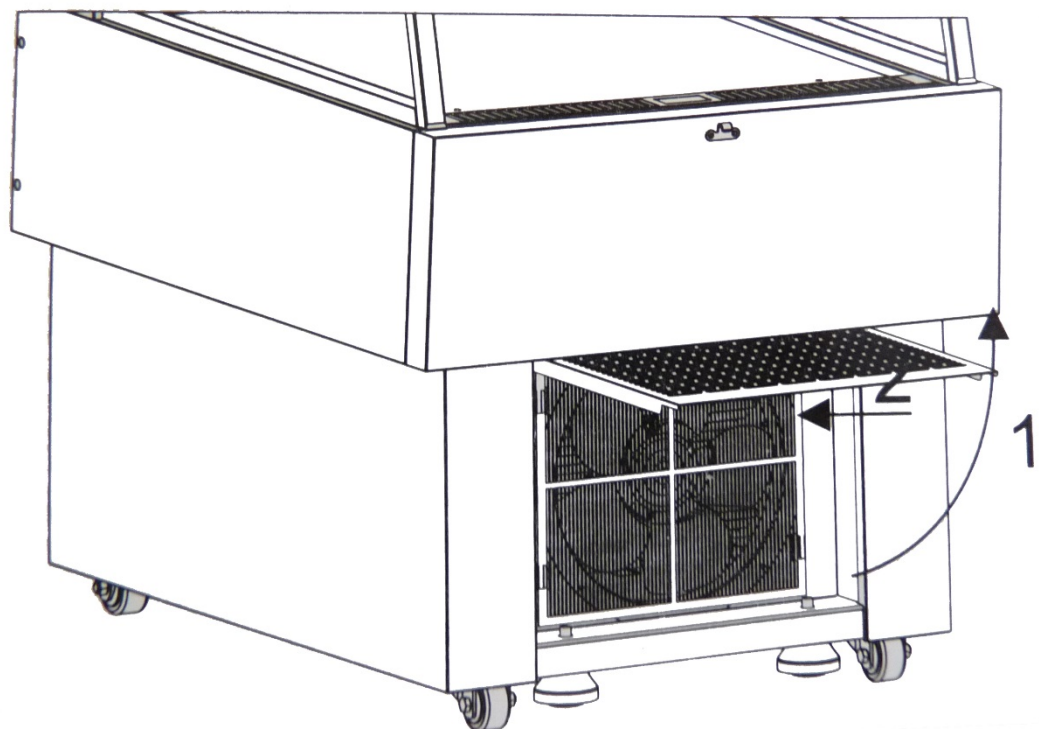
SETTING THE TEMPERATURE

- Press the SET button until the temperature is displayed
- Use the Up and Down keys to adjust the temperature to the required setting
- Press the SET button again to exit the adjustment menu
- If no buttons are pressed within 10 seconds, the current temperature of the cabinet will be displayed
- Illumination: Press the LIGHT BULB button and the cabinet should light, press it again to turn off illumination
- Manual Defrost: To begin the manual defrost, hold down the LIGHT BULB button for 6 seconds, to stop the defrost, hold the LIGHT BULB button down for 6 seconds again
- Refrigeration LED: This light will illuminate as the cabinet is refrigerating to the desired temperature range, once it has achieved this, the LED will go off
- Defrost LED: During defrosting, this light will illuminate until the defrosting cycle is ended. The LED will flash prior to the defrosting process

MAINTENANCE

To keep the refrigerator clean, periodical maintenance is necessary. Always disconnect the unit from the mains before carrying out any maintenance. Never use a damaged plug or electrical socket to prevent electrocution, fire or short circuit.

- Use a soft cloth and a neutral detergent solution to clean the outside of the cabinet, do not use hoses or immerse in water. Wipe down excessive moisture using a soft dry cloth
- **CLEANING THE FILTER:** When message **EE4** appears on the display please clean the filter immediately. If after cleaning the message **EE4** appears again, contact your service partner or vendor.
- Pull out the bottom panel using the handle as shown in the illustration below, once this is done, remove the filter and clean it as thoroughly as possible
- To take the unit out of service for an extended period of time, disconnect from the mains power supply and clean as above, leaving open the door to dry any moisture residue
- In the event of the appearance of smoke or abnormal odour or noise, immediately disconnect the unit from the mains supply and advise your service partner or vendor



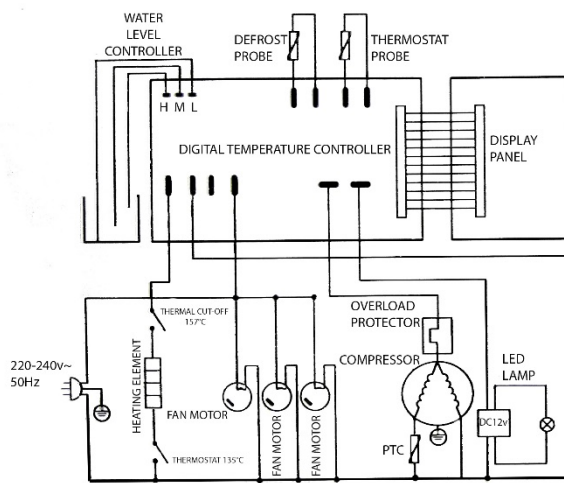
TROUBLESHOOTING

PROBLEM	CAUSE	SOLUTION
Strange noise under the bottom shelf	Fan blade is broken	Power off and fix the blade
The unit is failing to get cold	<ul style="list-style-type: none"> • No power supply • Defrosting • Refrigerant leaking • Unit failure 	<ul style="list-style-type: none"> • Check Power supply • Stop defrost cycle • Patch the leak and recharge • Call your service partner or vendor
Poor airflow, cabinet temperature is increasing	<ul style="list-style-type: none"> • Evaporator blocked by frost • Inside fan damaged • Set point too low • Vent blocked by product 	<ul style="list-style-type: none"> • Increase defrost frequency • Replace fan • Adjust the set point • Remove the obstructive product
Normal airflow, cabinet temperature is increasing	<ul style="list-style-type: none"> • Insufficient refrigerant • Set point too high • Air curtain disturbed by draught • Ambient temperature or humidity too high 	<ul style="list-style-type: none"> • Recharge the refrigerant • Adjust the set point • Check for draughts and close off • Improve the ambient conditions
Drip tray overflowing	<ul style="list-style-type: none"> • Heating pipe for condensate water damaged • Water level stat failure • Ambient temp or humidity too high 	<ul style="list-style-type: none"> • Replace the heating pipe • Replace the water level stat • Improve the ambient conditions
Normal air curtain, but fluctuating cabinet temperature	<ul style="list-style-type: none"> • Condenser contaminated • Poor ventilation • Heat protection of compressor failure • Capillary blocked by ice • Temperature controller failure 	<ul style="list-style-type: none"> • Clean the condenser • Improve ventilation • Replace the heat protection • Replace the filter drier • Replace the controller

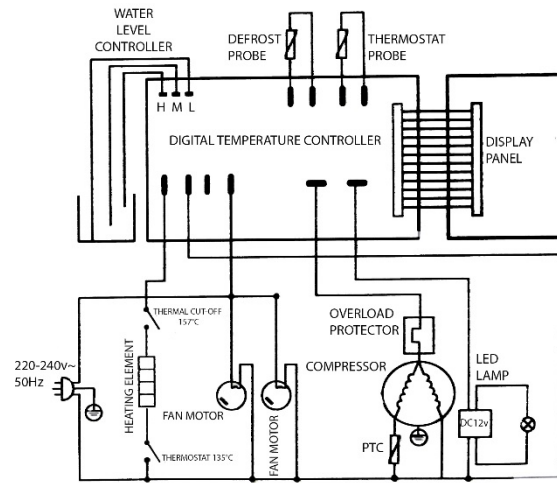
NOTES

The sound of running water is heard when the refrigerator is in use, this is simply the coolant circulating in the system. In areas of high humidity, there may appear moisture on the outside of the cabinet, this is simply condensation and can be wiped off with a soft dry cloth, this will not affect the function of the refrigerator.

ELECTRICAL CIRCUIT DIAGRAM



GRAB100



GRAB60

TECHNICAL INFORMATION

MODEL	GRAB60	GRAB100
Power Load (w)	1340	1400
Temperature Range	+2 to +12°C	+2 to +12°C
Maximum Ambient Temp	+27°C	+27°C
Rated Current (A)	8.0	8.5
Refrigerant	R404a	R404a
Climate Type	6	6
Protected Mode	I	I
Lamp Power (w)	2 (LED)	2 (LED)
Rated Voltage (V)	220-240~	220-240~
Foaming Agent	XPS	XPS
Storage Volume (l)	230	380
Net Weight (Kg)	82	107
Unit Dimensions (mm)	1520 x 600 x 890	1520 x 1000 x 890