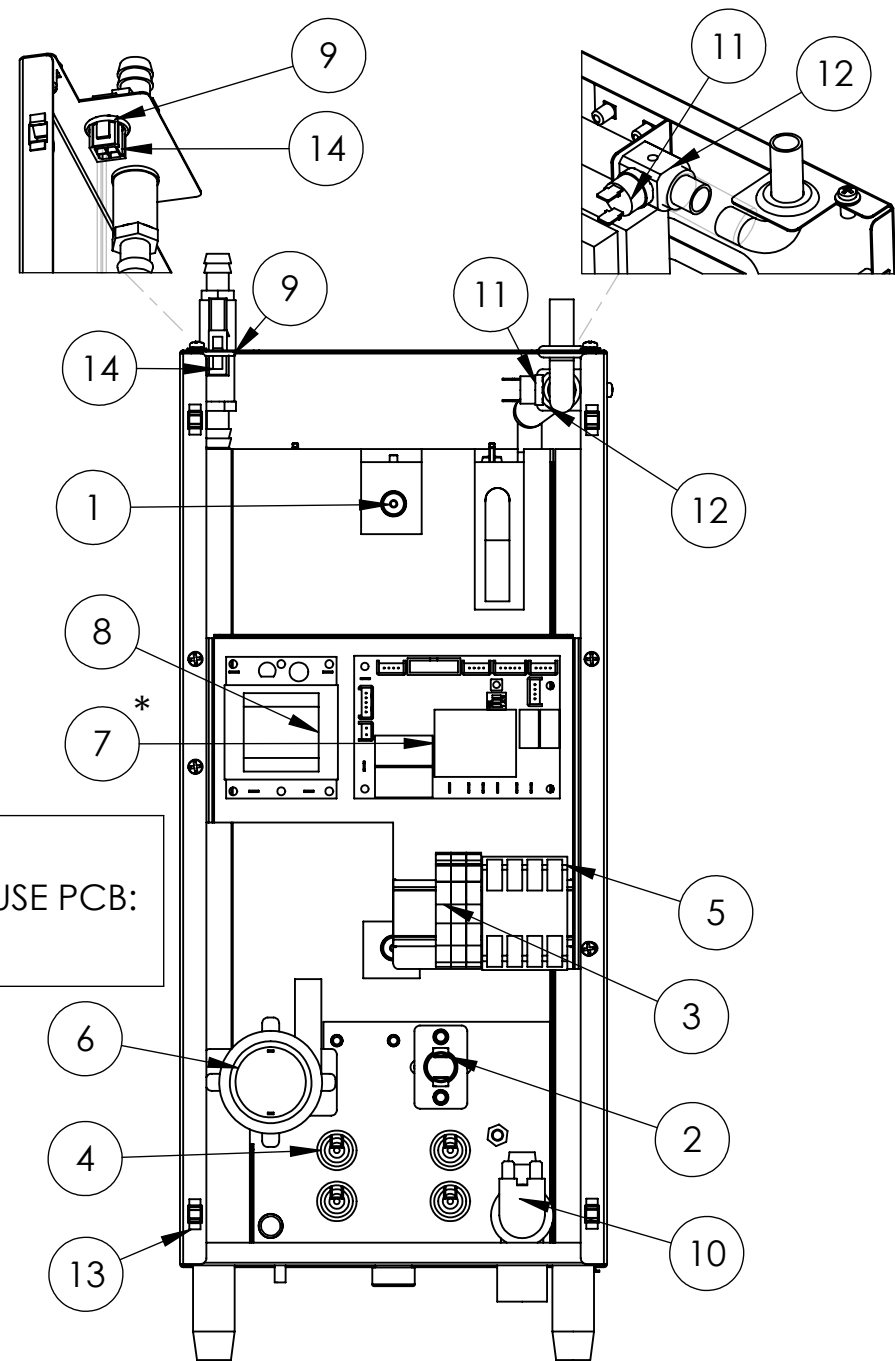


ITEM NO.	PART NUMBER	DESCRIPTION	QTY
1	2301463	PROBE COMPLETE ASSEMBLY 40mm	3
2	1502087	THERMAL SWITCH 130 DEG	1
3	1502000	TERMINAL 6mm	3
4	1500985	ELEMENT 2.8kW 230V	2
5	1500840	CONTACTOR B&J 240V AC	1
6	1501542	PUMP MULLER 24V DC	1
7	1600345	ECO MAIN PCB	1
8	1600366	24V DC PUMP SUPPLY	1
9	1800780	O RING FOR PROBE	1
10	1502190	VALVE INLET SOLENOID 240V 3/4"	1
11	1502088	Thermal Switch 90deg, M4 Stud Mount	1
12	1502089	Thermal Switch Mount Brass	1
13	1402146	CLIP LATCH SELF MOUNT	4
14	1400611	Connector mini fit 4 way socket	1



*NOTE:
On MACHINES 1000751 AND 1000752 USE PCB:
P/N: 1600354 P.C.B Eco Slave

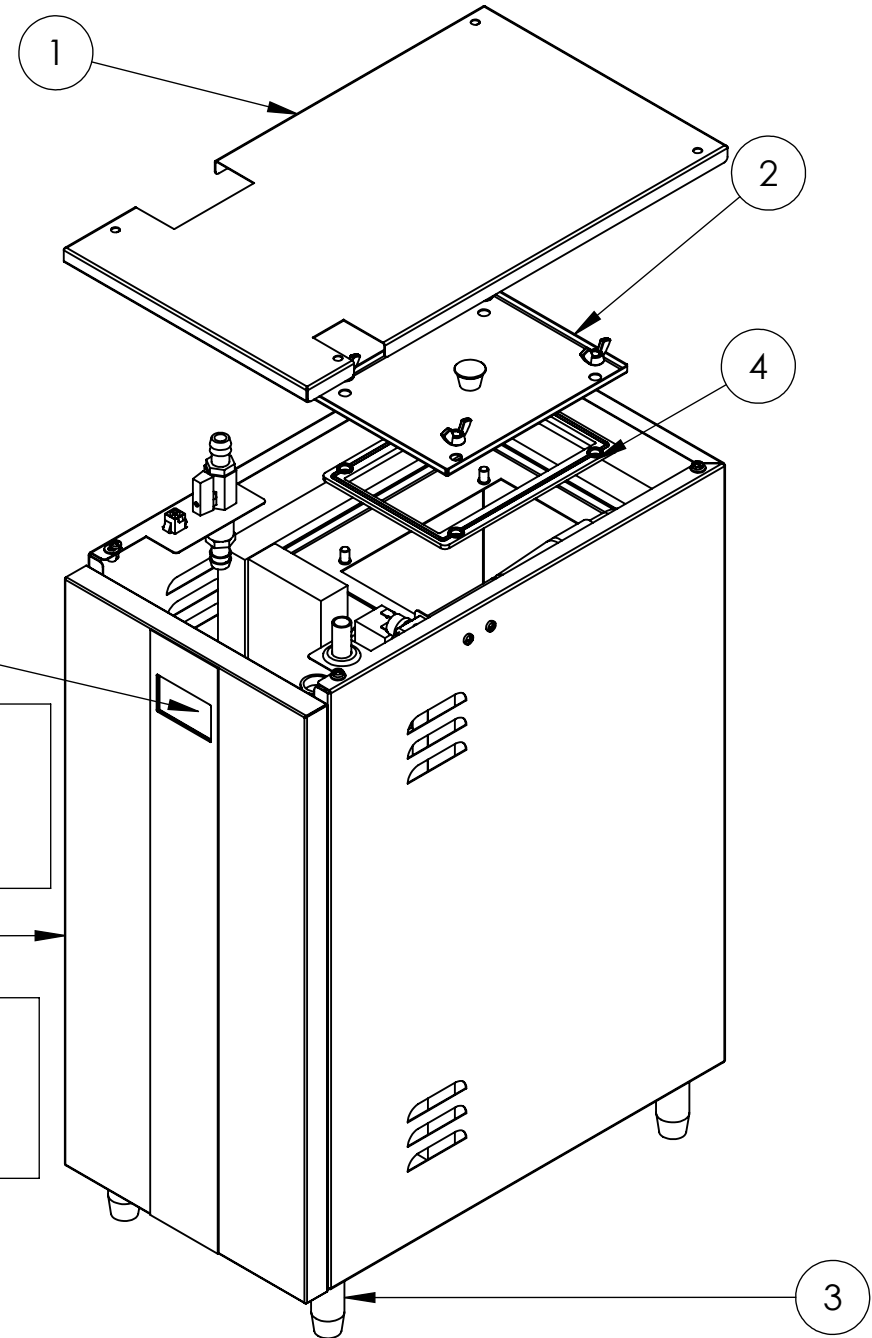


UNLESS OTHERWISE SPECIFIED: DIMENSIONS ARE IN MILLIMETERS
TOLERANCES: LINEAR: +/-0.2mm

DESCRIPTION:	Internal exploded 1000741 1000742 1000751 1000752
DWG NO.:	UC10-021A
MATERIAL:	N/A

DRAWN BY	FMc	18-08-11
APPROVED BY	NMC	18-08-11
REVISION	a	CO: 575
		SCALE:1:5

ITEM NO.	PART NUMBER	DESCRIPTION	QTY.
1	2300388	LID 1000741 1000742 1000751 1000752	1
2	2300384	Lid Inner Ecoboiler	1
3	1700310	Leg 50mm Nylon 22mm Diameter	4
4	1800306	GASKET INNER ECOBOILER	1
5	1600357K	PCB 357 Spares kit	1
6	1801811	Service Panel 1000751 1000752	1



*NOTE :
ON MACHINES 1000741 AND 1000742 USE PCB:
p/n: 1600349 PCB Display Ecoboiler 10L

**NOTE :
ON MACHINES 1000741 AND 1000742 USE :
1801810 Service Panel 1000741 1000742

DESCRIPTION:	External exploded 1000741 1000742 1000751 1000752	DRAWN BY	FMc	17-08-11
DWG NO.:	UC10-020A	APPROVED BY	NMc	17-08-11
MATERIAL:	N/A	REVISION	a	CO: 575
				SCALE:1:5