

INSTALLATION & CARE INSTRUCTIONS

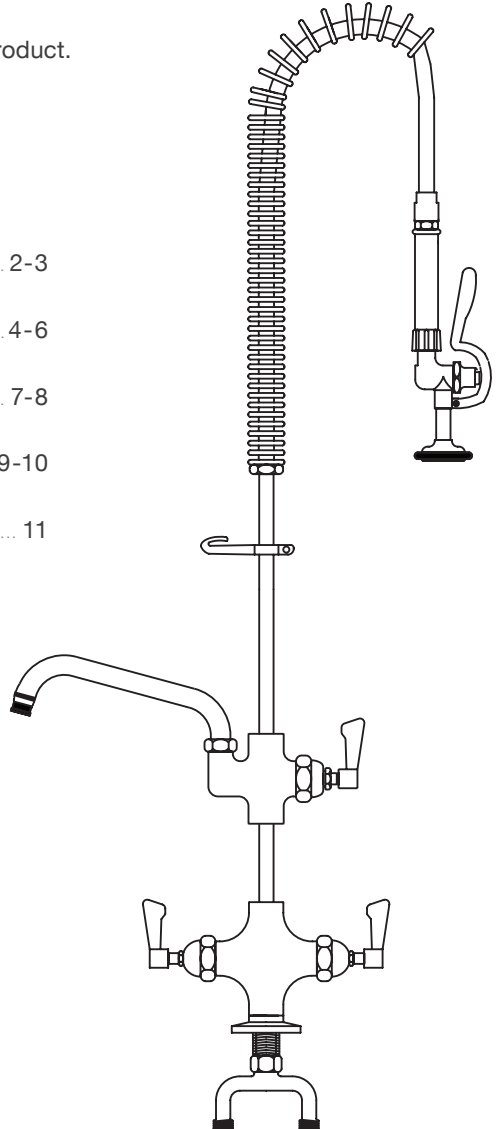
PRE-RINSE PRODUCTS

AQUAJET
manufactured by **MECHLINE**

Thank you for purchasing your AquaJet product.

CONTENTS:

AquaJet 10 (or 15).....	2-3
AquaJet 20	4-6
AquaJet 30	7-8
AquaJet 40	9-10
Maintenance & cleaning.....	11



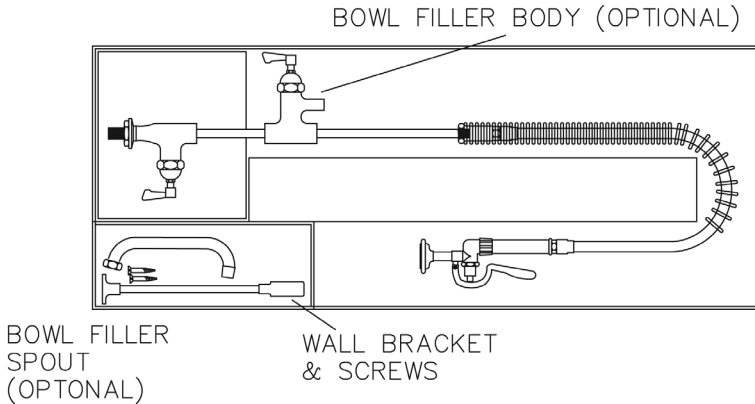
AQUAJET 10

AJPR 10 (or 15) PRE-RINSE SPRAY INSTALLATION & OPERATING INSTRUCTIONS

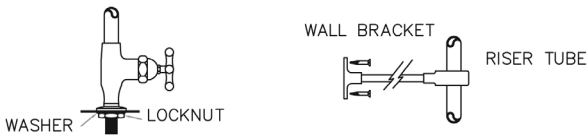
1. INSTALLATION.

Remove the pre-rinse spray from the box and inspect for damage.

Check that you have the following parts:



2. Fit the pre-rinse spray into the sink tap hole, and tighten the brass fixing nut to the underside. Cut the wall bracket to the correct length and fix securely to the wall or a solid surface using the screws supplied. Fix the other end of the wall bracket securely to the pre-rinse riser tube.

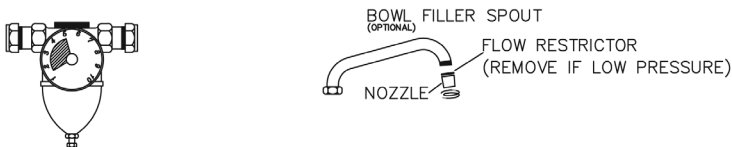


3. Water connection: This pre-rinse spray is designed for connection to a

cold water supply in the pressure range **1.5 bar – 5 bar**

water pressure lower than 1.5 bar will affect the performance of the pre-rinse. Do not connect the pre-rinse to a water supply with pressure higher than 5 bar.

Water supply must be flushed free of all debris prior to connection to the pre-rinse



This pre-rinse spray has been pressure tested to 6 bar (88.2 psi) and has been flow tested. Before leaving site, fully test the pre-rinse to ensure that nothing has come loose during the installation / transport process. If you do have to tighten any joints, do not overtighten or use tools that could damage the pre-rinse in any way.



When installing the pre-rinse, ensure that any water flexible hoses are not kinked as this will restrict the flow of water.

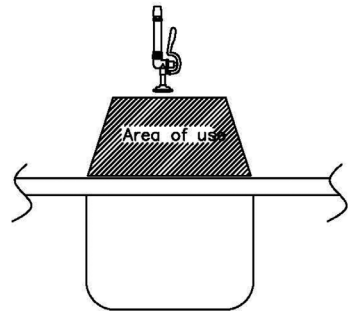
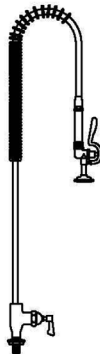


Installation must be in accordance with local authority water regulations
Once the installation is complete, leave this sheet with the operator.

- Do not over-extend spray gun head during use
- Do not extend past the limits of the sink bowl
- Do not pull below the height of the sink top.
- Do not restrain gun handle in open position.

Notes for the operator:

Turn off deck tap when not in use



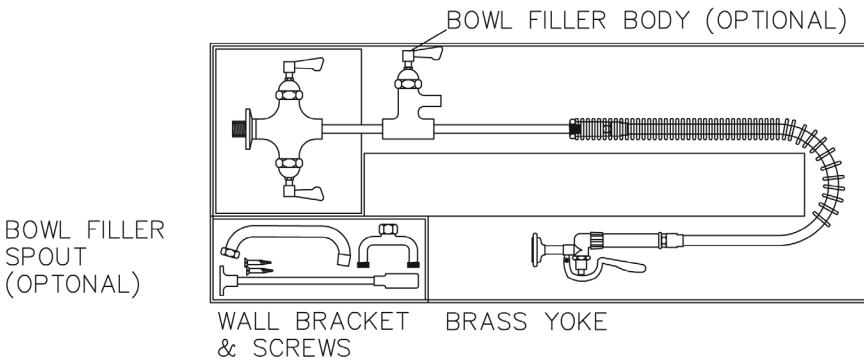
AQUAJET 20

AJPR 20 PRE-RINSE SPRAY INSTALLATION & OPERATING INSTRUCTIONS

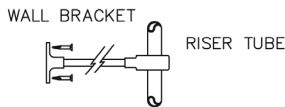
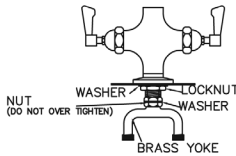
1. INSTALLATION.

Remove the pre-rinse spray from the box and inspect for damage.

Check that you have the following parts:



2. Fit the pre-rinse spray into the sink tap hole, and tighten the brass fixing nut to the underside. Cut the wall bracket to the correct length and fix securely to the wall or a solid surface using the screws supplied. Fix the other end of the wall bracket securely to the pre-rinse riser tube.

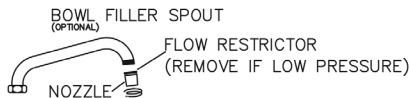
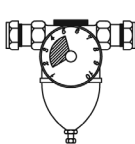


3. Water connection: This pre-rinse spray is designed for connection to a hot water supply up to 50 C and a cold water supply. Water supply pressures must be balanced.

1.5 bar – 5 bar

water pressure lower than 1.5 bar will affect the performance of the pre-rinse. Do not connect the pre-rinse to a water supply with pressure higher than 5 bar.

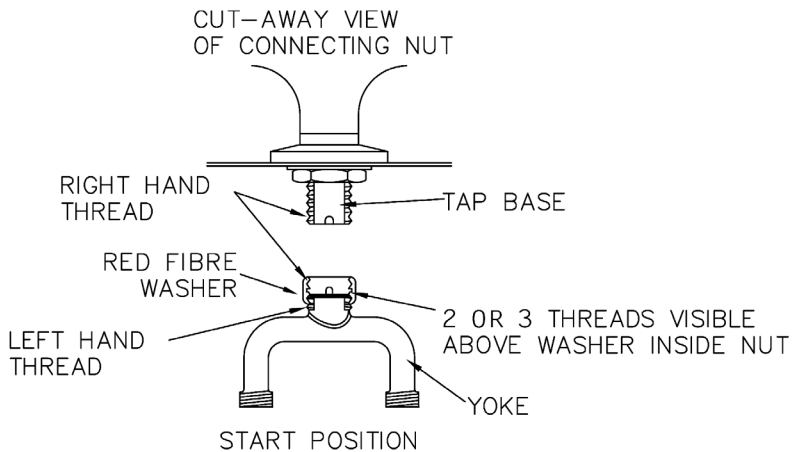
Water supply must be flushed free of all debris prior to connection to the pre-rinse



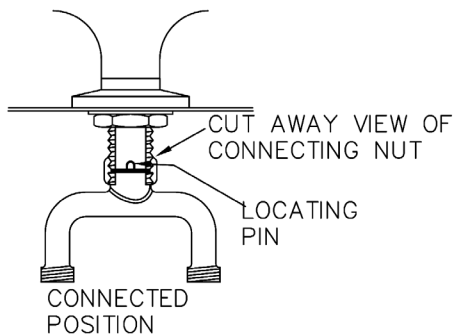
Aquajet AJPR20 Installation Instructions

Brass base nut & yoke assembly instructions

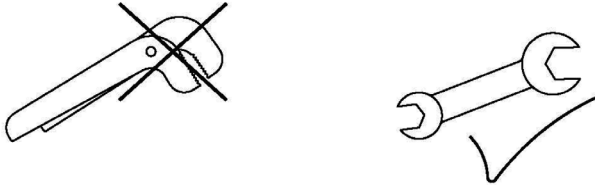
1. Set brass base nut so that 2 or 3 threads are visible inside of the nut, above the red fibre washer.



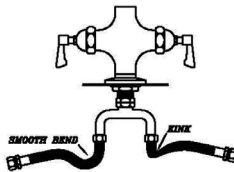
2. Screw the brass nut/ yoke assembly onto the tap base until the tap base tightens onto the red fibre washer. Do not overtighten. Test for leaks after fitting.



This pre-rinse spray has been pressure tested to 6 bar (88.2 psi) and has been flow tested. Before leaving site, fully test the pre-rinse to ensure that nothing has come loose during the installation / transport process. If you do have to tighten any joints, do not overtighten or use tools that could damage the pre-rinse in any way.



When installing the pre-rinse, ensure that any water flexible hoses are not kinked as this will restrict the flow of water.



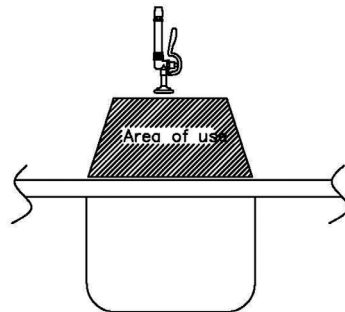
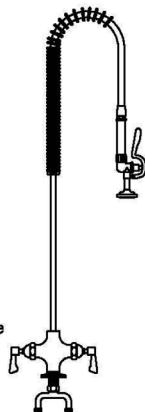
NOTE:
PRE-RINSE SHOULD BE
CONNECTED TO
PRESSURE-BALANCED
WATER SUPPLIES

Installation must be in accordance with local authority water regulations
Once the installation is complete, leave this sheet with the operator.

- Do not over-extend spray gun head during use
- Do not extend past the limits of the sink bowl
- Do not pull below the height of the sink top.
- Do not restrain gun handle in open position.

Notes for the operator:

Turn off deck taps when not in use



AQUAJET 30

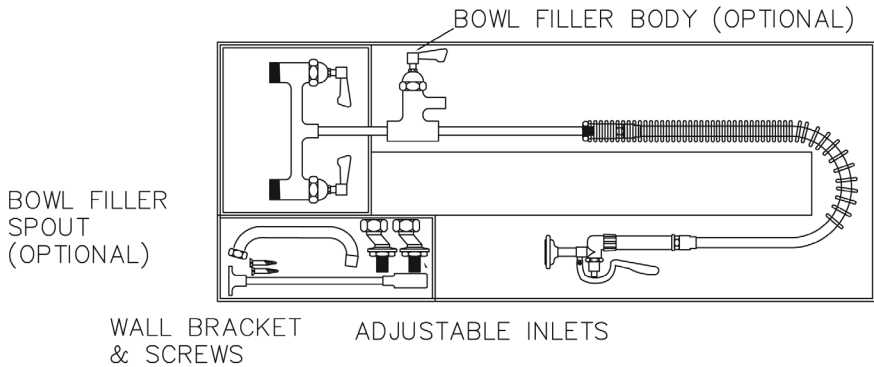
AJPR 30 PRE-RINSE SPRAY

INSTALLATION & OPERATING INSTRUCTIONS

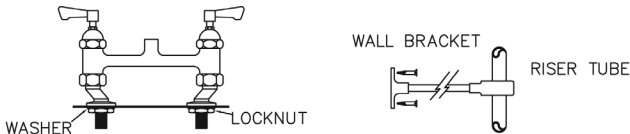
1. INSTALLATION.

Remove the pre-rinse spray from the box and inspect for damage.

Check that you have the following parts:



2. Fit the pre-rinse spray into the sink tap holes, and tighten the brass fixing nuts to the underside. Cut the wall bracket to the correct length and fix securely to the wall or a solid surface using the screws supplied. Fix the other end of the wall bracket securely to the pre-rinse riser tube.

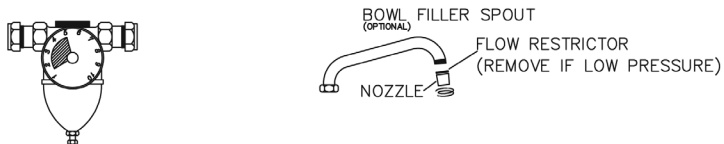


3. Water connection: This pre-rinse spray is designed for connection to a hot water supply up to 50 C and a cold water supply. Water supply pressures must be balanced.

1.5 bar – 5 bar

water pressure lower than 1.5 bar will affect the performance of the pre-rinse. Do not connect the pre-rinse to a water supply with pressure higher than 5 bar.

Water supply must be flushed free of all debris prior to connection to the pre-rinse

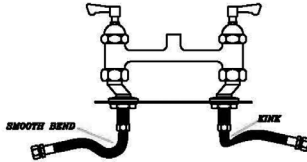


Cont'd...

This pre-rinse spray has been pressure tested to 6 bar (88.2 psi) and has been flow tested. Before leaving site, fully test the pre-rinse to ensure that nothing has come loose during the installation / transport process. If you do have to tighten any joints, do not overtighten or use tools that could damage the pre-rinse in any way.



When installing the pre-rinse, ensure that any water flexible hoses are not kinked as this will restrict the flow of water.



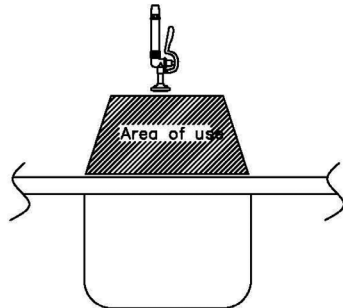
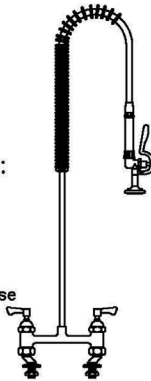
NOTE:
PRE-RINSE SHOULD BE
CONNECTED TO
PRESSURE-BALANCED
WATER SUPPLIES

Installation must be in accordance with local authority water regulations
Once the installation is complete, leave this sheet with the operator.

- Do not over-extend spray gun head during use
- Do not extend past the limits of the sink bowl
- Do not pull below the height of the sink top.
- Do not restrain gun handle in open position

Notes for the operator:

Turn off deck taps when not in use



AQUAJET 40

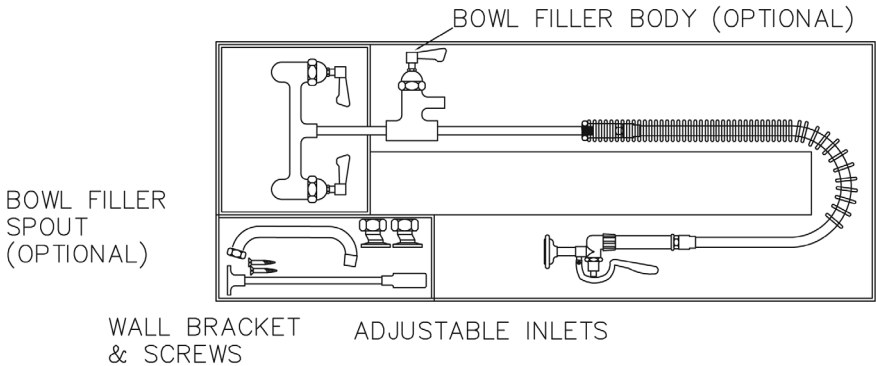
AJPR 40 PRE-RINSE SPRAY

INSTALLATION & OPERATING INSTRUCTIONS

1. INSTALLATION.

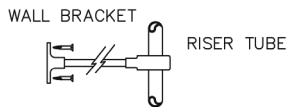
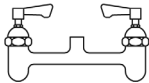
Remove the pre-rinse spray from the box and inspect for damage.

Check that you have the following parts:



2. Fit the pre-rinse spray into the splash-back faucet holes.

Cut the wall bracket to the correct length and fix securely to the wall or a solid surface using the screws supplied. Fix the other end of the wall bracket securely to the pre-rinse riser tube.

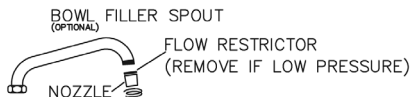
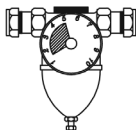


3. Water connection: This pre-rinse spray is designed for connection to a hot water supply up to 50 C and a cold water supply. Water supply pressures must be balanced.

1.5 bar – 5 bar

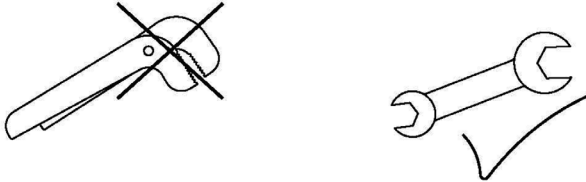
water pressure lower than 1.5 bar will affect the performance of the pre-rinse. Do not connect the pre-rinse to a water supply with pressure higher than 5 bar.

Water supply must be flushed free of all debris prior to connection to the pre-rinse

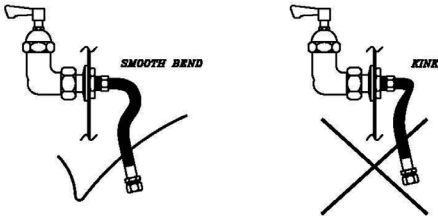


Cont'd...

This pre-rinse spray has been pressure tested to 6 bar (88.2 psi) and has been flow tested. Before leaving site, fully test the pre-rinse to ensure that nothing has come loose during installation / transport process. If you do have to tighten any joints do not overtighten or use tools that could damage the pre-rinse.



When installing the pre-rinse, ensure that any water flexible hoses are not kinked as this will restrict the flow of water.

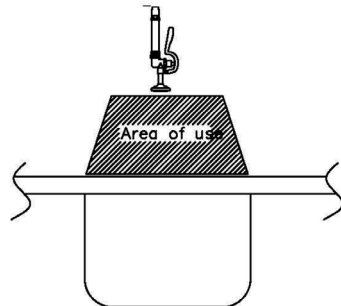
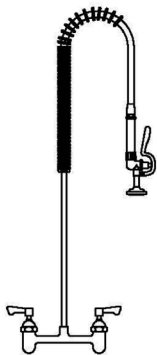


NOTE:
PRE-RINSE SHOULD BE
CONNECTED TO
PRESSURE-BALANCED
WATER SUPPLIES

Installation must be in accordance with local authority water regulations
Once the installation is complete, leave this sheet with the operator.

Notes for the operator: Do not over-extend spray gun head during use
Do not extend past the limits of the sink bowl
Do not pull below the height of the sink top.
Do not restrain gun handle in open position

Turn off deck taps
when not in use



MAINTENANCE & CLEANING

Cleaning chrome: Do not use abrasive, chlorine or acid-based cleaning products. Avoid contact with concentrated bleach. Clean with soapy water using a cloth or sponge.

NOTES:

.....

.....

.....

.....

.....

.....

.....

.....

.....

.....

.....

.....

.....

.....

.....

.....

.....

.....

.....

.....

.....

.....

.....



MECHLINE DEVELOPMENTS LIMITED | Unit 15, Carters Lane, Kiln Farm, Milton Keynes, England MK11 3ER
Tel: 0044 (0)1908 261511 | Fax: 0044 (0)1908 261522 | Email: info@mechline.com | Web: www.mechline.com

©2014 All rights reserved. All material on these pages, including and without limitation text, logos, icons, photographs and all other artwork, is copyright material of Mechline Developments Ltd, unless otherwise stated. Commercial use of this material may only be made with the express, prior, written permission of Mechline. This includes material provided by any third party, including material obtained through links to other sites from Mechline's pages or its affiliates and commercial associates. Material and information included are correct at time of print. Intending buyers and users must satisfy themselves as to the suitability and safety of the products for their particular purposes and duties. Dimensions shown in mm unless otherwise stated. Product accreditation may not apply to all products in the relevant range. Please contact Mechline to confirm. Unless otherwise stated, all products carry a warranty of twelve (12) months against manufacturing defect or workmanship on parts with no inclusion for labour or site attendance.