



WATER



GAS



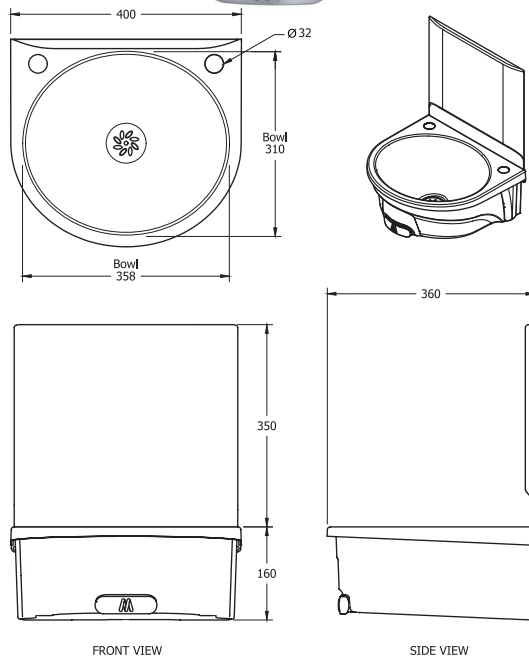
ENVIRONMENT



PEST CONTROL

HAND WASH STATIONS

BASIX



BSX-400i-KVS-T

The BSX-400i-KVS-T The new BaSix range is the next generation of hand wash stations, designed to promote optimal hygiene practise with minimal fuss. High grade polished 304 Austenitic stainless steel for bowl and deck, and a high grade, high strength injection moulded ABS-Polycarbonate for the skirt.

Push Front' Hands-Free mechanical operation. Includes fixed spout, Premix Nano DLB-732-115 thermostatic mixer, water hose & tap hole stopper. Basin dia.: O/D: 400 x 360 x 160mm. Bowl: 358mm x 310 x 160mm deep.

- WRAS approved across the whole range.
- Curved design ideal for commercial kitchens.
- No sharp corners for kitchen staff to knock into.
- Easy to clean integral flush grated waste reduces the risk of bacterial development.
- Bowl and deck are permanently bonded to the skirt, removing the need for exposed bolts and rivets.
- High strength injection moulded skirt removes the possibility of cut hazards created by sharp stainless steel edge.
- Mounting bracket with integral spirit level for fast and easy installation.
- Optional waste bins can be fitted to all models.
- Stylish, functional design.

FURTHER OPTIONS

Model	Description	
BSX-SPD	Optional Soap Dispenser	
BSX-WASTE-BIN	Optional Waste Bin Hangs neatly under the basin	

MAINTENANCE & CLEANING

Cleaning chrome: Do not use abrasive, chlorine or acid-based cleaning products. Avoid contact with concentrated bleach. Clean with soapy water using a cloth or sponge.

Dimensions are in millimeters. Note: If a CAD file is required please visit www.mechline.com

Rev. 08/17 (BSX0031-KVS-T)