

PANTHEON

Catering Equipment



**3-Speed 30 Litre Planetary Mixer
PM30 Operating Manual**

Introduction

Thank you for purchasing a Pantheon Catering Equipment product. In this booklet you will find instructions for safe operation so please read carefully and retain for future reference.

Warnings and Precautions

The following warnings and precautions are important and must be observed:

- Ensure voltage and frequency power requirements for the planetary mixer match that of the supply.
- The machine must be earthed when used. There is a danger of electric shock if it is not earthed.
- In case of emergency, please turn off the power switch and unplug the machine.
- If the electric wire becomes damaged, a qualified engineer or the manufacturer must replace it.
- Do not overload the mixer, it may cause the unit to malfunction and trip out.

Pantheon Catering Equipment is not responsible for any accidents or faults caused by amendments made to the machine or improper use by the user.

Technical Data

Specifications:

Model:	PM30
Voltage (V)	220-240V 50Hz
Power (W)	1100
Maximum Load (Kg)	12
Weight (Kg)	204
Dimensions (mm)	550w x 600d x 1115h

Installation

The installation of the unit must be performed by a qualified technician only.

Ensure the device is positioned on a solid, even, safe and stable surface that tolerates the weight of the unit.

Ensure no flammable products are placed near the unit.

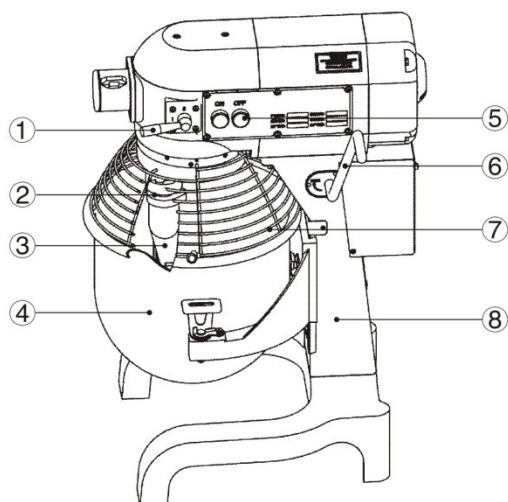
Position the device appropriately so that the plug is always accessible. Also ensure the unit isn't placed close to any water.

Also ensure there is sufficient operating space around the machine itself.

Operating Instructions

Be sure to follow the instructions below and use 'figure 1' to correctly operate the planetary mixer:

1. Slide the guard across and pour the ingredients into the bowl
2. Close the guard and ensure the speed setting is set to the lowest speed to begin with.
3. Switch on the mixer using the green start button
4. It is advised to start the mixer at the lowest speed and if required work up to the quickest speed.
5. If the machine is stopped during the mixing process, be sure to return to the lowest speed before starting the machine up again.
6. After use, press the stop button and ensure the mixer has completely stopped before opening the guard



1. Gear Change Hand Lever
2. Stirring Shaft
3. Mixer
4. Stainless Bowl
5. Power Switch
6. Bowl Lift Lever
7. Safety Guard
8. Support

Figure 1

Maintenance

Cleaning:

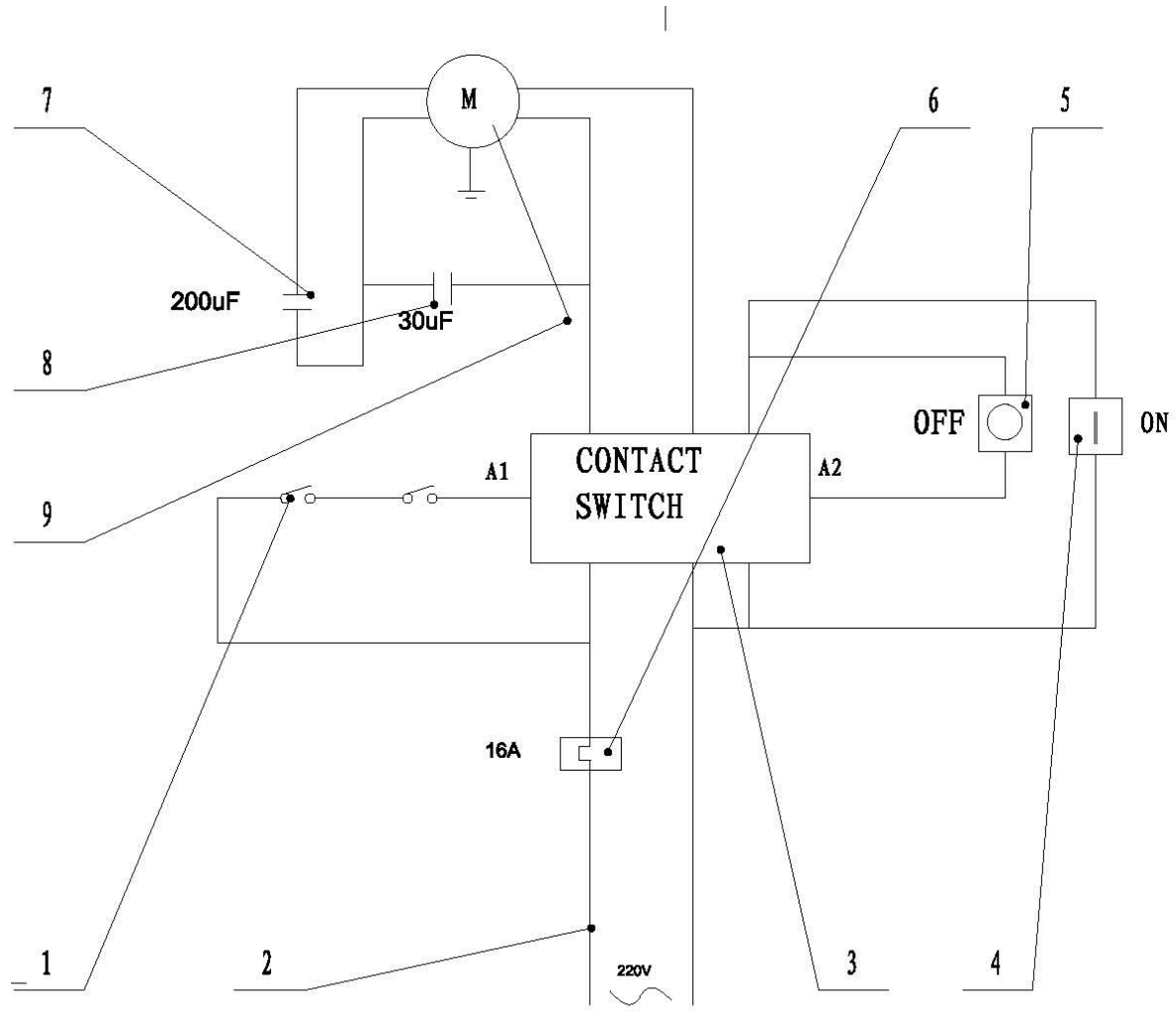
Prior to cleaning always ensure the unit switched off and unplugged at the mains.

Spilled food should be removed immediately from all exterior surfaces, simply using a damp cloth. Cleaning the mixer on a regular basis will help to prolong its life.

Troubleshooting

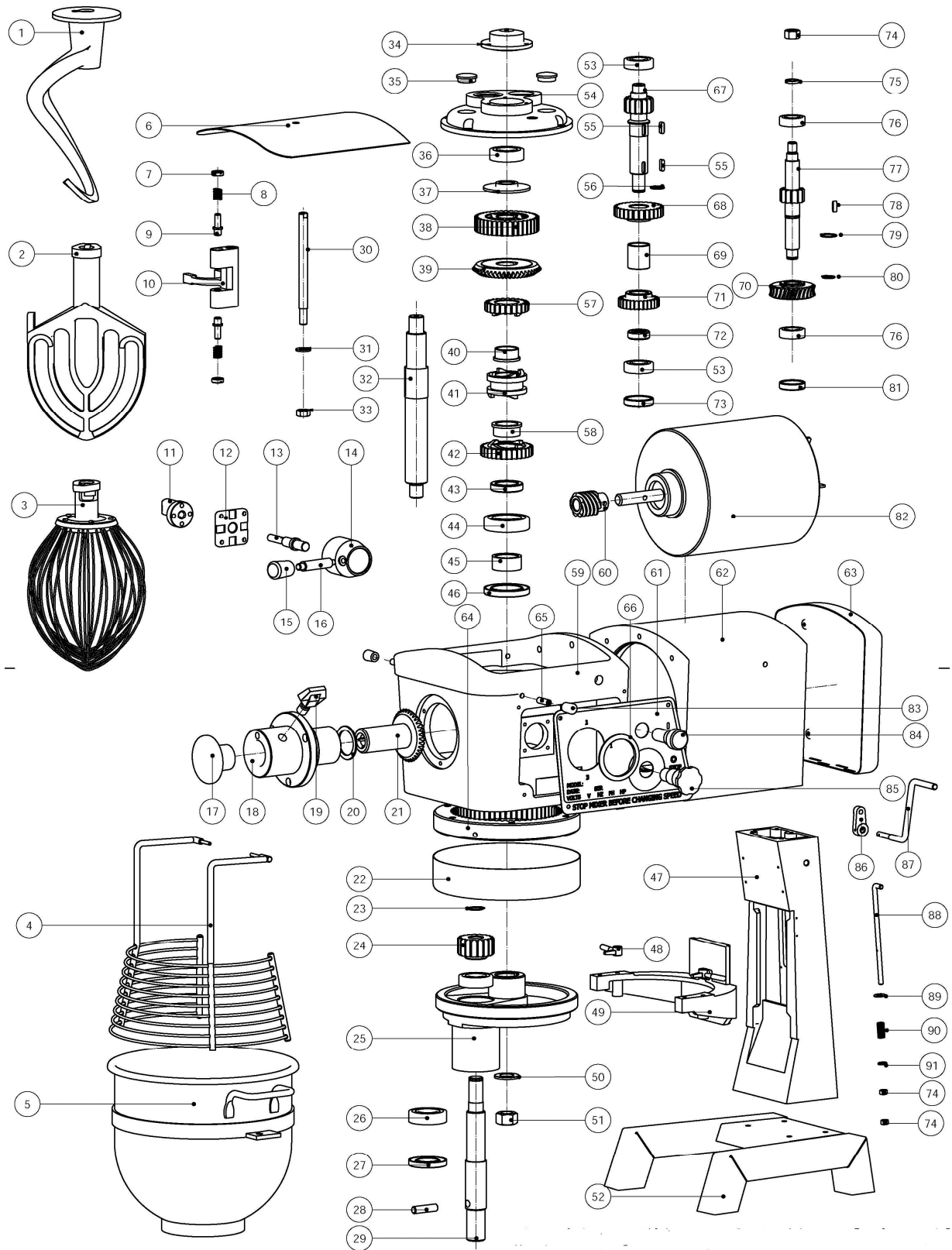
Problem	Possible Causes	Solution
The mixer will not start	<ul style="list-style-type: none">• The power is not connected correctly.• The safety guard is not shut correctly.	<ul style="list-style-type: none">• Ensure the plug is securely in the wall• Ensure the safety guard is shut correctly
The guard switch isn't operating correctly	The guard switch isn't connected correctly	Open the guard to double check the guard switch is connected correctly and isn't blocked by food products
The mixer has overheated	The mixer has been operated for too long or has been running with excessive load	Ensure the mixer hasn't been overloaded. Then try pressing the reset button at the rear of the mixer
The mixer isn't operating correctly	Check the following: <ul style="list-style-type: none">• Drive System• Motor Condition• Drive Belt	If the belt has come loose, remove the top cover and the rear ventilating plate. Adjust the belt; tighten the drive wheels or chains as necessary.

Circuit Diagram



No.	Part. No	Part Name	Qty
1	SM20-DQ-01	Distance switch	2
2	SM30-DQ-02	Power cord	1
3	SM30-DQ-03	Contact switch	1
4	SM20-DQ-04	Green switch	1
5	SM30-DQ-05	Red switch	1
6	SM30-DQ-06	Over loading switch	1
7	SM30-DQ-07	Capacitance 200 uf	1
8	SM30-DQ-08	Capacitance 30 uf	1
9	SM30-DQ-09	MOTOR	1

Parts Diagram



No.	Part No.	Part Name	No.	Part No.	Part Name
1	40705900	Hook	47	40704000	Body housing
2	40705800	Beater	48	40704200	Bowl hold kits
3	40706000	Wire Whip	49	40705100	Support
4	40708200	Safety guard	50	50307009	Clamp plate 18
5	50401008	Bowl	51	50304012	Nut M8*1.5
6	40707300	Top cover	52	50405038	Base
7	50405064	Screw	53	50301005	Bearing 6203
8	50406021	Spring	54	40700500	Transmission shaft support
9	50405029	Pin shaft	55	50313016	Key 5*16
10	40703400	Shifting yoke	56	50312005	Circlips for shaft 17
11	40502900	Cam-gear shifter	57	40701700	Gear
12	40503100	Plate-shifter index	58	50405042	Bushing
13	40700200	Handle-shifter	59	40701400	Gear box
14	40700300	Handle set	60	50405025	Worm pole
15	50405044	Turn set M6	61	50402037	Brand
16	40700100	Speed handle	62	40700400	Motor
17	50405015	Plug attachment hub	63	50405037	Back housing
18	40701900	Attachment hub	64	40702400	Internal gear
19	50405065	Spring	65	50305075	Tighten yoke M8x25
20	50405026	Circlips	66	50405049	Crank lever
21	40701800	Gear	67	40700900	Handle-shifter
22	50405033	Hood ring	68	40700800	Gear
23	50312007	Circlips for shaft 19	69	40703200	Bushing
24	40702600	Planet gear	70	40700700	Worm wheel

25	40702700	Operating shelf	71	40702900	Mid-gear wheel gear
26	50301007	Bearing 6205	72	40703100	Washer
27	50310009	Oil seal	73	40703000	Plug cover 1
28	50306036	Pin 10*38	74	50304007	Nut M12
29	40702800	Working shaft	75	50308007	Spring washer 12
30	40703600	Declutch shift shaft	76	50301004	Bearing 6202
31	50307006	Plate 10	77	40700600	Gear wheel
32	40701300	Main shaft	78	50313016	Key 5x15
33	50304006	Nut M10	79	50312008	Circlips for shaft 20
34	40701100	Top batter valve cap	80	50312003	Circlips for shaft 15
35	50405032	Flat valve cap	81	40703300	Plug cover 2
36	50301006	Bearing 6204	82	50501031	Motor
37	40701200	Main shaft plug cover	83	50405050	Rubber set
38	40701500	Super machine parts	84	50506026	Green button
39	40701000	Gear	85	50506030	Red button
40	50405041	Bushing	86	40705500	Crank lever
41	40702000	Sleeve	87	40705700	Handle-shifter
42	40702100	Gear	88	40705300	Connecting rod
43	40702200	Clamp plate	89	50307008	Clamp plate 14
44	50301008	Bearing 6206	90	50406022	Spring
45	40702300	Bushing	91	50307007	Clamp plate 12
46	50310015	Oil seal 40*62*8			