



## Contents

<b>Product Overview</b>	02
<b>Installation</b>	02
<b>General operation</b>	03
<b>Controls</b>	04
<b>Temperature Setting and Control</b>	04
<b>Cleaning, Care &amp; Maintenance</b>	05
<b>Troubleshooting</b>	07
<b>Circuit Diagram</b>	08
<b>End of Life Disposal</b>	09
<b>Guarantee</b>	09
<b>Your Notes</b>	10

## Product overview

Model No.	Article Description
KB-KBC1	Hinged one door back bar cooler
KB-KBC2	Hinged two door back bar cooler
KB-KBC3	Hinged three door back bar cooler
KB-KBC2SL	Sliding two door back bar cooler
KB-KBC3SL	Sliding three door back bar cooler

## Installation

Store the unit upright. If the unit has been stored or transported on its back, front or sides then it must be placed upright for at least an hour before switching on. Place the unit on an even floor as far away as possible from any source of heat.

**Note: Do not move unit by lifting either the door or door handle as this may cause damage to the cabinet.**

Please ensure the correct aperture size is made available for this unit:

The correct aperture size should give a gap of approximately 30mm between the top of the cabinet and the underside of the back bar and between the back of the unit and the wall. Poor ventilation due to insufficient aperture size is likely to cause: reduced cooling; icing up; Premature compressor failure.

### Space Required

All dimensions exclude door handle

	Height	Width	Depth
KB-KBC1	930mm	660mm	550mm

### Unit Dimensions

All dimensions exclude door handle

	Height	Width	Depth
KB-KBC1	900mm	600mm	520mm

### Space Required

All dimensions exclude door handle

	Height	Width	Depth
KB-KBC2	930mm	960mm	550mm

### Unit Dimensions

All dimensions exclude door handle

	Height	Width	Depth
KB-KBC2	900mm	900mm	520mm

### Space Required

All dimensions exclude door handle

	Height	Width	Depth
KB-KBC3	960mm	1410mm	550mm

### Unit Dimensions

All dimensions exclude door handle

	Height	Width	Depth
KB-KBC3	900mm	1350mm	520mm

## Sliding door models

### Space Required

All dimensions exclude door handle

	Height	Width	Depth
KB-KBC2SL	930mm	960mm	550mm

### Unit Dimensions

All dimensions exclude door handle

	Height	Width	Depth
KB-KBC2SL	900mm	900mm	520mm

### Space Required

All dimensions exclude door handle

	Height	Width	Depth
KB-KBC3SL	930mm	1410mm	550mm

### Unit Dimensions

All dimensions exclude door handle

	Height	Width	Depth
KB-KBC3SL	900mm	1350mm	520mm

## General Operation

The cabinet door should remain firmly closed during normal operation. This prevents warm moist air entering and creating frost within the cabinet. If the cabinet is left open for extended periods ice will form. This will prevent cooling and the machine will then require defrosting (see page 04).

The unit should be left switched on, and should not be switched off between trading sessions. The unit is designed to operate in an ambient temperature range of 6°C - 25°C, however for short periods of time (up to 8 hours) the unit will operate normally at 32°C. The cabinet is designed to chill product in sealed containers only i.e. bottles, cans etc. It is not recommended that glasses of drink or similar are placed in the unit for cooling.

## Controls

The thermostat control is located below the doors on the front of the appliance . Refrigeration is switched on and off at the mains supply. The light is controlled independently by using the switch located next to the LED strip.

**Warning:** If the supply cord is damaged, the manufacturer, its service agent or similarly qualified person must replace it, in order to avoid a hazard.

## Temperature setting and control

The front panel of the thermostat



Working indicator: on-working; blinking-delay; off-stop.  
Setting indicator: on-setting status; blinking-defrost.

### **Operation instruction:**

#### **1. Modify temperature setting value:**

Under controller normal working status:

- (1) Press SET for more than 3S, setting light on, default display. Press  $\wedge$  or  $\vee$  to modify temperature setting value, press continuously to increase and decrease the setting value.
- (2) Press SET 3S or without operation in 15S to save values to be the normal status.

### 1. Modify parameters setting value:

- (1) Press SET and  $\wedge$  at the same time for 3S, setting light on, enter to menu.
- (2) When F0 code display, press  $\wedge$  or  $\vee$  to change the code from F0 to F8.
- (3) If need to change the parameter, enter to the corresponding code, press SET and the LED displays the current setting value. Press  $\wedge$  or  $\vee$  to modify the value. Press continuously to increase and decrease the setting value.
- (4) Press SET 3S or without operation in 15S to save values to be the normal status.
- (5) Power button: press  $\text{⏻}$  3S to power off, press  $\text{⏻}$  to power on.

### Menu:

Code	Function	Parameter range	Default	Unit
	Temperature setting value		0	
F0	Return difference	1-16	3	°C
F1	Compressor delay protection time	0-8	3	Min
F2	Limit of lower temperature setting value	-50-setting value	-20	°C
F3	Limit of higher temperature setting value	setting value-99	20	°C
F4	Defrost cycle	0-36	6	Hrs
F5	Defrost time	0-99	30	Min
F6	Temperature calibration	-12-12	0	°C
F7	Exceeding Temp. lowest limits alarm	-50-highest limit	-50	°C
F8	Exceeding Temp. highest limits alarm	Lowest limit-99	99	°C

## Cleaning, Care & Maintenance

### *Routine maintenance*

#### ***Disconnect from the power supply before cleaning.***

- Clean the enclosure and interior of the cabinet as often as possible.
- Clean the unit with moist cloth. Never allow the switch, control panel, cable or plug to get wet.

- Do not use abrasive cleaning agents. These can leave harmful residues.
- Use only mild soapy water.
- Clean the door seal with water only.
- Ensure that no cleaning water penetrates into the electrical components.
- Must not be cleaned by a water jet.
- Always wipe dry after cleaning with soft cloth.
- Take care when cleaning the rear of the cabinet.
- An agent or qualified technician must carry out repairs if required.
- If the cabinet is to be left inactive for long periods, unplug the cabinet after having turned the lamp switch to off position, empty the refrigerating compartment and clean thoroughly.

### ***Special maintenance***

The instructions given in the following paragraph are for SKILLED PERSON.

#### Periodic Operations

- Periodically clean the condenser using suitable tools ( vacuum cleaner or soft brush).
- Check that the electrical connection are not loose.
- Check that the thermostat and the sensor are in proper working order.
- Periodically cleaning the condenser can extend the life of the appliance.
- Failure to keep the condenser clean will reduce the refrigeration performance of the cabinet.
- Recommend that an agent or qualified technician clean the condenser.

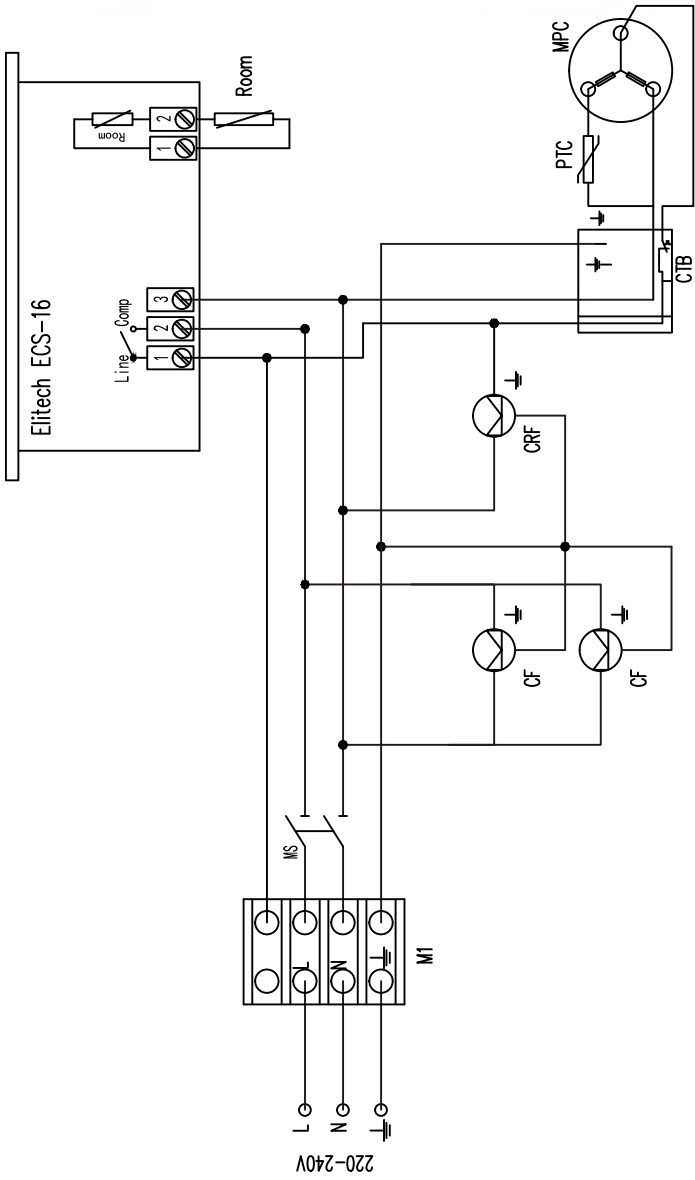
## Troubleshooting

If your appliance develops a fault, please check the following table.

Fault	Probable Cause	Action
The appliance is not working	The unit is not switched on	Check the unit is plugged in correctly
	Plug and lead are damaged	Call your agent or qualified technician
	Fuse in the plug has blown	Replace the fuse (UK Plug)
	Power supply	Check power supply
	Internal wiring fault	Call your agent or qualified technician
	Too much ice on the evaporator	Defrost the appliance
The appliance turns on, but the temperature is too high/ low	Condenser blocked with dust	Call your agent or qualified technician
	Doors are not properly	Check doors are shut and seals are not damaged
	Appliance is located near a heat source or air flow to the condenser is being interrupted	Move the refrigerator to a more suitable location
	Ambient temperature is too high	Increase ventilation or move appliance to a cooler position
	Appliance is overloaded	Reduce the amount of containers in the appliance
	Loose nut/ screw	Check and tighten all nuts and screws
The appliance is unusually loud	The appliance has not been installed in a level or stable position	Check installation position and change if necessary
	The appliance is not properly leveled	Adjust the screw feet to level the appliance
The appliance is leaking water	The discharge outlet is blocked	Clear the discharge outlet
	The water container is damaged	Call your agent or qualified technician



# Circuit Diagram



## End of life disposal

Environmental Protection



Discarded electric appliance are recyclable and should not be discarded in the domestic waste! Please actively support us in conserving resources and protecting the environment by returning this appliance to the collection centres (if available)

## Guarantee

A statutory guarantee applies for this product.

Claim must be submitted immediately after their determination.

The right to guarantee claims expires upon any intervention of the purchaser or third parties. Damages caused by wrong treatment or operation, by false placement or storage, improper connection or installation, as well as force or other external influences are not covered by this guarantee. We recommend careful reading of the operating instructions as it contains important information.

The purchaser must prove the right to guarantee claims by presentation of the purchase receipt.

### Note:

1. In case this product does not function correctly, please firstly check if there are other reasons, e.g. interruption of the power supply, or incorrect handling are the cause.
2. Please note the following documents need to be submitted together with your faulty product:
  - Purchase receipt
  - Model description/ Type/ Brand
  - Describe the fault and problem as detailed as possible

In the case of a claim for guarantee or defects, please contact the seller personally.

**Notes**

