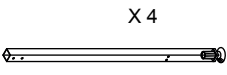
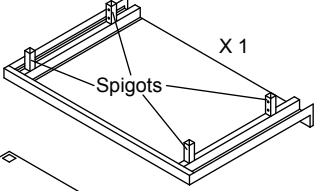
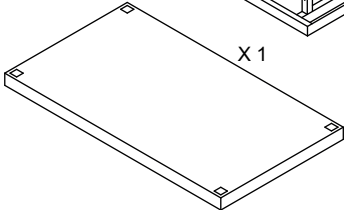
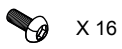




FLAT PACK INSTRUCTIONS






CONTENTS OF PACK

- A - 30 x 30 Stainless steel box section legs with pre drilled holes and feet fitted 
- B - Stainless steel top with bracing channels to underneath and spigots 
- C - Stainless steel shelf 
- D - M5 Stainless steel Allen socket dome headed bolt 
- E - 6mm Stainless steel Washers 
- F - 3mm Allen key 

ASSEMBLY OF TABLE

Instructions

- 1a -  Place the Shelf (part C) on table or floor remembering to protect polished surface from scratches.
 - 1b -  Support shelf on its side and insert the 2 lower legs, line up holes with legs/shelf and screw in dome headed bolt (part D) with washer (part E) and lightly tighten.
 - 1c - Turn over and again support on opposite edge, insert other 2 legs and lightly tighten dome headed bolts and washers.
 - 2a -  Place Top (part B) upside down on floor or table remembering to protect polished surfaces from scratches.
 - 2b - Carefully lift the shelf with legs attached and proceed to guide legs into spigots on the underneath of the top. (As shown in Diagram 2b).
 - 2c - Line up holes and fully tighten all dome headed bolts/washers to legs and secure top to the legs using allen key provided (part F).
 - 3a - Lift table and stand on its feet, move into desired position and level top by rotating adjustable feet to desired height/level.
 - b - Remove all protective coating from top and shelf.
- 