



## E9042 Two Hotplate Boiling Top



### Short Form Specification

Unit to be Falcon F900 Series two hotplate electric boiling top having 2 x 4kW electric cast iron hotplates. Unit to be supplied upon adjustable feet or upon optional base unit.

High performance hotplates will be mounted on hob constructed from 2mm 304 grade stainless steel. Hob will be laser cut with right-angled edges to allow joining of units with no gaps between hobs. Exterior panels are Scotch Brite finish stainless steel. Control knobs to be marked indicating heat positions with a bezel behind each knob to prevent water ingress.

### Key Features

- 2 x high performance 4kW cast iron hotplates
- Each 395mm x 395mm hotplate has 6 heat positions
- Pressed hob wells contain any spillage
- IPX5 rated
- Supplied upon adjustable stainless steel feet
- 2mm thick 304 grade stainless steel hob
- Laser cut hob allows edge to edge joining of units
- Stainless steel external panels with Scotch Brite finish
- Dynamic Link System Compatible



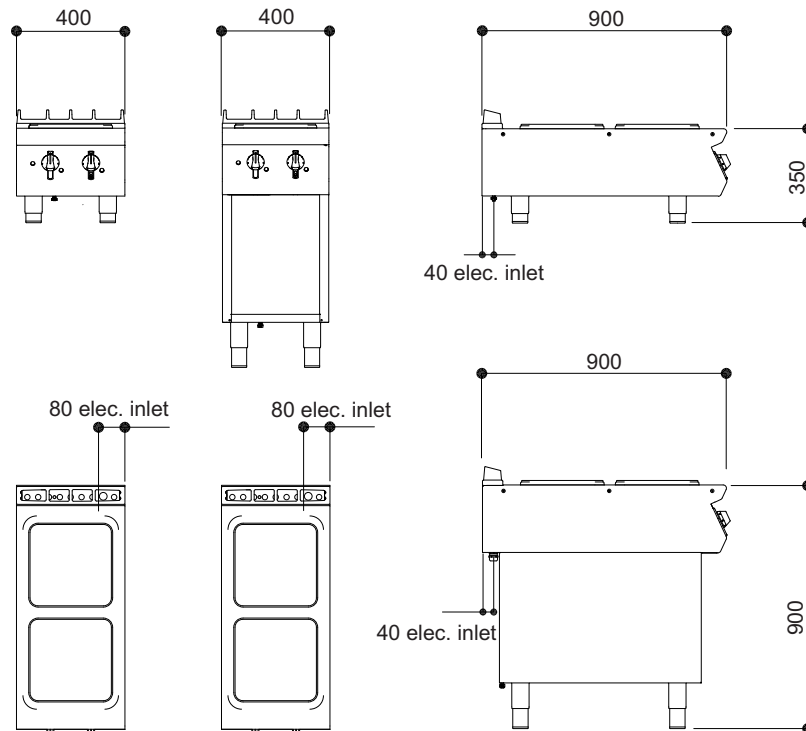
*Integrated linking system allows gap free installation to create a seamless, continuous cookline.  
Patent pending, application no. GB 1511389.7*

### Optional Accessories

- Front hob rail
- Fixed or mobile stand
- Hob extension

## E9042 Two Hotplate Boiling Top

### Model Dimensions (mm)



### Specification Details

Electrical rating (kW)	8
Electrical supply voltage	400V 3N~ 50/60Hz
Required electrical supply (A)	32
Electrical current split (A)	L1: 17.3 , L2: 17.3 , L3: 0
Element rating (kW)	2 x 4
Weight (kg)	40
Weight on stand (kg)	53
Packed weight (kg)	48
Packed weight on stand (kg)	61
Packed dimensions (mm)	450 (w) x 970 (d) x 775 (h)
Packed dimensions on stand (mm)	450 (w) x 970 (d) x 1010 (h)

#### Installation Note:

Please consult local legislation with regard to installation of cooking equipment.