



MODULAR CUBER
MACHINE A GLAÇONS MODULAIRE
MODULARER WÜRFELEISBEREITER
IJSBLOKJESMACHINE MET LOSSE OPSLAGBUNKER
FABRICADOR MODULAR DE CUBITOS DE HIELO
CUBETTATRICE MODULARE

IM-240ANE
IM-240AWNE

INSTALLATION MANUAL NOTICE D'INSTALLATION INSTALLATIONSANLEITUNG INSTALLATIE VOORSCHRIFT MANUAL DE INSTALACION MANUALE PER L'INSTALLAZIONE



FOR QUALIFIED INSTALLER ONLY
RESERVE A L'INSTALLATEUR
FÜR DEN INSTALLATEUR
VOOR DE BEVOEGDE INSTALLATEUR
SOLAMENTE PARA INSTALADOR CUALIFICADO
SOLTANTO PER INSTALLATORI QUALIFICATI

L2E1CP201 (093014)

ENGLISH	IMPORTANT SAFETY INFORMATION.....	1
	1. CONSTRUCTION	2
	2. ACCESSORIES	2
	3. UNPACKING	2
	4. LOCATION	3
	5. INSTALLATION.....	4
	6. ELECTRICAL CONNECTIONS	5
	7. WATER SUPPLY AND DRAIN CONNECTIONS	5
	8. START-UP PROCEDURE	8
	9. FINAL CHECKS	8
FRANCAIS	INFORMATIONS DE SECURITE IMPORTANTES	9
	1. CONSTRUCTION	10
	2. ACCESSOIRES	10
	3. DEBALLAGE	10
	4. EMBLACEMENT	11
	5. INSTALLATION.....	12
	6. BRANCHEMENTS ELECTRIQUES	13
	7. BRANCHEMENTS D'ARRIVEE ET DE VIDANGE D'EAU	14
	8. PROCEDURE DE DEMARRAGE	16
	9. DERNIERS CONTROLES	16
DEUTSCH	WICHTIGE SICHERHEITSHINWEISE	17
	1. KONSTRUKTION.....	18
	2. ZUBEHÖR.....	18
	3. AUSPACKEN	18
	4. AUFSTELLORT.....	19
	5. INSTALLATION.....	20
	6. ELEKTRISCHE ANSCHLÜSSE	21
	7. WASSERZULAUF- UND WASSERABFLUSSANSCHLÜSSE	22
	8. INBETRIEBNAHME	24
	9. ABSCHLUSSTESTS	24
NEDERLANDS	BELANGRIJKE VEILIGHEIDSINFORMATIE	25
	1. CONSTRUCTIE	26
	2. TOEBEHOREN	26
	3. UITPAKKEN	26
	4. PLAATSING	27
	5. INSTALLATIE.....	28
	6. ELEKTRISCHE AANSLUITINGEN	29
	7. AANSLUITING VAN WATERTOEVUER- EN WATERAFVOERLEIDINGEN	30
	8. OPSTARTPROCEDURE	32
	9. LAATSTE CONTROLES	32
ESPAÑOL	INFORMACIÓN IMPORTANTE DE SEGURIDAD	33
	1. CONSTRUCCIÓN	34
	2. ACCESORIOS	34
	3. DESEMBALAJE	34
	4. UBICACIÓN	35
	5. INSTALACIÓN	36
	6. CONEXIONES ELÉCTRICAS	37
	7. SUMINISTRO DE AGUA Y CONEXIONES DE DRENAJE	38
	8. PROCEDIMIENTO DE PUESTA EN MARCHA	40
	9. COMPROBACIONES FINALES.....	40
ITALIANO	INFORMAZIONI IMPORTANTI SULLA SICUREZZA.....	41
	1. COMPONENTI	42
	2. ACCESSORI	42
	3. DISIMBALLAGGIO.....	42
	4. UBICAZIONE	43
	5. INSTALLAZIONE	44
	6. COLLEGAMENTI ELETTRICI	45
	7. COLLEGAMENTO DI ALIMENTAZIONE DELL'ACQUA E COLLEGAMENTO DI SCARICO	46
	8. PROCEDURA D'AVVIO	48
	9. CONTROLLI FINALI.....	48

IMPORTANT SAFETY INFORMATION

Throughout this manual, notices appear to bring your attention to situations which could result in death, serious injury, or damage to the unit.

▲WARNING	Indicates a hazardous situation which, if not avoided, could result in death or serious injury.
▲CAUTION	Indicates a hazardous situation which, if not avoided, could result in minor or moderate injury.
NOTICE	Indicates a hazardous situation which, if not avoided, could result in damage to the unit.
▲HYGIENE	Indicates important precautions for hygiene and food safety.
IMPORTANT	Indicates important information about the use and care of the unit.

IMPORTANT

In order to carry out safe and proper installation of the product, please read this booklet carefully beforehand and follow the instructions contained within.

On completion of the installation, start up the icemaker to check for any abnormalities. Instruct the user on how to use and maintain the icemaker in accordance with the instruction manual.

This booklet should be handed over to the user after the installation and be preserved by the user together with the instruction manual for any further consultation that may be necessary.

▲WARNING

This is a commercial icemaker, and should be destined only to be used for the purpose for which it has been expressly designed and attached to a suitable storage bin as specified by Hoshizaki.

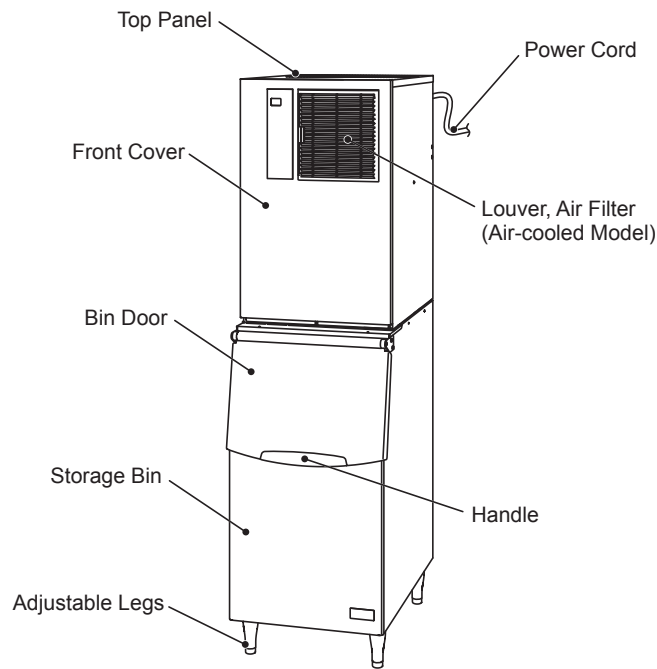
Any other use should be considered improper and therefore dangerous. The manufacturer will not be held liable or responsible for any damage caused by improper, incorrect and unreasonable use.

The installation, and relocation if necessary, must be carried out by qualified personnel, in accordance with current regulations, according to the manufacturer's instructions.

Keep ventilation openings, in the appliance enclosure or in the built-in structure, clear of obstruction.

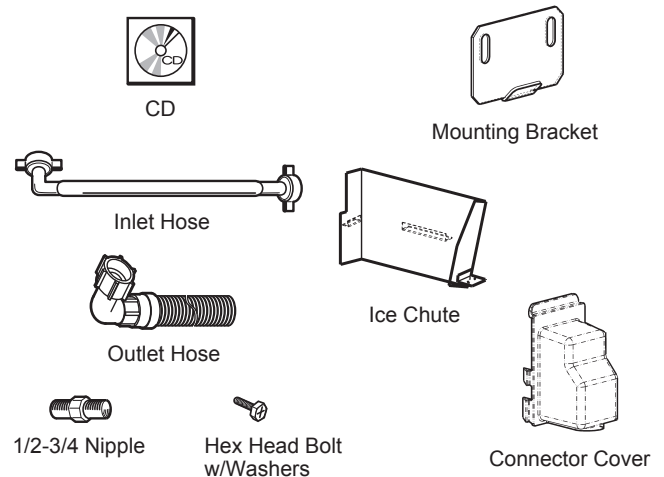
ENGLISH

1. CONSTRUCTION



2. ACCESSORIES

	IM-240ANE	IM-240AWNE
CD	1	1
Inlet Hose	1	2
Outlet Hose	1	2
1/2-3/4 Nipple	-	2
Mounting Bracket	2	2
Hex Head Bolt M5 w/Washers	2	2
Ice Chute	1	1
Hex Head Bolt M4 w/Washers	2	2
Connector Cover	1	1



3. UNPACKING

⚠ WARNING

Children should not be allowed in reach of the packaging elements (plastic bags and expanded polystyrene) as they are potential sources of danger.

⚠ CAUTION

Do not lift or manoeuvre the carton by using the shipping bands.

When moving the unit by hand, remove the panels and hold the unit frame.

Always wear protective gloves when carrying the unit.

When handling the carton or the unpacked unit, work in pair to prevent injury.

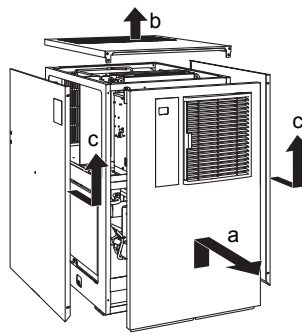
NOTICE

Remove shipping carton, tape(s) and packing. If packing material is left in the icemaker, it will not work properly.

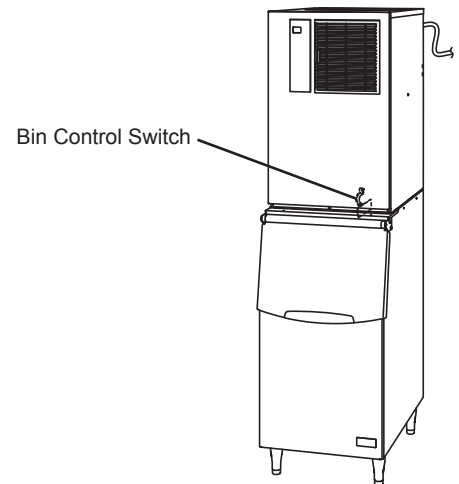
Note: This icemaker needs a storage bin. Hoshizaki recommends the following ice storage bins:

- B301SA-----IM-240ANE
- B501SA (Top Kit 8D) -----IM-240ANE
- B801SA (Top Kit 4DM)-----IM-240ANE x 2

- 1) After removing the packaging, make sure that the icemaker and the storage bin are in good condition. If in doubt, please do not use the icemaker but apply to professionally qualified personnel. See the instruction sheet attached to the storage bin for its unpacking and installation guidelines.
- 2) Remove the icemaker panels to gain access to the accessory kit and to assist easier installation.
- 3) Remove the package of accessories. Check the contents according to "2. ACCESSORIES".
- 4) Remove the shipping tape holding the bin control switch.
- 5) Remove the protective plastic film from the exterior. If the icemaker is exposed to the sun or to heat, remove the film after the icemaker cools.



- a) Front Cover: Remove the screw(s). Lift up and pull toward you.
- b) Top Panel: Remove the screw(s). Simply lift off.
- c) Side Panel: Remove the screw(s). Slide forward slightly, and then lift off.
- d) Rear Panel: Does not require removal.



4. LOCATION

⚠ WARNING

This icemaker is not intended for outdoor use.

The icemaker should not be located next to ovens, grills or other high heat producing equipment.

This appliance is not suitable for installation in an area where a water jet could be used.

⚠ CAUTION

The location should provide a firm and level foundation for the icemaker.

NOTICE

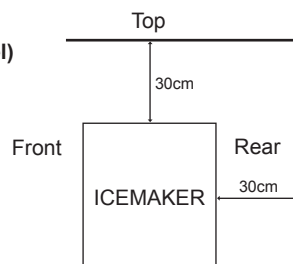
Do not place anything on top of the icemaker or in front of the louver.

IMPORTANT

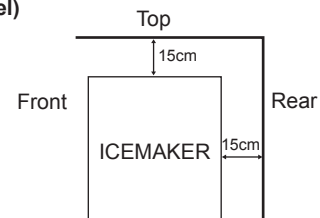
Normal operating ambient temperature should be within 1°C to 40°C. Water connection is cold water only. Operation of the icemaker, for extended periods, outside of these normal temperature ranges may affect production capacity.

Allow the clearance specified below for proper air circulation and ease of maintenance and/or service should they be required.

**Side View
(Air-cooled model)**



**Side View
(Water-cooled model)**



In some high humidity environments, condensation may form inside the machine and drip onto the floor. Do not install where the floor can be affected by water.

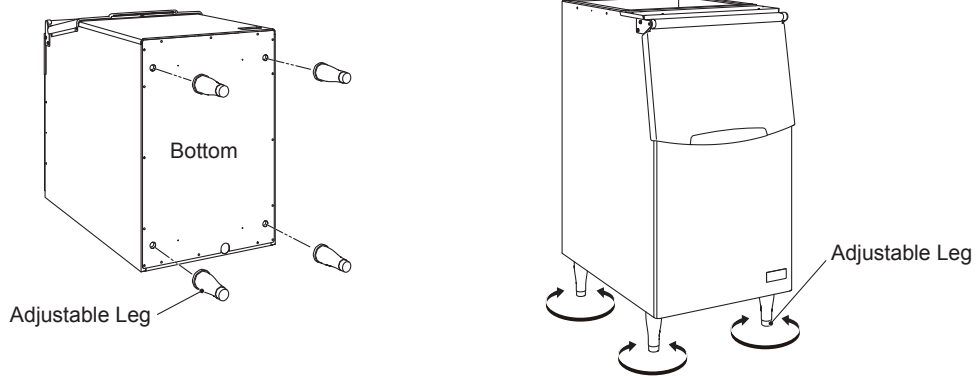
ENGLISH

5. INSTALLATION

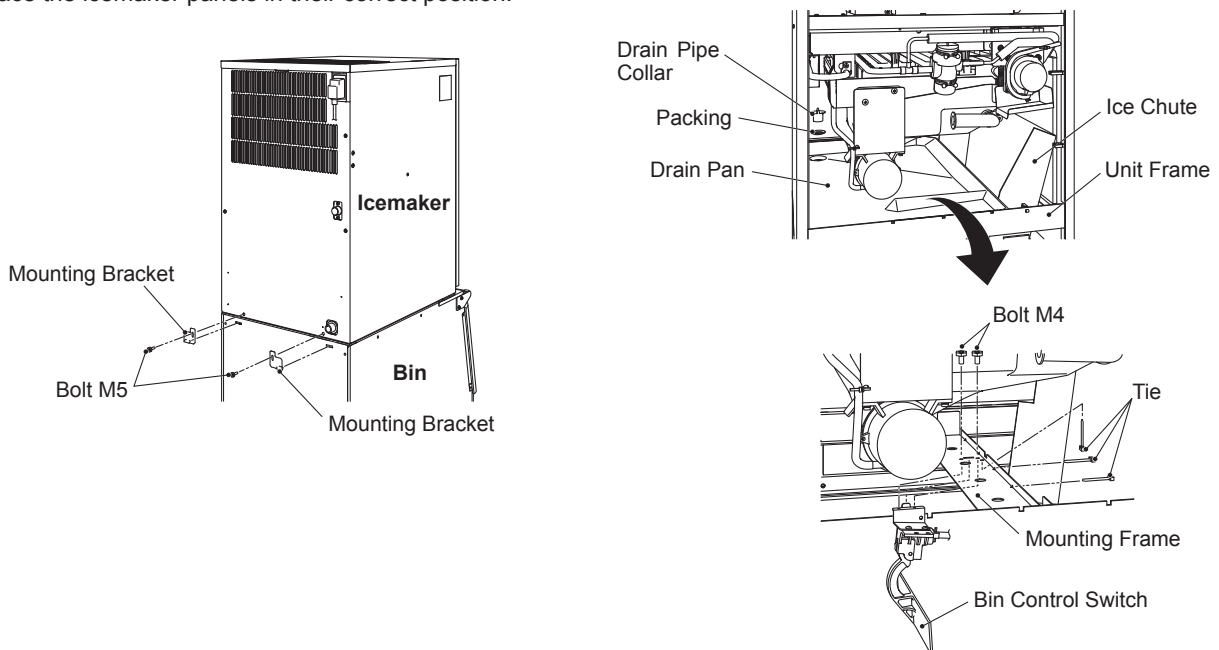
⚠ CAUTION

Incorrect installation can cause harm to people, animals or other items, for which the manufacturer cannot be held responsible.

- 1) Lay the storage bin on its rear side carefully to prevent damage. Secure the four adjustable legs (bin accessory) into the four tapped holes on the underside of the bin.
- 2) Position the storage bin in the selected permanent position, and level it in both the left-to-right and front-to-rear directions.



- 3) Remove the icemaker panels. The rear panel is not required to be removed for installation. See "3. UNPACKING".
- 4) Place the icemaker on the top of the storage bin by holding the bottom.
- 5) Secure the icemaker to the storage bin at the rear, by using the mounting brackets and bolts provided.
- 6) Seal the seam between the icemaker and the storage bin with food grade sealant.
- 7) Remove the drain pipe collar and drain pan. Secure the bin control switch to the mounting frame using the two bolts provided. Fix the bin control switch wiring with the two nylon ties. Place the ice chute on the unit frame, and refit the drain pan in its correct position.
- 8) Replace the icemaker panels in their correct position.



6. ELECTRICAL CONNECTIONS

⚠ WARNING

THIS APPLIANCE MUST BE EARTHED

This icemaker requires an earth that meets the national and local electrical code requirements.

To prevent possible severe electrical shock to individuals or extensive damage to the unit, install a proper earth wire to the icemaker.

Disconnect the main power supply before any maintenance, repairs or cleaning is undertaken.

- * This appliance requires a separate 220 - 240VAC, 13A supply. The electrical supply must be protected by a suitable circuit breaker.
- * Icemakers installed side by side should each have a separate receptacle, but they must all be connected in parallel to the same single phase supply or circuit with sufficient ampacity.
- * The main control box fuse is rated at 5A and should only be replaced by a qualified service engineer.
- * Usually an electrical permit and services of a licensed electrician are required.
- * If the supply cord is damaged, it must be replaced by a replacement cord available from Hoshizaki Parts/Service Centres.
- * In accordance with the requirement of the IEC standard, the maximum permissible system impedance (Z_{max}) at the interface point of the power supply to be connected with this icemaker must be $0.23+j0.23$ ohm. Determine in consultation with the supply authority, if necessary, that the icemaker is connected only to a supply of $0.23+j0.23$ ohm or less.

For the U.K. and the Republic of Ireland only

- * The wires in the mains lead are coloured in accordance with the following code:

Green & Yellow = Earth

Blue = Neutral

Brown = Live

As the colours of the wire in the mains lead of this appliance may not correspond with the coloured markings identifying the terminals in your plug, proceed as follows:

The wire which is coloured Green-and-Yellow must be connected to the terminal in the plug which is marked with the letter E or by the symbol \perp or coloured Green or Green-and-Yellow. The wire which is coloured Blue must be connected to the terminal which is marked with the letter N or coloured Black. The wire which is coloured Brown must be connected to the terminal which is marked with the letter L or coloured Red.

- * Should the socket outlets in the installation site not be suitable for the plug supplied with your product, the plug must be removed (cut off if it is moulded on plug) and an appropriate plug fitted.

If the non-rewirable plug has been cut from the power supply cord, it must be disposed of. There should be no attempt to reuse it. Inserting such a plug into a socket elsewhere presents a serious risk of electrical shock.

- * The non-rewirable plug must never be used without a fuse cover being fitted.

The correct replacement for the detachable fuse cover is identifiable from the manufacturer's reference number stamped on the plug.

Supply of replacement fuse covers can be obtained from Hoshizaki Parts/Service Centres.

Fuses should be rated at 13A and approved to BS 1362.

7. WATER SUPPLY AND DRAIN CONNECTIONS

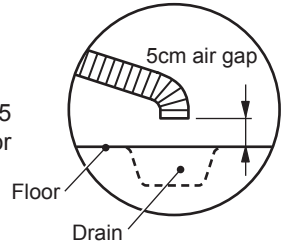
⚠ WARNING

Connect to potable cold water supply only.

- * The connections to the mains water supply must be made in accordance with the countries' current requirements of the Water Supply or Water Fittings Regulations.

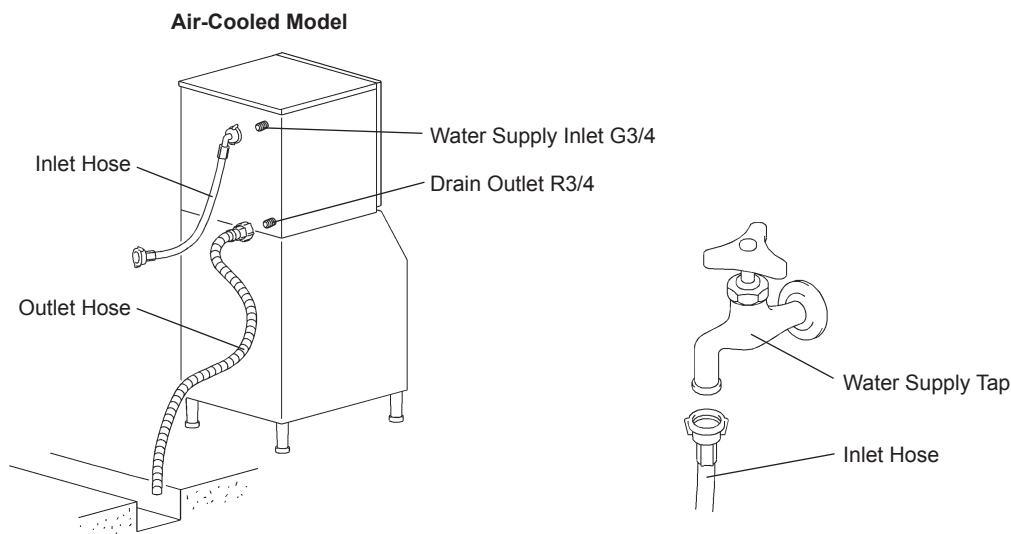
ENGLISH

- * Icemaking water must be potable water. Where scaling can be caused by water quality:
 - Installation of an external filter or softener is recommended. Contact your local water treatment professional or Hoshizaki service agent.
 - Change to the "full drain flush" mode is recommended. Contact your local Hoshizaki service agent.
- * Water supply pressure should be minimum 0.07 MPa (0.7 bar) and maximum 0.78 MPa (8 bar). If the pressure exceeds 0.78 MPa (8 bar), use a proper pressure reducing valve. Do **NOT** throttle back the supply tap.
- * A plumbing permit and services of a licensed plumber may be required in some areas.
- * The icemaker drain is gravity flow, so ensure drain hose has an adequate pitch or fall.
- * Drain lines should not be installed directly to the sewer system. A vertical air gap of a minimum of 5 cm should be between the end of the drain hoses from the icemaker and storage bin and the floor drain.
- * Prevent a backflow into the storage bin.
- * On water-cooled model, a back flow preventer may be required in the cooling water circuit.
- * Be sure to use the new hose-sets supplied with the appliance. Do not reuse any old hose-sets.



[Air-Cooled Model]

- 1) Attach the angled end of flexible inlet hose (accessory) to the G3/4 fitting on the rear of the icemaker as indicated, ensuring rubber sealing washer is correctly positioned. Hand tighten sufficiently to provide leak free joint.
- 2) Attach the other end of inlet hose to the water tap, noting washer is correctly positioned before hand tightening as above. It is a wise precaution to have a stop valve within easy reach.
- 3) Hand tighten grey flexible outlet hose (accessory) onto the R3/4 fitting on the rear of the icemaker as indicated, ensuring rubber washer is correctly positioned to obtain a leak free joint. The hose can be cut to length as necessary to suit position of main drain.



[Water-Cooled Model]

- * Hoshizaki recommends that the water-cooled condenser should be connected to a closed circuit recirculating type cooling system utilizing a tower, water chiller or similar. Water make up should be via a ball valve/break tank arrangement.
- * Whilst connecting a water-cooled condenser to a mains water (potable) supply will not affect the performance of the machine, it will most certainly cause a high use/waste of a valuable resource and is not recommended.
- * The services of a licensed or coded plumber should be used to ensure a correct installation.
- * The connections should be made properly in compliance with the applicable national or local regulations.

[a] Standard connections according to WRAS regulations in U.K.

* When selecting a cooling tower, refer to the following peak values of heat flow in the condenser:

Model IM-240AW: 5235 W

* Pipes between the cooling tower and the icemaker should be at least 20 mm DIA to reduce pressure loss, even though the icemaker fittings are 13 mm DIA.

* Pressure loss in the water circuit inside the unit will be 5 to 6 m when the cooling water flows at the ratio of 4 to 5 lit/min.

* Select a circulating pump referring to the above values of heat flow.

* Do not use a cascade pump, or the water regulator will vary the flow and stop it during the defrost cycle.

[Icemaker Connections]

1) Attach the angled end of flexible inlet hose (accessory) to the G3/4 fitting on the rear of the icemaker as indicated, ensuring rubber sealing washer is correctly positioned. Hand tighten sufficiently to provide leak free joint.

2) Attach the other end of inlet hose to the water tap, noting washer is correctly positioned before hand tightening as above.

Note: If filtration or treatment is used, ensure icemaker section only is on treated water supply, not the condenser.

3) Attach grey flexible outlet hose (accessory) to the R3/4 fitting on the rear of the icemaker as indicated, confirming fitment of rubber washer before finally hand tightening the joint. This hose can be cut to length as necessary to suit position of main drain.

4) By means of a suitable spanner or wrench, tighten the 1/2-3/4 nipples (accessory) into the Rc1/2 fittings on the rear of the icemaker as indicated. P.T.F.E. tape and/or a suitable sealing compound should be used to obtain a leak free joint.

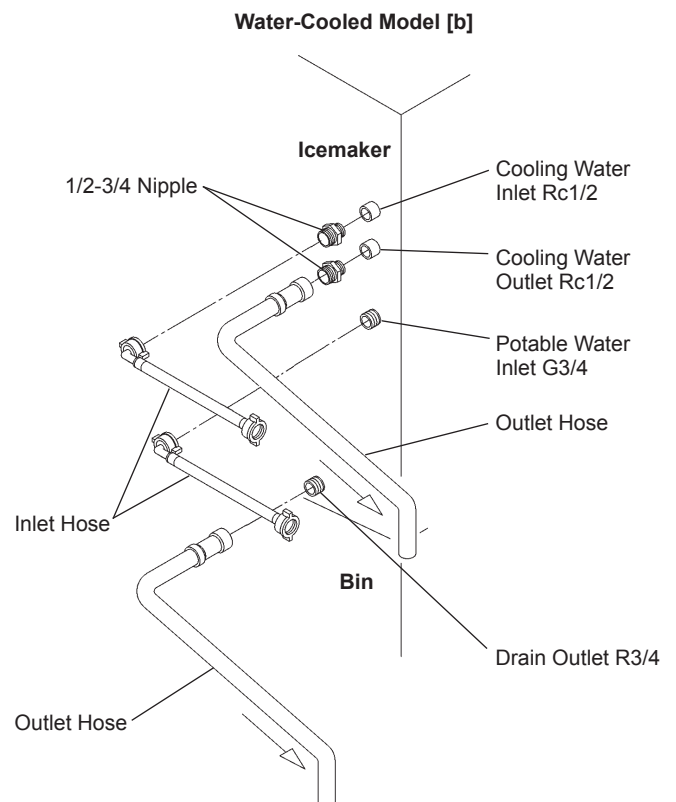
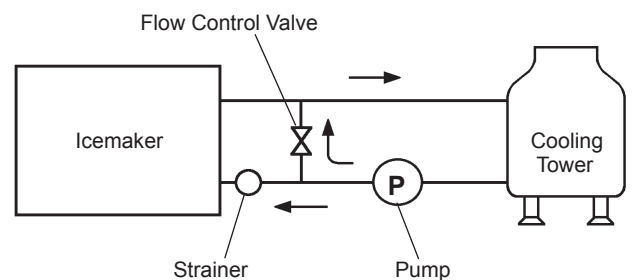
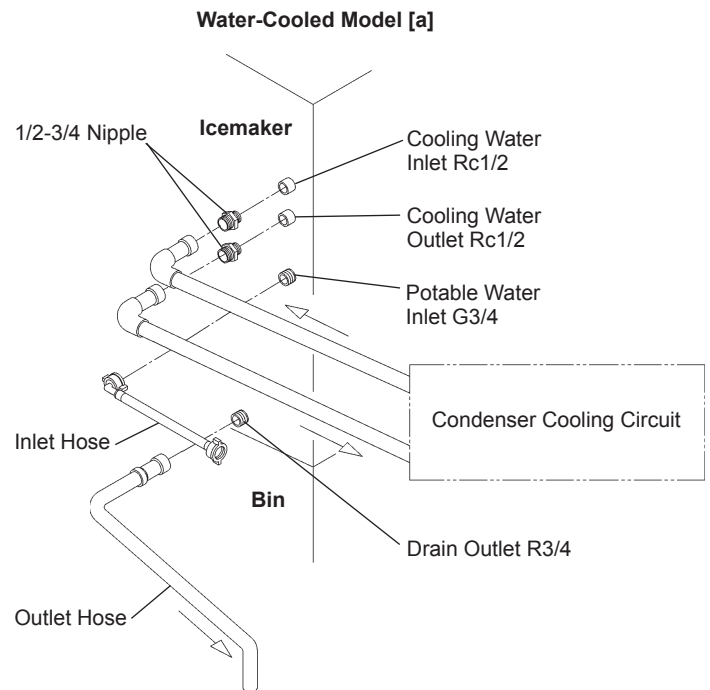
Note: Jointing compounds should be approved and suitable for potable water use.

5) Connect the condenser cooling circuit to the free end of 1/2-3/4 nipples as indicated using a suitable rigid type pipe.

[b] Connections according to regulations other than WRAS by utilising accessory hoses

1) Follow the instructions from 1) to 4) in [a] above.

2) For condenser connections, use supplied accessory hoses and make the same connections as 1) to 3) in [a] above to the free end of 1/2-3/4 nipples as indicated.



ENGLISH

8. START-UP PROCEDURE

- 1) Open the water tap.
- 2) Connect the power supply and energise.
- 3) The display indicates “on”.
- 4) The following should occur in sequence:
 - a) Hot gas valve will open.
 - b) Compressor will start after 30 seconds.
 - c) Water pan will fully open.
 - d) Water solenoid will open.
 - e) Water pan will start to close (hot gas valve closed).
 - f) Water pan fully closed - pump motor will start.
 - g) Water solenoid will close.

▲HYGIENE
Check the conditions and quality of the ice production.
Do not use ice produced in the trial run. It might be contaminated with foreign matter in the water circuit. Discard or flush down the drain.
Clean the storage bin before use (see “III. 1. CLEANING” in instruction manual).

9. FINAL CHECKS

- 1) Check for correct supply voltage.
- 2) Check that the icemaker is properly earthed.
- 3) Check that the icemaker is free from vibration.
- 4) Check that all the panels are fixed and secure.
- 5) Check for proper operation according to “8. START-UP PROCEDURE”.
- 6) Check the water supply and drain connections for water leaks.
- 7) Instruct the user on correct machine use. Hand the instruction manual to the user.

INFORMATIONS DE SECURITE IMPORTANTES

Tout au long de ce manuel, des avis attirent votre attention sur des situations qui pourraient entraîner la mort, des blessures graves ou des dégâts à l'appareil.

▲AVERTISSEMENT	Signale une situation dangereuse qui, si elle n'est pas évitée, peut entraîner des blessures graves voire mortelles.
▲ATTENTION	Signale une situation dangereuse qui, si elle n'est pas évitée, peut entraîner des blessures mineures ou modérées.
AVIS	Signale une situation dangereuse qui, si elle n'est pas évitée, peut entraîner des dégâts à l'appareil.
▲HYGIENE	Signale des précautions importantes à prendre en matière d'hygiène et de sécurité alimentaire.
IMPORTANT	Signale des informations importantes sur l'utilisation de l'appareil et son entretien.

IMPORTANT

Afin d'installer correctement le produit avec toutes les garanties de sécurité, veuillez d'abord lire attentivement cette notice et suivez soigneusement les instructions.

A la fin de l'installation, mettre la machine à glace en service pour vérifier l'absence d'anomalies. Indiquer à l'utilisateur comment utiliser et entretenir la machine à glace conformément à la notice d'utilisation.

Cette notice doit être remise à l'utilisateur après l'installation et conservée par ce dernier avec la Notice d'utilisation pour consultation ultérieure éventuelle.

▲AVERTISSEMENT

Cette machine à glace a été conçue pour des applications commerciales ; elle ne peut être utilisée qu'aux fins auxquelles elle est expressément destinée, et fournie avec un bac de stockage adapté tel que spécifié par Hoshizaki.

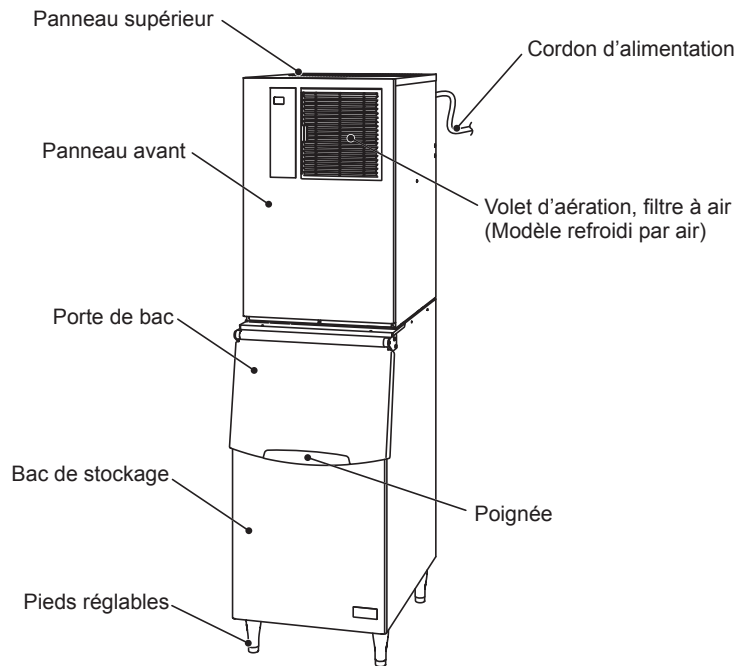
Toute autre utilisation doit être considérée comme inappropriée et donc dangereuse. Le fabricant décline toute responsabilité pour les dégâts provoqués par une utilisation inappropriée, incorrecte et abusive.

L'installation, et le transfert le cas échéant, doivent être effectués par un personnel qualifié, conformément aux réglementations en vigueur et aux consignes du fabricant.

Veillez à ce que les ouvertures de ventilation de l'enceinte de l'appareil et de la structure intégrée ne soient pas obstruées.

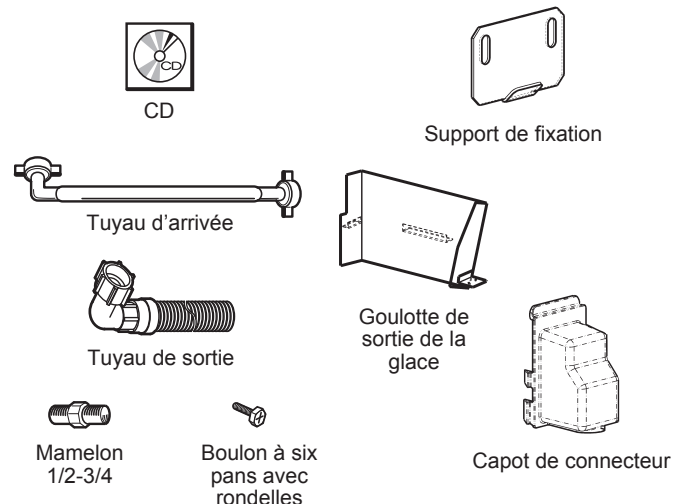
FRANCAIS

1. CONSTRUCTION



2. ACCESSOIRES

	IM-240ANE	IM-240AWNE
CD	1	1
Tuyau d'arrivée	1	2
Tuyau de sortie	1	2
Mamelon 1/2-3/4	-	2
Support de fixation	2	2
Boulon à six pans M5 avec rondelles	2	2
Goulotte de sortie de la glace	1	1
Boulon à six pans M4 avec rondelles	2	2
Capot de connecteur	1	1



3. DEBALLAGE

⚠ AVERTISSEMENT

Les enfants doivent être tenus à l'écart des éléments d'emballage (sacs en plastique et polystyrène expansé) car ils constituent des sources de danger potentielles.

⚠ ATTENTION

Ne pas soulever ou déplacer le carton en utilisant les sangles d'emballage.

En cas de déplacement de l'appareil à la main, retirer les panneaux et tenir le châssis de l'appareil.

Toujours porter des gants de protection lors du transport de l'appareil.

Lors de la manipulation du carton ou de l'appareil déballé, travailler à deux pour éviter les blessures.

AVIS

Enlever le carton de transport, le ruban adhésif et le matériel d'emballage. S'il reste des matériaux d'emballage dans la machine à glace, elle ne fonctionnera pas correctement.

Remarque : Cette machine à glace doit être équipée d'un bac de stockage. Hoshizaki recommande l'utilisation des bacs de stockage suivants :

- B301SA-----IM-240ANE
- B501SA (Kit supérieur 8D)-----IM-240ANE
- B801SA (Kit supérieur 4DM)-----IM-240ANE x 2

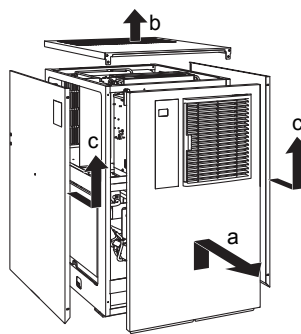
1) Après avoir enlevé les matériaux d'emballage, vérifier que la machine à glace et le bac de stockage sont en bon état. En cas de doute, ne pas utiliser la machine à glace et faire appel à un technicien qualifié. Voir les instructions de déballage et d'installation de la machine qui sont fixées au bac de stockage.

2) Retirer les panneaux de la machine à glace afin d'accéder au kit d'accessoires, et pour une installation plus facile.

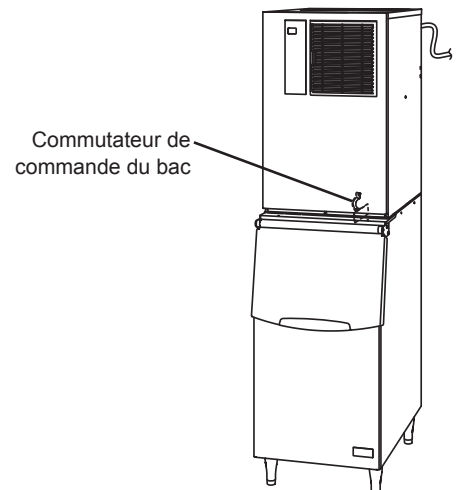
3) Retirer le paquet d'accessoires. Vérifier le contenu conformément à « 2. ACCESSOIRES ».

4) Retirer le ruban d'emballage retenant le commutateur de commande de bac.

5) Retirer le film protecteur en plastique recouvrant l'extérieur. Si la machine à glace a été exposée au soleil ou à la chaleur, la laisser refroidir avant d'enlever le film.



- a) Panneau avant : Déposer les vis. Soulever et tirer vers soi.
- b) Panneau supérieur : Déposer les vis. Soulever.
- c) Panneau latéral : Déposer les vis. Faire légèrement coulisser vers l'avant, puis soulever.
- d) Panneau arrière : Il n'est pas nécessaire de le retirer.



4. EMPLACEMENT

⚠ AVERTISSEMENT

Cette machine à glace n'est pas conçue pour être utilisée à l'extérieur.

La machine à glace ne doit pas être placée à proximité de fours, de grills ou de toute autre source de chaleur importante.

Cet appareil n'est pas conçu pour être installé dans une zone où un jet d'eau peut être utilisé.

⚠ ATTENTION

La machine à glace doit avoir une assise solide et horizontale.

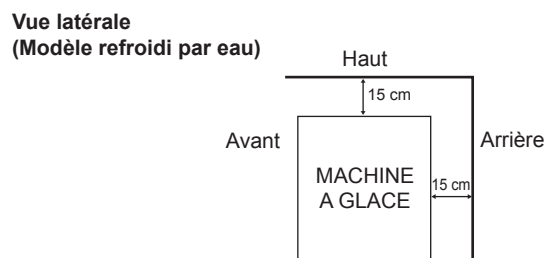
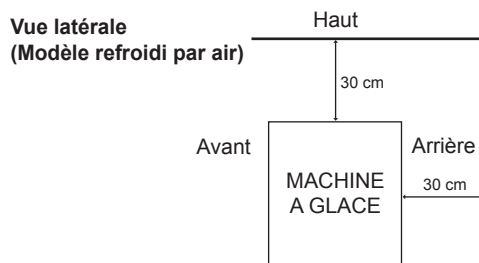
AVIS

Ne rien poser sur le dessus de la machine ni devant le volet d'aération.

IMPORTANT

La température ambiante normale de service doit être comprise entre 1 °C et 40 °C. Le raccordement à l'eau est uniquement pour de l'eau froide. Le fonctionnement de la machine en dehors de ces plages de températures, pendant des durées prolongées, risque d'affecter la capacité de production de glaçons.

Pour assurer une bonne circulation d'air et faciliter les opérations de maintenance ou d'entretien, prévoir le dégagement indiqué ci-dessous.



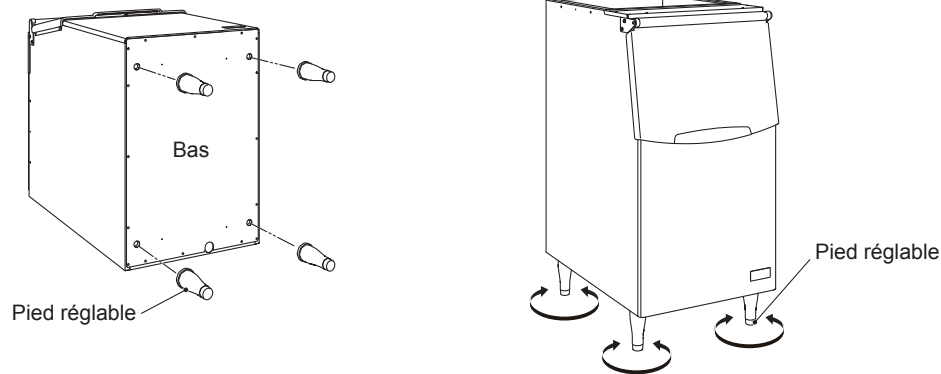
Dans certains environnements très humides, de la condensation peut se former à l'intérieur de la machine et couler sur le sol. Ne pas installer l'appareil sur un sol que l'eau pourrait endommager.

5. INSTALLATION

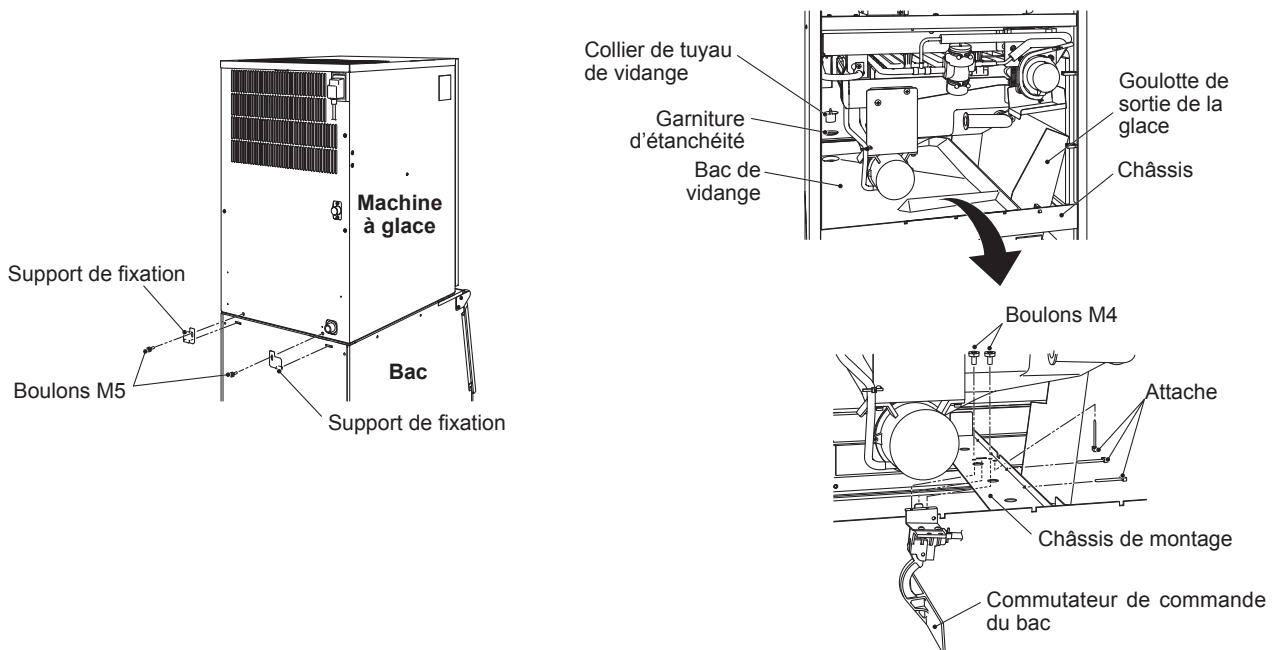
⚠ ATTENTION

Une installation incorrecte de la machine peut avoir des conséquences néfastes sur les personnes, les animaux ou d'autres choses, pour lesquelles le fabricant ne peut être tenu responsable.

- 1) Coucher le bac de stockage sur l'arrière en veillant à ne pas l'endommager. Fixer les quatre pieds réglables (accessoires de bac) dans les quatre orifices taraudés situés sous le bac.
- 2) Positionner le bac de stockage dans l'emplacement permanent choisi, puis le mettre à niveau dans le sens latéral et dans la profondeur.



- 3) Retirer les panneaux de la machine à glace. Il n'est pas nécessaire de retirer le panneau arrière lors de l'installation. Voir « 3. DEBALLAGE ».
- 4) Placer la machine à glace au-dessus du bac de stockage en tenant sa partie inférieure.
- 5) Fixer la machine à glace sur le bac de stockage par l'arrière en utilisant les supports de fixation et les boulons fournis.
- 6) Sceller le joint entre la machine à glace et le bac de stockage au moyen d'un mastic d'étanchéité répondant aux normes de l'industrie alimentaire.
- 7) Retirer le collier de tuyau de vidange et le bac de vidange. Fixer le commutateur de commande de bac au châssis de montage à l'aide des deux boulons fournis. Attacher le câble du commutateur de commande du bac à l'aide des deux colliers de nylon. Placer la goulotte de sortie de la glace sur le châssis et replacer le bac de vidange dans sa position correcte.
- 8) Replacer les panneaux de la machine à glace à leur position initiale.



6. BRANCHEMENTS ELECTRIQUES

⚠ AVERTISSEMENT

CET APPAREIL DOIT ETRE MIS A LA TERRE

Cette machine à glace doit avoir une mise à la terre qui respecte les réglementations électriques nationales et locales.

Pour éviter tout risque de décharges électriques graves ou de dégâts importants à l'appareil, installer un câble de mise à la terre approprié sur la machine.

Avant toute opération de maintenance, réparation ou nettoyage, débrancher l'alimentation électrique.

- * Cet appareil nécessite une alimentation 220 - 240 V CA 13 A séparée. L'alimentation électrique doit être protégée par un disjoncteur approprié.
- * Les machines à glace installées les unes à côté des autres doivent toutes être équipées d'un connecteur séparé, mais elles doivent toutes être branchées en parallèle à la même alimentation/au même circuit monophasé(e) offrant une intensité admissible suffisante.
- * Le fusible du boîtier de commande principal est étalonné à 5 A et ne doit être remplacé que par un technicien d'entretien qualifié.
- * En général, l'installation nécessite une autorisation pour travaux électriques et les services d'un électricien qualifié.
- * Si le cordon d'alimentation est endommagé, il doit être remplacé par un cordon de rechange disponible auprès des centres de pièces détachées et d'entretien Hoshizaki.
- * Conformément aux exigences de la norme IEC, l'impédance maximale admise du système (Z_{max}) au point d'interface de l'alimentation électrique à connecter à cette machine à glace doit être de $0,23+j0,23$ ohm. S'assurer en concertation avec le fournisseur d'électricité, si nécessaire, que la machine à glace est raccordée uniquement à une alimentation de $0,23+j0,23$ ohm ou moins.

Pour le Royaume-Uni et la République d'Irlande uniquement

- * Les fils du cordon d'alimentation électrique présentent le codage couleur suivant :

Vert et jaune = Terre

Bleu = Neutre

Marron = Sous tension

La couleur des conducteurs du cordon d'alimentation de cet appareil peut ne pas correspondre au marquage couleur des bornes de votre fiche ; dans ce cas, procéder comme suit :

Le fil vert et jaune doit être relié à la borne de la fiche repérée par la lettre E ou par le symbole \perp ou la couleur verte ou verte et jaune. Le conducteur bleu doit être raccordé à la borne portant la lettre N ou de couleur noire. Le conducteur marron doit être raccordé à la borne portant la lettre L ou de couleur rouge.

- * Si la fiche livrée avec la machine ne convient pas aux prises du local d'installation, l'enlever (la couper s'il s'agit d'une fiche moulée) et en monter une autre.

Une fiche non recâblable enlevée doit être jetée. Elle ne peut en aucun cas être réutilisée. L'insertion de ce type de fiche dans une autre prise présente des risques graves de décharges électriques.

- * La fiche non recâblable ne doit jamais être utilisée sans un protège-fusible.

Le numéro de référence du protège-fusible amovible est imprimé sur la fiche. Utiliser cette référence pour toute commande de pièce.

Il est possible de se procurer des protège-fusibles de remplacement auprès des centres de pièces détachées et d'entretien Hoshizaki.

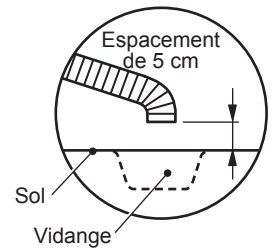
La capacité nominale des fusibles doit être de 13 A ; ils doivent être agréés selon la norme BS 1362.

7. BRANCHEMENTS D'ARRIVEE ET DE VIDANGE D'EAU

⚠ AVERTISSEMENT

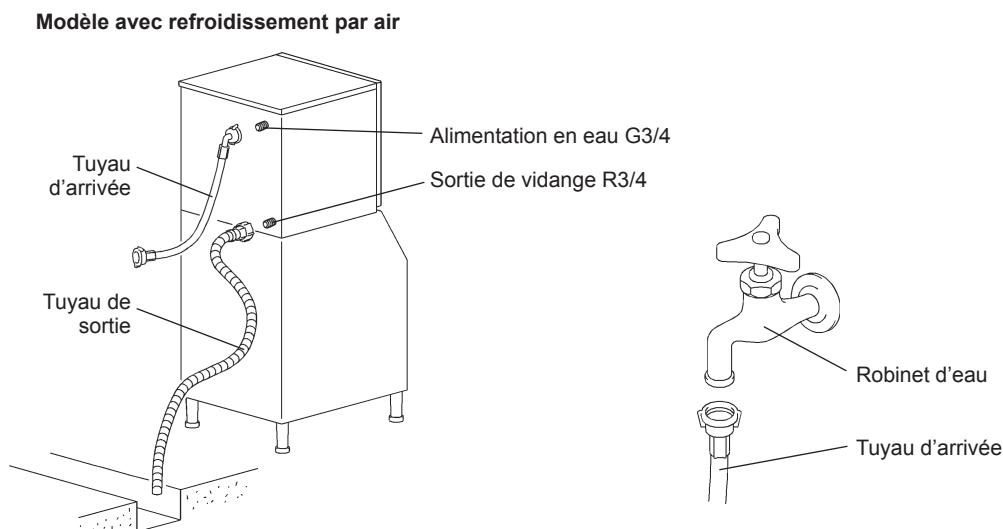
Raccorder à l'arrivée d'eau potable froide uniquement.

- * Les raccordements à l'alimentation en eau du réseau doivent être réalisés conformément aux exigences nationales en vigueur des réglementations sur l'alimentation en eau ou les raccords.
- * L'eau utilisée pour la fabrication de la glace doit être potable. Là où la qualité de l'eau peut entraîner la formation de calcaire :
 - L'installation d'un filtre externe ou d'un adoucisseur est recommandée. Contactez le professionnel du traitement de l'eau ou l'agent de service Hoshizaki local.
 - L'utilisation du mode de rinçage complet du circuit de vidange est recommandée. Contactez l'agent de service Hoshizaki local.
- * La pression de l'alimentation en eau doit être de 0,07 MPa (0,7 bar) au minimum et de 0,78 MPa (8 bar) au maximum. Si la pression dépasse 0,78 MPa (8 bar), utiliser un réducteur de pression approprié. Ne PAS réduire le débit du robinet d'alimentation.
- * Dans certaines régions, il est possible qu'il faille obtenir une autorisation pour effectuer les travaux de plomberie et avoir recours aux services d'un plombier autorisé.
- * La vidange d'eau de la machine à glace s'effectue par gravité : le tuyau de vidange doit donc avoir une inclinaison ou une hauteur de chute suffisantes.
- * Les tuyaux de vidange ne doivent pas être reliés directement à l'égout. L'extrémité des tuyaux de vidange de la machine à glace doit être espacée d'au moins 5 cm à la verticale par rapport au bac de stockage et à l'évacuation de sol.
- * Eviter tout retour d'eau dans le bac de stockage.
- * Sur les modèles avec refroidissement par eau, la pose d'un clapet anti-refoulement peut être nécessaire dans le circuit d'eau de refroidissement.
- * Veiller à utiliser les jeux de tuyaux neufs fournis avec l'appareil. Ne pas réutiliser les anciens jeux de tuyaux.



[Modèle avec refroidissement par air]

- 1) Raccorder l'extrémité coudée du tuyau d'arrivée d'eau (accessoire) au raccord G3/4 à l'arrière de la machine à glace comme indiqué en veillant à placer correctement la rondelle d'étanchéité en caoutchouc. Serrer manuellement de manière à obtenir un raccordement étanche.
- 2) Fixer l'autre extrémité du flexible d'arrivée au robinet d'eau, en veillant à ce que la rondelle soit correctement positionnée, avant de serrer manuellement comme ci-dessus. Il est prudent d'avoir un robinet d'arrêt à proximité.
- 3) Serrer à la main le tuyau de vidange gris (accessoire) au raccord R3/4 à l'arrière de la machine à glace comme indiqué en veillant à placer correctement la rondelle d'étanchéité en caoutchouc pour obtenir un joint étanche. Le tuyau peut être coupé à la longueur voulue en fonction de la position de vidange principale.



[Modèle avec refroidissement par eau]

- * Hoshizaki recommande de raccorder le condenseur refroidi par eau à un système de refroidissement du type à circuit fermé de recyclage comportant une tour, un refroidisseur d'eau ou élément assimilé. L'approvisionnement en eau doit se faire au moyen d'une vanne à boulet/d'un réservoir de barrage.
- * Le raccordement d'un condenseur refroidi par eau à une alimentation en eau secteur (potable) n'affecte pas la performance de la machine mais provoque une utilisation/un gaspillage d'eau important que nous ne recommandons pas.
- * Faire appel à un plombier agréé pour s'assurer que l'installation est correcte.
- * Les branchements doivent être effectués en respectant les réglementations nationales ou locales en vigueur.

[a] Branchements standard conformes aux réglementations du WRAS au Royaume-Uni.

- * En cas de sélection d'une tour de refroidissement, la sélectionner en tenant compte des valeurs crêtes suivantes relatives au flux thermique du condenseur :

Modèle IM-240AW : 5235 W

- * Le diamètre minimal des tuyaux entre la tour de refroidissement et la machine à glace doit être de 20 mm afin de réduire la perte de pression même si les raccords de la machine ont un diamètre de 13 mm.
- * La perte de pression dans le circuit d'eau à l'intérieur de la machine est de 5 à 6 m lorsque le débit de l'eau de refroidissement est de 4 à 5 l/min.
- * Sélectionner une pompe de circulation selon les valeurs de flux thermique indiquées ci-dessus.
- * Ne pas utiliser de pompe en cascade car le régulateur d'eau modifiera le flux et l'arrêtera lors du dégivrage.

[Branchements de la machine à glace]

1) Raccorder l'extrémité coudée du tuyau d'arrivée d'eau (accessoire) au raccord G3/4 à l'arrière de la machine à glace comme indiqué en veillant à placer correctement la rondelle d'étanchéité en caoutchouc. Serrer manuellement de manière à obtenir un raccordement étanche.

2) Fixer l'autre extrémité du flexible d'arrivée au robinet d'eau, en veillant à ce que la rondelle soit correctement positionnée, avant de serrer manuellement comme ci-dessus.

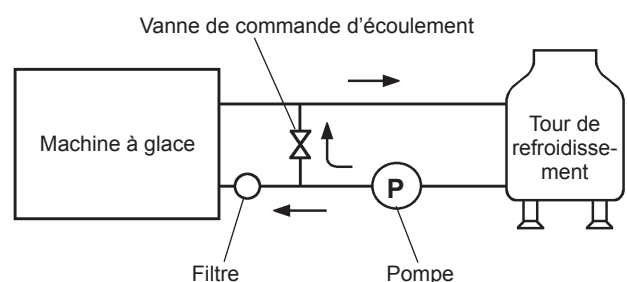
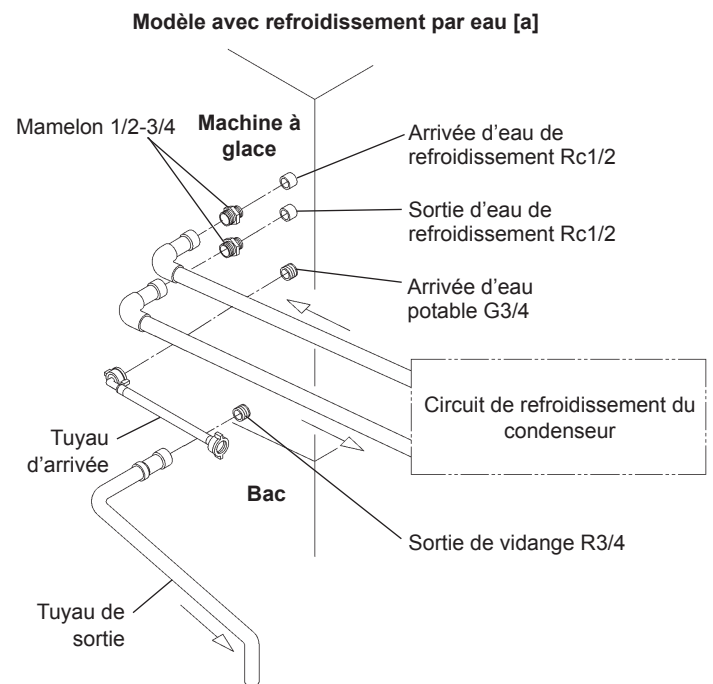
Remarque : En cas de filtrage ou de traitement de l'eau, veiller à ce que seule la section de fabrication de glace soit raccordée à l'alimentation en eau traitée, et non le condenseur.

3) Raccorder le tuyau gris de vidange (accessoire) au raccord R3/4 à l'arrière de la machine à glace comme indiqué, en contrôlant le placement correct de la rondelle d'étanchéité en caoutchouc avant de serrer le joint manuellement. Le tuyau peut être coupé à la longueur voulue en fonction de la position de vidange principale.

4) A l'aide d'une clé adaptée, serrer les mamelons 1/2-3/4 (accessoire) sur les raccords Rc1/2 à l'arrière de la machine à glace comme indiqué. Utiliser du ruban PTFE et/ou du mastic d'étanchéité adéquat pour former un joint étanche.

Remarque : Les produits d'étanchéité pour joints doivent être approuvés et adaptés à une utilisation avec de l'eau potable.

5) Raccorder le circuit de refroidissement du condenseur à l'extrémité libre des mamelons 1/2-3/4 comme indiqué à l'aide d'un tuyau rigide adapté.

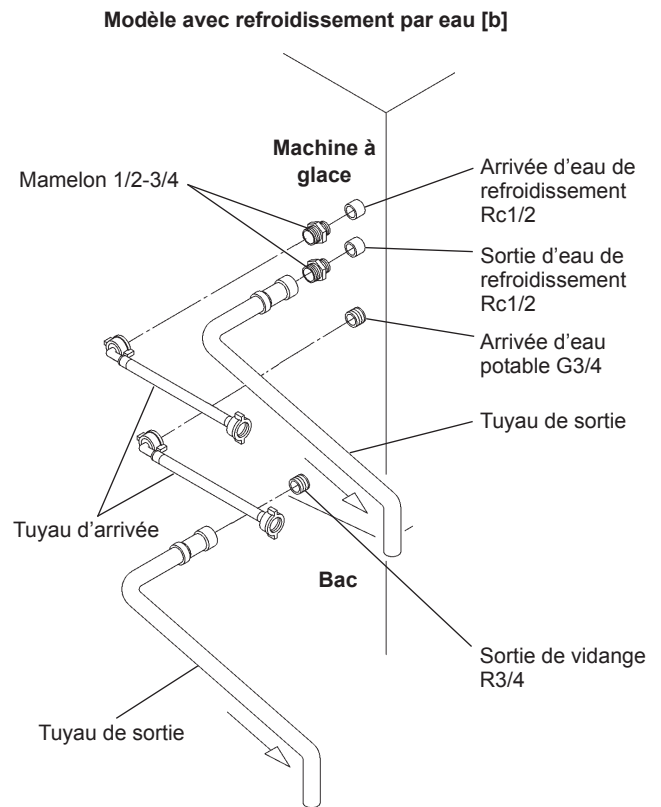


[b] Branchements conformes à des réglementations autres que celles du WRAS à l'aide des tuyaux accessoires.

- 1) Suivre les consignes des paragraphes 1) à 4) figurant sous le point [a].
- 2) Pour les branchements du condenseur, utiliser les tuyaux accessoires livrés et effectuer les mêmes branchements qu'aux paragraphes 1) à 3) du point [a] ci-dessus avec l'extrémité libre des mamelons 1/2-3/4 comme indiqué.

8. PROCEDURE DE DEMARRAGE

- 1) Ouvrir le robinet d'eau.
- 2) Brancher l'alimentation électrique et mettre l'appareil sous tension.
- 3) L'écran affiche « on ».
- 4) La séquence de mise en marche normale est la suivante :
 - a) La vanne de gaz chaud s'ouvre.
 - b) Le compresseur démarre après 30 secondes.
 - c) Le bac à eau s'ouvre complètement.
 - d) L'électrovanne d'arrivée d'eau s'ouvre.
 - e) Le bac à eau commence à se fermer (vanne de gaz chaud fermée).
 - f) Le bac à eau est complètement fermé - le moteur de la pompe démarre.
 - g) L'électrovanne d'arrivée d'eau se ferme.



▲HYGIENE

Vérifier les conditions et la qualité de la production de glace.

Ne pas utiliser la glace produite durant l'essai. Elle pourrait être contaminée par des impuretés se trouvant dans le circuit d'eau. La jeter ou la vider dans le circuit de vidange.

Avant d'utiliser la machine, nettoyer le bac de stockage (voir « III. 1. NETTOYAGE » dans la notice d'utilisation).

9. DERNIERS CONTROLES

- 1) Vérifier la tension d'alimentation.
- 2) Vérifier que la machine à glace est correctement mise à la terre.
- 3) Vérifier que la machine à glace ne présente pas de vibrations.
- 4) Vérifier que tous les panneaux sont bien fixés.
- 5) Vérifier que la machine fonctionne correctement conformément à « 8. PROCEDURE DE DEMARRAGE ».
- 6) Vérifier que les connexions d'admission et de vidange d'eau ne présentent pas de fuites.
- 7) Indiquer à l'utilisateur comment utiliser correctement la machine. Donner la notice d'utilisation à l'utilisateur.

WICHTIGE SICHERHEITSHINWEISE

Dieses Handbuch enthält Hinweise, die Sie auf Situationen aufmerksam machen sollen, die Tod, schwere Verletzungen oder Geräteschäden verursachen können.

▲WARNUNG	Kennzeichnet eine gefährliche Situation, die, wenn sie nicht vermieden wird, zum Tod oder zu schweren Verletzungen führen kann.
▲VORSICHT	Kennzeichnet eine gefährliche Situation, die, wenn sie nicht vermieden wird, zu leichten oder mittleren Verletzungen führen kann.
HINWEIS	Kennzeichnet eine gefährliche Situation, die, wenn sie nicht vermieden wird, zu Geräteschäden führen kann.
▲HYGIENE	Kennzeichnet wichtige Maßnahmen für Hygiene und Lebensmittelsicherheit.
WICHTIG	Kennzeichnet wichtige Informationen zu Gebrauch und Pflege des Gerätes.

WICHTIG

Um das Produkt sicher und einwandfrei installieren zu können, sollten Sie vor der Installation diese Broschüre sorgfältig lesen und die darin enthaltenen Anweisungen befolgen.

Schalten Sie nach Abschluss der Installation den Eisbereiter ein und überprüfen Sie ihn auf Unregelmäßigkeiten. Weisen Sie den Benutzer in Gebrauch und Instandhaltung des Eisbereiters entsprechend der Bedienungsanleitung ein.

Diese Broschüre sollte dem Benutzer nach der Installation ausgehändigt und von diesem zusammen mit der Bedienungsanleitung aufbewahrt werden, damit bei Bedarf darin nachgelesen werden kann.

▲WARNUNG

Dies ist ein Eisbereiter für den gewerblichen Einsatz, der ausschließlich für den vorgesehenen Zweck benutzt und mit einem, wie von Hoshizaki angegebenen, geeigneten Vorratsbehälter ausgestattet werden soll.

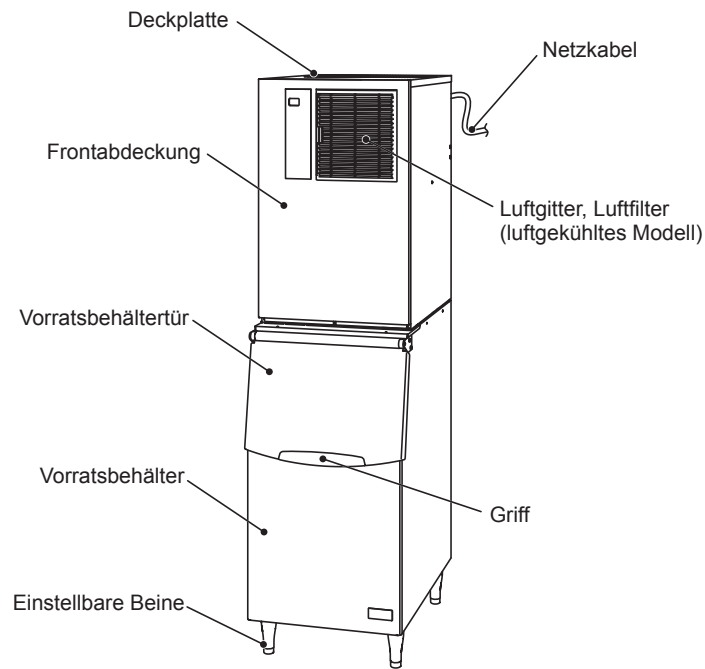
Jede andere Verwendung ist als Zweckentfremdung und somit als gefährlich anzusehen. Der Hersteller übernimmt keine Haftung oder Verantwortung für Schäden, die durch missbräuchliche, falsche oder unangemessene Verwendung verursacht werden.

Installation und erforderliche Standortverlegungen sind von qualifiziertem Personal in Übereinstimmung mit geltenden Vorschriften nach Angaben des Herstellers auszuführen.

Die Lüftungsöffnungen im Gerätegehäuse oder im Innern des Gerätes nicht blockieren.

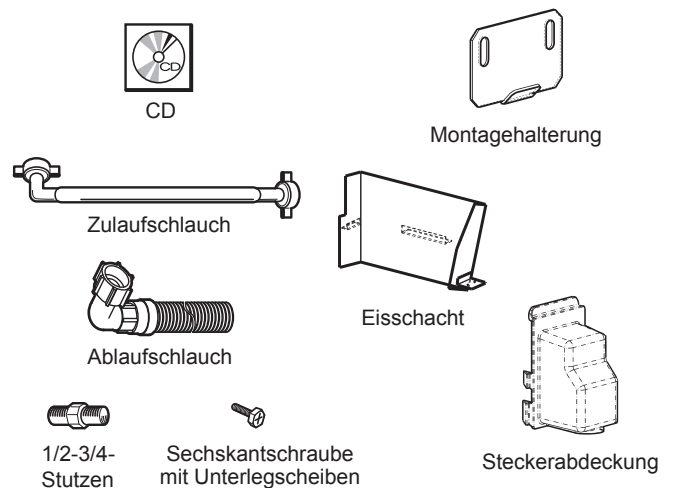
DEUTSCH

1. KONSTRUKTION



2. ZUBEHÖR

	IM-240ANE	IM-240AWNE
CD	1	1
Zulaufschlauch	1	2
Ablaufschlauch	1	2
1/2-3/4-Stutzen	-	2
Montagehalterung	2	2
Sechskantschraube M5 mit Unterlegscheiben	2	2
Eisschacht	1	1
Sechskantschraube M4 mit Unterlegscheiben	2	2
Steckerabdeckung	1	1



3. AUSPACKEN

⚠️ WARNUNG

Kindern sollten keinen Zugang zum Verpackungsmaterial (Kunststoffbeutel und Polystyrol) haben, da dieses eine mögliche Gefahrenquelle darstellt.

⚠️ VORSICHT

Den Karton nicht an den Transportbändern anheben oder tragen.

Wenn das Gerät manuell bewegt werden soll, die Platten entfernen und den Geräterahmen festhalten.

Beim Tragen des Gerätes stets Schutzhandschuhe tragen.

Um Verletzungen zu vermeiden, den Karton oder das ausgepackte Gerät immer zu zweit handhaben.

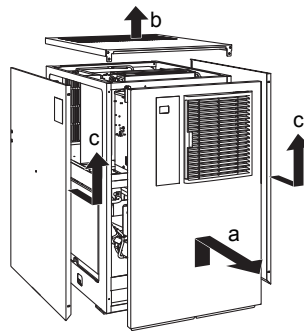
HINWEIS

Versandkarton, Bänder und anderes Verpackungsmaterial entfernen. Wenn Verpackungsmaterial in der Maschine gelassen wird, arbeitet diese nicht richtig.

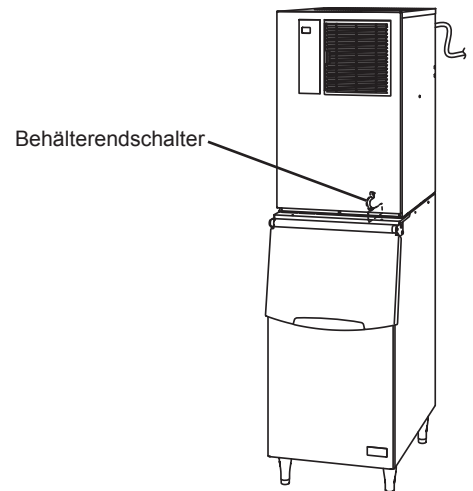
Hinweis: Dieser Eisbereiter braucht einen Vorratsbehälter. Hoshizaki empfiehlt folgende Eisvorratsbehälter:

- B301SA----- IM-240ANE
- B501SA (Top-Ausrüstung 8D) ----- IM-240ANE
- B801SA (Top-Ausrüstung 4DM)----- IM-240ANE x 2

- 1) Nach dem Entfernen der Verpackung ist sicherzustellen, dass Eisbereiter und Vorratsbehälter in gutem Zustand sind. Im Zweifelsfall den Eisbereiter nicht verwenden, sondern qualifiziertes Fachpersonal hinzuziehen. Siehe Anleitungsblatt am Vorratsbehälter für Richtlinien zum Auspacken und zur Installation.
- 2) Für den Zugang zum Zubehörbausatz und für eine leichtere Installation die Platten des Eisbereiters entfernen.
- 3) Die Packung mit den Zubehörteilen herausnehmen. Den Inhalt anhand von „2. ZUBEHÖR“ prüfen.
- 4) Das Transportsicherungsband des Behälterendschalters entfernen.
- 5) Die Kunststoff-Folie von der Außenseite entfernen. Wenn der Eisbereiter Sonne oder Wärme ausgesetzt ist, die Folie erst abziehen, nachdem der Eisbereiter abgekühlt ist.



- a) Frontplatte: Die Schraube(n) entfernen. Abheben und nach vorn ziehen.
- b) Deckplatte: Die Schraube(n) entfernen. Einfach abheben.
- c) Seitenplatte: Die Schraube(n) entfernen. Leicht nach vorn schieben und dann abheben.
- d) Rückwand: Muss nicht entfernt werden.



4. AUFSTELLORT

⚠️ WARNUNG

Dieser Eisbereiter eignet sich nicht für den Gebrauch im Freien.

Der Eiswürfelbereiter darf nicht neben Öfen, Grills oder anderen Geräten aufgestellt werden, die Hitze erzeugen.

Dieses Gerät eignet sich nicht für die Aufstellung in Räumen, in denen ggf. ein Wasserstrahl benutzt wird.

⚠️ VORSICHT

Der Aufstellort für den Eisbereiter muss stabil und eben sein.

HINWEIS

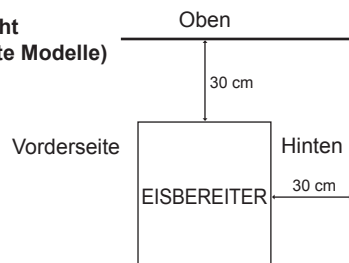
Keine Gegenstände auf die Deckplatte oder vor das Luftgitter des Eisbereiters stellen.

WICHTIG

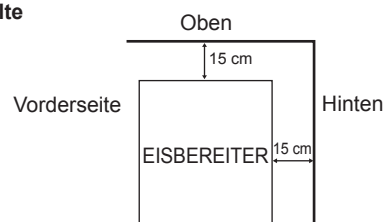
Für Normalbetrieb muss die Raumtemperatur zwischen 1 °C und 40 °C liegen. Der Wasseranschluss ist nur für kaltes Wasser. Längerer Gebrauch des Eisbereiters bei Temperaturen außerhalb dieser normalen Temperaturgrenzwerte kann die Produktionsleistung beeinträchtigen.

Die unten angegebenen Abstände einhalten, um eine optimale Luftzirkulation zu gewährleisten und die Wartung bzw. Pflege des Gerätes zu erleichtern.

**Seitenansicht
(Luftgekühlte Modelle)**



**Seitenansicht
(Wassergekühlte Modelle)**



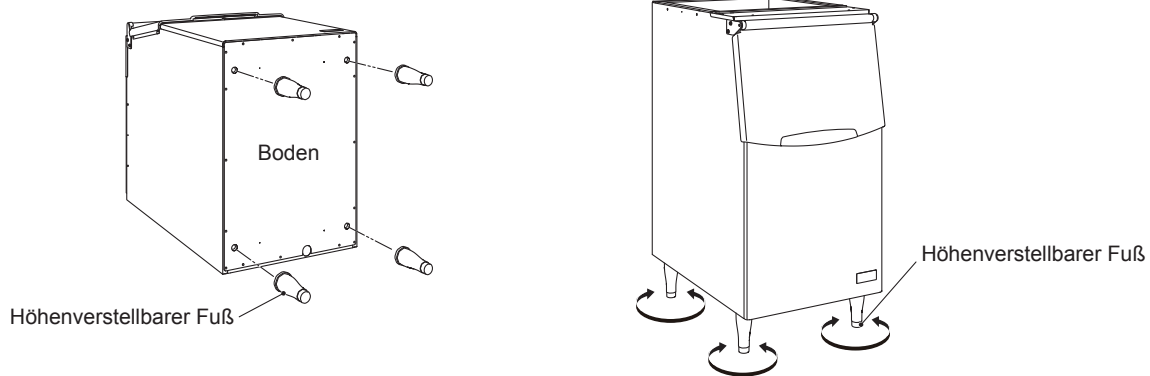
In Umgebungen mit hoher Feuchtigkeit kann sich Kondenswasser im Gerät bilden und auf den Boden tropfen. Das Gerät nicht auf Böden aufstellen, die durch Wasser beschädigt werden können.

5. INSTALLATION

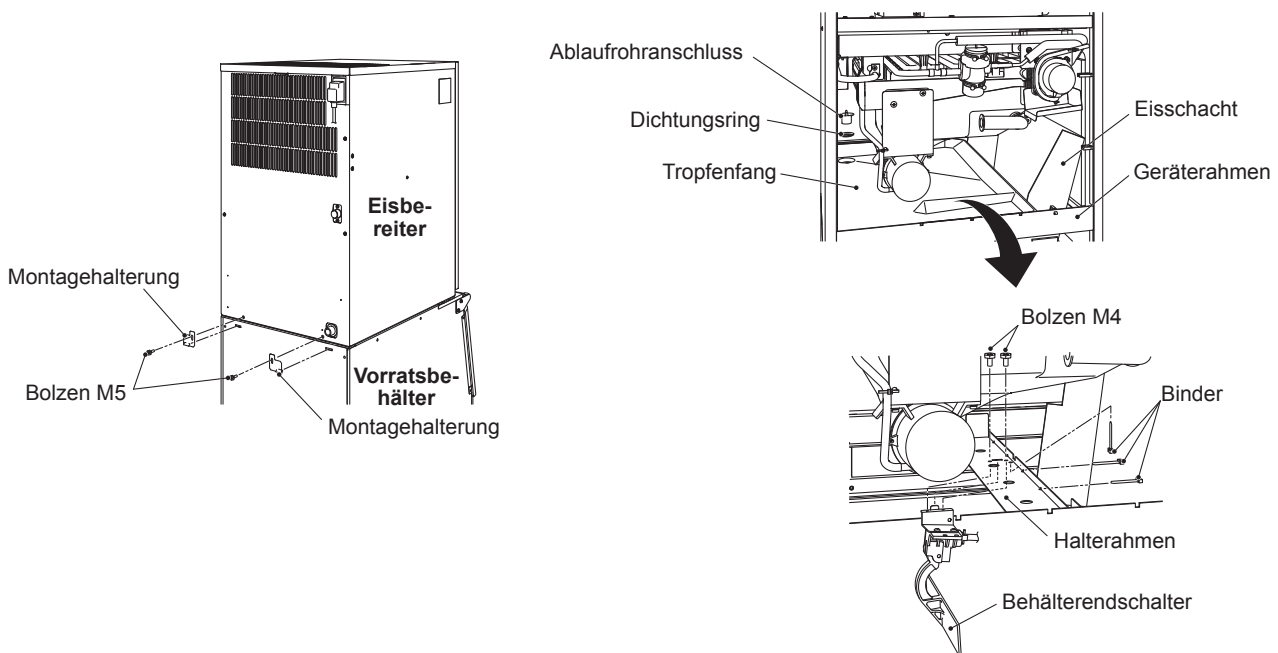
⚠ VORSICHT

Eine falsche Installation kann zu Verletzungen von Menschen und Tieren oder zu Sachschäden führen, für die der Hersteller nicht haftet.

- 1) Den Vorratsbehälter vorsichtig auf die Rückseite legen, um Beschädigung zu vermeiden. Die vier verstellbaren Gerätefüße (Vorratsbehälterzubehör) in den vier Gewindebohrungen auf der Unterseite des Vorratsbehälters sichern.
- 2) Den Vorratsbehälter am ausgesuchten, permanenten Ort aufstellen und von links nach rechts und von vorn nach hinten nivellieren.



- 3) Die Eisbereiterplatten entfernen. Die Rückwand muss zur Installation nicht abgenommen werden. Siehe „3. AUSPACKEN“.
- 4) Den Eisbereiter auf den Vorratsbehälter stellen, während der untere Teil gehalten wird.
- 5) Den Eisbereiter mit den mitgelieferten Montagehalterungen und Schrauben hinten am Vorratsbehälter befestigen.
- 6) Den Spalt zwischen dem Eisbereiter und dem Vorratsbehälter mit einem Dichtmittel abdichten, das für Lebensmittel unbedenklich ist.
- 7) Ablaufrohranschluss und Tropfenfang herausnehmen. Den Behälterendschalter mit den beiden mitgelieferten Schrauben am Befestigungsrahmen sichern. Kabel des Behälterendschalters mit den beiden Kabelbindern befestigen. Den Eisschacht auf den Geräterahmen setzen und den Tropfenfang wieder in die richtige Position bringen.
- 8) Die Eisbereiterplatten wieder an der richtigen Position anbringen.



6. ELEKTRISCHE ANSCHLÜSSE

⚠️ WARNUNG

DIESES GERÄT MUSS GEERDET WERDEN

Dieser Eisbereiter erfordert einen Schutzkontakt, der nationalen und lokalen Bestimmungen entspricht.

Um schwere Körperverletzungen und Gerätebeschädigungen infolge eines elektrischen Schlages zu vermeiden, ist ein ordnungsgemäßer Erdleiter am Eisbereiter anzubringen.

Die Stromversorgung ausschalten, bevor Wartungs-, Reparatur- oder Reinigungsarbeiten vorgenommen werden.

- * Dieses Gerät benötigt eine separate Stromversorgung mit 220-240 V~, 13 A. Die Stromversorgung muss mit einem geeigneten Leistungsschutzschalter gesichert werden.
- * Seite an Seite aufgestellte Eisbereiter sollten jeweils eine separate Steckdose haben, sie müssen jedoch alle parallel im selben Einphasen-Stromkreis mit ausreichender Strombelastbarkeit verbunden sein.
- * Die Hauptsicherung im Schaltkasten ist für eine Stromstärke von 5 A ausgelegt und darf nur von einer autorisierten Fachkraft ausgewechselt werden.
- * In der Regel wird hierzu ein Elektriker mit entsprechender Qualifikation und Zulassung benötigt.
- * Ist das Netzkabel beschädigt, muss es durch ein vom Hoshizaki-Ersatzteil-/Kundendienst erhältliches Ersatzkabel ersetzt werden.
- * Gemäß IEC-Normen beträgt die höchstzulässige Systemimpedanz (Z_{max}) am Stromversorgungspunkt für den Anschluss des Eisbereiters $0,23+j0,23$ Ohm. Bei Bedarf ist mit dem örtlichen Stromversorger die Einhaltung der Spezifikation von maximal $0,23+j0,23$ Ohm für den Anschluss des Eisbereiters abzuklären.

Nur für das Vereinigte Königreich und die Republik Irland

- * Die Drähte im Netzkabel sind nach dem folgenden Farbcode gekennzeichnet:

Grün & Gelb = Erde

Blau = Nulleiter

Braun = spannungsführender Leiter

Die Farben der Adern im Netzkabel dieses Geräts stimmen möglicherweise nicht mit den Farbmarkierungen in Ihrem Stecker überein, daher bitte immer wie folgt verfahren:

Der grün-gelbe Leiter ist an die Klemme anzuschließen, die mit dem Buchstaben E oder dem Symbol \perp bzw. grün oder gelb-grün markiert ist. Die blaue Ader ist an die Klemme anzuschließen, die mit dem Buchstaben N oder schwarz markiert ist. Die braune Ader ist an die Klemme anzuschließen, die mit dem Buchstaben L oder rot markiert ist.

- * Falls der mit dem Gerät gelieferte Stecker für die Netzsteckdose am Installationsort ungeeignet ist, muss er entfernt (bzw. wenn er verkapselt ist, abgeschnitten) und durch einen passenden Stecker ersetzt werden.

Ein abgeschnittener, verkapselter (nicht zugänglicher Stecker) muss entsorgt werden. Versuchen Sie nicht, ihn wiederzuverwenden. Durch die Verwendung eines solchen Steckers in einer anderen Steckdose besteht die Gefahr eines elektrischen Schlags.

- * Der verkapselte Stecker ist nie ohne angebrachte Sicherungsabdeckung zu verwenden.

Der richtige Ersatz für die abnehmbare Sicherungsabdeckung lässt sich anhand der Hersteller-Referenznummer ermitteln, die auf den Stecker gestanz ist.

Ersatzabdeckungen für Sicherungen sind von Hoshizaki-Ersatzteil-/Service-Zentren erhältlich.

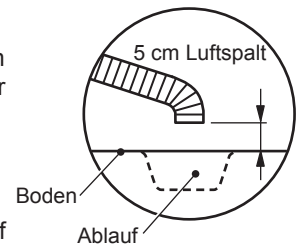
Es sind 13-A-Sicherungen zu verwenden, die die Norm BS 1362 erfüllen.

7. WASSERZULAUF- UND WASSERABLAUFANSCHLÜSSE

⚠️ WARNUNG

Nur an die kalte Trinkwasserversorgung anschließen.

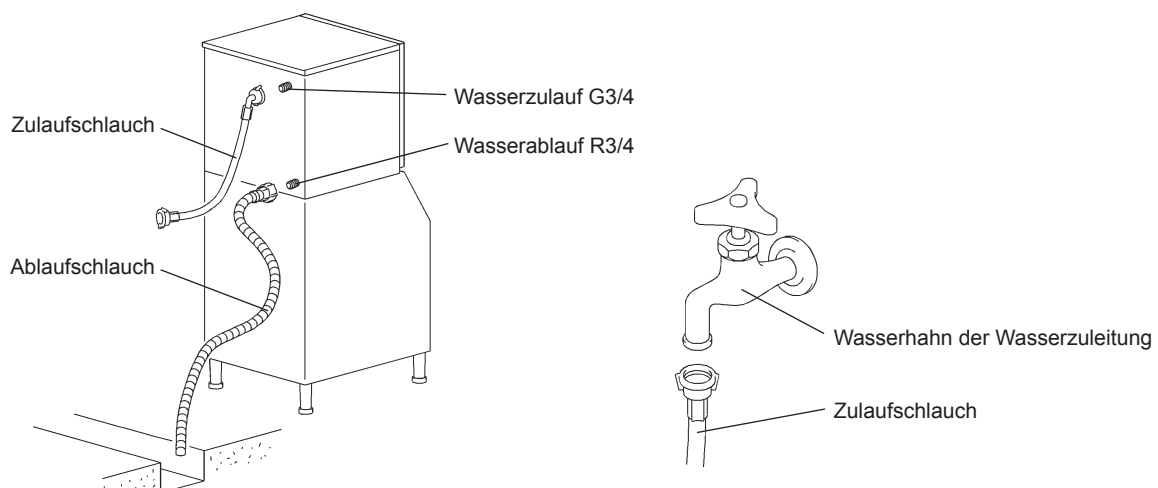
- * Die Anschlüsse an die Hauptwasserversorgung müssen entsprechend den Anforderungen der aktuellen Wasserversorgungs- oder Wasseranschlussbestimmungen ausgeführt werden.
- * Wasser für die Eisbereitung muss Trinkwasser sein. Wo Ablagerungen aufgrund der Wasserqualität entstehen können:
 - Es wird die Installation eines externen Filters oder Weichmachers empfohlen. Wenden Sie sich an Ihren örtlichen Wasseraufbereitungsspezialisten oder an den Hoshizaki-Kundendienst.
 - Es wird der Wechsel zum Modus „volle Ablaufspülung“ empfohlen. Wenden Sie sich an Ihren Hoshizaki-Kundendienst.
- * Der Druck in der Wasserzufuhrleitung muss mindestens 0,07 MPa (0,7 bar) und darf höchstens 0,78 MPa (8 bar) betragen. Bei einem höheren Druck als 0,78 MPa (8 bar) ist ein geeignetes Druckreduzierventil zu verwenden. Der Wasserzulauf am Hahn selbst darf NICHT gedrosselt werden.
- * In bestimmten Gebieten sind eine Installationsgenehmigung und der Anschluss durch einen zugelassenen Installateur erforderlich.
- * Der Abfluss des Wassers aus dem Eisbereiter erfolgt durch Schwerkraft, daher ist auf ein ausreichendes Gefälle des Ablaufschlauchs zu achten.
- * Die Verrohrung von Ablaufleitungen sollte nicht direkt in das Abwassersystem führen. Vom Ablaufschlauchende des Eisbereiters und des Vorratsbehälters sollte mindestens ein 5 cm hoher vertikaler Luftspalt zum Bodenablauf verbleiben.
- * Rücklauf in den Vorratsbehälter verhindern.
- * Bei wassergekühlten Modellen muss möglicherweise ein Rücklaufschutz im Kühlwasserkreislauf eingebaut werden.
- * Immer die mit dem Gerät gelieferte neue Schlauchgarnitur verwenden. Keine alten Schlauchgarnituren wiederverwenden.



[Luftgekühltes Modell]

- 1) Abgewinkeltes Ende des flexiblen Zulaufschlauches (Zubehör) auf den G3/4-Anschluss an der Rückseite des Eisbereiters schrauben. Dabei darauf achten, dass die Gummidichtung richtig liegt. Mit der Hand so anziehen, dass die Verbindung dicht ist.
- 2) Das andere Ende des Zulaufschlauches an den Wasserhahn schrauben, dabei wie oben darauf achten, dass die Gummidichtung richtig liegt und mit der Hand festziehen. Vorsichtshalber sollte das Absperrventil in Reichweite sein.
- 3) Den grauen, flexiblen Ablaufschlauch (Zubehör) mit der Hand auf den R3/4-Anschluss auf der Rückseite des Eisbereiters festschrauben (siehe Abbildung). Dabei darauf achten, dass die Gummidichtung richtig liegt, damit die Verbindung dicht ist. Das Rohr lässt sich auf die richtige Länge, d. h. der Position des Hauptabflusses entsprechend, zuschneiden.

Luftgekühltes Modell



[Wassergekühltes Modell]

- * Hoshizaki empfiehlt, einen wassergekühlten Verflüssiger an ein Kühlsystem mit geschlossenem Kreislauf anzuschließen, das einen Kühlturm oder Wasserkühler o. ä. verwendet. Das Auffüllen mit Wasser sollte über ein Kugelventil-/Unterbrecher-Tanksystem reguliert werden.
- * Obgleich das Anschließen eines wassergekühlten Verflüssigers an eine Trinkwasserversorgungsleitung die Leistung des Eisbereiters nicht beeinträchtigt, wird es auf alle Fälle eine(n) hohe(n) Verbrauch/Verschwendung einer wertvollen Ressource bewirken und wird daher nicht empfohlen.
- * Um eine sachgerechte Installation zu gewährleisten, sollten die Dienste eines zugelassenen Installateurs in Anspruch genommen werden.
- * Die Anschlüsse haben den geltenden nationalen oder lokalen Vorschriften zu entsprechen.

[a] Standardanschlüsse entsprechend der WRAS-Bestimmungen in Großbritannien.

- * Bei der Auswahl eines Kühlturms muss auf folgende Spitzenwerte für den Wärmefluss im Verflüssiger geachtet werden:

Modell IM-240AW: 5235 W

- * Rohre zwischen dem Kühlturm und dem Eisbereiter müssen mindestens 20 mm Durchmesser haben, um Druckverlust zu verringern, auch wenn die Anschlüsse des Eisbereiters nur 13 mm im Durchmesser sind.
- * Der Druckverlust im Wasserkreislauf im Innern der Einheit wird 5 bis 6 m betragen, wenn das Kühlwasser mit 4 bis 5 l/min umläuft.
- * Eine Umwälzpumpe wählen, die zu den obigen Werten des Wärmeflusses passt.
- * Keine Kaskadenpumpe verwenden, da der Wasserregler dann den Fluss verändert und ihn während des Abtauzyklus stoppt.

[Anschlüsse des Eisbereiters]

1) Abgewinkeltes Ende des flexiblen Zulaufschlauches (Zubehör) auf den G3/4-Anschluss an der Rückseite des Eisbereiters schrauben. Dabei darauf achten, dass die Gummidichtung richtig liegt. Mit der Hand so anziehen, dass die Verbindung dicht ist.

2) Das andere Ende des Zulaufschlauches an den Wasserhahn schrauben, dabei wie oben darauf achten, dass die Gummidichtung richtig liegt und mit der Hand festziehen.

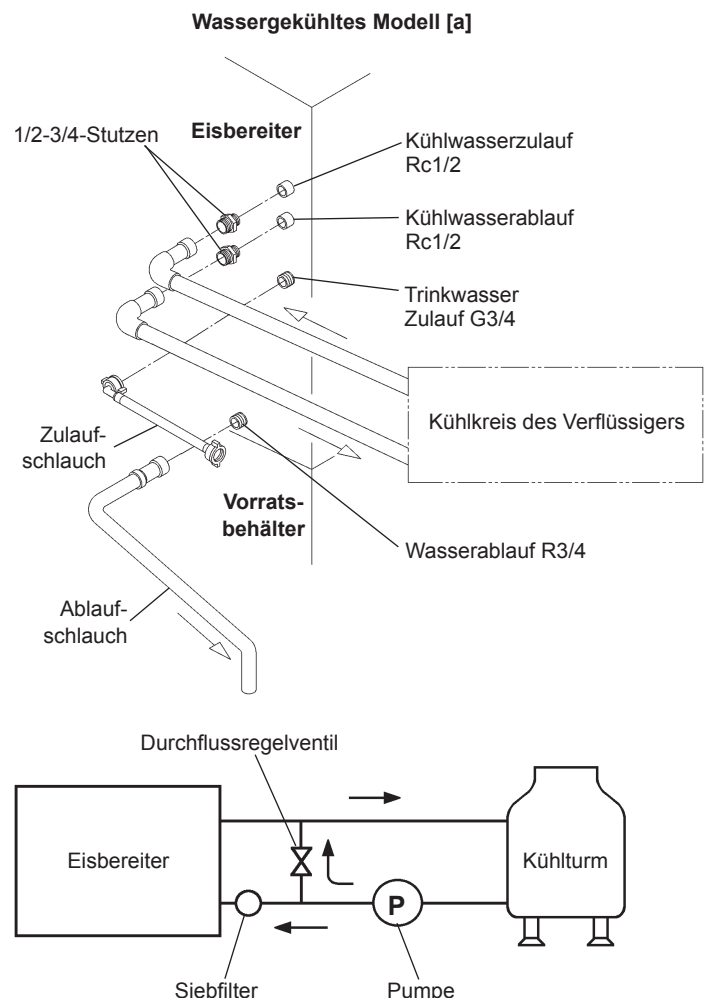
Hinweis: Falls eine Filtrierung oder Aufbereitung benutzt wird, müssen Sie sicherstellen, dass nur der Eisbereiterabschnitt an die aufbereitete Wasserzufuhr angeschlossen ist, nicht der Kondensator.

3) Den grauen, flexiblen Ablaufschlauch (Zubehör) wie gezeigt an den R3/4-Anschluss auf der Rückseite des Eisbereiters festschrauben. Dabei wieder darauf achten, dass die Gummidichtung richtig sitzt und dann die Verbindung von Hand festschrauben. Das Rohr lässt sich auf die richtige Länge, d. h. der Position des Hauptabflusses entsprechend, zuschneiden.

4) Mit einem geeigneten Schlüssel oder Schraubenschlüssel die 1/2-3/4-Stutzen (Zubehör) in die Rc1/2-Anschlüsse auf der Rückseite des Eisbereiters einschrauben (siehe Abbildung). PTFE-Band und/oder ein geeignetes Dichtmittel verwenden, um eine dichte Verbindung zu erhalten.

Hinweis: Dichtmittel müssen für den Gebrauch mit Trinkwasser zugelassen und geeignet sein.

5) Mit einem geeigneten starren Rohr den Kühlkreislauf des Verflüssigers mit dem freien Ende der 1/2-3/4-Stutzen verbinden.



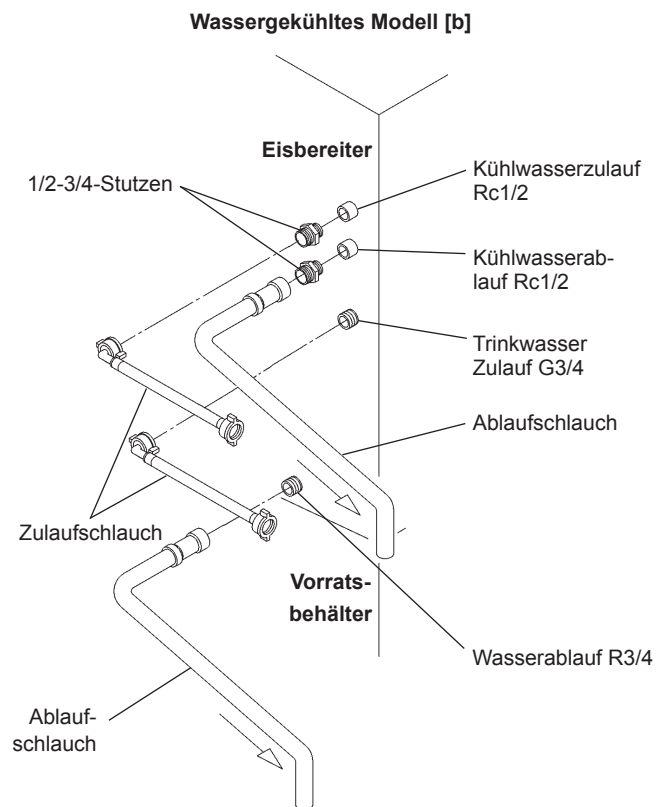
DEUTSCH

[b] Anschlüsse entsprechend anderer als der WRAS-Bestimmungen unter Verwendung von Zubehörschläuchen

- 1) Den obigen Anweisungen 1) bis 4) unter [a] folgen.
- 2) Zum Anschluss des Verflüssigers die mitgelieferten Zubehörschläuche verwenden. Die gleichen Verbindungen wie oben in 1) bis 3) unter [a] an den freien Enden der 1/2-3/4-Stutzen herstellen.

8. INBETRIEBNAHME

- 1) Wasserhahn aufdrehen.
- 2) Gerät mit dem Netz verbinden und einschalten.
- 3) Das Display zeigt „on“.
- 4) Nun sollte folgende Sequenz ablaufen:
 - a) Heißgasventil öffnet.
 - b) Kompressor startet nach 30 Sekunden.
 - c) Wasserschale öffnet vollständig.
 - d) Magnetventil für Wasser öffnet.
 - e) Wasserschale beginnt, sich zu schließen (Heißgasventil geschlossen).
 - f) Wasserschale ganz geschlossen - Pumpenmotor startet.
 - g) Magnetventil für Wasser schließt.



▲HYGIENE

Prüfen Sie die Bedingungen und die Qualität der Eisherstellung.

Das Eis aus dem Testlauf nicht verwenden. Es könnte durch Fremdstoffe im Wasserkreislauf kontaminiert sein. Das Eis wegwerfen oder den Abfluss hinunterspülen.

Vorratsbehälter vor der Verwendung reinigen (siehe „III. 1. REINIGEN“ in der Betriebsanleitung).

9. ABSCHLUSSTESTS

- 1) Auf richtige Versorgungsspannung prüfen.
- 2) Prüfen, dass der Eisbereiter ordnungsgemäß geerdet ist.
- 3) Prüfen, dass der Eisbereiter nicht vibriert.
- 4) Prüfen, dass alle Abdeckplatten fest und sicher sitzen.
- 5) Auf einwandfreien Betrieb prüfen, entsprechend „8. INBETRIEBNAHME“.
- 6) Wasserzulauf- und Wasserablaufanschlüsse auf Undichtigkeit prüfen.
- 7) Den Benutzer in den richtigen Gebrauch des Gerätes einweisen. Dem Benutzer die Bedienungsanleitung aushändigen.

BELANGRIJKE VEILIGHEIDSINFORMATIE

Overal in deze handleiding treft u opmerkingen aan die uw aandacht willen vestigen op situaties die zouden kunnen resulteren in overlijden, ernstig letsel of schade aan de machine.

▲WAARSCHUWING	Geeft een gevaarlijke situatie aan die, als deze niet wordt vermeden, zou kunnen resulteren in overlijden of ernstig letsel.
▲VOORZICHTIG	Geeft een gevaarlijke situatie aan die, als deze niet wordt vermeden, zou kunnen resulteren in licht of middelzwaar letsel.
LET OP	Geeft een gevaarlijke situatie aan die, als deze niet wordt vermeden, zou kunnen resulteren in schade aan de machine.
▲HYGIËNE	Geeft belangrijke voorzorgsmaatregelen aan met betrekking tot de hygiëne en voedselveiligheid.
BELANGRIJK	Geeft belangrijke informatie aan over het gebruik en de verzorging van de machine.

BELANGRIJK

Lees dit boekje zorgvuldig door vóór de installatie en volg de opgenomen instructies nauwgezet op om een veilige en correcte installatie van het product te waarborgen.

Start, nadat de installatie is voltooid, de ijsmachine op om te controleren op afwijkingen. Geef de gebruiker instructies voor het gebruik en onderhoud van de ijsmachine in overeenstemming met de instructiehandleiding.

Dit boekje moet na de installatie aan de gebruiker worden overhandigd, die het bij de gebruiksaanwijzing moet bewaren voor eventueel toekomstig gebruik.

▲WAARSCHUWING

Dit is een ijsmachine voor commerciële doeleinden en dit apparaat dient uitsluitend te worden gebruikt voor de toepassingen waarvoor het is ontworpen en te worden bevestigd aan een geschikte opslagbunker zoals dit door Hoshizaki is opgegeven.

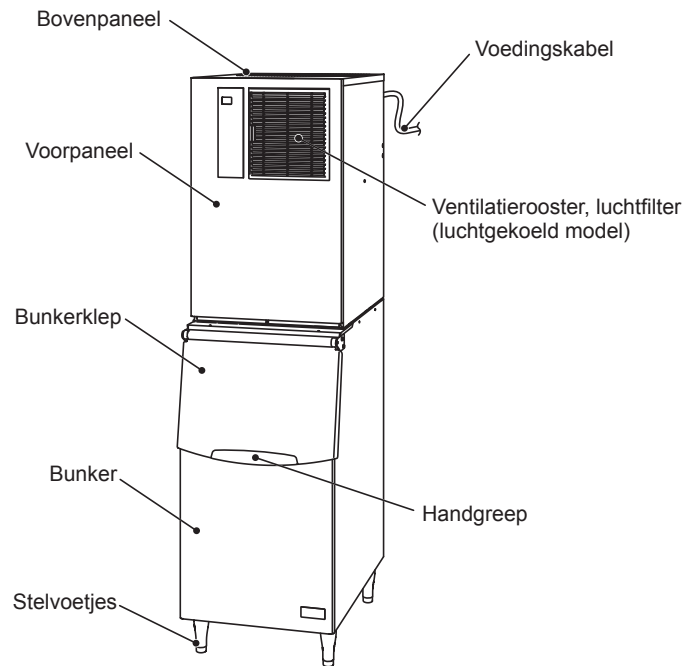
Enige andere vorm van gebruik wordt als ongeschikt en dus gevaarlijk beschouwd. De fabrikant kan niet aansprakelijk of verantwoordelijk worden gesteld voor enige schade die ontstaat door ongeschikt, incorrect en onredelijk gebruik.

De installatie en eventuele verplaatsing van de ijsmachine mag uitsluitend door gekwalificeerd personeel en overeenkomstig de plaatselijk geldende voorschriften worden uitgevoerd, waarbij de instructies van de fabrikant dienen te worden gevolgd.

Houd ventilatieopeningen, zowel in de behuizing van de machine als in de inbouwstructuur, vrij van obstakels.

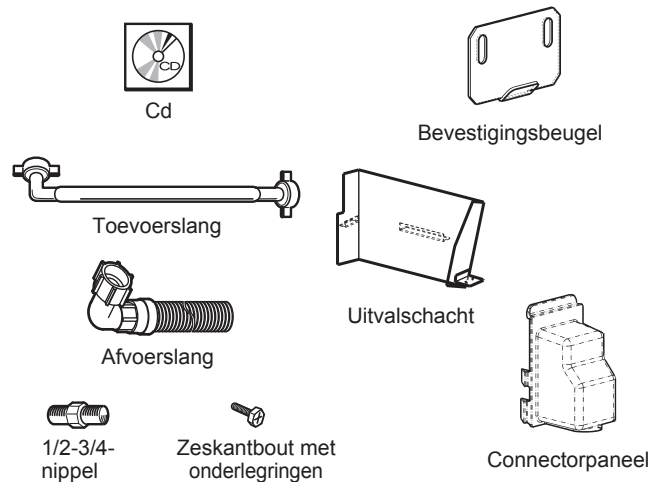
NEDERLANDS

1. CONSTRUCTIE



2. TOEBEHOREN

	IM-240ANE	IM-240AWNE
Cd	1	1
Toevoerslang	1	2
Afvoerslang	1	2
1/2-3/4-nippel	-	2
Bevestigingsbeugel	2	2
Zeskantbout M5 met onderleggingen	2	2
Uitvalschacht	1	1
Zeskantbout M4 met onderleggingen	2	2
Connectorpaneel	1	1



3. UITPAKKEN

⚠ WAARSCHUWING

Kinderen moeten buiten het bereik van het verpakkingsmateriaal (plastic zakken en geëxpandeerd polystyreen) worden gehouden aangezien dit mogelijke bronnen van gevaar zijn.

⚠ VOORZICHTIG

Til de doos niet op en verplaats deze niet met behulp van de transportbanden.

Wanneer u het apparaat handmatig verplaatst, dient u de panelen te verwijderen en het frame van de ijsmachine vast te houden.

Draag altijd beschermende handschoenen bij het dragen van de machine.

Werk met zijn tweeën bij het verplaatsen van de doos of de uitgekakte machine om letsel te voorkomen.

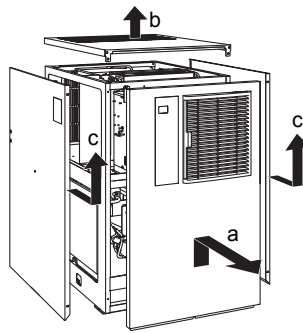
LET OP

Verwijder kartonnen doos, tape en ander verpakkingsmateriaal. Als er verpakkingsmateriaal achterblijft in de ijsmachine, werkt deze niet goed.

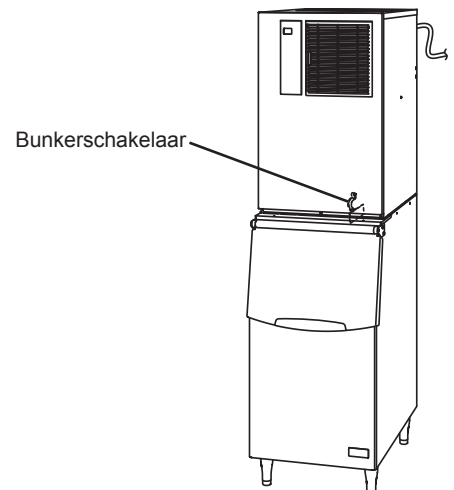
Opmerking: Deze ijsmachine heeft een bunker nodig. Hoshizaki beveelt de volgende opslagbunkers aan:

- B301SA----- IM-240ANE
- B501SA (topset 8D) ----- IM-240ANE
- B801SA (topset 4DM)----- IM-240ANE x 2

- 1) Controleer, nadat u de verpakking hebt verwijderd, of de ijsmachine en de bunker in goede staat verkeren. Gebruik de ijsmachine niet in geval van twijfel, maar raadpleeg bevoegd servicepersoneel. Raadpleeg het instructieblad dat bij de bunker is gevoegd voor richtlijnen bij het uitpakken en installeren.
- 2) Verwijder de panelen van de ijsmachine om toegang te verkrijgen tot het pakket met toebehoren en voor gemakkelijkere installatie.
- 3) Verwijder het pakket met de accessoires. Controleer de inhoud aan de hand van "2. ACCESSOIRES".
- 4) Verwijder de transporttape waarmee de bunkerschakelaar is vastgezet.
- 5) Verwijder de beschermfolie van de buitenkant. Als de ijsmachine is blootgesteld aan de zon of aan hitte, verwijdert u de folie nadat de ijsmachine is afgekoeld.



- a) Voorpaneel: Verwijder de schroef (schroeven). Til het paneel omhoog en trek het naar u toe.
- b) Bovenpaneel: Verwijder de schroef (schroeven). Til eraf.
- c) Zijpaneel: Verwijder de schroef (schroeven). Iets naar voren schuiven en dan optillen.
- d) Achterpaneel: Hoeft niet te worden verwijderd.



4. PLAATSING

⚠ WAARSCHUWING

Deze ijsmachine is niet bestemd voor gebruik buitenshuis.

De ijsmachine mag niet naast een oven, grill of andere apparatuur die veel warmte afgeeft worden geplaatst.

Deze machine is niet geschikt om in een ruimte te worden geïnstalleerd die met een waterstraal wordt schoongespoten.

⚠ VOORZICHTIG

De ijsmachine moet waterpas op een stevige ondergrond worden geplaatst.

LET OP

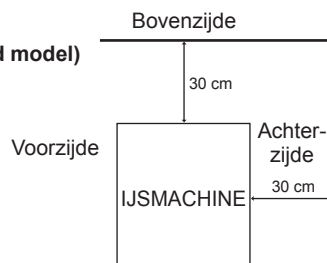
Plaats geen andere apparaten of voorwerpen bovenop de ijsmachine of voor de ventilatieopening.

BELANGRIJK

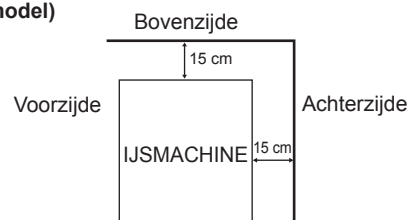
De normale omgevingstemperatuur bij bedrijf moet tussen 1 °C en 40 °C liggen. Er mag uitsluitend koud water worden toegevoerd. Bediening van de ijsmachine gedurende langere perioden buiten dit normale temperatuurbereik kan de productiecapaciteit beïnvloeden.

Houd aan de bovenkant de vrije ruimte aan die hieronder staat vermeld. Dit zorgt voor een optimale luchtcirculatie en vergemakkelijkt onderhouds- en/of reparatiewerkzaamheden.

Zijaanzicht
(Luchtgekoeld model)



Zijaanzicht
(Watergekoeld model)



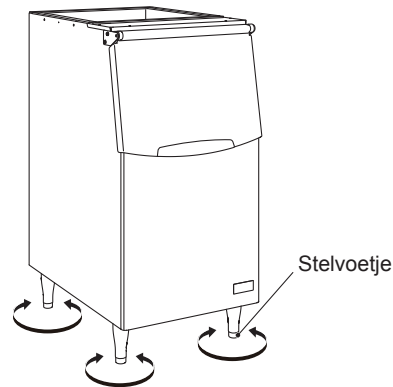
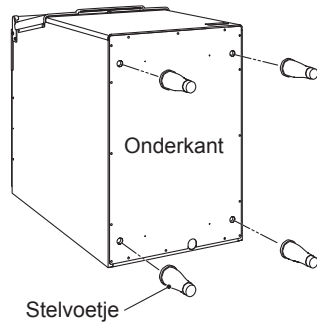
In sommige zeer vochtige omgevingen kan condensvorming optreden in de machine die vervolgens op de vloer druipt. Installeer de ijsmachine niet in een ruimte waar de vloer kan worden aangetast door water.

5. INSTALLATIE

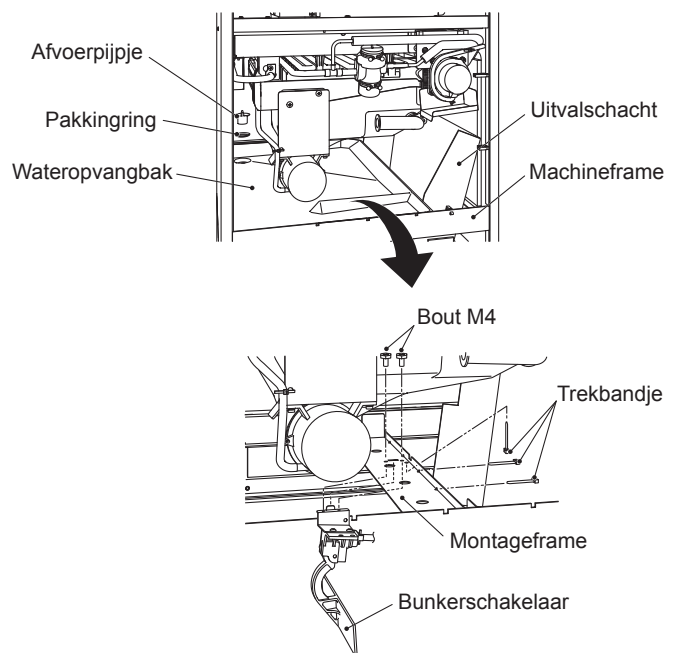
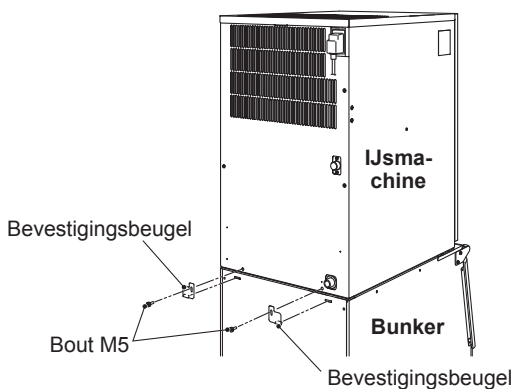
⚠ VOORZICHTIG

Onjuiste installatie van de ijsmachine kan schade toebrengen aan mens, dier en omgeving. De fabrikant aanvaardt geen aansprakelijkheid voor schade en/of letsel ten gevolge van het onjuist installeren van de machine.

- 1) Leg de opslagbunker voorzichtig op de achterkant om schade te voorkomen. Zet de vier stelvoetjes (meegeleverd met opslagbunker) in de vier taps toelopende openingen aan de onderzijde van de bunker.
- 2) Plaats de bunker op een permanente plaats en zorg ervoor dat deze zowel van links naar rechts als van voor naar achter waterpas staat.



- 3) Verwijder de panelen van de ijsmachine. Voor installatie hoeft het achterpaneel niet te worden verwijderd. Zie "3. UITPAKKEN".
- 4) Plaats de ijsmachine boven op de bunker. Houd de ijsmachine hierbij aan de onderkant vast.
- 5) Zet de ijsmachine met de meegeleverde montagebeugels en schroeven aan de achterkant vast aan de opslagbunker.
- 6) Dicht de naad tussen de ijsmachine en de bunker af met een afdichtmiddel dat geschikt is voor gebruik in de buurt van voedingsmiddelen.
- 7) Verwijder het afvoerpijpje en de lekbak. Bevestig de bunkerschakelaar aan het montageframe met behulp van de twee meegeleverde bouten. Bevestig de bedrading van de bunkerschakelaar met de twee kunststof trekbandjes. Plaats de ijsglijgoot op het machineframe en plaats de lekbak terug.
- 8) Plaats de panelen van de ijsmachine terug.



6. ELEKTRISCHE AANSLUITINGEN

⚠ WAARSCHUWING

DEZE MACHINE MOET WORDEN GEAARD

Deze ijsmachine moet worden geaard volgens de geldende voorschriften.

Ter voorkoming van ernstig persoonlijk letsel en materiële schade als gevolg van elektrische schokken, dient deze ijsmachine te worden voorzien van een correct aangebrachte aardleiding.

Verwijder de stekker uit het stopcontact voordat u onderhouds-, reparatie- of reinigingswerkzaamheden gaat uitvoeren.

- * Deze machine vereist een aparte voeding van 220 - 240 V wisselstroom, 13 A. Het stopcontact moet worden beschermd door een geschikte stroomonderbreker.
- * Naast elkaar geplaatste ijsmachines moeten elk een aparte contactdoos hebben, maar zij moeten allemaal parallel worden aangesloten op dezelfde enkelfasige voeding of circuit met voldoende stroomcapaciteit.
- * De hoofdzekering van de besturingskast heeft een nominale waarde van 5 A en mag alleen worden vervangen door een erkende onderhoudsmonteur.
- * Normaalgesproken dient men te beschikken over de juiste vergunningen en/of de hulp in te roepen van een erkend elektricien.
- * Als de voedingskabel beschadigd is, moet deze worden vervangen door een vervangende kabel die verkrijgbaar is via de onderdelen- en servicecentra van Hoshizaki.
- * Overeenkomstig de vereisten van de IEC-norm bedraagt de maximaal toegestane systeemimpedantie (Z_{max}) op het aansluitpunt tussen de voedingskabel en de ijsmachine $0,23+j0,23$ ohm. Zorg ervoor, zo nodig met behulp van uw elektriciteitsbedrijf, dat de ijsmachine wordt aangesloten op een voeding met een systeemimpedantie van $0,23+j0,23$ ohm of minder.

Alleen voor het Verenigd Koninkrijk en Ierland:

- * De draden van de netvoeding hebben een kleurcode:

Groen/geel = aarde

Blauw = neutraal

Bruin = stroomvoerend

Als de gekleurde draden in de voedingskabel van deze machine zijn aangesloten op stekkerpolen met een afwijkende kleur, dient u het volgende te doen:

Sluit de groen/gele draad in de stekker aan op de groen/gele of groene stekkerpool of anders op de stekkerpool die is aangeduid met de letter E of het symbool $\frac{\perp}{\perp}$. Sluit de blauwe draad aan op de zwarte stekkerpool of op de stekkerpool die is aangeduid met de letter N. Sluit de bruine draad aan op de rode stekkerpool of op de stekkerpool die is aangeduid met de letter L.

- * Als het stopcontact waarop u de ijsmachine wilt aansluiten niet geschikt is voor de stekker die aan de voedingskabel van de ijsmachine zit, dient de stekker te worden verwijderd (een gegoten stekker wordt afgesneden) en vervangen door een geschikte stekker.

De gegoten stekker die van de voedingskabel is afgesneden, moet worden weggegooid. Hij mag niet opnieuw worden gebruikt. Wanneer deze stekker elders in een stopcontact wordt gestoken, zorgt dit voor een groot risico van elektrische schokken.

- * De gegoten stekker mag uitsluitend in combinatie met een zekeringhouder worden gebruikt.

Het referentienummer van de fabrikant is in de stekker ingeslagen. In geval u de zekeringhouder vervangt, dient een vervangend exemplaar van hetzelfde type te worden gebruikt.

Zekeringhouders zijn te verkrijgen via de onderdelen- en servicecentra van Hoshizaki.

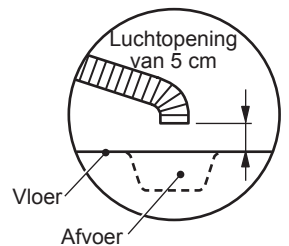
Gebruik zekeringen van 13 A die zijn goedgekeurd volgens BS 1362.

7. AANSLUITING VAN WATERTOEOVOER- EN WATERAFVOERLEIDINGEN

▲WAARSCHUWING

Mag alleen worden aangesloten op een drinkwaterleiding voor koud water.

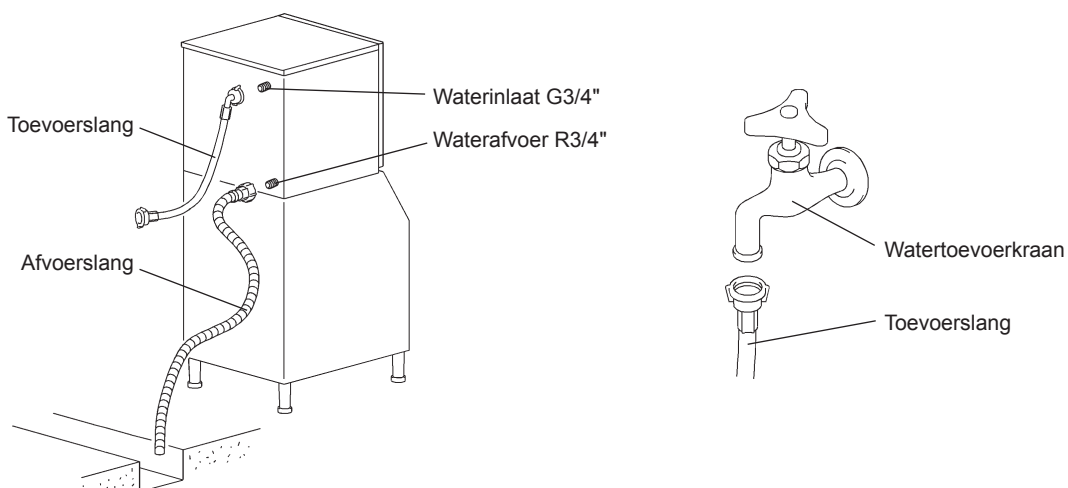
- * De aansluitingen aan de drinkwaterleiding moeten worden uitgevoerd in overeenstemming met de huidige vereisten van het land in de regelgeving met betrekking tot watertoevoer of -accessoires.
- * Het water om ijs mee te maken moet drinkwater zijn. Waar vorming van ketelsteen kan optreden ten gevolge van de waterkwaliteit:
 - Installatie van een extern filter of zachtmaker wordt aanbevolen. Neem contact op met uw plaatselijke waterbehandelingsspecialist of Hoshizaki-servicebedrijf.
 - Overschakelen naar de modus "volledig doorspoelen" wordt aanbevolen. Neem contact op met uw plaatselijke Hoshizaki-servicebedrijf.
- * De watertoevoerdruk moet tenminste 0,07 MPa (0,7 bar) bedragen en mag niet hoger dan 0,78 MPa (8 bar) zijn. Als de waterdruk hoger is dan 0,78 MPa (8 bar), moet gebruik worden gemaakt van een reduceerventiel. De watertoevoerkraan mag voor dit doel NIET gedeeltelijk worden dichtgedraaid.
- * In sommige gebieden kan een loodgietersvergunning of het inschakelen van een erkend loodgieter verplicht zijn.
- * De waterafvoer van de ijsmachine stroomt onder natuurlijk verval; de afvoerslang moet dus voldoende verval hebben.
- * Afvoerleidingen mogen niet rechtstreeks op de riolering worden aangesloten. Houd een verticale luchtopening van minimaal 5 cm aan tussen het uiteinde van de afvoerslangen van ijsmachine en bunker en de vloerafvoer.
- * Voorkom terugstromen van afvoerwater naar de bunker.
- * Bij het watergekoelde model kan het nodig zijn een terugslagklep in het koelwatercircuit te plaatsen.
- * Gebruik de nieuwe slangensets die met het apparaat zijn meegeleverd. Gebruik oude slangensets niet opnieuw.



[Luchtgekoeld model]

- 1) Bevestig het gebogen uiteinde van de flexibele toevoerslang (meegeleverd) aan de G 3/4"-aansluiting aan de achterzijde van de ijsmachine zoals weergegeven. Let er daarbij op dat de rubber afstandsring goed is aangebracht. Voorkom lekkage door de aansluiting handvast aan te draaien.
- 2) Bevestig het andere uiteinde van de toevoerslang aan de waterkraan. Zorg ervoor dat de afdichtring goed is aangebracht voordat u de aansluiting handvast aandraait. Het verdient aanbeveling een afsluitkraan te monteren op een goed bereikbare plek.
- 3) Bevestig de flexibele grijze afvoerslang (meegeleverd) aan de R3/4"-aansluiting aan de achterzijde van de ijsmachine zoals weergegeven en draai deze handvast aan. Let er daarbij op dat de rubberen afstandsring goed is aangebracht om lekkage te voorkomen. De slang kan zonnodig op lengte worden gesneden voor een passende aansluiting op de hoofdafvoer.

Luchtgekoeld model



[Watergekoeld model]

- * Hoshizaki raadt aan om de watergekoelde condensor aan te sluiten op een hercirculerend koelsysteem met gesloten circuit, voorzien van een toren, waterkoeler of gelijksoortige installatie. Het vullen met water moet via een kogelventiel/mengvat plaatsvinden.
- * Hoewel het aansluiten van een watergekoelde condensor op een drinkwaterleiding geen invloed heeft op de prestaties van de machine, wordt dit in verband met het hoge verbruik afgeraden.
- * Voor een correcte installatie moet een bevoegde of erkende loodgieter worden ingeschakeld.
- * De aansluitingen moeten in overeenstemming zijn met de van toepassing zijnde landelijke of plaatselijke voorschriften.

[a] Standaardaansluiting volgens de WRAS-voorschriften in het Verenigd Koninkrijk.

- * Bij het kiezen van een koeltoren moet u rekening houden met de volgende piekwaarden van de warmtestroming in de condensor:

Model IM-240AW: 5235 W

- * Leidingen tussen de koeltoren en de ijsmachine moeten minstens 20 mm in doorsnee zijn om drukverlies op te vangen, ondanks dat de aansluitingen van de ijsmachine zelf 13 mm in doorsnee zijn.
- * Drukverlies in het watercircuit binnen de ijsmachine zal 5 tot 6 m bedragen als het koelwater een stroomsnelheid heeft van 4 tot 5 l/min.
- * Houd bij het selecteren van een circulatiepomp rekening met bovenstaande warmtestromingswaarden.
- * Gebruik geen cascadepomp omdat het waterregelventiel de stroming zal variëren en deze tijdens de ontdooicyclus zal stoppen.

[Ijsmachineaansluitingen]

- 1) Bevestig het gebogen uiteinde van de flexibele toevoerslang (meegeleverd) aan de G3/4"-aansluiting aan de achterzijde van de ijsmachine zoals weergegeven. Let er daarbij op dat de rubber afdichting goed is aangebracht. Voorkom lekkage door de aansluiting handvast aan te draaien.
- 2) Bevestig het andere uiteinde van de toevoerslang aan de waterkraan. Zorg ervoor dat de afdichting goed is aangebracht voordat u de aansluiting handvast aandraait.

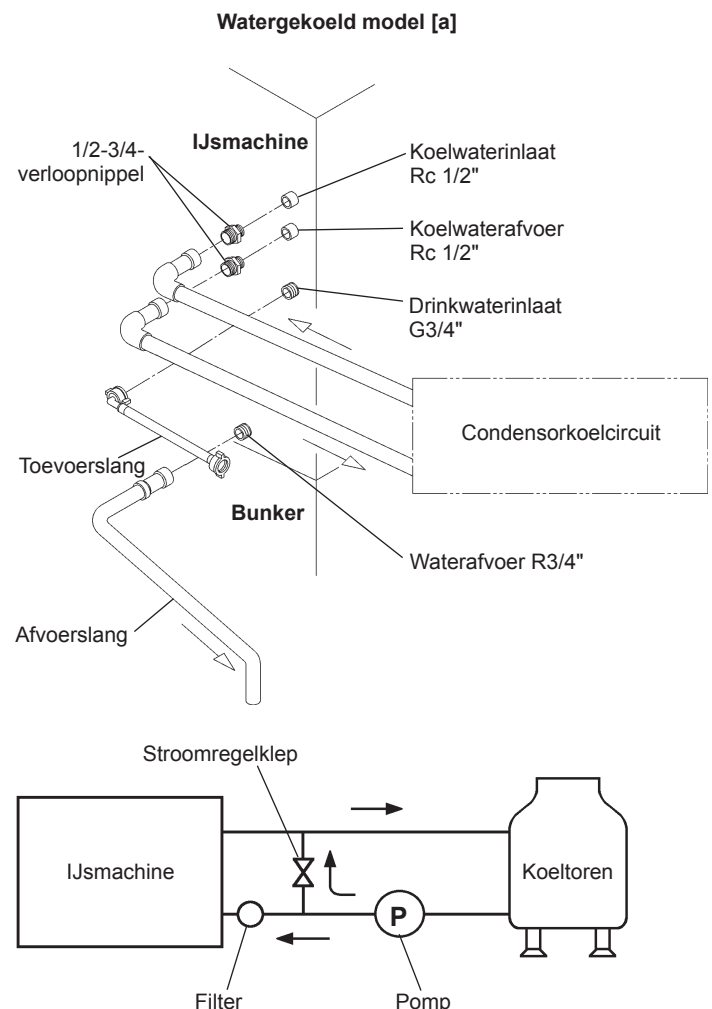
Opmerking: Indien waterfiltering of -zuivering wordt gebruikt, dient u ervoor te zorgen dat alleen de ijsmachine is aangesloten op de gezuiverde watertoevoer, niet de condensor.

- 3) Draai de flexibele grijze afvoerslang (meegeleverd) handvast aan op de R3/4 aansluiting aan de achterzijde van de ijsmachine zoals aangegeven. Zorg er daarbij voor dat de rubber afdichting goed is aangebracht voor een lekvrije aansluiting. De slang kan zonnodig op lengte worden gesneden voor een passende aansluiting op de hoofdafvoer.

- 4) Draai de 1/2"-3/4"-nippels (accessoire) met behulp van een geschikte (schroef)sleutel in de 1/2"-aansluitingen aan de achterzijde van de ijsmachine zoals weergegeven. Voor een lekvrije verbinding moet PTFE-tape en/of een geschikte afdichtingspasta worden gebruikt.

Opmerking: de koppelingselementen moeten zijn goedgekeurd en moeten geschikt zijn voor gebruik met drinkwater.

- 5) Sluit het condensorkoelcircuit door middel van een onbuigzame pijp aan op de vrije uiteinden van de 1/2"-3/4"-verloopnippels zoals aangegeven.



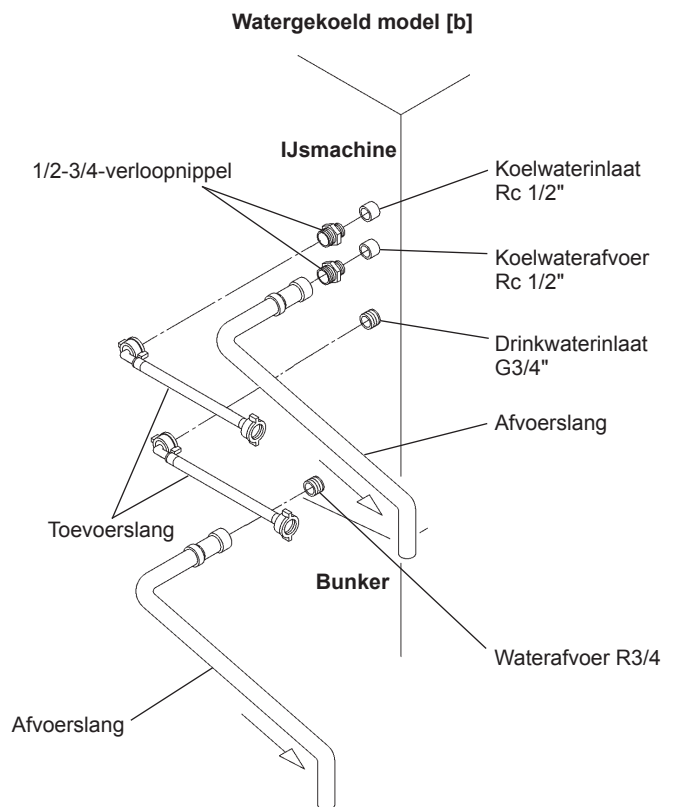
NEDERLANDS

[b] Aansluitingen volgens voorschriften die afwijken van de WRAS-voorschriften, met gebruikmaking van meegeleverde slangen.

- 1) Volg stappen 1 t/m 4 zoals in [a] hierboven.
- 2) Voor condensoraansluitingen moet u de meegeleverde slangen gebruiken en dezelfde aansluitingen maken als in stappen 1 t/m 3, zoals in [a] boven op de vrije uiteinden van de 1/2"-3/4"-nippels zoals aangegeven.

8. OPSTARTPROCEDURE

- 1) Draai de waterkraan open.
- 2) Sluit de netvoeding aan en schakel de ijsmachine in.
- 3) Op het display wordt "on" weergegeven.
- 4) Nu gebeurt achtereenvolgens het volgende:
 - a) De heetgasklep gaat open.
 - b) De compressor start na 30 seconden.
 - c) De waterbak gaat volledig open.
 - d) De magneetklep voor het watersysteem opent zich.
 - e) De waterbak begint zich te sluiten (heetgasklep gesloten).
 - f) De waterbak is geheel gesloten - De pompmotor begint te draaien.
 - g) De magneetklep voor het watersysteem sluit.



▲HYGIËNE

Controleer de kwaliteit van het geproduceerde ijs.

Het ijs dat tijdens het testen van de ijsmachine is geproduceerd, mag niet worden gebruikt voor consumptie. Het is mogelijk verontreinigd met deeltjes afkomstig uit het watercircuit. Gooi het ijs weg in de afvoer.

Maak voor ingebruikname van de ijsmachine eerst de bunker schoon (zie "III. 1. SCHOONMAKEN" in de instructiehandleiding).

9. LAATSTE CONTROLES

- 1) Controleer op de juiste spanning.
- 2) Controleer of de ijsmachine juist geaard is.
- 3) Controleer of de ijsmachine trillingvrij is.
- 4) Controleer of alle panelen zijn aangebracht en vastzitten.
- 5) Controleer de inhoud aan de hand van "8. OPSTARTPROCEDURE".
- 6) Controleer de watertoevoer en de slangaansluitingen op lekkage.
- 7) Geef de gebruiker instructies met betrekking tot het juiste gebruik van de machine. Overhandig de instructiehandleiding aan de gebruiker.

INFORMACIÓN IMPORTANTE DE SEGURIDAD

A lo largo de este manual aparecerán avisos para llamar su atención sobre situaciones que podrían tener como consecuencia la muerte, heridas graves o daños en la unidad.

▲ADVERTENCIA	Indica una situación peligrosa que, de no evitarse, podría tener como resultado la muerte o heridas graves.
▲ATENCIÓN	Indica una situación peligrosa que, de no evitarse, podría tener como resultado heridas leves o moderadas.
AVISO	Indica una situación peligrosa que, de no evitarse, podría tener como resultado daños en la unidad.
▲HIGIENE	Indica precauciones importantes para la higiene y la seguridad de la comida.
IMPORTANTE	Indica información importante acerca del uso y el cuidado de la unidad.

IMPORTANTE

Para realizar la instalación del producto de modo seguro y efectivo, lea previamente este folleto con atención y siga sus instrucciones.

Una vez finalizada la instalación, inicie la máquina de hielo para asegurarse de que está todo correcto. Indique al usuario cómo utilizar y mantener la máquina de hielo de acuerdo con el manual de instrucciones.

Este folleto deberá entregarse al usuario al finalizar la instalación para que lo guarde junto con el manual de instrucciones para cualquier consulta que sea necesaria.

▲ADVERTENCIA

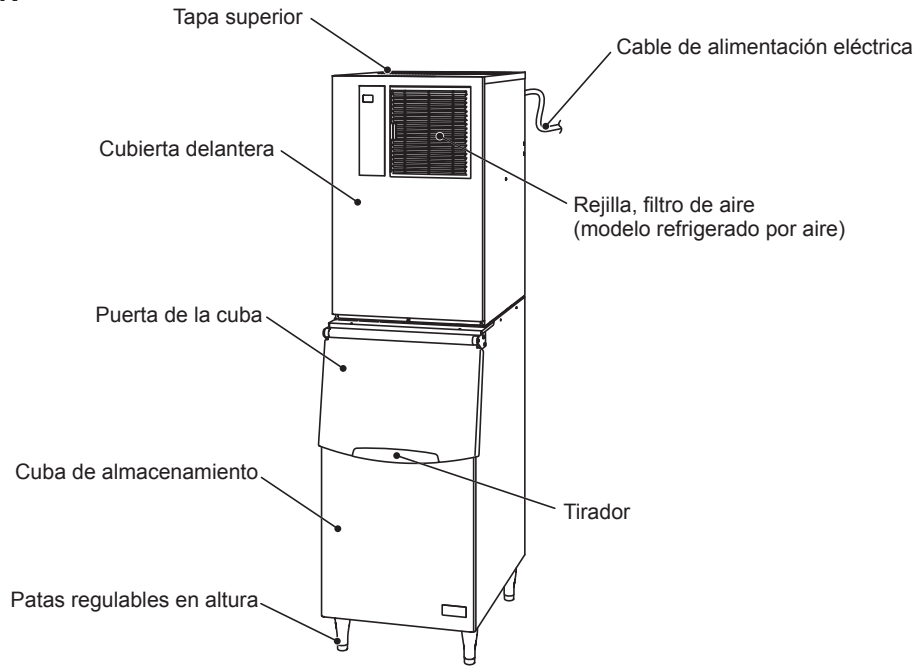
Esta máquina de hielo comercial solo debe utilizarse para los fines para los que ha sido expresamente diseñada. Asimismo, deberá acoplarse a la cuba de almacenamiento que corresponda según las especificaciones de Hoshizaki.

Cualquier otra utilización deberá considerarse inadecuada y, por lo tanto, potencialmente peligrosa. El fabricante no será responsable de ningún daño causado por un uso incorrecto, inadecuado o irracional.

La instalación y, si fuera necesario, la reubicación, deben ser realizadas únicamente por personal cualificado, de acuerdo con la normativa vigente y con las instrucciones del fabricante.

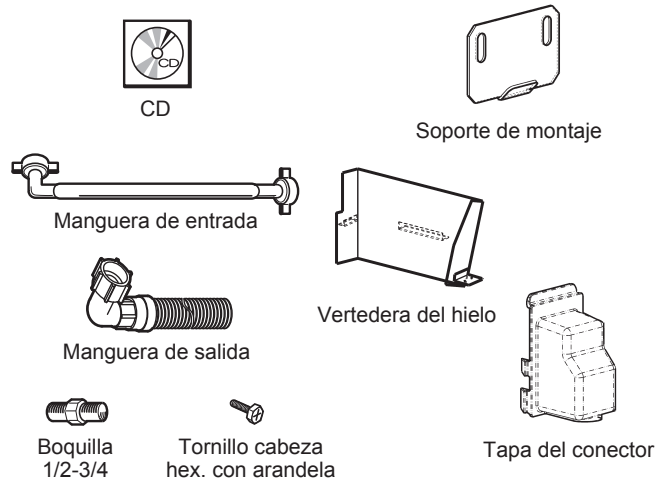
Mantenga los orificios de ventilación, de la carcasa de la máquina o de la estructura integrada, libres de cualquier obstrucción.

1. CONSTRUCCIÓN



2. ACCESORIOS

	IM-240ANE	IM-240AWNE
CD	1	1
Manguera de entrada	1	2
Manguera de salida	1	2
Boquilla 1/2-3/4	-	2
Soporte de montaje	2	2
Tornillos cabeza hex. M5 con arandela	2	2
Vertedera del hielo	1	1
Tornillos cabeza hex. M4 con arandela	2	2
Tapa del conector	1	1



3. DESEMBALAJE

⚠ ADVERTENCIA

No deje al alcance de los niños el material de embalaje (bolsas de plástico y poliestireno expandido), ya que son fuentes potenciales de peligro.

⚠ ATENCIÓN

No levante ni manipule el cartón usando las cintas de embalaje.

Cuando desplace la unidad con la mano, desmonte las tapas y sujete el marco de la misma.

Lleve siempre guantes protectores al transportar la unidad.

Cuando vaya a manipular el cartón o la unidad desembalada, hágalo con la ayuda de otra persona para evitar daños.

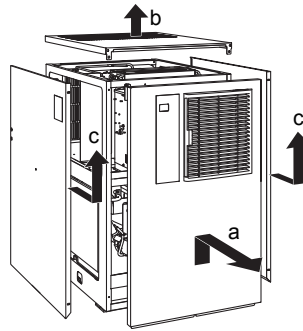
AVISO

Retire el cartón, la(s) cinta(s) y el embalaje de expedición. La máquina de hielo no funcionará correctamente si no se quita el material de embalaje.

Nota: Esta máquina de hielo necesita una cuba de almacenamiento. Hoshizaki recomienda las siguientes cubas de almacenamiento de hielo:

- B301SA----- IM-240ANE
- B501SA (Kit superior 8D) ----- IM-240ANE
- B801SA (Kit superior 4DM)----- IM-240ANE x 2

1) Una vez que haya quitado el embalaje asegúrese de que la máquina de hielo y la cuba de almacenamiento estén en buen estado. En caso de duda, no use la máquina de hielo y consulte a profesionales cualificados. Para los procedimientos de instalación y desembalaje véase la hoja de instrucciones que acompaña a la cuba de almacenamiento.



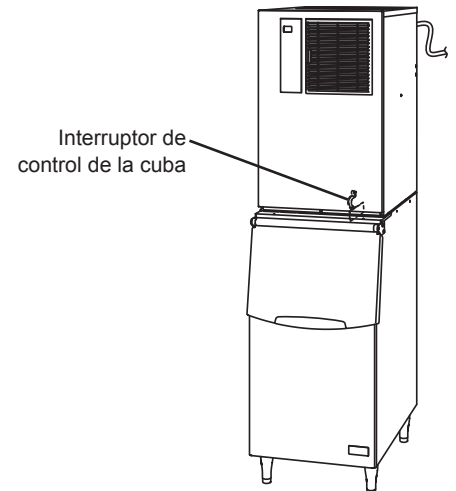
- a) Tapa delantera: Retire los tornillos. Levante y tire hacia usted.
- b) Tapa superior: Retire los tornillos. Simplemente levántela.
- c) Tapa lateral: Retire los tornillos. Deslícela ligeramente hacia delante y, a continuación, levántela.
- d) Tapa trasera: No requiere desmontaje.

2) Desmonte las tapas de la máquina de hielo para acceder al kit de accesorios y proceder a la instalación más fácilmente.

3) Retire el embalaje de los accesorios. Verifique el contenido de acuerdo con "2. ACCESORIOS".

4) Quite la cinta de embalaje que sujeta el interruptor de control de la cuba.

5) Retire el plástico protector del exterior. Si la máquina de hielo está expuesta al sol o al calor, quítele la película una vez que se haya enfriado.



4. UBICACIÓN

⚠ ADVERTENCIA

Esta máquina de hielo no está diseñada para uso en el exterior.

La máquina de hielo no debe colocarse cerca de hornos, parrillas u otras fuentes de calor.

Este aparato no es apropiado para su instalación en una zona en la que pueda haber un chorro de agua.

⚠ ATENCIÓN

La máquina de hielo debe ubicarse sobre una base firme y nivelada.

AVISO

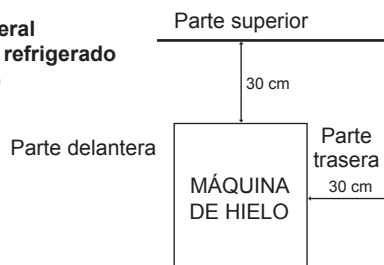
No coloque nada encima de la máquina de hielo ni delante de la rejilla.

IMPORTANTE

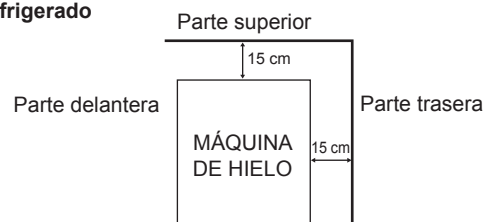
La temperatura ambiente normal de funcionamiento deberá oscilar entre 1 °C y 40 °C. La conexión al suministro de agua es únicamente para agua fría. La utilización de la máquina de hielo fuera de estos márgenes de temperatura normal por periodos prolongados puede afectar su capacidad de producción.

Deje el espacio especificado a continuación para permitir la circulación de aire y facilitar las eventuales operaciones de reparación o mantenimiento.

**Vista lateral
(Modelo refrigerado
por aire)**



**Vista lateral
(Modelo refrigerado
por agua)**



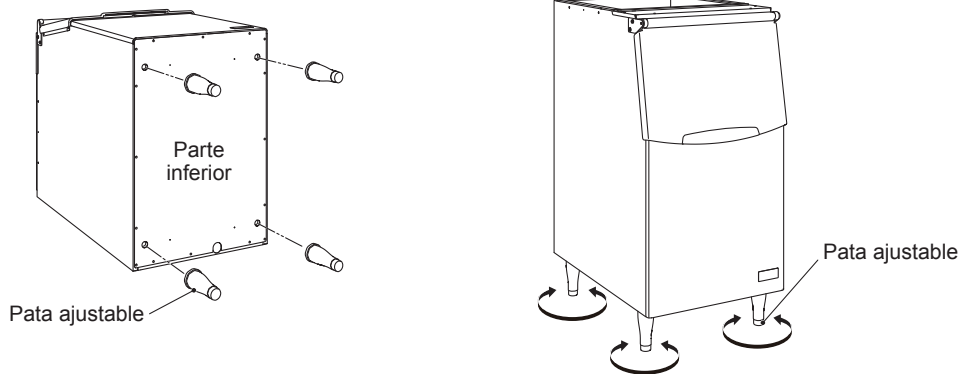
Es posible que en algunos entornos con un nivel alto de humedad se forme condensación en el interior de la máquina y gotee en el suelo. No la instale en suelos sensibles al agua.

5. INSTALACIÓN

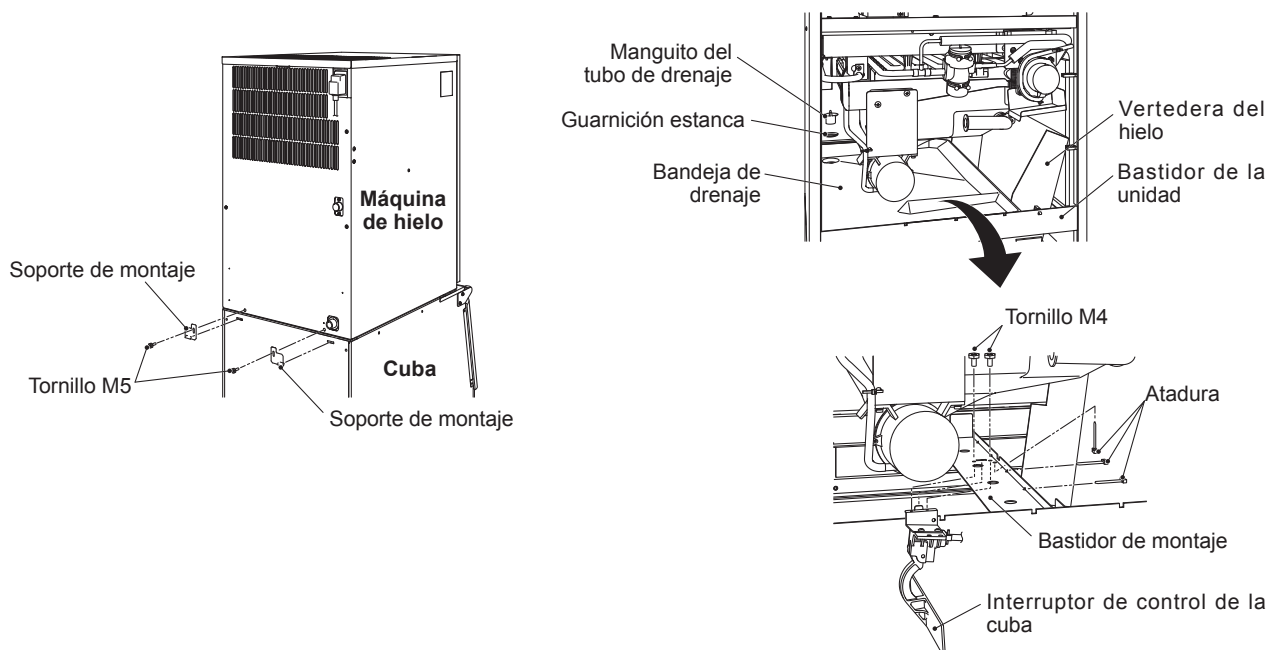
⚠ ATENCIÓN

El fabricante no se hace responsable de los daños a personas, animales u otros elementos provocados por una instalación incorrecta.

- 1) Tumbes con cuidado la cuba de almacenamiento sobre su parte posterior para evitar dañarla. Asegure las cuatro patas ajustables (acesorio de la cuba) en los cuatro orificios roscados situados en la parte inferior de la cuba.
- 2) Coloque la cuba de almacenamiento en la posición permanente seleccionada y nivélela tanto respecto del eje lateral como del anteroposterior.



- 3) Desmonte las tapas de la máquina de hielo. No es necesario desmontar la tapa trasera para la instalación. Consulte "3. DESEMBALAJE".
- 4) Coloque la máquina de hielo encima de la cuba de almacenamiento sujetándola por la parte inferior.
- 5) Asegure la máquina de hielo a la cuba de almacenamiento por la parte trasera mediante los soportes de montaje y los tornillos que se proporcionan.
- 6) Con un sellador apto para alimentación, selle la junta entre la máquina de hielo y la cuba de almacenamiento.
- 7) Extraiga el manguito del tubo de drenaje y la bandeja de drenaje. Fije el interruptor de control de la cuba al bastidor de montaje con los dos tornillos que se proporcionan. Sujete los cables del interruptor de control de la cuba con las dos abrazaderas de nylon. Coloque la vertedera de hielo en el bastidor de la unidad y vuelva a montar la bandeja de drenaje en su posición correcta.
- 8) Vuelva a montar las tapas de la máquina de hielo en su posición correcta.



6. CONEXIONES ELÉCTRICAS

▲ ADVERTENCIA

ESTA MÁQUINA DEBE CONECTARSE A TIERRA

Esta máquina de hielo requiere una conexión a tierra conforme a la normativa eléctrica nacional y local.

Para evitar la posibilidad de fuertes descargas eléctricas a personas o graves averías de la unidad, conecte a la máquina un cable de puesta a tierra adecuado.

Antes de realizar operaciones de mantenimiento, reparación o limpieza, desconecte la unidad de la red eléctrica.

- * Este equipo necesita una alimentación de 220 – 240 VCA, 13 A aparte. El suministro eléctrico debe protegerse con un disyuntor apropiado.
- * Cada una de las máquinas de hielo instaladas una al lado de otra debería disponer de un receptáculo independiente, pero todas deben estar conectadas en paralelo a la misma fuente monofásica o a un mismo circuito con suficiente corriente máxima.
- * El fusible principal de la caja de control es de 5 A y solo debe sustituirlo un técnico de mantenimiento cualificado.
- * Normalmente son necesarios un permiso para obras eléctricas y los servicios de un electricista acreditado.
- * Si se daña el cable de alimentación, deberá sustituirse por un cable de repuesto disponible en los centros de repuestos/servicio de Hoshizaki.
- * De acuerdo con los requisitos de la norma IEC, la impedancia máxima permitida del sistema ($Z_{\text{máx.}}$) en el punto del interfaz de la alimentación eléctrica que debe conectarse a esta máquina de hielo es de $0,23+j0,23$ ohm. Después de haberlo consultado con la autoridad pertinente en caso de que sea necesario, establezca que la máquina de hielo sea conectada únicamente a un suministro de $0,23+j0,23$ ohm o menos.

Únicamente en el Reino Unido y la República de Irlanda

- * Los hilos del cable de red están coloreados de acuerdo con el código siguiente:

Verde y amarillo = Tierra

Azul = Neutro

Marrón = Activo

Es posible que los colores de los hilos del cable de red de este equipo no se correspondan con las marcas de color que identifican los terminales del enchufe que se utilice. En ese caso, proceda del modo siguiente:

El hilo verde y amarillo se debe conectar al terminal del enchufe marcado con la letra E o con el símbolo \perp , o de color verde o de color verde-amarillo. El hilo azul debe conectarse al terminal marcado con la letra N o de color negro. El hilo marrón debe conectarse al terminal marcado con la letra L o de color rojo.

- * En caso de que las tomas de corriente del lugar donde se va a instalar no sean adecuadas para el enchufe que se suministra con el producto, debe sustituirse el enchufe (cortándolo si está moldeado) por uno adecuado.

Si la clavija no reutilizable se ha cortado del cable de alimentación, dicha clavija debe desecharse. No trate de reutilizarla. La introducción de esta clavija en cualquier toma de corriente representa un grave riesgo de descarga eléctrica.

- * La clavija no reutilizable no debe utilizarse nunca sin una tapa de fusibles montada.

El recambio correcto de la tapa de fusibles desmontable se identifica por el número de referencia del fabricante grabado en la propia clavija.

Puede obtener tapas de fusibles de repuesto en los centros de repuestos/servicio de Hoshizaki.

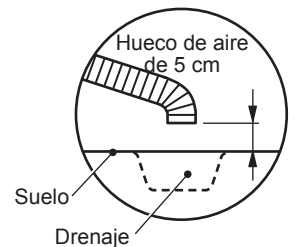
Los fusibles deben ser de 13 A y estar homologados según BS 1362.

7. SUMINISTRO DE AGUA Y CONEXIONES DE DRENAJE

⚠ ADVERTENCIA

Conecte la máquina únicamente a un suministro de agua fría potable.

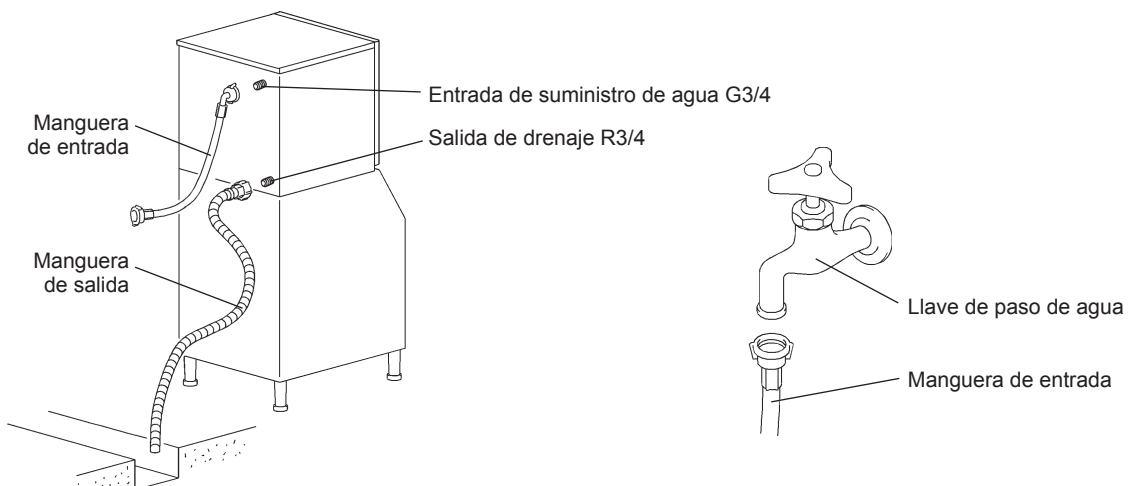
- * La conexión a la red de suministro general de agua debe hacerse según la regulación vigente de cada país en materia de suministro de agua o racores.
- * El agua para la fabricación de hielo debe ser potable. En los casos en los que la acumulación de sarro se deba a la calidad del agua:
 - Se recomienda la instalación de un descalcificador o un filtro externo. Póngase en contacto con un profesional en el tratamiento de aguas local o con un agente de servicio de Hoshizaki.
 - Se recomienda el cambio al modo de "aclorado con drenaje completo". Póngase en contacto con el servicio técnico de Hoshizaki de su zona.
- * La presión del suministro de agua debe ser de 0,07 MPa (0,7 bar) como mínimo y de 0,78 MPa (8 bar) como máximo. Si la presión es superior a 0,78 MPa (8 bar), utilice una válvula reductora adecuada. NO trate de reducir la presión actuando sobre la llave de paso.
- * En algunas localidades pueden ser necesarios un permiso para obras de fontanería y los servicios de un fontanero acreditado.
- * El drenaje de la máquina de hielo se realiza por gravedad, de modo que la manguera de drenaje debe disponer de la pendiente y altura adecuadas.
- * Las tuberías no deberían instalarse directamente al drenaje. Debe quedar un hueco de aire vertical de al menos 5 cm entre el extremo de las mangueras de drenaje de la máquina de hielo y la cuba de almacenamiento y el drenaje del suelo.
- * Se debe evitar el retorno de flujo a la cuba de almacenamiento.
- * En los modelos refrigerados por agua, puede ser necesario instalar un dispositivo que impida el reflujó en el circuito de agua de refrigeración.
- * Asegúrese de que utiliza los tubos nuevos que se suministran con el equipo. No reutilice ninguna manguera antigua.



[Modelo refrigerado por aire]

- 1) Una el extremo acodado de la manguera flexible de entrada (accesoria) al racor G3/4 en la parte trasera de la máquina de hielo, tal como se muestra, verificando que la junta de goma quede correctamente colocada. Apriete a mano lo suficiente para conseguir una junta estanca.
- 2) Acople el otro extremo de la manguera de entrada al colector de agua, comprobando, antes de apretar a mano, que la junta esté bien colocada. Como medida de precaución, es conveniente tener a mano una válvula de cierre.
- 3) Apriete a mano la manguera flexible gris de salida (accesoria) en el racor R3/4 en la parte trasera de la máquina de hielo tal como se muestra, verificando que la arandela de goma quede correctamente colocada para obtener una conexión estanca. Puede cortar la manguera a la longitud necesaria ajustándolo a la posición del drenaje principal.

Modelo refrigerado por aire



[Modelo refrigerado por agua]

- * Hoshizaki recomienda conectar el condensador refrigerado por agua a un sistema de refrigeración de circuito cerrado que utilice una torre, refrigerador de agua o similar. La admisión de agua debe efectuarse mediante una disposición con válvula de bola/depósito de vaciado.
- * Aunque conectar un condensador refrigerado por agua a la red de suministro general de agua (potable) no afectará al funcionamiento de la máquina, con toda probabilidad provocará un alto consumo/desperdicio de un recurso valioso, por lo que no se recomienda.
- * Para asegurar una correcta instalación debe recurrirse a los servicios de un fontanero acreditado.
- * Las conexiones deben efectuarse adecuadamente y conforme a las normativas nacionales o locales vigentes.

[a] Conexiones estándar de acuerdo con las normativas WRAS en el Reino Unido.

- * Para seleccionar una torre de refrigeración, remítase a los valores máximos siguientes de flujo de calor en el condensador:

Modelo IM-240AW: 5235 W

- * Los tubos entre la torre de refrigeración y la máquina de hielo deben tener un diámetro mínimo de 20 mm a fin de reducir la pérdida de presión, aun cuando los racores de la máquina tengan un diámetro de 13 mm.
- * La pérdida de presión en el circuito de agua en el interior de la unidad será de 5-6 m cuando el agua de refrigeración circule a 4-5 l/min.
- * Seleccione una bomba de circulación conforme a los valores anteriormente indicados de flujo de calor.
- * No utilice una bomba en cascada, puesto que el regulador de agua alterará el caudal y lo detendrá durante el ciclo de descongelación.

[Conexiones de la máquina de hielo]

1) Una el extremo acodado de la manguera flexible de entrada (accesoria) al racor G3/4 en la parte posterior de la máquina de hielo, tal como se muestra, verificando que la junta de goma quede correctamente colocada. Apriete a mano lo suficiente para conseguir una junta estanca.

2) Acople el otro extremo de la manguera de entrada al colector de agua, comprobando, antes de apretar a mano, que la junta esté bien colocada.

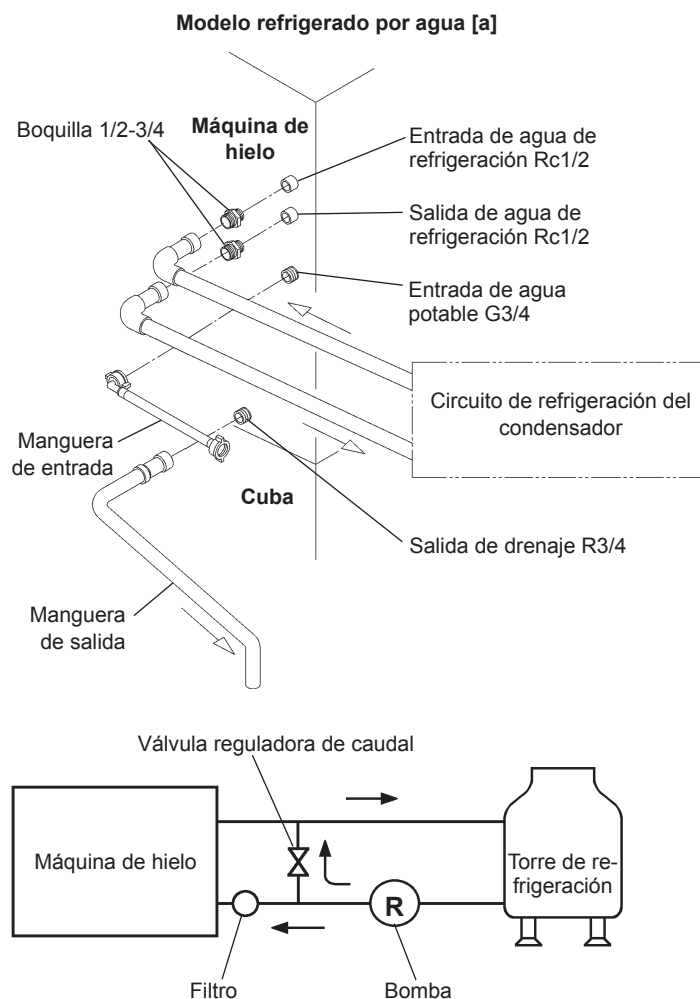
Nota: Si se utiliza un filtro o tratamiento del agua, asegúrese de que solo se suministre agua tratada a la parte de fabricación de hielo y no al condensador.

3) Una la manguera gris de salida (accesoria) en el racor R3/4 en la parte posterior de la máquina de hielo, tal como se muestra, verificando que la junta de goma quede correctamente colocada antes de apretar a mano la unión. Puede cortar la manguera a la longitud necesaria ajustándolo a la posición del drenaje principal.

4) Con unos alicates o una llave adecuada, apriete las boquillas 1/2-3/4 (accesorias) a los racores Rc1/2 de la parte posterior de la máquina, tal como se muestra. Debe utilizarse cinta P.T.F.E. y/o un compuesto sellador adecuado para obtener una junta estanca.

Nota: Los componentes de la junta deben ser adecuados y deben estar homologados para uso con agua potable.

5) Conecte el circuito de refrigeración del condensador al extremo libre de las boquillas 1/2-3/4 como se muestra con un tubo rígido de tipo adecuado.

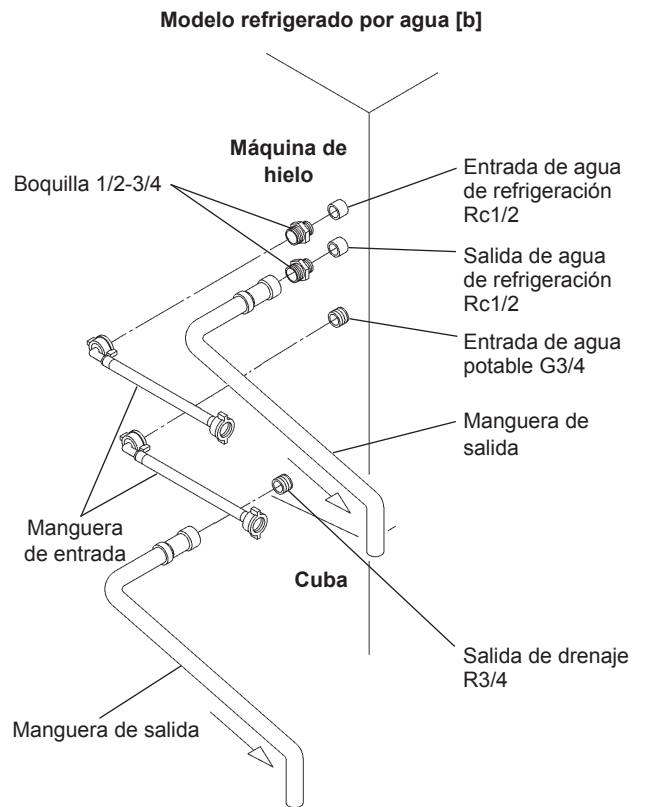


[b] Conexiones conforme a normativas diferentes a WRAS con mangueras accesorias

- 1) Siga los pasos 1) a 4) descritos anteriormente en [a].
- 2) Para las conexiones del condensador utilice los tubos accesorios que se suministran y realice las mismas conexiones de la 1) a la 3) del apartado [a] anterior en el extremo libre de las boquillas 1/2-3/4 como se muestra.

8. PROCEDIMIENTO DE PUESTA EN MARCHA

- 1) Abra la llave de paso del agua.
- 2) Conecte y active la alimentación eléctrica.
- 3) La pantalla muestra la palabra de encendido “on”.
- 4) Debería producirse la siguiente secuencia:
 - a) La válvula de gas caliente se abre.
 - b) El compresor arrancará después de 30 segundos.
 - c) La bandeja de agua se abre completamente.
 - d) La electroválvula del agua se abre.
 - e) La bandeja de agua empieza a cerrarse (válvula de gas caliente cerrada).
 - f) Bandeja de agua completamente cerrada - El motor de la bomba se pone en marcha.
 - g) La electroválvula del agua se cierra.



⚠ HIGIENE

Compruebe el estado y la calidad de la producción de hielo.

No use el hielo obtenido durante el periodo de prueba. Puede estar contaminado con cuerpos extraños del circuito del agua. Deseche o lave con agua el drenaje.

Limpie la cuba de almacenamiento antes de utilizarla (véase "III. 1. LIMPIEZA" en el Manual de instrucciones).

9. COMPROBACIONES FINALES

- 1) Compruebe que el voltaje sea correcto.
- 2) Compruebe que la máquina de hielo esté correctamente conectada a tierra.
- 3) Compruebe que la máquina de hielo no vibre.
- 4) Compruebe que los paneles estén bien fijados.
- 5) Compruebe que el funcionamiento sea correcto de acuerdo con "8. PROCEDIMIENTO DE PUESTA EN MARCHA".
- 6) Verifique el suministro de agua y las conexiones de drenaje en busca de fugas.
- 7) Indique al usuario el uso correcto de la máquina. Entregue el manual de instrucciones al usuario.

INFORMAZIONI IMPORTANTI SULLA SICUREZZA

All'interno del manuale compaiono degli avvertimenti che intendono attirare l'attenzione dell'operatore su situazioni che potrebbero causarne la morte, lesioni gravi o danneggiare l'apparecchio.

▲AVVERTENZA	Indica una situazione pericolosa che, se non evitata, potrebbe causare la morte o lesioni gravi.
▲ATTENZIONE	Indica una situazione pericolosa che, se non evitata, potrebbe causare lesioni di lieve o media entità.
AVVISO	Indica una situazione pericolosa che, se non evitata, potrebbe causare danni all'unità.
▲IGIENE	Indica importanti precauzioni per l'igiene e la sicurezza alimentare.
IMPORTANTE	Indica informazioni importanti in merito all'uso e alla manutenzione dell'unità.

IMPORTANTE

Al fine di installare il prodotto in modo sicuro e corretto, si raccomanda di leggere prima attentamente il presente manuale e di seguire le istruzioni in esso contenute.

Una volta completata l'installazione, avviare la macchina per verificare che non presenti anomalie. Istruire l'utente in merito all'uso e alla manutenzione della macchina in conformità a quanto riportato nel manuale.

Il presente manuale deve essere consegnato all'utente dopo l'installazione, perché lo conservi insieme al manuale di istruzioni per eventuali necessità di consultazione.

▲AVVERTENZA

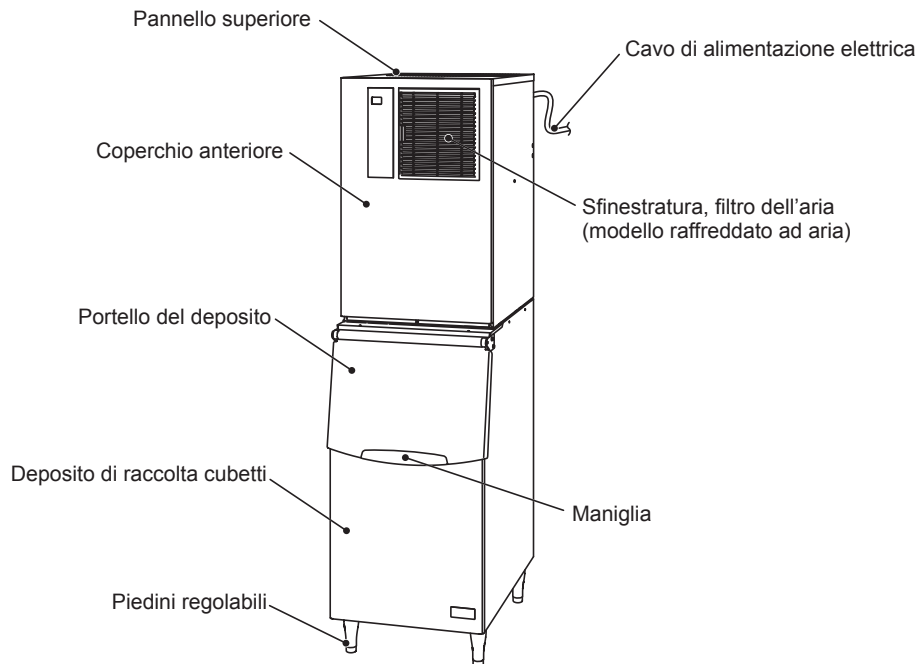
Questa è una macchina industriale e deve essere utilizzata esclusivamente per gli impieghi per la quale è stata espressamente progettata e collegata a un deposito di raccolta cubetti appropriato specificato da Hoshizaki.

Qualunque altro impiego è da considerarsi improprio e pertanto pericoloso. La casa costruttrice declina ogni responsabilità per eventuali danni provocati da uso improprio, non corretto o sconsiderato.

L'installazione e, se necessario, lo spostamento, devono essere eseguiti da personale specializzato, in conformità alle norme vigenti e alle istruzioni della casa costruttrice.

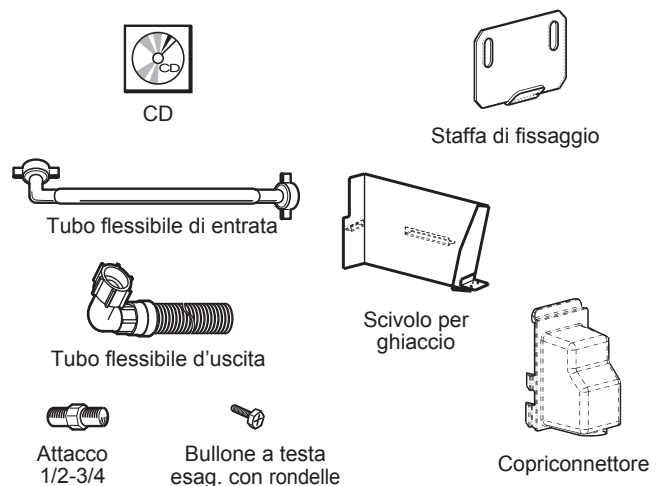
Mantenere prive di ostruzioni le aperture di ventilazione della custodia della macchina o della struttura incorporata.

1. COMPONENTI



2. ACCESSORI

	IM-240ANE	IM-240AWNE
CD	1	1
Tubo flessibile di entrata	1	2
Tubo flessibile d'uscita	1	2
Attacco 1/2-3/4	-	2
Staffa di fissaggio	2	2
Bullone a testa esag. M5 con rondelle	2	2
Scivolo per ghiaccio	1	1
Bullone a testa esag. M4 con rondelle	2	2
Copriconnettore	1	1



3. DISIMBALLAGGIO

⚠ AVVERTENZA

Tenere gli elementi d'imballaggio (sacchetti in plastica e polistirolo espanso) lontano dalla portata dei bambini, perché potenzialmente pericolosi.

⚠ ATTENZIONE

Non sollevare o maneggiare il cartone mediante il nastro d'imballaggio.

Quando si sposta l'unità manualmente, rimuovere i pannelli e afferrare l'intelaiatura dell'unità.

Indossare sempre guanti protettivi per trasportare l'unità.

Per evitare il rischio di lesioni, lavorare sempre in coppia quando si movimenta la scatola o l'unità disimballata.

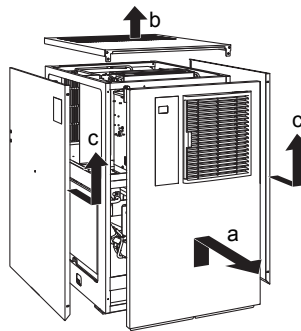
AVVISO

Rimuovere il cartone d'imballaggio, il nastro/i e l'imballaggio. La macchina non funziona in modo corretto se non si rimuove tutto il materiale d'imballaggio.

Nota: la macchina deve essere dotata di un deposito di raccolta cubetti. Hoshizaki consiglia i seguenti depositi di raccolta cubetti:

- B301SA-----IM-240ANE
- B501SA (Kit superiore 8D)-----IM-240ANE
- B801SA (Kit superiore 4DM)-----IM-240ANE x 2

1) Dopo la rimozione dell'imballaggio, accertare che la macchina e il deposito di raccolta cubetti siano in buone condizioni. Qualora sorgano dubbi in merito, non utilizzare la macchina ma rivolgersi a personale qualificato. Per le indicazioni di disimballaggio e installazione si veda il relativo foglio d'istruzioni allegato al deposito di raccolta cubetti.



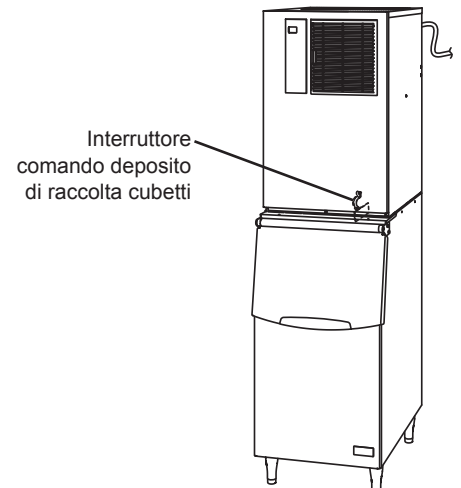
- a) Coperchio anteriore: rimuovere la vite o le viti. Sollevare e tirare verso di sé.
- b) Pannello superiore: rimuovere la vite o le viti. Sollevare.
- c) Pannello laterale: rimuovere la vite o le viti. Far scorrere leggermente in avanti, quindi sollevare.
- d) Pannello posteriore: non è necessario rimuoverlo.

2) Smontare i pannelli della macchina per accedere al kit accessori e per agevolare l'installazione.

3) Rimuovere l'imballaggio contenente gli accessori. Verificarne il contenuto secondo quanto riportato al punto "2. ACCESSORI".

4) Togliere il nastro adesivo che fissa l'interruttore di controllo deposito.

5) Rimuovere dalla parte esterna la pellicola protettiva in plastica. In caso di esposizione al sole o a fonti di calore, rimuovere la pellicola dopo aver lasciato raffreddare la macchina.



4. UBICAZIONE

⚠ AVVERTENZA

La macchina non è adatta per essere utilizzata all'aria aperta.

La macchina non deve essere ubicata in prossimità di forni, grill o altri apparecchi che producono calore.

La macchina non è adatta per l'installazione in un'area in cui è possibile utilizzare un getto d'acqua.

⚠ ATTENZIONE

Il pavimento su cui poggia deve garantire alla macchina una base solida e piana.

AVVISO

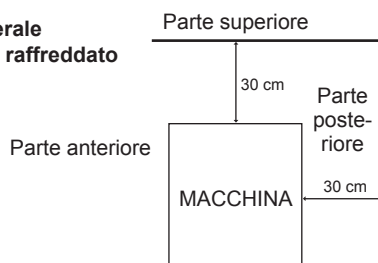
Non posizionare alcun oggetto sulla sommità della macchina e davanti alla sfinestratura.

IMPORTANTE

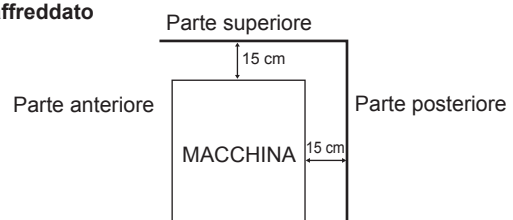
La normale temperatura ambiente d'esercizio deve essere compresa tra 1°C e 40°C. Il collegamento all'approvvigionamento dell'acqua è solo per acqua fredda. Il prolungato funzionamento della macchina con valori che non rientrano nelle gamme previste può comprometterne la capacità di produzione.

Lasciare uno spazio equivalente a quello sotto specificato in modo da favorire la circolazione dell'aria e le eventuali operazioni di manutenzione o servizio.

**Vista laterale
(modello raffreddato
ad aria)**



**Vista laterale
(modello raffreddato
ad acqua)**



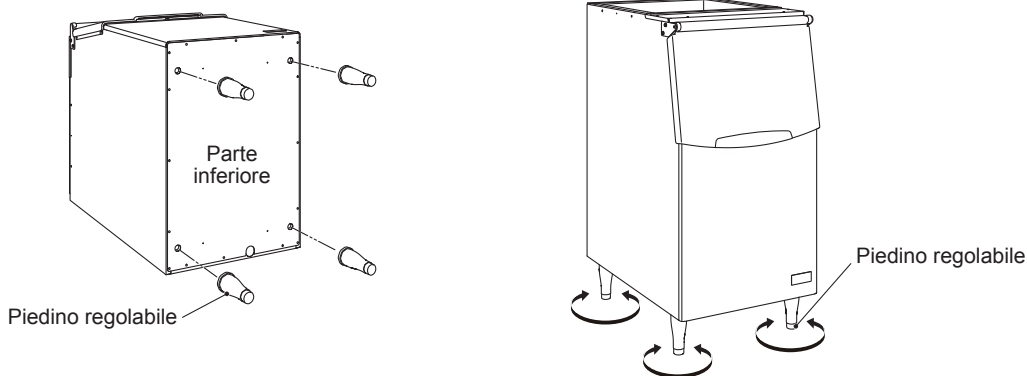
In alcuni ambienti ad alta umidità, all'interno della macchina potrebbe formarsi della condensa che si riversa poi sul pavimento. Non installare la macchina su un pavimento che potrebbe danneggiarsi a causa dell'acqua.

5. INSTALLAZIONE

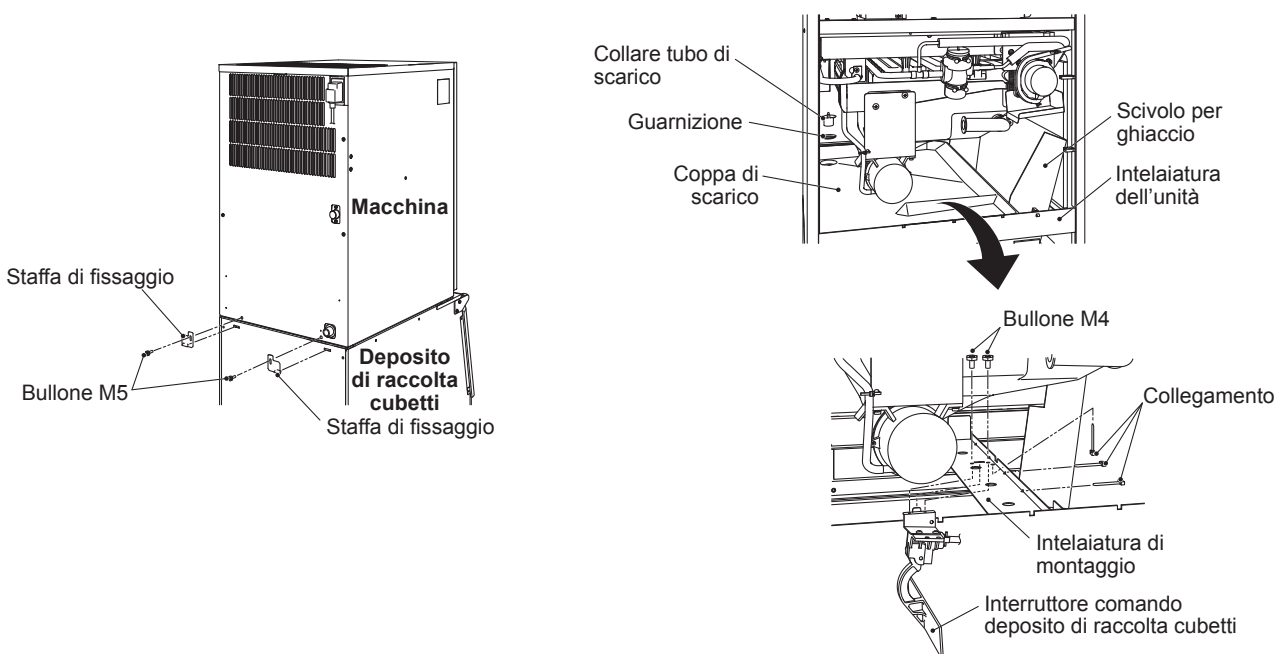
⚠ATTENZIONE

L'installazione non corretta può provocare lesioni alle persone, agli animali e danni materiali, per i quali la casa costruttrice declina ogni responsabilità.

- 1) Appoggiare con cura il deposito di raccolta cubetti sul lato posteriore al fine di prevenire eventuali danni. Fissare i quattro piedini regolabili (in dotazione con il deposito) nei quattro fori filettati sul lato inferiore del deposito.
- 2) Posizionare il deposito di raccolta cubetti nell'ubicazione permanente scelta e regolarlo nelle direzioni sinistra-destra e anteriore-posteriore.



- 3) Smontare i pannelli della macchina. Non è necessario smontare il pannello posteriore per l'installazione. Vedere "3. DISIMBALLAGGIO".
- 4) Afferrandone il fondo, collocare la macchina sopra il deposito di raccolta cubetti.
- 5) Fissare la macchina al deposito di raccolta cubetti posteriormente, servendosi delle staffe di montaggio e dei bulloni in dotazione.
- 6) Sigillare la linea di giunzione fra la macchina e il deposito di raccolta cubetti mediante sigillante per alimenti.
- 7) Togliere il collare del tubo di scarico e la coppa di scarico. Fissare l'interruttore comando deposito di raccolta cubetti all'intelaiatura di montaggio con i due bulloni in dotazione. Fissare il cablaggio dell'interruttore comando deposito di raccolta cubetti con i due collegamenti in nylon. Posizionare lo scivolo per ghiaccio sull'intelaiatura dell'unità e rimontare la coppa di scarico nella posizione corretta.
- 8) Posizionare i pannelli della macchina nel modo corretto.



6. COLLEGAMENTI ELETTRICI

⚠ AVVERTENZA**LA MACCHINA DEVE ESSERE COLLEGATA A MASSA**

La macchina deve essere collegata a massa in modo da soddisfare le norme elettriche a livello locale e nazionale.

Per prevenire gravi lesioni da scosse elettriche alle persone e seri danni alla macchina, collegare alla medesima un idoneo cavo di massa.

Scollegare l'alimentazione principale prima di eseguire qualsiasi intervento di manutenzione, riparazione o pulizia.

- * Questa macchina richiede un'alimentazione separata a 220 - 240VCA, da 13A. L'alimentazione elettrica deve essere protetta da un interruttore automatico adeguato.
- * Le macchine installate affiancate devono avere ciascuna il proprio innesto femmina, tuttavia devono essere collegate in parallelo allo stesso alimentatore o circuito monofase di portata sufficiente.
- * Il fusibile della scatola di comando principale è da 5 A e deve essere sostituito esclusivamente da un tecnico di servizio specializzato.
- * Per eseguire interventi elettrici sono solitamente necessari un permesso specifico nonché l'assistenza di un elettricista qualificato.
- * Se il cavo di alimentazione è danneggiato, sostituirlo con un cavo di ricambio reperibile presso il centro assistenza/ricambi Hoshizaki.
- * In conformità ai requisiti dello standard IEC, la massima impedenza del sistema consentita (Z_{max}) sul punto di interfaccia dell'alimentazione elettrica da collegare alla macchina deve essere pari a $0,23+j0,23$ ohm. Determinare, se necessario consultando l'ente di fornitura, se la macchina è collegata solo a un'alimentazione di $0,23+j0,23$ ohm o inferiore.

Solo per il Regno Unito e la Repubblica d'Irlanda

- * I fili del cavo di alimentazione sono colorati in base al seguente codice:

verde e giallo = massa

blu = neutro

marrone = sotto tensione

Dato che i colori dei fili del cavo di alimentazione della macchina possono non corrispondere ai contrassegni colorati che identificano i terminali della spina dell'utente, procedere come segue.

Il filo verde e giallo deve essere collegato al terminale della spina contrassegnato dalla lettera E o dal simbolo \perp o di colore verde o verde e giallo. Il filo blu deve essere collegato al terminale della spina contrassegnato dalla lettera N o di colore nero. Il filo marrone deve essere collegato al terminale contrassegnato dalla lettera L o di colore rosso.

- * Se le prese a muro, nel luogo dell'installazione, non sono adatte alla spina appartenente alla dotazione del prodotto, togliere la spina (tagliandola se è del tipo pressofuso) e sostituirla con una spina adatta.

Se dal cavo di alimentazione elettrica è stata tagliata una spina di tipo non riciclabile, smaltirla. Non cercare di riutilizzarla. Inserire una spina del genere in una qualsiasi altra presa comporta un forte rischio di scosse elettriche.

- * La spina non riciclabile non va mai utilizzata senza aver montato un coprifusibile.

Per individuare il corretto ricambio del coprifusibile smontabile, leggere il numero di riferimento della casa costruttrice impresso sulla spina.

I coprifusibili possono essere reperiti presso il centro assistenza/ricambi Hoshizaki.

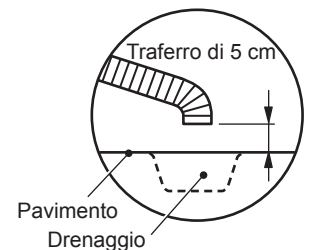
I fusibili devono essere di 13 A e con approvazione BS 1362.

7. COLLEGAMENTO DI ALIMENTAZIONE DELL'ACQUA E COLLEGAMENTO DI SCARICO

⚠AVVERTENZA

Collegare solo all'approvvigionamento dell'acqua potabile fredda.

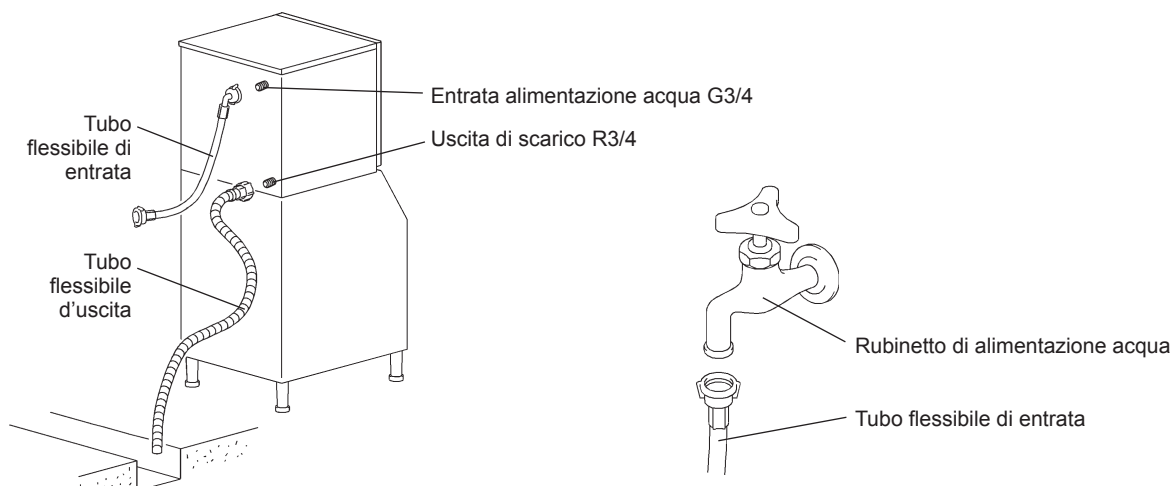
- * I collegamenti all'approvvigionamento idrico di rete devono essere eseguiti in conformità ai requisiti vigenti delle norme relative all'approvvigionamento dell'acqua e ai raccordi dell'acqua.
- * L'acqua utilizzata per la fabbricazione del ghiaccio deve essere potabile. Laddove la qualità dell'acqua può causare disincrostazione,
 - è consigliabile l'installazione di un filtro esterno o di un addolcitore. Contattare un esperto in trattamenti idrici locale o un agente dell'assistenza Hoshizaki.
 - È consigliabile impostare la modalità con flusso di scarico completo. Contattare il locale centro di assistenza Hoshizaki.
- * La pressione dell'approvvigionamento dell'acqua deve essere di minimo 0,07 MPa (0,7 bar) e massimo 0,78 MPa (8 bar). Se la pressione è superiore a 0,78 MPa (8 bar), utilizzare una valvola limitatrice di pressione appropriata. **NON** strozzare il rubinetto dell'acqua.
- * In alcune località, per eseguire lavori idraulici sono necessari un permesso specifico nonché l'assistenza di un idraulico qualificato.
- * La macchina è caratterizzata da un flusso di drenaggio a gravità: assicurarsi che il tubo di scarico abbia una pendenza adatta.
- * I circuiti di scarico non devono essere installati direttamente nella rete fognaria. È necessario lasciare un traferro verticale di minimo 5 cm tra l'estremità dei tubi di scarico dalla macchina e il deposito di raccolta cubetti e lo scarico a pavimento.
- * Prevenire un riflusso nel deposito di raccolta cubetti.
- * Nei modelli con raffreddamento ad acqua può essere necessario applicare nell'impianto di raffreddamento un dispositivo contro il riflusso.
- * Assicurarsi di utilizzare i nuovi set di tubi forniti con l'apparecchio. Non riutilizzare i set di tubi vecchi.



[Modello raffreddato ad aria]

- 1) Collegare l'estremità a gomito del tubo di entrata (flessibile, accessorio) al raccordo G3/4, situato sul lato posteriore della macchina, come indicato, facendo attenzione che la rondella di tenuta in gomma sia posizionata in modo corretto. Serrare a mano quanto basta a evitare perdite.
- 2) Collegare al rubinetto dell'acqua l'altra estremità del tubo flessibile di entrata, facendo attenzione che la rondella sia posizionata correttamente prima di serrare a mano come descritto in precedenza. È consigliabile per precauzione inserire una valvola di arresto in posizione facilmente accessibile.
- 3) Serrare a mano il tubo di uscita (flessibile grigio, accessorio) sul raccordo R3/4 sul lato posteriore della macchina come indicato, facendo attenzione che la rondella in gomma sia posizionata in modo corretto, per garantire un accoppiamento a tenuta stagna. Il tubo può essere tagliato alla lunghezza necessaria per adattarsi alla posizione dello scarico principale.

Modello raffreddato ad aria



[Modello raffreddato ad acqua]

- * Hoshizaki consiglia di collegare il condensatore raffreddato ad acqua ad un sistema dell'acqua a circolazione chiusa per mezzo di una torre, un refrigeratore dell'acqua o simile. L'alimentazione dell'acqua deve percorrere il gruppo valvola a sfera/vaschetta dei cascami.
- * Collegare un condensatore raffreddato ad acqua all'alimentazione principale dell'acqua potabile non condiziona le prestazioni della macchina, ma provoca nella maggior parte dei casi un elevato consumo (spreco) di una risorsa preziosa e pertanto non è consigliato.
- * Per assicurarsi che l'installazione sia corretta, rivolgersi ai servizi di un idraulico specializzato e autorizzato.
- * I collegamenti devono essere realizzati in modo corretto, in conformità alle norme in vigore a livello nazionale e locale.

[a] Collegamenti standard conformi alle norme WRAS nel Regno Unito.

- * Nello scegliere una torre di raffreddamento, considerare i seguenti valori di picco del flusso di calore nel condensatore:

Modello IM-240AW: 5235 W

- * I condotti tra la torre di raffreddamento e la macchina devono avere un diametro minimo di 20 mm, in modo da ridurre la perdita di pressione, anche se i raccordi della macchina hanno un diametro di 13 mm.
- * La perdita di pressione nel sistema dell'acqua all'interno dell'unità equivale a 5-6 m, quando l'acqua di raffreddamento scorre alla portata di 4-5 l/min.
- * Scegliere una pompa di circolazione in base ai suddetti valori del flusso di calore.
- * Non utilizzare una pompa in cascata, altrimenti il regolatore d'acqua varia il flusso, arrestandolo durante il ciclo di sbrinamento.

[Connessioni macchina]

1) Collegare l'estremità a gomito del tubo di entrata (flessibile, accessorio) al raccordo G3/4, situato sul retro della macchina, come indicato, facendo attenzione che la rondella di tenuta in gomma sia posizionata in modo corretto. Serrare a mano quanto basta a evitare perdite.

2) Collegare al rubinetto dell'acqua l'altra estremità del tubo flessibile di entrata, facendo attenzione che la rondella sia posizionata correttamente prima di serrare a mano come descritto in precedenza.

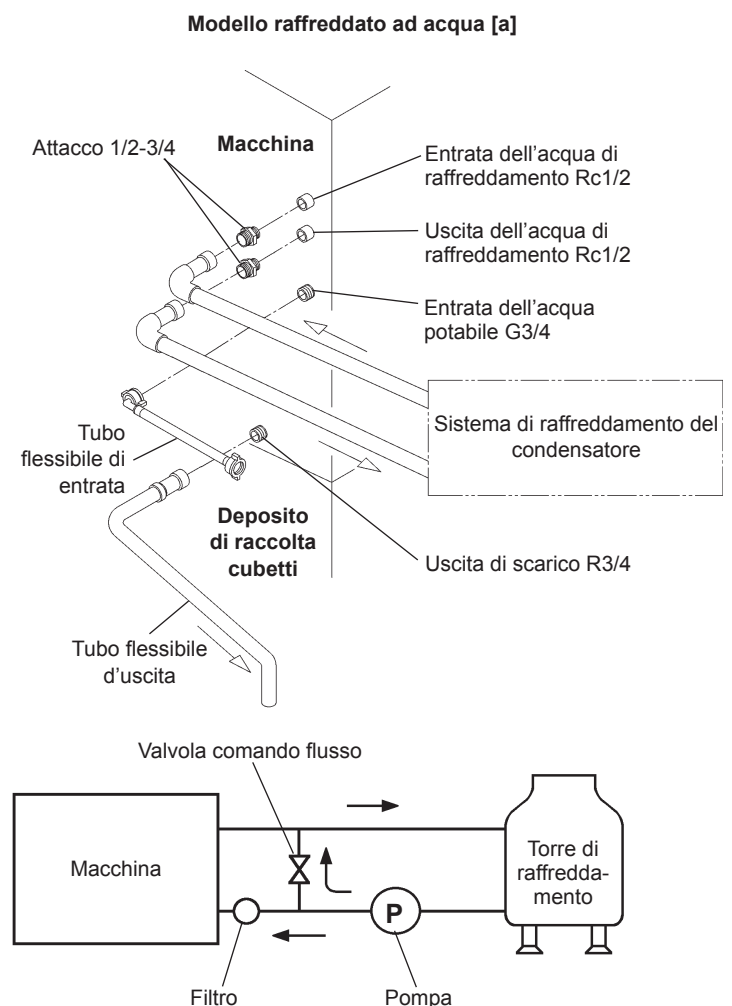
Nota: qualora l'acqua venga filtrata o trattata, assicurarsi che solo la sezione macchina sia collegata all'alimentazione dell'acqua trattata e non il condensatore.

3) Collegare il tubo di uscita (flessibile grigio, accessorio) al raccordo R3/4, situato sul retro della macchina, come indicato, verificando che la rondella in gomma sia posizionata in modo corretto prima di serrare a mano l'accoppiamento. Il tubo può essere tagliato alla lunghezza necessaria per adattarsi alla posizione dello scarico principale.

4) Per mezzo di una chiave adatta, serrare gli attacchi 1/2-3/4 (accessorio) ai condotti Rc1/2, situati sul retro della macchina, come indicato. Per ottenere un accoppiamento a tenuta stagna, utilizzare le apposite guarnizioni e/o il nastro PTFE.

Nota: gli ermetici devono essere approvati e adatti all'uso con acqua potabile.

5) Collegare il circuito di raffreddamento del condensatore all'estremità disponibile degli attacchi 1/2-3/4, come mostrato, per mezzo di un tubo rigido adatto.

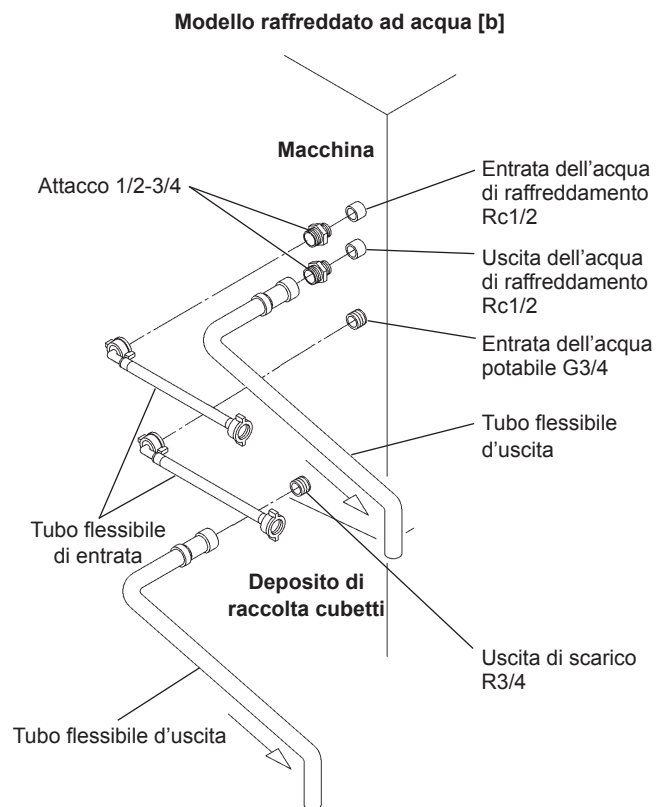


[b] Collegamenti conformi a norme diverse da quelle WRAS mediante tubi ausiliari

- 1) Procedere in base alle istruzioni da 1) a 4) della sezione [a].
- 2) Per i collegamenti del condensatore, utilizzare i tubi ausiliari in dotazione e realizzare gli stessi collegamenti come da 1) a 3) della sezione [a] con le parti disponibili degli attacchi 1/2-3/4, come mostrato.

8. PROCEDURA D'AVVIO

- 1) Aprire il rubinetto dell'acqua.
- 2) Collegare e inserire l'alimentazione elettrica.
- 3) Sul display viene indicato "on".
- 4) Nell'ordine, devono verificarsi le seguenti operazioni:
 - a) La valvola del gas caldo si apre.
 - b) Il compressore si avvia dopo 30 secondi.
 - c) La coppa dell'acqua si apre completamente.
 - d) L'elettrovalvola dell'acqua si apre.
 - e) La coppa dell'acqua inizia a chiudersi (la valvola del gas caldo si chiude).
 - f) La coppa dell'acqua è completamente chiusa; il motorino della pompa si avvia.
 - g) L'elettrovalvola dell'acqua si chiude.



⚠️ IGIENE

Verificare le condizioni e la qualità della produzione di cubetti.

Non utilizzare i cubetti prodotti durante il ciclo di prova. Potrebbero essere contaminati da sostanze estranee presenti nel circuito dell'acqua. Eliminarli o farli scendere nello scarico.

Pulire il deposito di raccolta cubetti prima dell'uso (vedi "III. 1. PULIZIA" nel Manuale di istruzioni).

9. CONTROLLI FINALI

- 1) Verificare la corretta tensione di alimentazione.
- 2) Verificare che la macchina sia collegata a massa in modo corretto.
- 3) Assicurarsi che la macchina sia esente da vibrazioni.
- 4) Assicurarsi che tutti i pannelli siano fissati e bloccati.
- 5) Verificare il corretto funzionamento secondo quanto riportato nel capitolo "8. PROCEDURA D'AVVIO".
- 6) Verificare l'assenza di perdite di acqua nel collegamento di alimentazione dell'acqua e in quello di scarico.
- 7) Istruire l'utente in merito all'utilizzo corretto della macchina. Consegnare il manuale di istruzioni all'utente.



商用组合式方冰制冰机

IM-240ANE
IM-240AWNE

安装说明书



仅适用于合格安装人员

- 请提前仔细阅读本小册子，并遵照里面说明，安全安装好本产品。
- 安装完成后，启动制冰机，检查是否正常。向用户说明如何遵照本说明书使用和维修制冰机。
- 安装完成后，将本小册子移交给用户，和说明书一起妥善保管，供必要时参考。

生产商：**Hoshizaki Europe Ltd.**

Telford 70 Stafford Park 7, Telford,
Shropshire TF3 3BQ England

联系人：星崎冷热机械(上海)有限公司

上海市静安区南京西路580号南证大厦2802室 邮编：200041
电话：(021) 5228-8181 传真：(021) 5228-0113

L2E1CP201 (093014)

重要安全须知	2
1. 构造	2
2. 附件	3
3. 拆包	3
4. 位置	4
5. 安装	4
6. 电气连接	5
7. 供水和排水接管	5
8. 启动步骤	8
9. 最后检查	8

重要安全须知

本说明书提供可能导致死亡、重伤或损坏本产品的注意事项，需要您足够注意。

▲警告	表示如不以避免，则可能导致死亡或重伤的危险情况。
▲小心	表示如不以避免，则可能导致轻伤或中度伤的危险情况。
注意	表示如不以避免，则可能导致本设备损坏的危险情况。
▲卫生	表示卫生和食品安全相关的重要预防措施。
重要	表示使用和维护本设备所需的重要信息。

▲警告

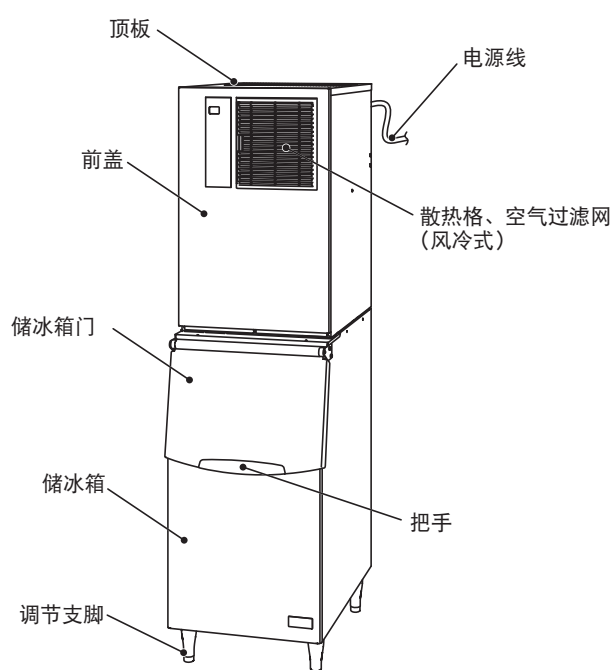
本产品为商用制冰机，仅限于其设计适用的用途，并配备星崎指定的适当储冰箱。

其它任何用途都被视为不当用途，因可能会造成危险。对于因不当、不正确和不合理使用造成的任何损失，生产商不承担法律责任或相关责任。

安装及必要时的重新设置工作，必须由合格人员完成，遵守现行法规，遵照生产商使用说明。

保持机体内外通风口畅通无阻。

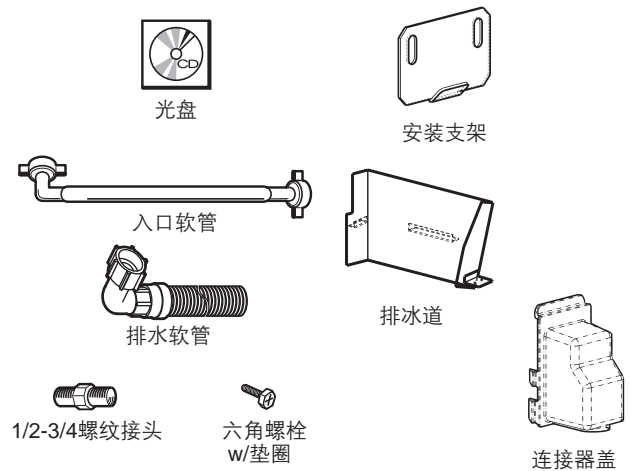
1. 构造



中文

2. 附件

	IM-240ANE	IM-240AWNE
光盘	1	1
入口软管	1	2
出口软管	1	2
1/2-3/4螺纹接头	-	2
安装支架	2	2
带垫圈六角头螺栓M5	2	2
排冰道	1	1
带垫圈六角头螺栓M4	2	2
连接器盖	1	1



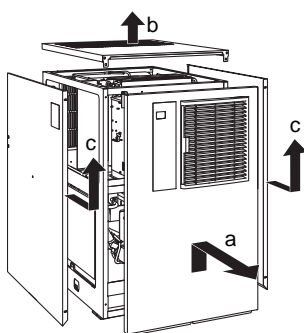
3. 拆包

▲警告
包装零件（塑料袋和发泡聚苯乙烯）存在潜在危险，必须放置在儿童接触不到的地方。
▲小心
不要使用搬运带提升或搬动纸板箱。
移走搬运箱、胶带和包装。如果内部遗留包装材料，制冰机将无法正常工作。
用手搬动本产品时，移开面板，抓住设备框架。
搬运本产品时，请戴好防护手套。
搬运纸板箱或已拆开包装的产品时，结伴工作以防止受伤。

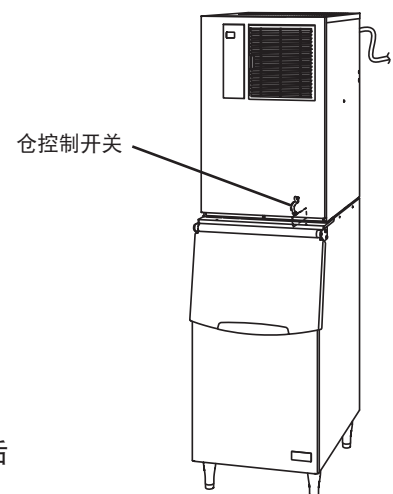
注意：本制冰机需要一个储冰箱。星崎建议使用以下储冰箱：

- B301SA ----- IM-240ANE
- B501SA (顶部组件 8D) ----- IM-240ANE
- B801SA (顶部组件 4DM)----- IM-240ANE x 2

- 1) 拆开包装后，确保制冰机和储冰箱状态良好。如有疑问，请不要使用制冰机，向专业合格人员求助。参见储冰箱随附的说明书。
- 2) 移开制冰机面板，取出附件包，使安装更加快捷。
- 3) 打开附件包装。参照“2. 附件”，检查包装的附件。



- a) 前面板：拧下螺丝。抬起拉下来。
- b) 顶面板：拧下螺丝。提起即可。
- c) 侧面板：拧下螺丝。轻轻朝前滑动，然后提起。
- d) 后面板：不需要移动。



- 4) 拆下储冰控制开关上的胶带。
- 5) 拆下外表面的塑料防护膜。如果制冰机暴露在太阳或热源下，则待制冰机冷却后再拆下防护膜。

4. 位置

警告

本制冰机不适合室外使用。
不得将制冰机设置在火炉、烤箱或其它产生高热量的设备附近。
本产品不适合安装在可能使用喷水器的区域。

小心

安装地点地面应坚固水平，适合制冰机安装。

注意

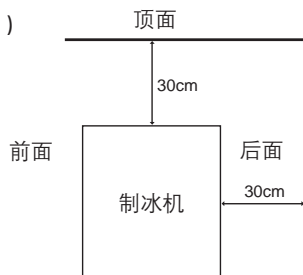
制冰机顶部或散热格前面不要放置任何物品。

重要

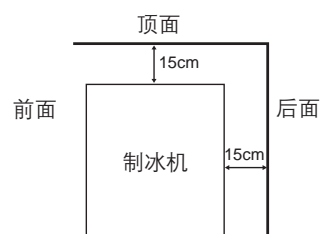
正常运行环境温度必须在1°C到40°C之间。供水管路只可连接冷水。长时间在正常温度范围外运行制冰机，可能会对制冰能力造成不利影响。

必须遵守以下指定的设置间隔以保持空气流通顺畅，以便于维修和 / 或服务。

侧视图（风冷式）



侧视图（水冷式）



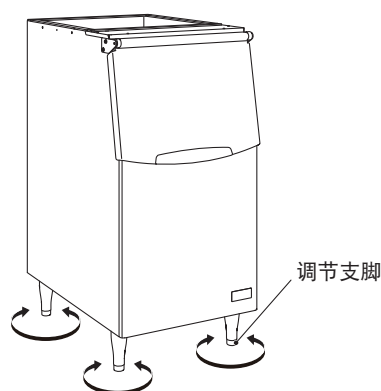
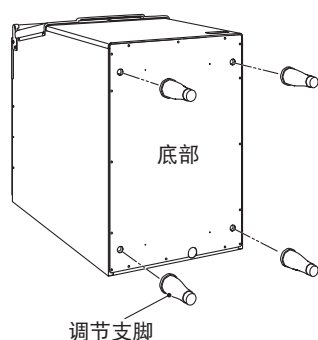
高湿度环境下，机器内部可能会产生冷凝水，流到地上。因此，不要将其安装在易受水影响的地板。

5. 安装

小心

错误安装可能对人员、动物或其它物品造成损害，生产商对因此造成的损害不承担责任。

- 1) 后挡板朝下，将储冰箱小心地放倒，防止损坏。将四个调节支脚（储冰箱配件）拧进箱下面的四个螺孔。
- 2) 请将储冰箱安装在固定的位置，左右前后各方向调平。

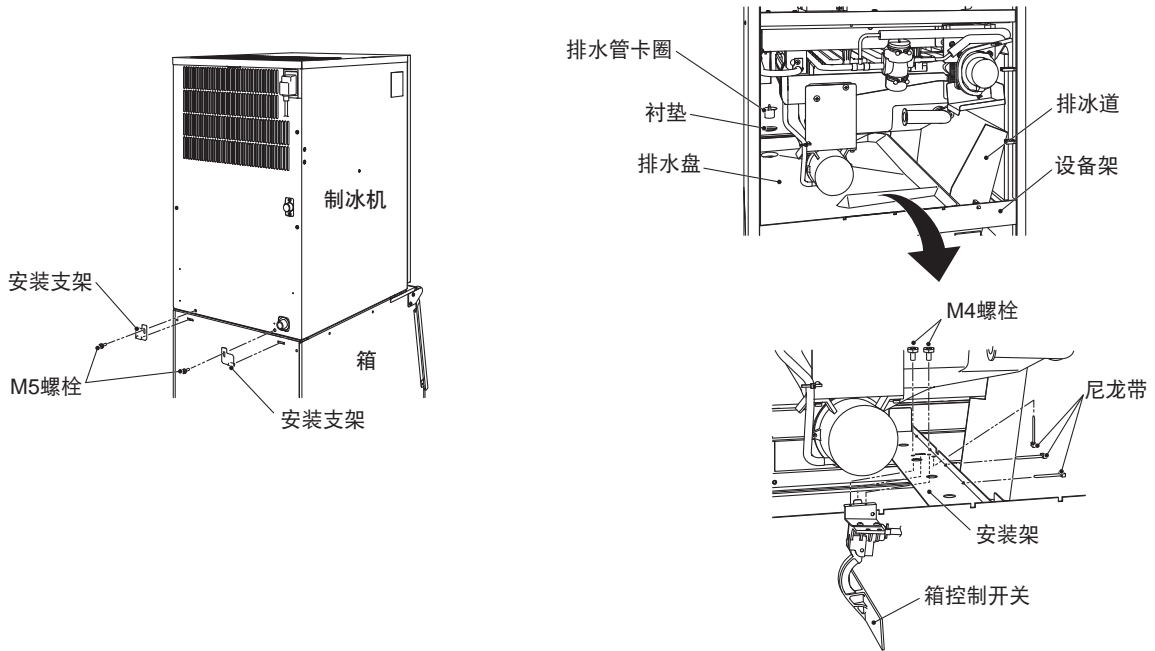


- 3) 取下制冰机面板。安装时不需要取下后面板。参加“3. 拆包”。

- 4) 托住制冰机底部，将其放到储冰箱顶部。

中文

- 5) 用提供的安装支架和螺栓将制冰机固定在储冰箱后部。
- 6) 用可食用胶带封好制冰机和储冰箱之间的隙缝。
- 7) 取下排水管卡圈和排水盘。用提供的两个螺栓将储冰控制开关固定到安装架上。用两条尼龙带固定好储冰控制开关的配线。将排水道放到设备架上，并把排水盘安到正确位置。
- 8) 将制冰机面板安装到原来位置。



6. 电气连接

▲警告

本产品必须接地

本制冰机需要按照国家和地方电气法规的要求进行接地。

为制冰机安装合适的接地线，防止个人严重触电或损坏本产品。

进行维修、修理或清洁前，将主电源断电。

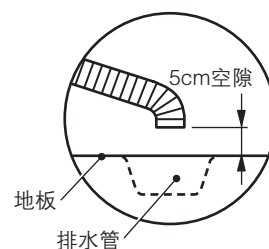
- * 本产品需要一个独立的 220 - 240V 交流电、13A 的电源。必须安装合适的断路器保护电源。
- * 并排安装的制冰机必须各自有单独插座，但是各个制冰机必须并联到载流量足够大的同一单相电源或电路。
- * 主控制箱保险丝的额定功率为 5A，必须由合格的服务工程师进行更换。
- * 通常需要具有电工资格的技术人员。
- * 如果电源线已破损，请更换星崎零件 / 服务中心提供的电源线。
- * 根据国际电工委员会标准的规定，电源与本制冰机相连的接口点的系统最大允许阻抗 (Z_{max}) 必须为 $0.23+j0.23\text{ohm}$ 。必要时咨询电源专家，确保制冰机所连电源电阻为 $0.23+j0.23$ 或更小。

7. 供水和排水接管

▲警告

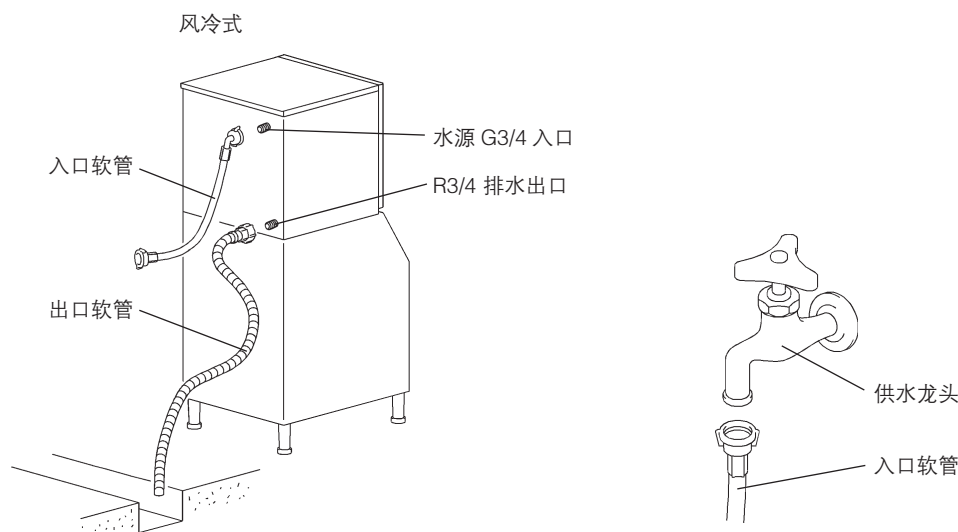
请仅连接至饮用水(冷水)供水管。

- * 连接到主水源的接管必须符合国家现行的《供水或水配件规定》的要求。
- * 制冰用水必须为饮用水。在易因水质问题而产生水垢的场合：
 - 建议安装一台外部过滤器或软水装置。相关事宜，敬请垂询当地的专业水处理机构或星崎维修机构。
 - 建议切换至“全排水模式”。相关事宜，敬请垂询当地的星崎维修机构。
- * 最低供水压力为 0.07 MPa (0.7 bar)，最高供水压力为 0.78 MPa (8 bar)。如果压力超过 0.78 MPa (8 bar)，则采用适当的减压阀。不要关闭供水龙头。
- * 某些区域可能需要持有资格的管工人员。
- * 制冰机排水靠重力流动，因此应保证排水软管具有足够的坡度或落差。
- * 不得将排水管路直接连接至下水道系统。制冰机和储冰箱的排水软管末端与地面排水之间至少需留出5cm的垂直空隙。
- * 应防止排水回流至储冰箱内。
- * 对于水冷机型，可能需要在冷却水路中安装一个防回流阀。
- * 请务必使用本机附带的全新软管套件。请勿使用老旧的软管套件。



【风冷式】

- 1) 如图所示，将挠性进水软管（附件）的弯角端连接到制冰机后部的G3/4管接头上，并确认橡胶密封垫圈已正确就位。手动充分拧紧垫圈，以防止接头漏水。
- 2) 将进水软管的另一端连接到供水龙头，并在如上所述手动拧紧前检查垫圈是否正确就位。最好在易于触及的部位安装一个截止阀。
- 3) 如图所示，将灰色挠性排水软管（附件）手动紧固至制冰机后部的R3/4管接头上，并确认橡胶密封垫圈已正确就位，以防止接头漏水。可根据主排水口的位置将排水软管剪切到合适的长度。



【水冷式】

- * 星崎建议将水冷式冷凝器连接至封闭式循环冷却系统，循环系统采用水塔、冷水机或类似装置。补充水必须通过球阀 / 断流水箱装置。
- * 将水冷式冷凝器与主水源（可饮用）连接，不会影响机器性能；但是很可能会导致资源的高消耗 / 浪费，因此不建议采用这一方式。
- * 为了确保正确安装，必须由持证或规范的管工进行服务。
- * 必须妥善安装接管，使之符合现行的国家或地方规定。

中文

【a】符合英国《水务法规咨询计划》(WRAS)规定的标准接管

* 选择冷却水塔时,参照下面所列的冷凝器内热流量的最高值。

型号 IM-240AW : 5235 W

* 为了减少压力损失,虽然制冰机管件的直径为 13mm,冷却水塔和制冰机之间管材的直径必须至少为 20mm。

* 冷却水以 4 至 5 升 / 分钟的速度流动时,设备内部水循环的压力损失为 5 到 6m。

* 根据上述热流量值,选择循环泵。

* 不要采用级联泵,否则水调节器将改变流量,并在除霜周期内阻断水流。

【制冰机接管】

1) 如图所示,将挠性进水管(附件)的弯角端连接到制冰机后部的G3/4管接头上,并确认橡胶密封垫圈已正确就位。手动充分拧紧垫圈,以防止接头漏水。

2) 将进水管的另一端连接到供水龙头,并在如上所述手动拧紧前检查垫圈是否正确就位。

注意:如果使用了过滤或水处理装置,应确保仅将处理水供水源连接至制冰机部分(而非冷凝器)。

3) 如图所示,将灰色挠性排水软管(附件)连接到制冰机后部的R3/4管接头上,并在最终手动拧紧接头前确认橡胶垫圈已正确就位。可根据主排水口的位置将排水软管剪切到合适的长度。

4) 如图所示,采用合适的螺丝扳手或扳钳,将1/2-3/4螺纹接头(配件)拧紧到制冰机后面的Rc1/2管件上。采用聚四氟乙烯带和/或适当的密封化合物,防止接头渗漏。

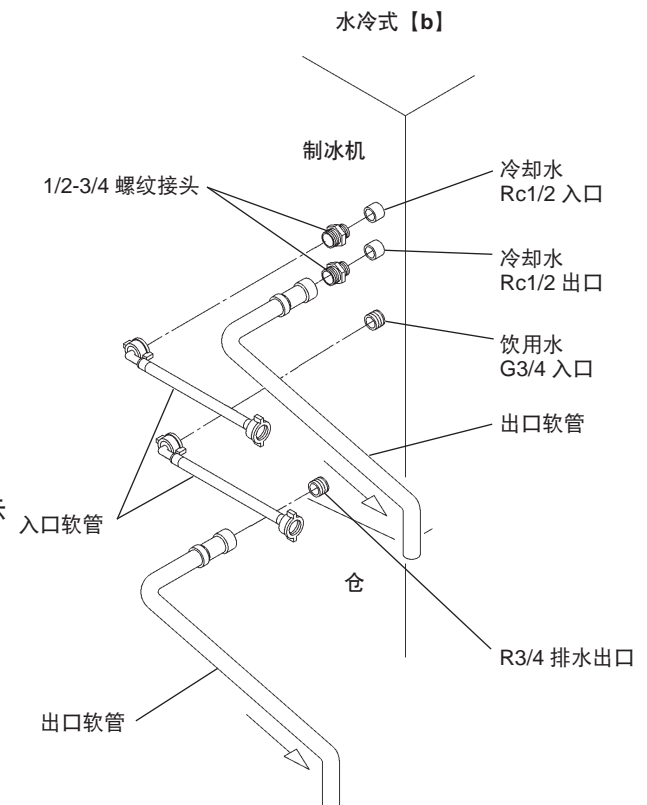
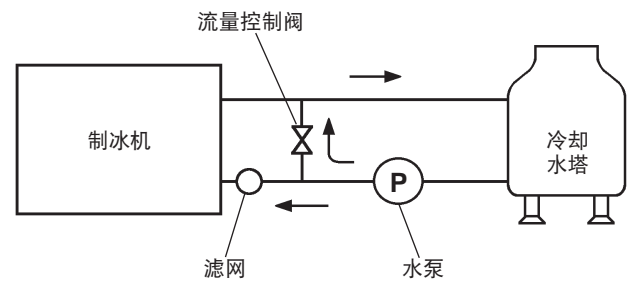
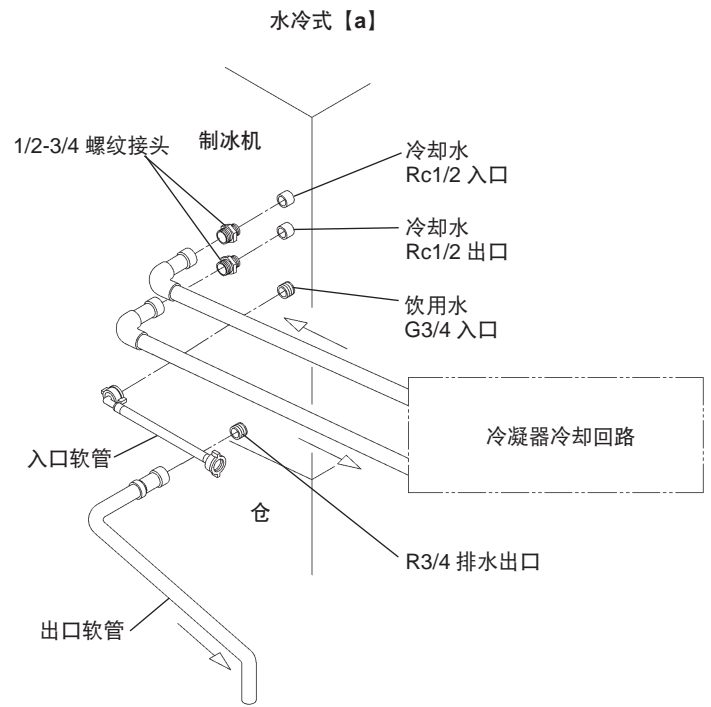
注意:接头化合物必须经过审核,适合饮用水使用。

5) 如图所示,采用适当的刚性管材,将冷凝器的冷却循环连至1/2-3/4螺纹接头的自由端。

【b】采用附件软管、符合《水务法规咨询计划》(WRAS)以外规定的接管

1) 遵循上面【a】所述1)到4)步。

2) 如图所示,采用供应的附件软管,按上面【a】1)到3)所示将冷凝器接管连接到1/2-3/4螺纹接头的自由端。



8. 启动步骤

- 1) 打开水龙头。
- 2) 连接电源及动力。
- 3) 显示器显示“开启”。
- 4) 下列步骤应该依次执行：
 - a) 热气阀打开。
 - b) 压缩机在 30 秒后启动。
 - c) 集水盘完全打开。
 - d) 水电磁阀打开。
 - e) 水皿开始关闭（热气阀已关闭）。
 - f) 集水盘完全关闭——泵马达启动。
 - g) 水电磁阀关闭。

▲卫生

检查制冰条件和质量。

不要使用试运时生产的冰。这些冰可能会被水回路内的杂质污染。倒掉或冲走排水。

使用前清洗储冰箱（见使用说明书“III 1. 清洗”）。

9. 最后检查

- 1) 检查电压是否正确。
- 2) 检查制冰机接地是否适当。
- 3) 检查确定制冰机无震动。
- 4) 检查确定所有面板都已安装固定。
- 5) 根据“8. 启动步骤”，检查运行是否正常。
- 6) 检查水源和排水接管是否漏水。
- 7) 指导用户正确使用机器。将说明书交给用户。