



solo per professionisti

Sirman Spa
Viale dell'industria 9/11
35010 Pieve di Curtarolo (PD) Italy
Tel. +39 049 9698666
Fax. +39 049 9698688
E-mail. info@sirman.com

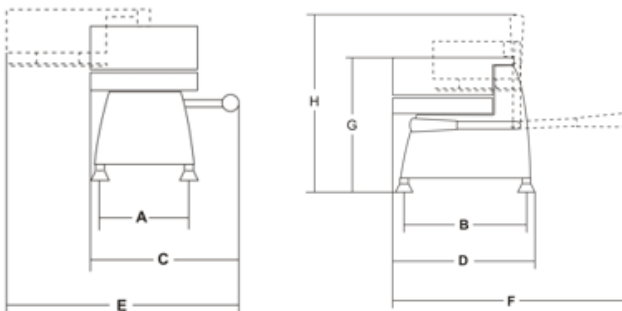
HAMBURGATRICI SA 130



- Simple and compact patty press with rounded design.
- Made from anodized aluminium alloy.
- Built-in sheets holder.
- Rubber feet.

DETAILS

TECHNICAL DATA



Model	SA 130
Diameter mould	mm 130
A	mm 140
B	mm 250
C	mm 260
D	mm 310
E	mm 360
F	mm 460
G	mm 275
H	mm 360
Net weight	kg 4,9
Shipping	mm 280x300x300
Gross weight	kg 5,4