

MENUMASTER[®] Commercial



MOC5241 shown with door open

Heavy Volume

Menumaster Commercial Microwave Model MOC5241

Power Output

- 2400 watts of power for high power density
- Top and bottom magnetrons.

Increased Productivity

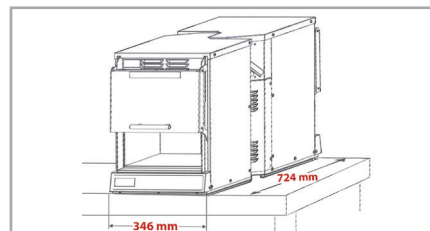
- Short cook times for single serving applications, up to 42% faster.
- Increased throughput by door automatically opening when cooking cycle is complete and remaining open until ready to cook.
- Closing door and pushing control pad is one operator motion.
- Door design does not interfere with kitchen flow.
- Small, "jigsaw" shaped footprint allows for back-to-back placement on a 724 mm (28 1/2") shelf using only 346 mm (13 5/8") of space. A shelf extender accessory attaches to an existing shelf to extend it out to 724 mm (28 1/2").

Easy to Use and Maintain

- Braille touch pads are ADA compliant.
- Control panel located on bottom for convenient access and angled for easy viewing.
- Plug and play operation.
- Door extends out for easy cleaning.
- ETL Listed for safety.



Intertek



Two units fit back-to-back on a 724 mm (28 1/2") shelf in a 346 mm (13 5/8") space

Heavy Volume

This category of microwave is ideal for...

Applications:

Quick service restaurants

- single portions, bun warming

Through put potential:

- melts cheese on burgers in 8 seconds
- heats spinach dip from frozen in 1 minute 30 seconds
- heats macaroni and cheese from frozen in 1 minute 10 seconds

Location of oven(s):

- kitchen shelf, single or back to back
- kitchen counter, single or back to back

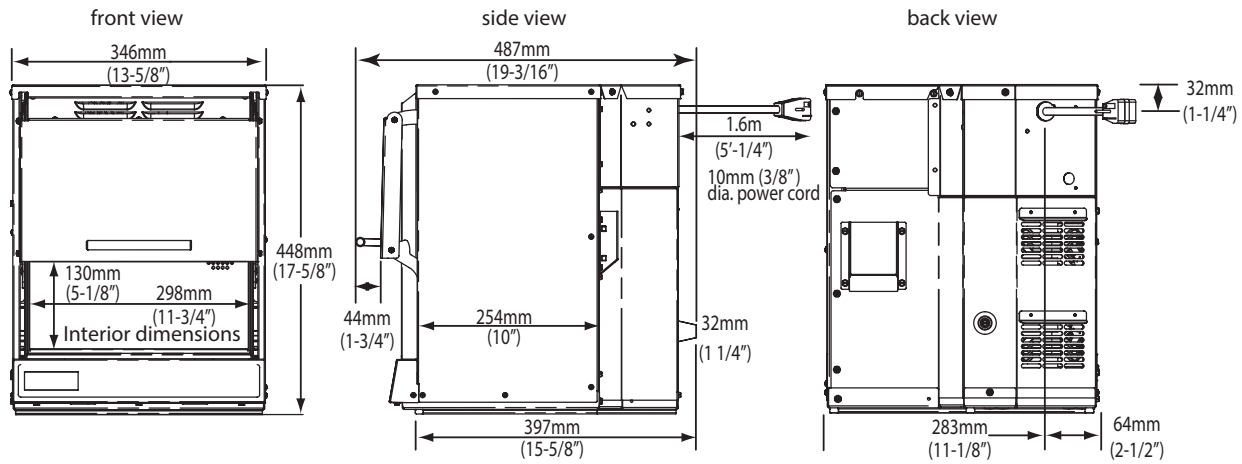
Defrost:

- defrosts most frozen food products

All ACP, Inc. commercial ovens are supported by our Culinary Center. Do not hesitate to contact us for any questions regarding food preparation, menu development and cooking times: testkitchen@acpsolutions.com




MenuMaster Commercial Microwave Model MOC5241 | Heavy Volume



Installation Clearances - Top: 51 (2"), Sides: 25 (1"), Back: None

Drawings available from KCL CADlog - techs@kclcad.com

Specification #:

Specifications	
Model	MOC5241 UPC Code 705105607306
Configuration	Countertop or shelf
Control System	Touch, angled for easy viewing
Programmable Control Pads	10
Braille	Yes
Total Programmable Settings	100
Max. Cooking Time	10:00
Power Levels	11
Defrost	Yes
Time Entry Option	Yes
Microwave Distribution	Rotating antennas, top and bottom
Magnetrons	2
Display	LED
Stackable	Yes
Stage Cooking	Yes, 4
Door Opening	Automatic opening
Signal	Door automatically opens at end of cycle
Exterior Dimensions	H 448 (17 5/8") W 346 (13 5/8") D** 487 (19 3/16")
Cavity Dimensions	H 130 (5 1/8") W 298 (11 3/4") D 216 (8 1/2")
Door Depth	n/a
Usable Cavity Space	8.4 liter (.3 cubic ft.)
Exterior Finish	Stainless steel
Interior Finish	Stainless steel
Power Consumption	3100 W, 14.9 A
Power Output*	2400 W* Microwave
Power Source	230 V, 50 Hz, 16 A single phase
Plug Configuration / Cord	CEE 7/7 "Schuko" 1.5m (5' 1/4") 
Frequency	2450 MHz
Product Weight	32 kg (70 lbs.)
Ship weight (approx.)	33 kg (73 lbs.)
Shipping Carton Size	H 524 (20 5/8") W 432 (17") D 559 (22")

Specifications

Microwave oven door shall automatically open when cooking cycle is complete. Door shall remain open until ready to cook next item. To minimize space usage, door shall open upwards. Control pad shall be angled for easy viewing and located so door can be closed and control pad pushed in one ergonomic motion. Control pad shall be programmable with the ability to program up to 100 menu items, single or double digit entry. There shall be 11 power levels including defrost mode, and 4 cooking stages. Microwave shall have a 10-minute digital countdown timer. Microwave output shall be 2400 watts. Top and bottom magnetrons with rotating antennas shall provide uniform heat distribution throughout the cavity. Oven shall be stackable and have a compact, "jigsaw" shaped footprint for back-to back placement on a 724 mm (28 1/2") shelf or countertop using only 346mm (13 5/8"). Oven cavity shall be stainless steel construction with stainless oven door. Bottom of cavity shall be ceramic plate with a high temperature, cleanable seal.

Optional Accessories

Shelf extender accessory (OS10) attaches to an existing shelf to extend it out to 724mm (28 1/2").

Safety and Sanitation

This ACP, Inc. product meets and exceeds safety and sanitation standards set for commercial microwave ovens by ETL EU and CE



Warranty

Warranty Certificate for this product can be found by locating it on the ACP, Inc. website at: www.acpsolutions.com/warranty



AIA File #:

Measurements are in millimeters

* IEC 60705 Tested

** Includes handle

Part No. 20154214
Updated 10/26/2017
Original Instructions



Patents Pending
© 2017 ACP, Inc.
Cedar Rapids, Iowa 52404