

- Ⓜ ***Instruction manual***
- Ⓜ ***Bedienungsanleitung***
- Ⓜ ***Manuel d'utilisation***
- Ⓜ ***Manual de instruções***
- Ⓜ ***Manual de instrucciones***
- Ⓜ ***Istruzioni d'uso***



S/S Counters Series

P2M026STD -V1.0

Dear Customer,

Many thanks.

Congratulations on your purchase of this product. Like all products from RWA , this product has also been developed on the basis of the latest technical knowledge and produced using reliable and modern

electrical/electronic components.

Please take a few minutes before starting operation of the machine and read the following operating instructions.

Table Of Contents

Safety tips.....	3
Installation.....	4
Function	5
Cleaning, Care & Maintenance	7
How To Slide Out The Engine Plate	8
Optional Accessory (Not Included)	8
Change From Door To Drawer	9
Technical Data	11
Troubleshooting	12
Disposal	12
Warranty	13

Safety tips



IMPORTANT: For your safety read the manual carefully before installing or using this product. Save this manual for future reference.

Position on a flat, stable surface.

A service agent/qualified technician should carry out installation and any repairs if required. Do not remove any components or service panels on this product. Consult Local and National Standards to comply with the following:

1. Health and Safety at Work Legislation
2. Fire Precautions
3. IEE Wiring Regulations
4. Building Regulations
5. The appliance is intended for commercial use.
6. DO NOT use the appliance outside.
7. DO NOT attempt to service the item yourself.
8. DO NOT use damaged appliances. If you are in any doubt, consult service agent.
9. DO NOT use electrical appliances inside the appliance (e.g.heaters, ice-cream makers etc.), unless they are of the type recommended by the manufacturer.
10. Keep ventilation openings, in the appliance enclosure or in the built-in structure, clear of obstruction.
11. DO NOT use mechanical devices or other means to accelerate the defrosting process, other than those recommended by the manufacturer.
12. DO NOT damage the refrigerant circuit.
13. DO NOT stand or support yourself on the base, drawers or doors.
14. DO NOT allow oil or fat to come into contact with the plastic components or door seal. Clean immediately if contact occurs.
15. This unit can be used by children aged above 8 years and persons with reduced physical, sensory or mental capabilities or lacking of experience and knowledge who have been given supervision or using instruction of the device and understand the resulting risks.
16. Do not let children play with the appliance.
17. Cleaning and user maintenance must not be carried out by children without supervision.
18. DO NOT place combustible, explosive or volatile articles, corrosive acids or alkalis or liquids in the appliance.
19. DO NOT use this appliance to store medical supplies.
20. DO NOT use jet/pressure washers to clean the appliance.
21. DO NOT allow children to play with the packaging, and destroy plastic bags safely.
22. Bottles that contain a high percentage of alcohol must be sealed and placed vertically in the refrigerator.
23. Always carry, store and handle the appliance in a vertical orientation and move by holding the base of the appliance.
24. Always switch off and disconnect the power supply to the unit before cleaning.
25. If the supply cord is damaged, it must be replaced by the manufacturer, its service agent or

similarly qualified persons in order to avoid a hazard.

26. For indoor use only. Not suitable for installation in an area where a water jet could be used. Must not be cleaned by a water jet.
27. To guarantee safe operation, ensure that the appliance is set up and connected as described in the instruction manual.
28. Any repairs and work on the appliance should only be carried out by the customer service department.
29. The key to the electrical cabinet should be kept out of the reach of children and users.
30. Do not store explosive substances such as aerosol cans with a flammable propellant in this appliance.
31. This manual can also be found in our website: www.rightwayasia.com

Installation

- Remove the appliance from the packaging. Make sure that all protective plastic film and coatings are thoroughly removed from all surfaces. To prevent injury or damage to the unit, we recommend that the appliance should be unpacked and set up by two people.
- Maintain a distance of 20cm (7 inches) between the appliance and walls or other objects for ventilation. Increase this distance if the obstacle is a heat source.
- The appliance should be placed on a solid level floor to reduce noise and vibration. Level the appliance by adjusting the screw feet.
- The temperature in the place where the COUNTER is located must be between 10°C and 32°C (Climatic Class 4). Avoid locating it indirect sunlight or near heat source such as an oven or a radiator.
- Please make sure the appliance is properly ventilated.
- Check that the power supply and voltage used comply with the details on the rating plate. The plug must be accessible after installation.
- Correctly connect and disconnect the plug. When inserting ensure the plug is fully engaged. When unplugging do so by holding the body of the plug. Never pull the supply cord directly.
- If the COUNTER is to be shut down for long period, switch it off and disconnect the plug from socket outlet. Clean the appliance and leave the door lid open to prevent odor.
- **Important! For your personal safety, this appliance must be properly grounded (earthed).** This appliance is equipped with a cord having a grounding wire with a grounding plug. The plug must be inserted into an outlet that is properly grounded and installed. Consult a qualified electrician or service center if you do not completely understand the grounding instructions. If doubt exists as to whether the appliance is properly grounded, have a qualified electrician check the circuit to make sure the outlet is properly grounded.

Installation

- If the cable does not reach the nearest socket, either rearrange your store layout or ask a qualified electrician to fix a new socket.
- If power is cut off, wait for at least 3 minutes before restarting the appliance to avoid damaging the compressor.

- Do not place any appliance such as microwave oven, toaster, etc, which give off heat on the appliance.

Fit the shelves/drawers

Note: If the unit has not been stored or moved in an upright position, let it stand upright for approximately 12 hours before operation.

Note: Before using the appliance for the first time, clean the shelves and interior with soapy water.

Note: This is vital for ensuring correct drainage of condensation.

- Place one pair of guides on either side of the cabinet at the desired height.
- Slide the shelf/drawer into place.
- Repeat for the remaining shelves.

Function

Storing food

To get the best results from your appliance, follow these instructions:

- Only store foodstuffs in the appliance when it has reached the correct operating temperature.
- Ensure GN container bays are full at all times, even if the GN containers are unused or empty. Empty bays will greatly reduce efficiency of the appliance.
- Always close the door lid or drawer when not in use.
- Do not place uncovered hot food or liquid inside the appliance.
- Wrap or cover food where possible.
- Do not obstruct the fans inside the appliance.
- Avoid opening the doors/drawers for prolonged periods of time.
- The maximum load for a shelf/drawer is 30 kg.
- The food must be put into container before placed into cabinet or on the shelf. Food must not be placed into food cabinet directly.
- When wet food/vegetable is put in the Saladette, it's normal that ice (snow) appears on the surface.

Turn on

- Close the door/lid/drawer of the appliance.
- Ensure the power switch is set to [O] and turn on at the socket.
- Switch on the Power [I]. The current temperature within the appliance is displayed.
- The on the control panel will flash for 3-min to indicate a delay between the motor compressor being stopped and then restarted.

Open/close the lid or drawer

WARNING: The sliding lid does not have a locking mechanism. Always make sure that the lid is in the 'half-open' position before opening.

WARNING: Do not pull the drawer out of its full open position to avoid any hurt.

The lid of the GSA is multi-positional:

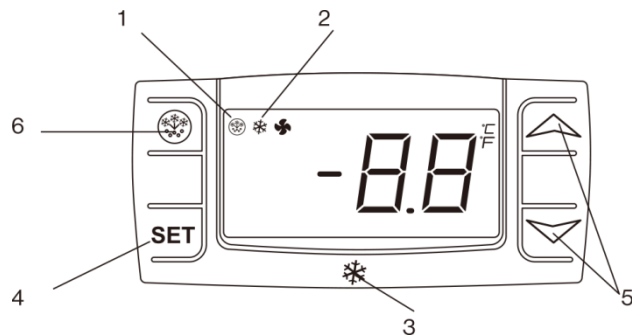
- With the lid closed, slide the panel back into the half open position. This allows partial access to the GN container trays.
- Lift the lid up and back so the hinge settles into the support slot.

- Lift the lid up and completely back so the GN container trays are completely exposed.

Temperature setting and control(DIXELL)

The front panel of the thermostat

1. Defrosting light
2. Compressor operation light
3. Digital thermostat
4. Programming key (Service agent only)
5. Temperature modification keys
6. Manual defrost



How to see the set point

- Push and immediately release the **SET** key, the set point will be showed;
- Push and immediately release the **SET** key again or wait about 15s to return to • normal visualisation.

How to change the set point

- Push the **SET** key for more than 2 seconds to change the set point value;
- The value of the set point will be displayed and the “ °C ” starts blinking;
- To change the set value push the „ ^ ” (up) or „ V ” (down) arrows within 15s.
- To memorise the new set point value push the **SET** key again or wait 15s.

Automatic defrost

The appliance will automatically run defrost cycles.

Note: The cycle starts from the time the appliance is initially powered up.

To manually defrost the appliance:

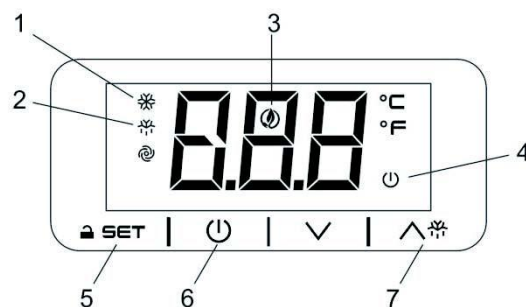
- Press and hold the **DEFROST**  button for 5 seconds
- The defrost cycle will start immediately and the Defrost LED illuminates.

Note: Starting a manual defrost also resets the automatic defrost timer. The next automatic defrost will start according to the set parameter after the manual defrost has finish ed.

Temperature setting and control (EVCO)

The front panel of the thermostat

1. Compressor operation light
2. Defrosting light
3. Energy saving light
4. Stand-by light
5. Programming key (service agent only)
6. Machine On/Stand -by (keep pushed)
7. Manual defrost (keep pushed)



How to unlock the keyboard («Loc» message)

- Push any button for more than 2s, «UnL» message will appear and the keyboard will be unlocked.

Note: For safety reasons the keyboard locks automatically after 30s of keys inactivity.

To execute any operation, please unlock the keyboard first.

How to see and modify the set point

- Push and immediately release the **SET** key, the set point will be showed and starts blinking;
- To change the set value push \wedge or \vee arrows within 20s.
- To memorize the new set point value push the **SET** key again or wait 20s .

Automatic defrost

- The appliance will automatically run defrost cycles.



Note: the cycle starts from the time the appliance is initially powered up.

To manually defrost the appliance:

- Press and hold the DEFROST \wedge  button for 3s;
- The defrost cycle will start immediately and the Defrost  LED illuminates.

Note: Starting a manual defrost also resets the automatic defrost timer. The next automatic defrost will start according to the set parameter after the manual defrost has finished.

How to turn the machine in ON / STAND -BY status

- Press and hold the  key for 4s, the machine will turn from ON to STAND -BY status and vice-versa.
- During the button hold the  LED will blink to show status changing.

Cleaning, Care & Maintenance

Routine maintenance

Switch off and disconnect from the power supply before cleaning.

- Clean the enclosure and interior of the appliance as often as possible.
- Clean the unit with moist cloth. Never allow the switch, control panel, cable or plug to get wet.
- Do not use abrasive cleaning agents. These can leave harmful residues. Use only mild soapy water.
- Clean the door seal with water only.
- Ensure that no cleaning water penetrates into the electrical components.
- Must not be cleaned by a water jet.
- Always wipe dry after cleaning with soft cloth.
- Do not allow water used in cleaning to run through the drain hole into the evaporation pan.
- Take care when cleaning the rear of the appliance.
- An agent or qualified technician must carry out repairs if required.
- If the appliance is to be left inactive for long periods, unplug the appliance after having turned the switch to OFF position, empty the refrigerating compartment and clean thoroughly.

Special maintenance

The instructions given in the following paragraph are for SKILLED PERSON.

Periodic Operations

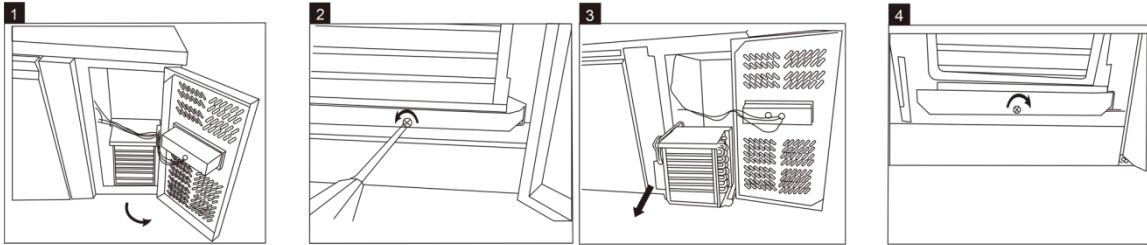
- Periodically clean the condenser using suitable tools (vacuum cleaner or soft brushes).
- Check that the electrical connections are not loose.
- Check that the thermostat and the sensor are in proper working order.
- Periodically cleaning the condenser can extend the life of the appliance.
- Recommend that an agent or qualified technician clean the condenser.

- The key to the electrical cabinet should be kept out of the reach of children and users.
- Only use the key to open the lock.

Marble Care

- Do not use abrasive materials or detergents to clean the worktop. Wash with warm, soapy water.
- Do not put hot or frozen material on the marble top to avoid break.
- Wipe up any spillages as quickly as possible, particularly liquids such as lemon juice or vinegar.
- Recommend the use of a chopping board to reduce the risk of damage to your worktop.
- Dry thoroughly with a soft cloth after cleaning.

How To Slide Out The Engine Plate



Optional Accessory (Not Included)

Component: Four pieces of Castor

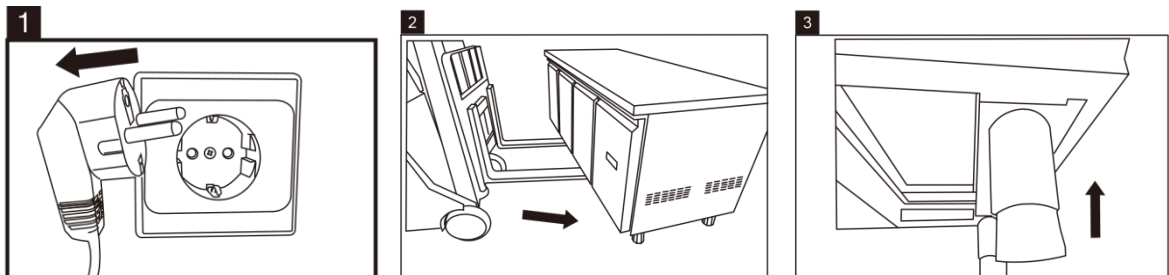
Positioning: Two castors with break to be fixed at the bottom front and two castors with no break to be fixed at the bottom rear.

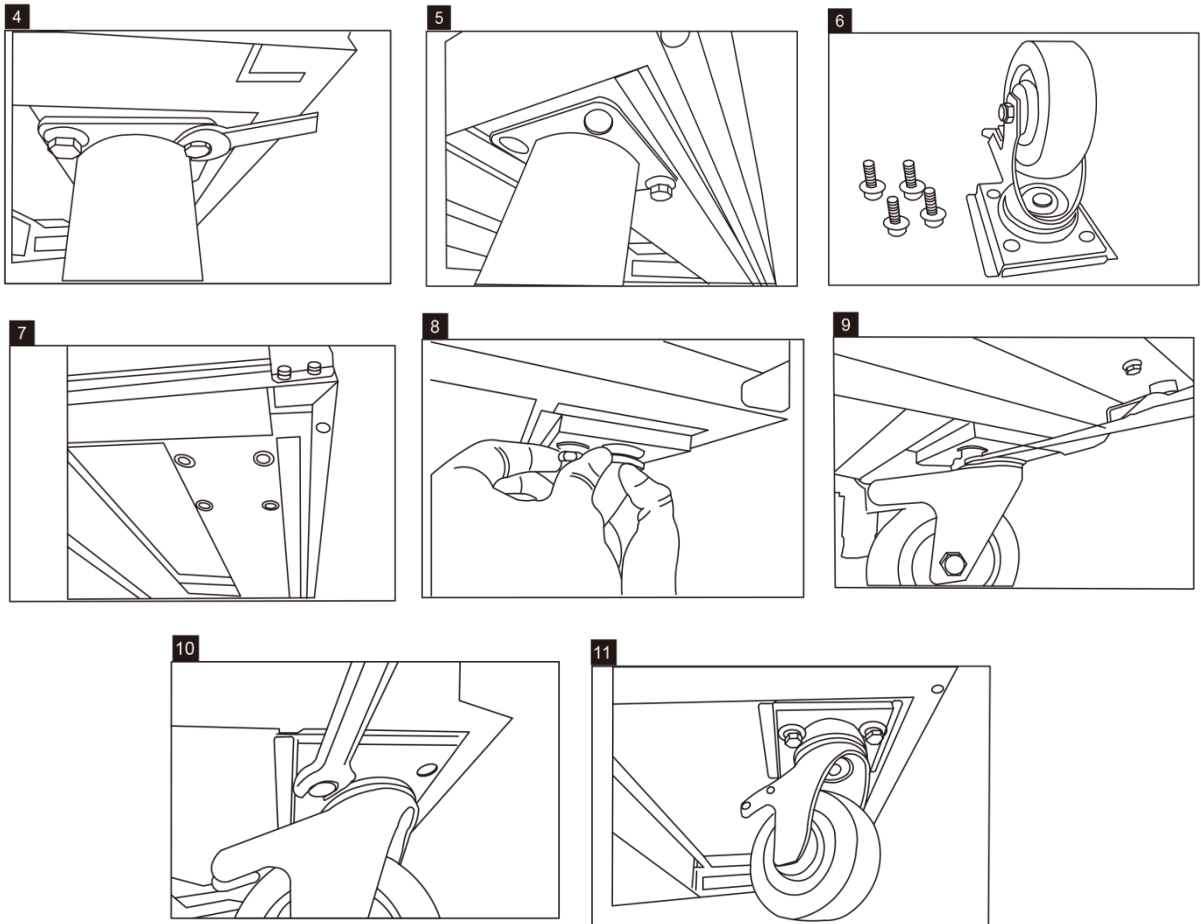
Procedure: Follow the 8 steps below to change the Saladette's footings to casters.

Caution:

- Unplug the appliance from main socket before change.
- Securing the fork lift before change.
- Securing all drawers, shelves, lids and doors before change.
- Empty the cabinet before change.
- Lock the break on the caster after change.

Optional Accessory (Not Included)

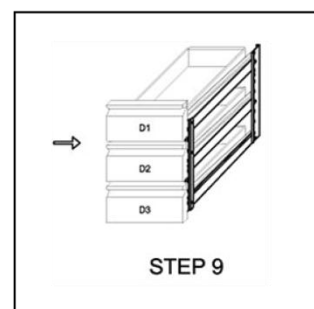
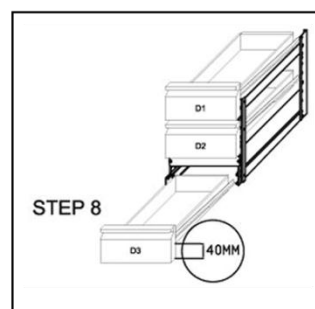
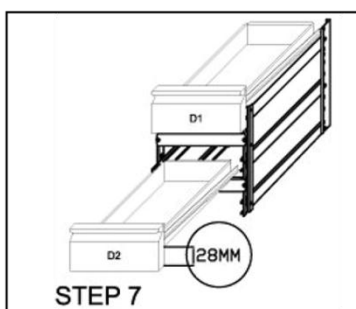
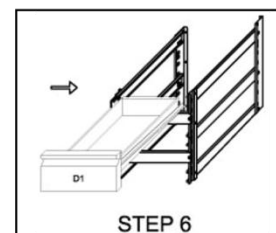
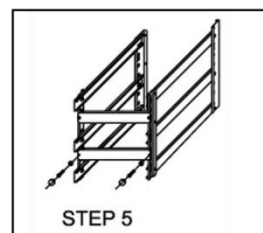
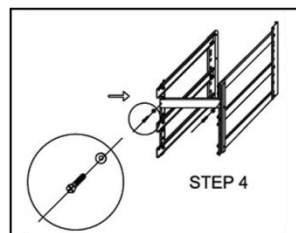
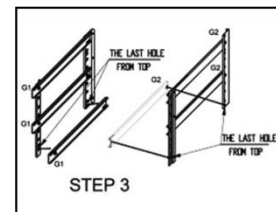
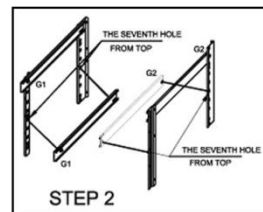
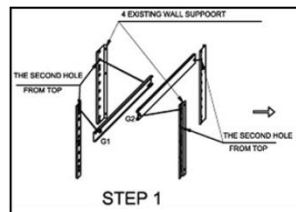
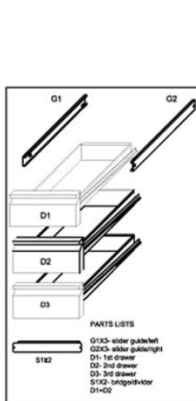
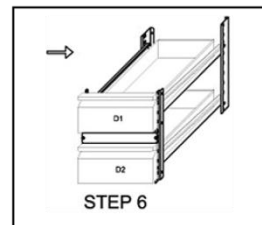
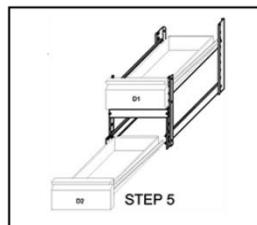
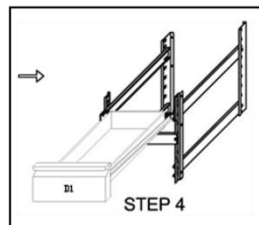
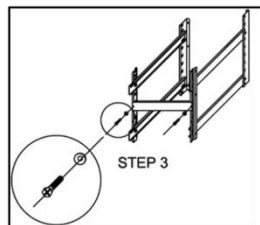
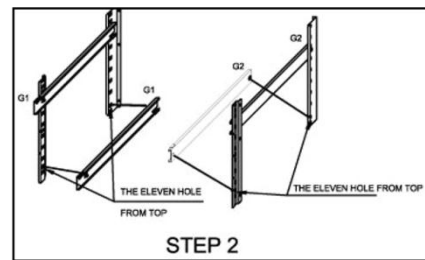
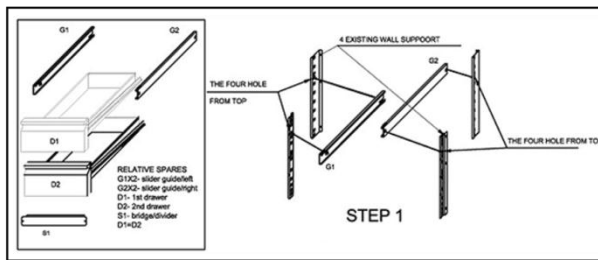




Note: If you intend to purchase optional accessories , please ask our sales staff for advice.
Set2 Drawer Assembly Guide

Change From Door To Drawer

A statutory warranty applies for this product.
Damages caused by wrong treatment or operation, by false placement or storage, improper connection or installation,
Set3 Drawer Assembly Guide



Technical Data

Please check the last manual pages

Environmental Protection



Discarded electric appliances are recyclable and should not be discarded in the domestic waste! Please actively support us in conserving resources and protecting the environment by returning this appliance to the collection centres (if available).

If your appliance develops a fault, please check the following table

MODEL	Counter 2 Doors Refrigerator	Counter 3 Doors Refrigerator	Counter 4 Doors Refrigerator
Climate Class	4	4	4
Refrigerant Gas	R134a	R134a	R134a
Refrigerant Charge	For technical details and electrical diagram see label on the back of the product.		
Temperature Range (°C)			
Input Power			
Rated Frequency			
Rated Voltage			
Internal Volume			
Net Weight			
Foaming Agent	CP/IP	CP/IP	CP/IP

MODEL	Counter 2 Doors Freezer	Counter 3 Doors Freezer	Counter 4 Doors Freezer
Climate Class	4	4	4
Refrigerant Gas	R404a	R404a	R404a
Refrigerant Charge	For technical details and electrical diagram see label on the back of the product.		
Temperature Range (°C)			
Input Power			
Rated Frequency			
Rated Voltage			
Internal Volume			
Net Weight			
Foaming Agent	CP/IP	CP/IP	CP/IP

Troubleshooting

Fault	Probable Cause	Action
The appliance is not working	The unit is not switched on	Check the unit is plugged in correctly and switched on
	Plug and lead are damaged	Call your agent or qualified technician
	Fuse in the plug has blown	Replace the fuse (UK Plug)
	Power supply	Check power supply
The appliance turns on, but the temperature is too high/ low	Too much ice on the evaporator	Defrost the appliance
	Condenser blocked with dust	Call your agent or qualified technician
	Doors are not shut properly	Check doors are shut and seals are not damaged
	Appliance is located near a heat source or air flow to the condenser is being interrupted	Move the refrigerator to a more suitable location
	Ambient temperature is too high	Increase ventilation or move appliance to a cooler position
	Unsuitable foodstuffs are being stored in the appliance	Remove any excessive hot foodstuffs or blockages to the fan
	Appliance is overloaded	Reduce the amount of food stored in the appliance
The appliance is unusually loud	Loose nut/ screw	Check and tighten all nuts and screws
	The appliance has not been installed in a level or stable position	Check installation position and change if necessary
The appliance is leaking water	The appliance is not properly leveled	Adjust the screw feet to level the appliance (if applicable)
	The discharge outlet is blocked	Clear the discharge outlet
	Movement of water to the drain is obstructed	Clear the floor of the appliance (if applicable)
	The water container is damaged	Call your agent or qualified Technician
	The drip tray is overflowing	Empty the drip tray (if applicable)

Disposal

If the counter is no longer of use and you wish to dispose of it, remove doors to prevent any small child from be trapped in the cabinet. Then do in an environmentally correct way.

Contact a qualified service technician:

1. To recover all Freon/refrigerant

2. To remove the compressor or remove the oil from the compressor

3. To remove the flammable insulation blowing gases

Then the distributor/ retailer can contact their local metal recycling center to pick up the remaining cabinet, shelves, etc.

Disposal

There may be special requirements or conditions. You can obtain information on the disposal of refrigeration appliances from:

- Your supplier
- Government authorities (The local council, Ministry of the Environment, etc.)

By law, disposal of hazardous wastes may be subject to fines and imprisonment under the provisions of the environmental regulations.

1. The refrigerant in this unit with a fluorinated greenhouse gas covered by the Kyoto Protocol, which is dangerous for the environment and for global warming if it enters the atmosphere.
2. Chemical name of refrigerant R-134a / R-404a is a fluorinated greenhouse gas covered by the Kyoto Protocol, global warming potential (GWP) is 1430.

Correct Disposal of this product



This marking indicates that this product should not be disposed of with other household wastes throughout the EU. To prevent possible harm to the environment or human health from uncontrolled waste disposal, recycle it responsibly to promote the sustainable re-use of material resources. To return your used device, please use collection systems or contact the retailer where the product was purchased. They can take this product for environmental safe recycling.

Warranty

A statutory warranty applies for this product.

Damages caused by wrong treatment or operation, by false placement or storage, improper connection or installation as well as force or other external influence are not covered by this warranty.

We recommend careful reading of the operating instructions as it contains important information.

Note:

1. In case this product does not function correctly, please firstly check if there are other reasons, e.g. for electrical appliances interruption of the power supply, or generally incorrect handling are the cause.
2. Please note that, where possible, the following documents or rather information should be provided together with your faulty product:
 - Purchase receipt
 - Model description/Type/Brand
 - Describe the fault and problem as detailed as possible

In the case of a claim for guarantee or defects, please contact the seller.

Originalbetriebsanleitung

Sehr geehrte Kundin, Sehr geehrter Kunde,

Herzlichen Glückwunsch zum Kauf dieses Produktes. Wie alle Erzeugnisse von RWA, wurde auch dieses Produkt aufgrund neuester technischer Erkenntnisse entwickelt und unter Verwendung zuverlässiger und moderner elektrischer/elektronischer Bauteile hergestellt.

Bitte nehmen Sie sich einige Minuten Zeit, bevor Sie das Gerät in Betrieb nehmen, und lesen Sie die nachfolgende Gebrauchsanweisung durch.

Besten Dank!

Inhalt

Sicherheitshinweise	16
Montage	17
Funktion	18
Reinigung, Pflege & Wartung	20
Den Maschinenraum Herausziehen	21
Optionales Zubehör (Nicht Enthalten)	22
Von Tür Auf Schublade Wechseln	23
Technische Daten	24
Fehlerbehebung	25
Entsorgung	26
Gewährleistung	26

Sicherheitshinweise



WICHTIG: Lesen Sie diese Bedienungsanleitung aus Sicherheitsgründen vor der Installation und Verwendung dieses Produkts sorgfältig durch. Bewahren Sie diese für ein zukünftiges Nachschlagen auf.

Stellen Sie das Produkt auf einen flachen, stabilen Untergrund.

Ggf. erforderliche Installations- und Reparaturarbeiten sind von einem Kundendienst/qualifizierten Techniker durchzuführen. Entfernen Sie keine Komponenten oder Wartungsplatten vom Produkt.

Beachten Sie in Bezug auf die nachfolgenden Punkte örtlich und national geltende Normen:

1. Gesundheit und Sicherheit am Arbeitsplatz
2. Brandschutz
3. IEE-Verdrahtungsvorschriften
4. Bauvorschriften
5. Dieses Gerät ist für die gewerbliche Nutzung bestimmt.
6. Gerät NICHT im Freien verwenden.
7. Gerät NICHT eigenständig reparieren.
8. Gerät NICHT verwenden, wenn es beschädigt ist. Wenden Sie sich im Zweifelsfall an einen Kundendienst.
9. KEINE elektrischen Geräte im Inneren des Produkts verwenden (z.B. Heizer, Eiscreme-Maschinen, usw.), es sei denn diese wurden vom Hersteller dafür empfohlen.
10. Blockieren Sie nicht die Ventilationsöffnungen im Gerätegehäuse oder in der Einbaukonstruktion.
11. Verwenden Sie keine mechanischen Vorrichtungen oder andere Mittel außer den vom Hersteller empfohlenen, um den Abtauprozess zu beschleunigen.
12. Beschädigen Sie NICHT den Kühlkreislauf.
13. NICHT auf das Gestell, die Einschübe oder die Tür en stellen oder darauf abstützen.
14. Lassen Sie KEIN ÖL oder Fett mit den Plastikkomponenten oder der Türdichtung in Kontakt kommen. Nach Kontakt umgehend reinigen.
15. Dieses Gerät ist geeignet für den Gebrauch durch Kinder ab 8 Jahren und Personen mit eingeschränkten körperlichen, sensorischen oder geistigen Fähigkeiten, oder ohne Erfahrung und Wissen, sofern sie beaufsichtigt oder über die Nutzung des Geräts angeleitet werden und die damit einhergehenden Gefahren verstehen.
16. Lassen Sie Kinder nicht mit dem Gerät spielen.
17. Reinigungs- und Wartungsarbeiten am Gerät dürfen von Kindern nur unter Aufsicht durchgeführt werden .
18. Stellen Sie KEINE brennbaren, explosiven oder flüchtigen Substanzen, korrosiven Säuren oder Alkalien oder Flüssigkeiten in das Gerät.
19. Bewahren Sie in diesem Gerät KEINE medizinischen Betriebsstoffe auf.
20. Verwenden Sie für die Reinigung des Geräts KEINE Strahl-/Druckreinigungsgeräte.
21. Lassen Sie Kinder NICHT mit Verpackungen spielen. Entsorgen Sie Plastikbeutel zuverlässig .
22. Flaschen, die hochprozentigen Alkohol enthalten, müssen verschlossen und aufrecht in den

- Kühlschrank gestellt werden .
23. Tragen, lagern und handhaben Sie das Gerät immer in aufrechter Position. Halten Sie das Gerät zum Umstellen am Gestell fest.
 24. Schalten Sie das Gerät vor der Reinigung aus und trennen Sie es von der Stromversorgung .
 25. Im Falle von Beschädigungen muss das Netzkabel vom Hersteller, einem autorisierten Kundendienstmitarbeiter oder einer ähnlich qualifizierten Person ersetzt werden, um Gefährdungen zu vermeiden.
 26. Nur für den Innengebrauch. Nicht geeignet für die Installation in Umgebungen, in denen ein Wasserstrahl zum Einsatz kommen könnte. Nicht mit Wasserstrahl reinigen.
 27. Um einen sicheren Gebrauch zu gewährleisten, vergewissern Sie sich, dass das Gerät gemäß den Angaben in der Bedienungsanleitung installiert und angeschlossen wurde.
 28. Reparaturen und Arbeiten am Gerät dürfen nur vom Kundendienst durchgeführt werden.
 29. Bewahren Sie den Schlüssel zum elektrischen Schaltschrank für Kinder und Benutzer unzugänglich auf.
 30. Bewahren Sie keine explosiven Gegenstände wie z. B. Sprühdosen mit brennbaren Treibgasen in diesem Gerät auf.
 31. Diese Bedienungsanleitung finden Sie auch auf unserer Webseite: www.rightwayasia.com

Montage

- Nehmen Sie das Gerät aus der Verpackung. Entfernen Sie Schutzfolien und -überzüge sorgfältig von allen Oberflächen. Um Schäden am Gerät und Verletzungen zu vermeiden, empfehlen wir, das Gerät von zwei Personen auspacken und installieren zu lassen.
- Lassen Sie zwischen dem Gerät und Wänden oder anderen Gegenständen einen Mindestabstand von 20 cm (7 Zoll) für die Ventilation. Erhöhen Sie diesen Abstand, falls es sich bei solchen Gegenständen um eine Wärmequelle handelt.
- Stellen Sie das Gerät auf einen stabilen, ebenen Boden, um Lärm und Vibrationen zu vermeiden. Richten Sie das Gerät durch Verstellung der Schraubfüße aus.
- Die zulässige Umgebungstemperatur für die COUNTER beträgt zwischen 10 °C und 32 °C (Klimaklasse 4). Stellen Sie das Gerät nicht in direkter Sonneneinstrahlung oder in der Nähe von Wärmequellen wie z. B. Backöfen oder Heizgeräten auf.
- Sorgen Sie für eine ordnungsgemäße Belüftung des Geräts.
- Vergewissern Sie sich, dass die verwendete Stromversorgung und Spannung mit den Angaben auf dem Typenschild übereinstimmen. Der Stecker muss nach der Installation zugänglich sein.
- Verbinden und trennen Sie den Stecker ordnungsgemäß. Achten Sie darauf, den Stecker beim Verbinden vollständig einzuführen. Halten Sie den Stecker beim Trennen immer am Körper des Steckers fest. Niemals direkt am Kabel ziehen.
- Falls Sie die COUNTER längere Zeit nicht verwenden werden, schalten Sie diese aus und trennen Sie den Netzstecker. Reinigen Sie das Gerät und lassen Sie die Tür & den Deckel geöffnet, um die Bildung von Gerüchen zu vermeiden.
- **Wichtig! Aus Gründen Ihrer eigenen Sicherheit muss dieses Gerät ordnungsgemäß geerdet werden.** Das Kabel dieses Geräts ist mit einem Erdungsleiter mit Erdungsstecker ausgerüstet. Dieser Stecker muss an eine sachgemäß geerdete und installierte Steckdose angeschlossen werden. Wenden Sie sich an einen qualifizierten Elektriker oder einen Kundendienst, falls Sie die

Erdungsanleitungen nicht vollständig verstehen. Falls Sie Zweifel darüber haben, ob das Gerät ordnungsgemäß geerdet ist, lassen Sie den Kreislauf von einem qualifizierten Elektriker überprüfen, um sicherzustellen, dass die Steckdose richtig geerdet ist.

- Falls das Kabel nicht bis zur nächsten Steckdose reicht, dann ändern Sie entweder das Ladenlayout oder lassen Sie von einem qualifizierten Elektriker eine neue Steckdose installieren.
- Warten Sie nach Stromunterbrechungen mindestens 3 Minuten, bis Sie das Gerät erneut einschalten, um Schäden am Kompressor zu vermeiden.
- Stellen Sie keine Geräte wie z. B. Mikrowellen, Toaster oder andere Geräte, die Wärme abstrahlen, auf das Gerät.

Installation der Regale/Einschübe

Hinweis: Falls das Gerät nicht in aufrechter Position gelagert oder umgestellt wurde, lassen Sie es vor der Inbetriebnahme ungefähr 12 Stunden stehen.

Hinweis: Reinigen Sie die Regale und das Innere des Geräts vor dem erstmaligen Gebrauch mit Spülwasser.

Hinweis: Dies ist unerlässlich für den ordnungsgemäßen Abfluss der Kondensation.

- Installieren Sie ein Paar Gleitschienen in gewünschter Höhe an den Seiten des Schrank.
- Schieben Sie das Regal/den Einschub hinein.
- Installieren Sie die verbleibenden Regale auf die gleiche Art und Weise.

Funktion

Lebensmittel aufbewahren

Beachten Sie folgende Anleitungen, um optimale Ergebnisse mit Ihrem Gerät zu erzielen:

- Bewahren Sie Lebensmittel erst dann im Gerät auf, nachdem dieses die richtige Betriebstemperatur erreicht hat.
- Die GN-Behälter müssen immer auf deren Abstellwannen installiert werden, auch wenn sie unbenutzt oder leer sind, anderenfalls wird die Effizienz des Geräts deutlich beeinträchtigt.
- Schließen Sie während des Nichtgebrauchs die Tür, den Deckel und die Einschübe.
- Stellen Sie nur abgedeckte Speisen und Flüssigkeiten in das Gerät.
- Decken Sie Speisen ab oder wickeln Sie diese ein, sofern dies möglich ist.
- Blockieren Sie nicht die Ventilatoren im Inneren des Geräts.
- Öffnen Sie die Türen/Einschübe nicht zu lange.
- Die Höchstlast pro Regal/Einschub beträgt 30 kg.
- Packen Sie Speisen in einen Behälter, bevor Sie diese in den Schrank oder auf ein Regal stellen. Lebensmittel dürfen nicht direkt in den Schrank gelegt werden.
- Wenn Sie feuchte Lebensmittel/ feuchtes Gemüse in die Saladette legen, ist es normal, dass sich auf der Oberfläche Eis (Tau) bildet.

Einschalten

- Schließen Sie die Tür/den Deckel/den Einschub des Geräts.
- Vergewissern Sie sich, dass der Netzschalter auf der Position [O] steht; schließen Sie dann den Stecker an eine Steckdose an.
- Schalten Sie das Gerät ein [I]. Die aktuelle Temperatur im Inneren des Geräts wird angezeigt.
- ✱ auf dem Bedienfeld blinkt für 3 Minuten und weist somit auf eine Verzögerung zwischen dem

Ausschalten und erneuten Einschalten des Motorkompressors hin.

Deckel oder Einschub öffnen/schließen

WARNUNG: Der Schiebedeckel hat keinen Verriegelungsmechanismus. Der Deckel muss sich in „halb geöffneter“ Position befinden, bevor Sie ihn öffnen.

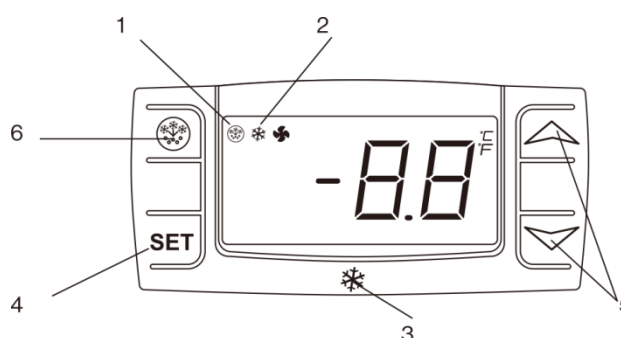
WARNUNG: Nehmen Sie den Einschub nicht aus der vollständig geöffneten Position, um Verletzungen zu vermeiden. Der Deckel der GSA hat unterschiedliche Positionen:

- Ist der Deckel geschlossen, schieben Sie das Panel zurück bis zur halb geöffneten Position. Dies ermöglicht den teilweisen Zugriff auf die Abstellwannen der GN-Behälter.
- Heben Sie den Deckel nach hinten an, sodass das Scharnier in den Aufnahmeschlitz einrastet.
- Heben Sie den Deckel vollständig nach hinten hin ab, um die Abstellwannen der GN-Behälter freizulegen.

Einstellung und Steuerung der Temperatur (DIXELL)

Frontpanel des Thermostats

1. Abtau-Anzeige
2. Kompressor-Betriebsanzeige
3. Digitales Thermostat
4. Programmieraste (nur für Wartungstechniker)
5. Temperaturtasten
6. Manuelles Abtauen



Eingestellten Wert anzeigen

- **SET**-Taste drücken und sofort wieder loslassen; der eingestellte Wert wird dann angezeigt.
- **SET**-Taste erneut drücken und sofort wieder loslassen, oder 15 Sekunden lang warten, um zur normalen Anzeige zurückzukehren.

Eingestellten Wert ändern

- Halten Sie die **SET**-Taste länger als 2 Sekunden gedrückt, um den eingestellten Wert zu ändern.
- Der eingestellte Wert wird angezeigt und „°C“ beginnt zu blinken.
- Drücken Sie innerhalb von 15 Sekunden die Tasten „^“ (hoch) oder „v“ (runter) zum Einstellen des neuen Werts.
- Drücken Sie die **SET**-Taste erneut oder warten Sie 15 Sekunden, um den neu eingestellten Wert zu speichern.

Automatisches Abtauen

Das Gerät führt automatische Abtauvorgänge durch.

Hinweis: Der Zyklus startet ab der erstmaligen Einschaltung des Geräts.

Gerät manuell abtauen:

Halten Sie die Taste **DEFROST**  für 5 Sekunden gedrückt.

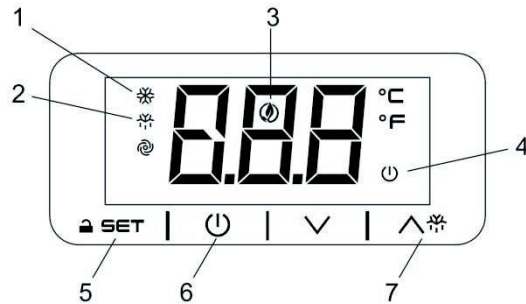
Der Abtauvorgang beginnt umgehend und die Abtauuings-LED leuchtet auf.

Hinweis: Beim manuellen Abtauen wird die Abtau-Zeitschaltung automatisch zurückgesetzt.

Temperatureinstellung und Überwachung(EVCO)

Die Vorderseite des Thermostats

1. LED Kompressor
2. LED Abtauen
3. LED Energiesparfunktion
4. LED Stand-by
5. Programmieraste (nur Kundendienst)
6. Maschine /Stand -by (gedrückt halten)
7. Manuelle s Abtauen (gedrückt halten)



Sperrn/ Entriegeln der Tastatur («Loc» message)

- Drücken Sie eine beliebige Taste länger als zwei Sekunden und die Meldung "UnL" wird angezeigt, um die Tastatur zu entriegeln.

Hinweis: Aus Sicherheitsgründen wird die Tastatur automatisch nach 30s ohne Betätigung der Tasten gesperrt,

Für Ausführung aller Operationen bitte entsperren Sie zuerst die Tastatur
Einstellung und Änderung des Setpoints

- Drücken und sofort wieder **SET** loslassen. Der Sollwert wird angezeigt und beginnt zu blinken .
- Um den eingestellten Wert zu ändern , drücken oder innerhalb 20 sek.
- Zum Speichern der neuen Sollwerte, nochmal bitte **SET** drücken oder abwarten 20 sek.

Automatisches Abtauen

Das Gerät führt automatische Abtauvorgänge durch.

Hinweis: Der Zyklus beginnt von der Zeit an, zu der das Gerät zum ersten Mal eingeschaltet wurde.

Manuelles Aktivieren von Abtauen:

- Drücken und halten die Taste DEFROST für 3 sek;
- Der Abtauvorgang beginnt umgehend und die Abtauwungs -LED leuchtet auf.

Hinweis: Beim manuellen Abtauen wird die Abtau -Zeitschaltung automatisch zurückgesetzt.

STAND-BY Modus

- Die Taste für 4 Sek. gedrückt halten. Das Gerät wird aus dem ON- Modus ins STAND-BY-Modus wechseln und umgekehrt. Während die Taste gedrückt gehalten wird, blinkt LED und zeigt die Modusänderung.

Reinigung, Pflege & Wartung

Regelmäßige Wartung

Schalten Sie das Gerät vor der Reinigung aus und trennen Sie es vom Netzstrom.

- Reinigen Sie das Gehäuse und das Innere des Geräts so oft wie möglich.
- Reinigen Sie das Gerät mit einem feuchten Lappen. Lassen Sie den Schalter, das Bedienfeld, das Kabel oder den Stecker niemals nass werden.
- Verwenden Sie keine scheuernden Reinigungsmittel. Diese können schädliche Rückstände hinterlassen. Verwenden Sie nur mildes Spülwasser.
- Reinigen Sie die Türdichtung nur mit Wasser.
- Achten Sie darauf, dass kein Reinigungswasser in die elektrischen Komponenten eindringt.
- Nicht mit einem Wasserstrahl reinigen.

- Nach dem Reinigen immer mit einem weichen Lappen trocken wischen.
- Achten Sie darauf, dass während der Reinigung verwendetes Wasser nicht durch das Abflussloch der Verdampfer-Auffangschale läuft.
- Verdampfer-Auffangschale läuft.
- Vorsicht ist bei der Reinigung der Rückseite geboten.
- Reparaturen dürfen nur von einem Vertreter oder qualifizierten Techniker durchgeführt werden.
- Falls Sie das Gerät längere Zeit nicht verwenden werden, stellen Sie den Schalter auf die AUS-Position und ziehen Sie den Netzstecker. Leeren Sie das Kühlschranksfach und reinigen Sie es gründlich.

Spezielle Wartung

Die Anleitungen im nachfolgenden Kapitel werden nur für FACHKRÄFTE bereitgestellt.

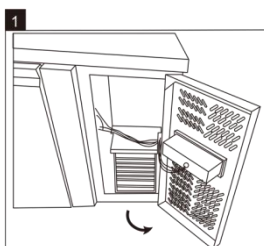
Regelmäßige Wartungen

- Reinigen Sie den Kondensator regelmäßig mit geeigneten Hilfsmitteln (Staubsauger oder weiche Bürsten).
- Vergewissern Sie sich, dass die elektrischen Anschlüsse nicht locker sind.
- Vergewissern Sie sich, dass das Thermostat und der Sensor in ordnungsgemäßem Zustand sind.
- Durch regelmäßige Reinigung des Kondensators kann die Nutzungsdauer des Geräts verlängert werden.
- Es wird empfohlen, den Kondensator von einem Vertreter oder qualifizierten Techniker reinigen zu lassen.
- Bewahren Sie den Schlüssel zum elektrischen Schaltschrank für Kinder und Benutzer unzugänglich auf.
- Verwenden Sie nur den Schlüssel zum Öffnen des Schlosses.

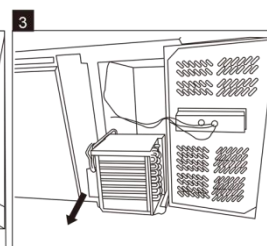
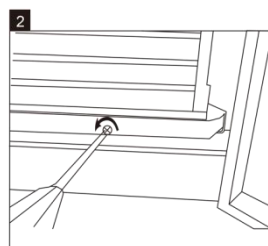
Marmorpflege

- Verwenden Sie keine Scheuermittel oder Reinigungsmittel für die Reinigung der Arbeitsplatte. Mit warmem Spülwasser reinigen.
- Legen Sie keine heißen oder gefrorenen Materialien auf die Marmorplatte, um ein Zerschlagen des Marmors zu vermeiden.
- Beseitigen Sie verschüttete Flüssigkeiten so schnell wie möglich, insbesondere Zitronensaft oder Essig.
- Wir empfehlen die Verwendung eines Schneidbretts, um Schäden an der Arbeitsplatte zu vermeiden.
- Nach der Reinigung gründlich mit einem weichen Lappen abtrocknen.

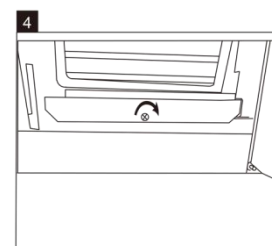
Den Maschinenraum Herausziehen



P2M026STD-Ver1.0



21



Optionales Zubehör (Nicht Enthalten)

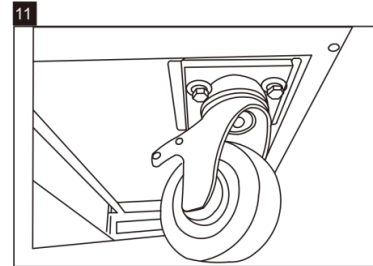
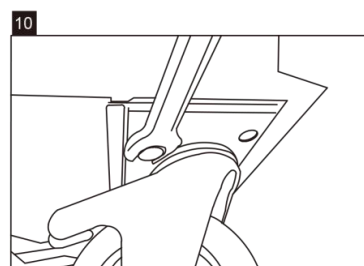
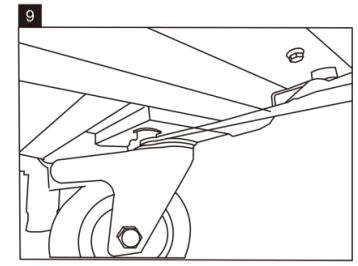
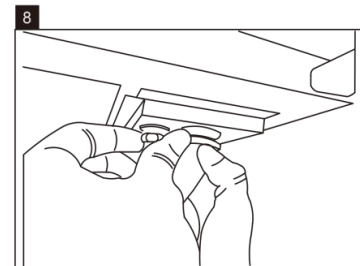
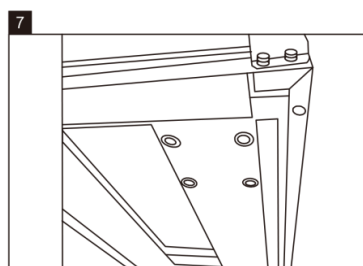
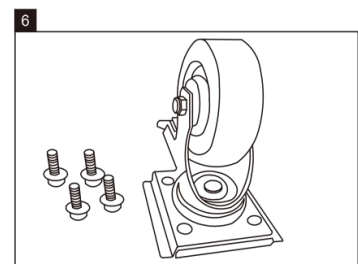
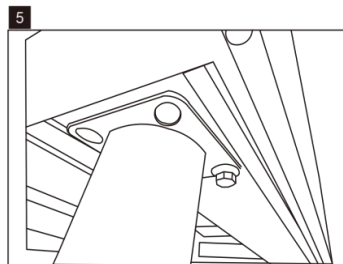
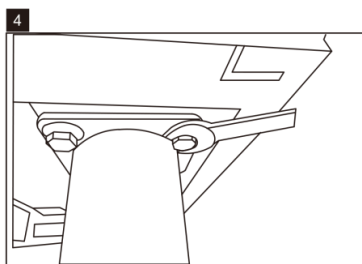
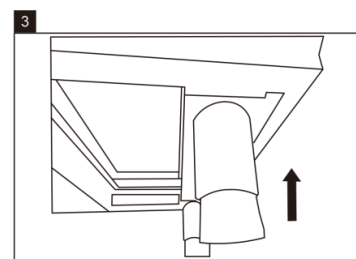
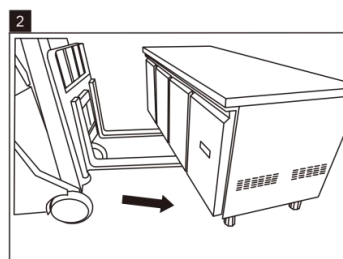
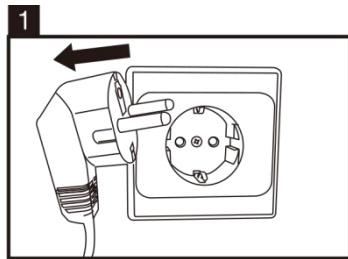
Komponente: Vier Lenkrollen

Positionierung: Befestigen Sie die Lenkrollen mit Bremse an der Unterseite vorn und die beiden Lenkrollen ohne Bremse an der Unterseite hinten.

Vorgehensweise: Ersetzen Sie die FüÙe der Saladette anhand der nachfolgenden 8 Schritte durch die Lenkrollen.

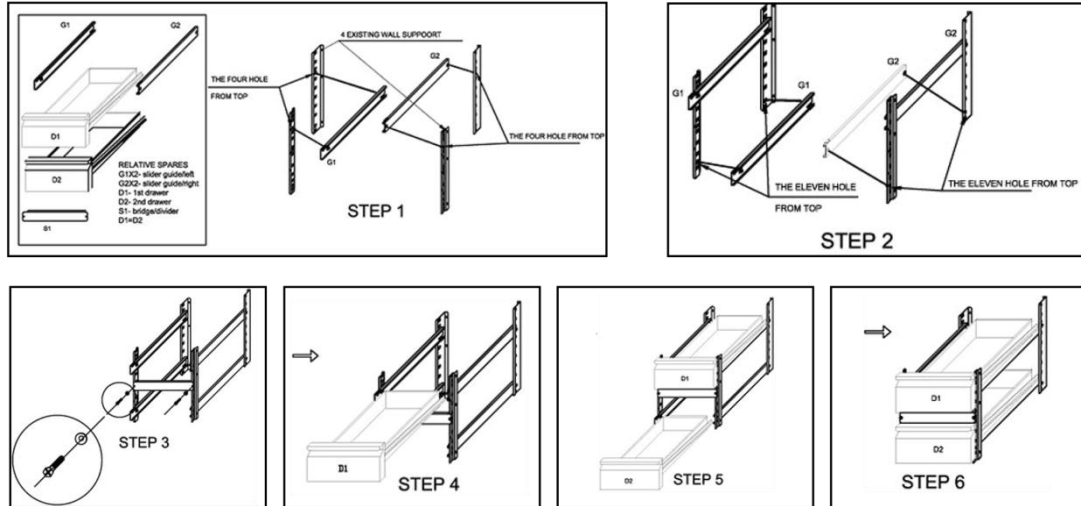
Achtung:

- Trennen Sie das Gerät vor der Installation vom Netzstrom.
- Sichern Sie den Gabelstapler vor der Installation.
- Sichern Sie alle EinschüÙe, Regale, Deckel und Türen vor der Installation.
- Leeren Sie den Schrank vor der Installation.
- Verriegeln Sie nach der Installation die Bremsen an den Lenkrollen.

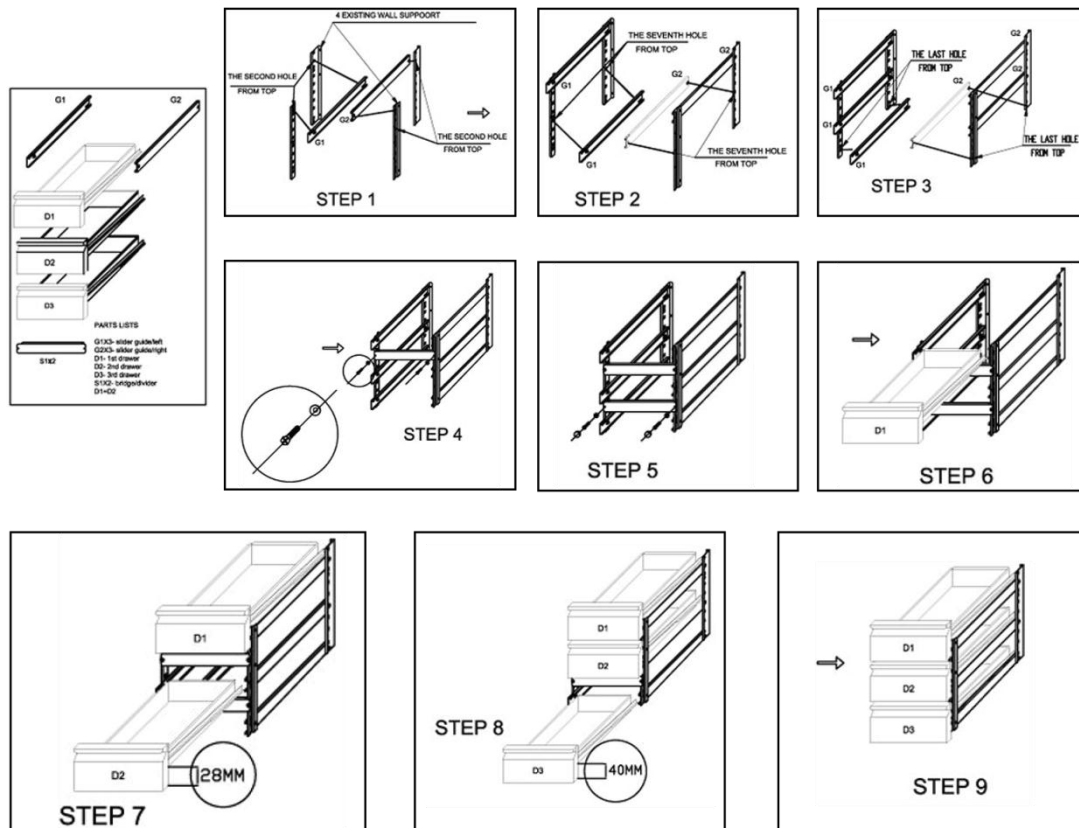


Von Tür Auf Schublade Wechseln

Set2 Drawer Assembly Guide



Set3 Drawer Assembly Guide



Technische Daten

Bitte beachten Sie die letzten Seiten der Bedienungsanleitung

Hinweise zum Umweltschutz



Alt-Elektrogeräte sind Wertstoffe, sie gehören daher nicht in den Hausmüll! Wir möchten Sie daher bitten, uns mit Ihrem aktiven Beitrag bei der Ressourcenschonung und beim Umweltschutz zu unterstützen und dieses Gerät bei den eingerichteten Rücknahmestellen abzugeben.

Model	Counter 2 Doors Refrigerator	Counter 3 Doors Refrigerator	Counter 4 Doors Refrigerator
Klimaklasse	4	4	4
Kältemittel	R134a	R134a	R134a
Kältemittelfüllung	For technical details and electrical diagram see label on the back of the product.		
Temperaturbereich			
Nennleistung			
Nennfrequenz			
Versorgungsaapannung			
Nettovolumen liter			
Nettogwicht			
Schaummittel	CP/IP	CP/IP	CP/IP

Model	Counter 2 Doors Freezer	Counter 3 Doors Freezer	Counter 4 Doors Freezer
Klimaklasse	4	4	4
Kältemittel	R404a	R404a	R404a
Kältemittelfüllung	For technical details and electrical diagram see label on the back of the product.		
Temperaturbereich			
Nennleistung			
Nennfrequenz			
Versorgungsaapannung			
Nettovolumen liter			
Nettogwicht			
Schaummittel	CP/IP	CP/IP	CP/IP

Fehlerbehebung

Falls an Ihrem Gerät eine Fehlfunktion auftritt, informieren Sie sich bitte in der nachfolgenden Tabelle.

Fehler	Mögliche Ursache	Aktion
Gerät funktioniert nicht	Gerät nicht eingeschaltet	Vergewissern Sie sich, dass das Gerät richtig angeschlossen und eingeschaltet ist
	Stecker und Kabel beschädigt	Kontaktieren Sie den Kundendienst oder einen qualifizierten Techniker
	Sicherung im Stecker durchgebrannt	Ersetzen Sie die Sicherung (UK-Stecker)
	Stromversorgung	Überprüfen Sie die Stromversorgung
Gerät eingeschaltet, aber Temperatur zu hoch/niedrig	Zu viel Eis auf dem Verdampfer	Tauen Sie das Gerät ab
	Kondensator verstaubt	Kontaktieren Sie den Kundendienst oder einen qualifizierten Techniker
	Türen schließen nicht richtig	Überprüfen Sie, ob die Türen richtig verschlossen und die Dichtungen unbeschädigt sind
	Gerät steht neben einer Wärmequelle oder der Luftstrom zum Kondensator wird blockiert	Stellen Sie den Kühlschrank an einem passenderen Ort auf
	Umgebungstemperatur zu hoch	Verbessern Sie die Belüftung oder stellen Sie das Gerät an einen kühleren Ort
	Aufbewahrung nicht geeigneter Lebensmittel im Gerät	Entnehmen Sie übermäßig heiße Speisen und befreien Sie das Gebläse von Blockaden
	Gerät überlastet	Reduzieren Sie die Menge der aufbewahrten Lebensmittel
Das Gerät ist ungewöhnlich laut	Mutter/Schraube locker	Alle Muttern und Schrauben überprüfen und festziehen
	Gerät nicht in ebener oder stabiler Position installiert	Überprüfen Sie die Installationsposition und ändern Sie diese gegebenenfalls
Wasser tritt aus dem Gerät aus.	Gerät nicht richtig nivelliert	Richten Sie das Gerät durch Einstellen der Schraubfüße aus (sofern vorhanden)
	Auslass blockiert	Befreien Sie den Auslass
	Wasserabfluss blockiert	Räumen Sie den Geräteboden frei (sofern zutreffend)
	Wasserbehälter beschädigt	Kontaktieren Sie den Kundendienst oder einen qualifizierten Techniker
	Die Auffangschale läuft über	Leeren Sie die Auffangschale (sofern zutreffend)

Entsorgung

Wenn Sie den Schrank am Ende der Nutzungsdauer entsorgen möchten, entfernen Sie die Türen, damit sich keine Kleinkinder im Schrank einsperren können. Entsorgen Sie das Gerät umweltgerecht.

Kontaktieren Sie einen qualifizierten Kundendiensttechniker:

1. Zur Rücknahme des Kältemittels/Freon
2. Zum Entfernen des Kompressors oder zum Entfernen des Öls vom Kompressor
3. Zum Entfernen aller brennbaren Isoliergase

Der Zwischen-/Einzelhändler setzt sich dann mit dem örtlichen Metall-Recyclingunternehmen zum Abholen des verbleibenden Schrankes, der Regale usw. in Verbindung. Es gibt möglicherweise spezielle Anforderungen oder Konditionen. Informationen über die Entsorgung von Kühlgeräten erhalten Sie von:

- Ihrem Händler
- Ihren Behörden vor Ort (Gemeinderat, Umweltamt, usw.)

Die Entsorgung gefährlicher Substanzen kann gemäß den Vorgaben von Umweltgesetzen mit Geld- oder Gefängnisstrafen geahndet werden.

1. Das Kühlmittel in diesem Gerät enthält fluorierte Treibhausgase gemäß Kyoto-Protokoll. Dieses Gas ist gefährlich für die Umwelt und trägt zur Erderwärmung bei, falls es in die Erdatmosphäre gelangt.
2. Das Kühlmittel R-134a / R-404a ist ein fluoriertes Treibhausgas gemäß Kyoto-Protokoll. Es hat ein Treibhauspotenzial (GWP) von 1430.

Richtige Entsorgung dieses Produkts



Diese Markierung weist darauf hin, dass das Produkt innerhalb der EU nicht über den normalen Haushaltsmüll entsorgt werden darf. Recyceln Sie das Gerät verantwortungsbewusst, um mögliche Auswirkungen auf die Umwelt und Gesundheit zu vermeiden und um eine nachhaltige Wiederverwertung von Rohstoffen zu unterstützen.

Geben Sie Ihr Produkt an Sammelstellen ab oder wenden Sie sich an den Händler, bei dem Sie das Gerät erworben haben. Dort wird das Gerät für ein umweltgerechtes Recycling entgegengenommen.

Gewährleistung

Für dieses Produkt gilt die gesetzliche Gewährleistung.

Schäden, die durch unsachgemäße Behandlung oder Bedienung, durch falsches Aufstellen oder Aufbewahren, durch unsachgemäßen Anschluss oder Installation, sowie durch höhere Gewalt oder sonstige äußere Einflüsse entstehen, fallen nicht unter die Gewährleistung. Falls produktspezifische Hinweise beiliegen, empfehlen wir dringend diese zu lesen und zu beachten.

Hinweise:

1. Sollte Ihr Produkt nicht mehr richtig funktionieren, prüfen Sie bitte zunächst, ob andere Gründe, wie z. B. eine unterbrochene Stromversorgung (insofern es sich um ein elektronisches Gerät handelt) oder generell eine falsche Handhabung, die Ursache sein könnten.
2. Beachten Sie bitte, dass Sie Ihrem defekten Produkt nach Möglichkeit folgende Unterlagen bzw.

Informationen beifügen oder diese bereithalten:

- Kaufquittung
- Gerätebezeichnung / Typ / Marke

- Beschreibung des aufgetretenen Mangels mit möglichst genauer Fehlerangabe

Bei Gewährleistungsansprüchen oder Störungen wenden Sie sich bitte an Ihre Einkaufsstätte.

Cher Client,

Félicitations pour l'achat de ce produit. Comme pour tous les produits de RWA, la conception de ce produit repose également sur les connaissances techniques les plus récentes et sur l'utilisation de composants électriques/électroniques modernes pour sa production.

Veuillez prendre quelques minutes pour lire le mode d'emploi avant de mettre la machine en service. Nous vous remercions.

Table Des Mat IÈRes

Conseils de sécurité	30
Installation.....	31
Fonction	32
Nettoyage, Entretien Et Maintenance.....	35
Moyen D'Extraire Le Panneau Du Moteur	36
Accessoire Optionnel (Non Inclus)	36
Comment Changer De Port À Tiroir.....	38
Données Techniques	39
Dépannage.....	40
Mise Au Rebut.....	41
Garantie.....	41

Conseils de sécurité



IMPORTANT : Pour votre sécurité, veuillez lire le manuel attentivement avant d'installer ou d'utiliser ce produit. Conservez ce manuel pour consultation ultérieure.

Placez l'appareil sur une surface plate et stable.

Un réparateur agréé/technicien qualifié devrait effectuer l'installation et toute réparation qui s'avérerait nécessaire. Ne retirez aucun composant ou abattant de service sur ce produit.

Consultez les normes locales et nationales suivantes pour vous y conformer:

1. Législation relative à la santé et à la sécurité au travail
2. Mesures anti-incendie
3. Normes de câblage IEE
4. Normes de construction
5. Cet appareil est destiné à un usage commerciale.
6. N'utilisez PAS l'appareil à l'extérieur.
7. NE tentez PAS de réparer l'appareil par vous-même.
8. N'utilisez PAS d'appareils endommagés. En cas de doute,
9. veuillez consulter des réparateurs agréés.
10. N'utilisez PAS d'appareils électriques à l'intérieur de l'appareil (par ex., appareils de chauffage, machines à crème glacée, etc.), à moins qu'ils ne soient recommandés par le fabricant.
11. N'obstruez pas les orifices de ventilation de l'enceinte de l'appareil ou de la structure intégrée.
12. N'utilisez PAS de dispositifs mécaniques ou tous autres moyens pour accélérer le processus de dégivrage autres que ceux recommandés par le fabricant.
13. N'endommagez PAS le circuit réfrigérant.
14. NE vous mettez PAS debout et NE vous appuyez PAS sur la base, les tiroirs ou les portes. NE laissez NI huile, NI graisse entrer en contact avec les éléments en plastique ou le joint de la porte. En cas de contact, nettoyez immédiatement.
15. Cette unité peut être utilisée par des enfants de plus de 8 ans, ainsi que par des personnes aux capacités physiques, sensorielles ou mentales réduites ou ne possédant pas l'expérience ni le savoir-faire, du moment qu'ils sont sous surveillance ou qu'ils aient reçu les instructions d'utilisation de l'appareil, et qu'ils comprennent les risques pouvant en résulter.
16. NE laissez PAS les enfants jouer avec l'appareil.
17. Le nettoyage et l'entretien de la part de l'utilisateur ne doivent pas être effectués par des enfants laissés sans surveillance.
18. NE placez AUCUNE substance combustible, explosive ou volatile, NI AUCUN fluide agressif, acide et alcalin dans l'appareil.
19. N'utilisez PAS cet appareil pour stocker des fournitures médicales.
20. N'utilisez PAS de nettoyeurs à jet/haute pression pour nettoyer l'appareil.
21. NE laissez PAS les enfants jouer avec l'emballage, et détruisez tous sacs en plastique de manière sécurisée.
22. Les bouteilles contenant un pourcentage élevé d'alcool doivent être fermées hermétiquement et placées à la verticale dans le réfrigérateur.
23. Transportez, rangez et manipulez toujours l'appareil en le positionnant à la verticale et

- déplacez-le en tenant la base de l'appareil.
24. Mettez toujours l'appareil hors tension, puis débranchez-le de la prise de courant avant de procéder à son nettoyage.
 25. Si le cordon d'alimentation est endommagé, son remplacement doit être confié au fabricant, à son service de réparation ou à une personne possédant les mêmes qualifications, afin de prévenir tout risque.
 26. Conçu pour une utilisation en intérieur exclusivement. Cet appareil n'est pas conçu pour être utilisé dans un endroit où des jets d'eau peuvent être utilisés. L'appareil ne doit pas être nettoyé par jet d'eau.
 27. Afin de garantir une utilisation en toute sécurité, assurez-vous que l'appareil est installé et branché conformément aux descriptions données dans le manuel d'utilisation.
 28. Toutes réparations et tous travaux sur l'appareil doivent être effectués exclusivement par notre service clientèle.
 29. La clé du meuble électrique doit être conservée hors de la portée des enfants et utilisateurs.
 30. Ne gardez pas de substances explosives, notamment des contenants d'aérosol avec des gaz propulseurs inflammables, dans cet appareil.
 31. Ce manuel est également consultable sur notre site Web : www.rightwayasia.com

Installation

- Retirez l'emballage de l'appareil. Assurez-vous de retirer de toutes les surfaces l'intégralité des films et revêtements de protection en plastique. Afin de prévenir tous risques de blessures et d'endommagement de l'appareil, nous recommandons que l'appareil soit déballé et installé par deux personnes.
- Conservez une distance de 20 cm (7 pouces) entre l'appareil et les murs ou tout autre objet, pour permettre une ventilation optimale. Augmentez cette distance si l'obstacle est une source de chaleur.
- L'appareil doit être posé sur un sol solide et nivelé afin de réduire au minimum les bruits et vibrations. Mettez l'appareil à niveau en ajustant les pieds réglables.
- La température du lieu où est placée la COUNTER doit se situer entre 10°C et 32°C (Classe climatique 4). Évitez de placer l'appareil sous la lumière directe du soleil ou à proximité d'une source de chaleur telle qu'un four ou un radiateur.
- Veuillez vous assurer que l'appareil est correctement ventilé.
- Vérifiez si l'alimentation électrique correspond à la tension indiquée sur la plaque signalétique. La fiche doit être accessible après installation.
- Branchez et débranchez la fiche de manière appropriée. Lorsque vous insérez la fiche dans une prise, assurez-vous que la fiche est entièrement insérée. Lorsque vous débranchez l'appareil, faites-le en tenant le corps de la fiche. Ne tirez jamais le cordon d'alimentation directement.
- Si la COUNTER doit être arrêtée pour une longue période de temps, éteignez-la et débranchez la fiche de la prise de courant. Nettoyez l'appareil et laissez la porte ainsi que le couvercle rabattable ouverts afin d'éviter les odeurs.
- Important ! Pour votre sécurité personnelle, cet appareil doit être mis à la terre de manière appropriée. Cet appareil est muni d'un cordon électrique comportant un conducteur de terre et une prise de mise à la terre. La fiche doit être insérée dans une prise mise à la terre et installée

de manière appropriée. Consultez un électricien qualifié ou un centre de réparation si vous ne comprenez pas parfaitement les instructions de mise à la terre. En cas de doute concernant la mise à la terre adéquate de l'appareil, faites contrôler le circuit par un électricien qualifié afin de vous assurer que la prise de courant est mise à la terre de manière appropriée.

- Si le câble n'est pas assez long pour atteindre la prise de courant la plus proche, réaménagez votre commerce ou demandez à un électricien qualifié d'installer une nouvelle prise de courant.
- En cas de coupure de courant, patientez au moins 3 minutes avant de redémarrer l'appareil, afin d'éviter d'endommager le compresseur.
- Ne placez pas d'appareils générant de la chaleur, tels qu'un four à micro-ondes, un grille-pain, etc., sur l'appareil.

Installation des étagères/tiroirs

Remarque : Si l'unité n'a pas été stockée ou déplacée dans une position verticale, posez-la verticalement pendant environ 12 heures avant de l'utiliser.

Remarque : Avant d'utiliser l'appareil pour la première fois, nettoyez les étagères et l'intérieur à l'eau savonneuse.

Remarque : Cette étape est très importante pour permettre une évacuation correcte de la condensation.

- Placez une paire de glissières de chaque côté du meuble frigorifique, à la hauteur souhaitée.
- Faites glisser l'étagère/le tiroir pour la/le mettre en place.
- Répétez l'opération pour les étagères restantes.

Fonction

Stockage des aliments

Suivez ces instructions afin d'obtenir les meilleurs résultats de votre appareil :

- Rangez des produits alimentaires dans l'appareil uniquement lorsque celui-ci a atteint la température de fonctionnement correcte.
 - Assurez-vous que les rangées des récipients GN soient toujours occupées, même lorsque les récipients GN sont inutilisés ou vides. Des rangées vides réduiront grandement l'efficacité de l'appareil.
 - Refermez toujours la porte, le couvercle rabattable ou le tiroir lorsque vous ne l'utilisez pas.
 - Ne placez pas d'aliments ou de liquides chauds non recouverts à l'intérieur de l'appareil.
 - Emballez ou recouvrez les aliments dans la mesure du possible.
 - N'obstruez pas les ventilateurs à l'intérieur de l'appareil.
 - Évitez d'ouvrir les portes/tiroirs pendant une durée prolongée.
 - La capacité de charge maximale d'une étagère/d'un tiroir est de 30 kg.
 - Les aliments doivent être mis dans des récipients avant d'être placés dans le meuble frigorifique ou sur l'étagère. Les aliments ne doivent pas être placés directement dans le meuble frigorifique.
 - Lorsque des aliments/légumes humides sont placés dans la Saladette, il est normal que de la glace (givre) se forme sur la surface.
- Mise en marche
- Fermez la porte/le couvercle rabattable/le tiroir de l'appareil.
 - Assurez-vous que le commutateur soit positionné sur [O] et activez à la prise.

- Mettez sous tension [1]. La température actuelle à l'intérieur de l'appareil s'affiche.
- Le sur le panneau de commande clignotera pendant 3 minutes, indiquant un décalage du moteur-compresseur entre le moment où il est éteint puis rallumé.

Ouverture/fermeture du couvercle rabattable ou du tiroir

AVERTISSEMENT : Le couvercle rabattable coulissant ne possède pas de système de verrouillage.

Assurez-vous toujours que le couvercle rabattable est à moitié ouvert avant de l'ouvrir.

AVERTISSEMENT : Ne tirez pas le tiroir au-delà de sa position d'ouverture complète afin d'éviter toute blessure.

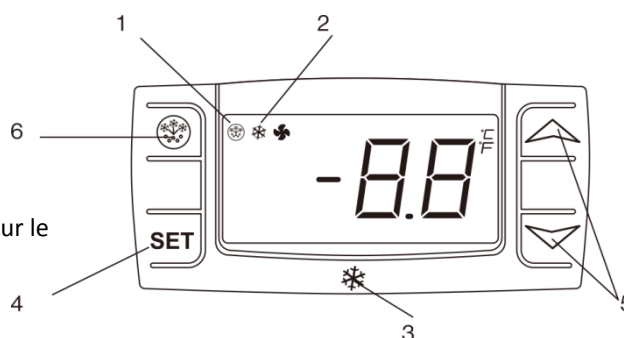
Le couvercle rabattable du GSA peut être placé sur plusieurs positions :

- Lorsque le couvercle rabattable est fermé, faites coulisser l'abattant pour le remettre en position mi-ouverte. Ceci permet un accès partiel aux plateaux récipients GN.
- Soulevez le couvercle rabattable et pousse-le vers l'arrière de manière à ce que la charnière se place dans la fente de support.
- Soulevez le couvercle rabattable et poussez-le complètement vers l'arrière afin que les plateaux récipients GN soient entièrement exposés.

Réglage et commande de la température

Panneau avant du thermostat

1. Témoin lumineux de dégivrage
2. Témoin lumineux de fonctionnement du compresseur
3. Thermostat numérique
4. Touche de programmation (uniquement pour le réparateur agréé)
5. Touches de modification de la température
6. Dégivrage manuel



Comment voir la limite définie

- Appuyez et relâchez immédiatement la touche **SET**, la limite définie s'affichera ;
- Appuyez une nouvelle fois sur la touche SET ou attendez 15 secondes. Le signal de service • normal apparaît à nouveau.

Comment modifier la limite définie

- Appuyez sur la touche SET pendant plus de 2 secondes pour modifier la valeur de la limite définie ;
- La valeur de la limite définie s'affichera et le "°C" commencera à clignoter ;
- Pour changer la valeur de réglage, appuyez sur les flèches „^ ” (haut) ou sur „V” (bas) moins de 15 secondes.
- Pour mémoriser la nouvelle valeur de réglage, appuyez à nouveau sur la clé de réglage ou

Fonction


attendez 15 secondes.

Dégivrage automatique

Les appareils exécuteront automatiquement un cycle de dégivrage.

Remarque : Le cycle démarre lors de la mise en marche initiale de l'appareil.

Pour dégivrer l'appareil manuellement :

- Appuyez et maintenez enfoncée la touche **DEFROST**  pendant 5 secondes.
- Le cycle de dégivrage commencera immédiatement et l'indicateur lumineux de dégivrage s'allumera.

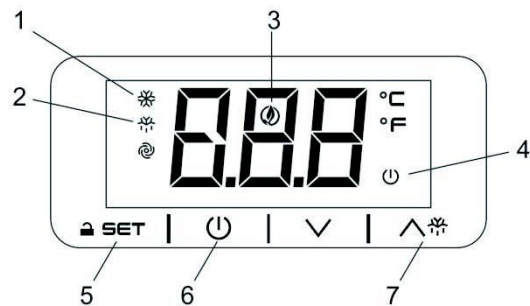
Remarque : lors du dégivrage automatique, la minuterie du dégivrage se remet automatiquement à zéro.

Le prochain cycle de dégivrage automatique commence après le dégivrage manuel.

Guide D'Utilisation Et RÉGLAGE Du Point De Consigne Du Thermostat(EVCO)

La façade du thermostat

1. Led fonctionnement Compresseur
2. Led Dégivrage
3. Led Energy saving
4. Led Stand-by
5. Touche programmation (seulement pour les utilisateurs autorisés)
6. Touche On/Stand-by (maintenir appuyer)
7. Touche dégivrage manuel (maintenir appuyer)






Comment déverrouiller le clavier («Loc» message)

- Appuyez sur un bouton pendant plus de 2s, le message «UnL» apparaîtra et le clavier sera déverrouillé.

Note: pour des raisons de sécurité le clavier se verrouille automatiquement après 30s d'inactivité sur les touches.

Pour exécuter toute opération, il faut d'abord déverrouiller le clavier.

Comment visualiser et modifier le point de consigne


- Appuyer et relâcher immédiatement la touche **SET**, le point de consigne sera visualisé et  commence à clignoter ;
- Pour changer la valeur appuyer sur la touche  ou  dans les 20 secondes.
- Pour mémoriser la nouvelle valeur du point de consigne appuyer sur la touche **SET** ou attendre 20 sec.

Dégivrage automatique

Les appareils exécuteront automatiquement un cycle de dégivrage.


Remarque: le cycle commence à partir du moment où l'appareil est mis sous tension.

Pour faire un dégivrage manuel :


- Appuyez et maintenez la touche **DEGRIVAGE**  pendant 3s.
- Le cycle de dégivrage commencera immédiatement et l'indicateur lumineux de dégivrage s'allumera.

Remarque : lors du dégivrage automatique, la minuterie du dégivrage se remet automatiquement à zéro. Le prochain cycle de dégivrage automatique commence après le dégivrage manuel.

Comment mettre l'appareil dans l'état ON / STAND -BY

- Appuyez et maintenez la touche  pendant 4s, l'appareil va passer de l'état ON à STAND-BY e

vis-versa.

- Pendant que la touche  est maintenue la LED va clignoter pour indiquer le changement d'état.

Nettoyage, Entretien Et Maintenance

Entretien de routine

Mettez l'appareil hors tension, puis débranchez la fiche d'alimentation de la prise de courant avant de procéder au nettoyage.

- Nettoyez l'enceinte et l'intérieur de l'appareil aussi souvent que possible.
- Nettoyez l'appareil à l'aide d'un chiffon humide. Ne laissez jamais le commutateur, le panneau de commande, le cordon et la fiche d'alimentation trempé.
- N'utilisez aucun produit de nettoyage abrasif. Ceux-ci risquent de laisser des résidus nocifs. Utilisez exclusivement de l'eau savonneuse douce.
- Nettoyez le joint de la porte à l'eau exclusivement.
- Veillez à ce qu'aucune goutte d'eau de nettoyage ne s'infilte dans les composants électriques.
- L'appareil ne doit pas être nettoyé par jet d'eau.
- Après nettoyage, essuyez toujours à l'aide d'un chiffon doux et sec.
- Ne laissez pas l'eau utilisée pour le nettoyage passer dans l'orifice d'évacuation vers le ventilateur d'évaporation.
- Prenez garde lorsque vous procédez au nettoyage du dos de l'appareil.
- En cas de besoin, toutes réparations doivent être confiées à un technicien qualifié.
- Si vous ne comptez pas utiliser l'appareil pendant une période prolongée, débranchez l'appareil après positionnement du commutateur sur OFF, videz le compartiment de refroidissement, puis nettoyez-le entièrement.

Entretien spécial

Les instructions données dans le paragraphe ci-dessous sont destinées aux PERSONNES QUALIFIÉES.

Interventions périodiques

- Nettoyez le condensateur périodiquement à l'aide d'outils adaptés (aspirateur ou brosses souples).
- Assurez-vous que les raccordements électriques ne sont pas desserrés.
- Assurez-vous que le thermostat et le capteur sont en bon état de fonctionnement.
- Le nettoyage périodique du condensateur peut prolonger la durée de vie de l'appareil.
- Nous recommandons que le nettoyage du condensateur soit confié à un agent ou technicien qualifié.
- La clé du meuble électrique doit être conservée hors de la portée des enfants et utilisateurs.
- Servez-vous de la clé uniquement pour ouvrir la serrure.

Entretien du marbre

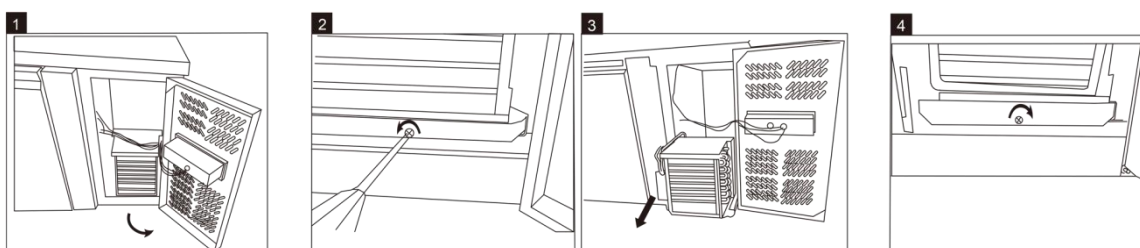
Nettoyage, Entretien Et Maintenance

- N'utilisez pas de substances ou détergents abrasifs pour le nettoyage du plan de travail. Lavez à

l'eau savonneuse tiède.

- Ne placez pas de substance chaude ou congelée sur le plan de travail en marbre, afin d'éviter de le briser
- Essuyez les écoulements aussi vite que possible, en particulier les liquides tels que le jus de citron ou le vinaigre.
- Nous recommandons l'utilisation d'une planche à découper pour éviter d'endommager le plan de travail.
- Essuyez soigneusement à l'aide d'un chiffon doux et sec après le nettoyage .

Moyen D'Extraire Le Panneau Du Moteur



Accessoire Optionnel (Non Inclus)

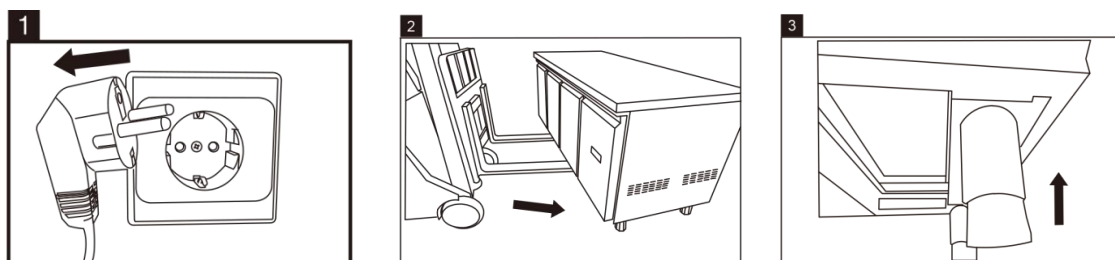
Composant : 4 Roulettes

Positionnement : 2 roulettes avec frein à fixer en bas à l'avant et 2 roulettes sans frein à fixer en bas à l'arrière.

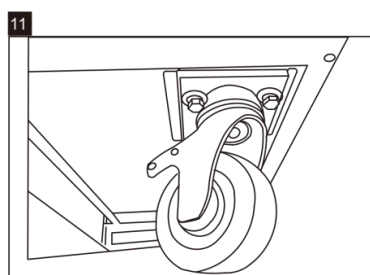
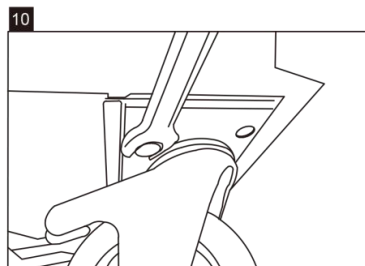
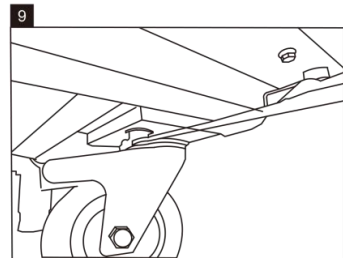
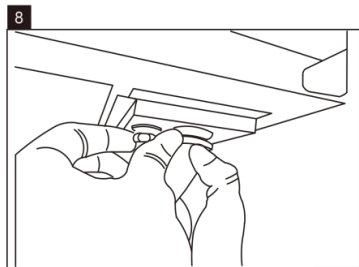
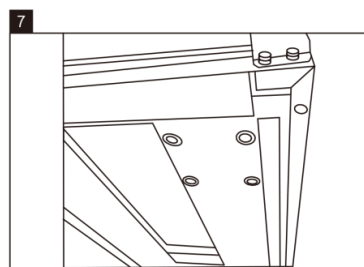
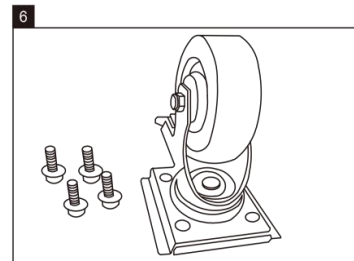
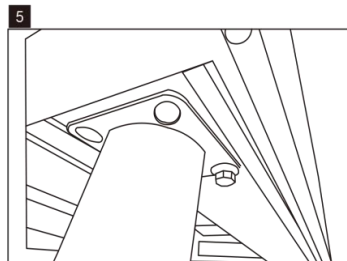
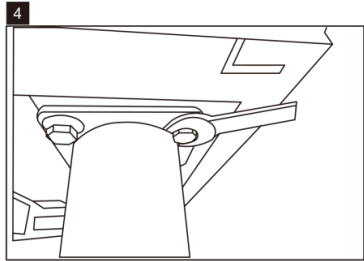
Procédure : Suivez les 8 étapes ci-dessous pour remplacer les pieds de la Saladette par des roulettes.

Attention :

- Débranchez l'appareil de la prise de courant principale avant d'effectuer le remplacement.
- Sécurisez le chariot élévateur avant d'effectuer le remplacement.
- Sécurisez les tiroirs, étagères, couvercles rabattables et portes avant d'effectuer le remplacement.
- Videz le meuble frigorifique avant d'effectuer le remplacement.
- Mettez les freins des roulettes en position verrouillage après le remplacement.



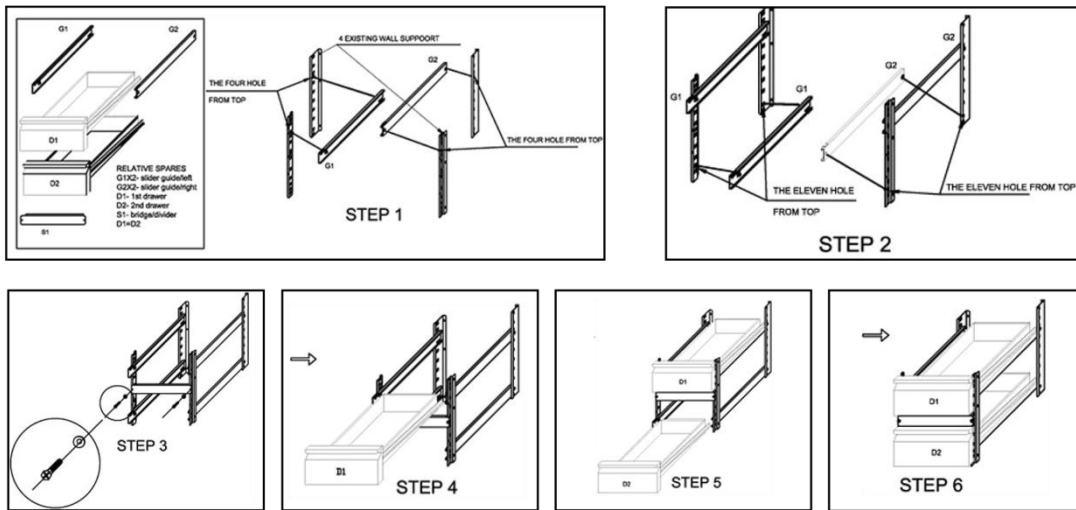
Accessoire Optionnel (Non Inclus)



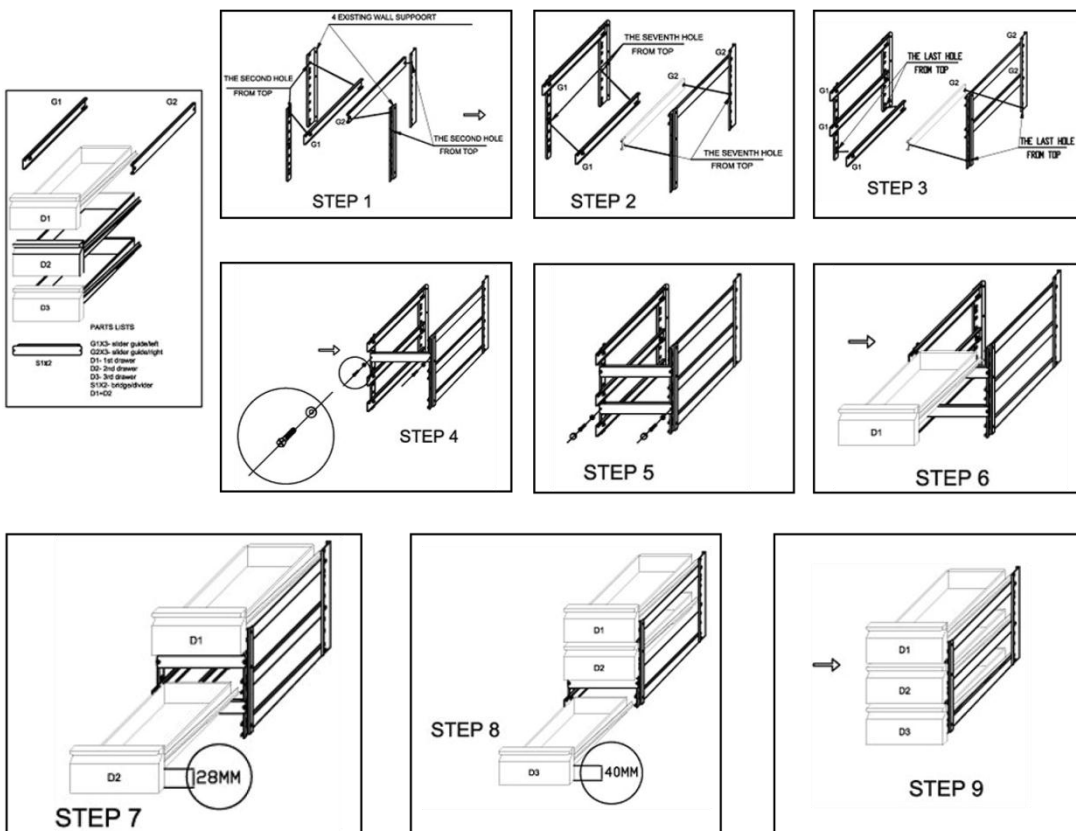
Remarque : Si vous prévoyez l'achat d'accessoires optionnels , veuillez vous renseigner auprès de notre personnel de vent

Comment Changer De Port À Tiroir

Set2 Drawer Assembly Guide



Set3 Drawer Assembly Guide



Données Techniques

S'il vous plaît vérifier les dernières pages du manuel d'utilisation

Protection de l'environnement



Les appareils électriques usagés sont recyclables et ne doivent pas être jetés avec les ordures ménagères ! Veuillez nous soutenir activement dans notre effort de conservation et de protection de l'environnement en retournant cet appareil aux centres de collecte (le cas échéant).

Modèle	Counter 2 Doors Refrigerator	Counter 3 Doors Refrigerator	Counter 4 Doors Refrigerator
Classe de Climat	4	4	4
Réfrigérant	R134a	R134a	R134a
Charge de réfrigérant	For technical details and electrical diagram see label on the back of the product.		
Gamme de températures (°C)			
Puissance nominale			
Fréq.nominale			
Puissance nominale			
Litres nets			
Poids net			
Agent moussant	CP/IP	CP/IP	CP/IP

Modèle	Counter 2 Doors Freezer	Counter 3 Doors Freezer	Counter 4 Doors Freezer
Classe de Climat	4	4	4
Réfrigérant	R404a	R404a	R404a
Charge de réfrigérant	For technical details and electrical diagram see label on the back of the product.		
Gamme de températures (°C)			
Puissance nominale			
Fréq.nominale			
Puissance nominale			
Litres nets			
Poids net			
Agent moussant	CP/IP	CP/IP	CP/IP

Dépannage

Si votre appareil tombe en panne, veuillez consulter le tableau ci-dessous.

Panne	Cause probable	Mesure
L'appareil ne fonctionne pas correctement	L'appareil n'est pas mis sous tension	Vérifiez que l'unité soit correctement branchée et sous tension.
	La fiche et le cordon sont endommagés	Contactez votre agent ou technicien qualifié
	Un fusible dans la fiche a sauté	Remplacez le fusible (fiche Royaume-Uni)
	Alimentation	Vérifiez la source d'alimentation
L'appareil se met sous tension, mais la température est trop élevée/basse	Trop de glace sur l'évaporateur	Dégivrez l'appareil
	Condensateur obstrué par la poussière	Contactez votre agent ou technicien qualifié
	Les portes ne se ferment pas correctement	Vérifiez que les portes se ferment bien et que les joints ne sont pas endommagés.
	L'appareil est placé à proximité d'une source de chaleur ou le flux d'air vers le condensateur est interrompu	Déplacez le réfrigérateur vers un emplacement plus approprié.
	Température ambiante trop élevée	Augmentez l'aération ou déplacez l'appareil vers une position moins chaude
	Des produits alimentaires non adaptés sont stockés dans l'appareil	Retirez tous produits alimentaires en excès ou toutes obstructions du ventilateur
	L'appareil est surchargé	Réduisez la quantité d'aliments stockés dans l'appareil.
L'appareil est particulièrement bruyant	Desserrez l'écrou/la vis	Contrôlez et serrez l'ensemble des écrous et vis
	L'appareil n'a pas été installé dans une position stable et à niveau	Vérifiez la position d'installation et changez-la, au besoin.
L'appareil a une fuite d'eau.	L'appareil n'est pas mis à niveau correctement	Ajustez la hauteur des pieds réglables et mettez l'appareil à niveau (le cas échéant)
	L'orifice de décharge est bouché	Nettoyez l'orifice de décharge
	Le mouvement d'eau vers l'évacuation est obstrué	Nettoyez le sol de l'appareil (le cas échéant)
	Le réservoir d'eau est endommagé	Contactez votre agent ou technicien qualifié
	Le bac récepteur déborde	Videz le bac récepteur (le cas échéant)

Mise Au Rebut

Si le meuble frigorifique ne sert plus et que vous souhaitez le mettre au rebut, retirez-en les portes afin d'empêcher tout enfant en bas âge de s'y retrouver piégé. Puis mettez-le au rebut d'une manière respectueuse de l'environnement.

Contactez un technicien d'entretien qualifié :

1. Pour récupérer tout le fréon/réfrigérant
2. Pour retirer le compresseur ou retirer l'huile du compresseur
3. Pour retirer l'isolation des gaz propulseurs inflammables

Ensuite, le distributeur/revendeur peut contacter le centre local de recyclage de métaux pour le ramassage des éléments restants du meuble, des étagères, etc.

Des exigences ou conditions particulières peuvent être en vigueur. Vous pouvez obtenir des informations relatives à la mise au rebut des appareils de froid auprès de :

- Votre fournisseur
- Les autorités publiques (le conseil municipal, le Ministère de l'Environnement, etc.)

Selon la loi, la mise au rebut des déchets dangereux peut être soumise à des amendes et peines de prison en vertu des dispositions des normes environnementales.

- Le produit réfrigérant contenu dans cette unité, un gaz à effet de serre fluoré visé par le protocole de Kyoto, est dangereux pour l'environnement et le réchauffement planétaire s'il entre en contact avec l'atmosphère.
- Le nom chimique du produit réfrigérant R-134a / R-404a est un gaz à effet de serre fluoré visé par le protocole de Kyoto, dont le potentiel de réchauffement global (PRG) est de 1430.

Mise au rebut adéquate de cet appareil



Ce marquage indique que ce produit ne doit pas être mis au rebut avec d'autres déchets ménagers, dans l'ensemble de l'Union Européenne. Afin de prévenir tout danger pour l'environnement ou la santé humaine provenant d'une élimination incontrôlée des déchets, recyclez l'appareil de façon responsable afin de promouvoir la reutilisation durable des ressources matérielles. Pour retourner votre appareil usagé, veuillez utiliser

les systèmes de collecte ou contacter le revendeur du magasin où le produit a été acheté. Ledit magasin peut reprendre votre produit en vue de son recyclage en toute sécurité.

Garantie

La garantie légale s'applique à ce produit.

Toute réclamation doit être formulée immédiatement après constatation. La demande de garantie peut être formulée par l'acheteur ou par un tiers. Le droit de garantie ne s'applique pas dans les cas suivants: mauvaise utilisation ou fausse manipulation, stockage ou rangement non soigné, mauvais branchement ou montage, violence faite à l'appareil ou toute autre influence extérieure. Nous vous recommandons de lire attentivement le mode d'emploi qui vous fournit des informations importantes. Toute demande de garantie de l'acheteur est soumise à la présentation de la preuve d'achat.

Remarques:

1. Si votre produit ne fonctionne plus correctement, merci de vérifier au préalable si une mauvaise manipulation ou une coupure d'électricité, par exemple, n'est pas à l'origine de ce

dysfonctionnement.

2. Merci de fournir dans tous les cas les informations et documents suivants relatifs à votre produit défectueux :

- Preuve d'achat
- Désignation de l'appareil / type / marque
- Description la plus précise possible du dysfonctionnement ou du défaut.

Pour toute demande de garantie ou pour signaler un dysfonctionnement, veuillez vous adresser à votre magasin.

Caro Cliente,

Parabéns pela aquisição deste produto. Tal como todos os produtos RWA, este produto foi desenvolvido com base nos mais recentes conhecimentos técnicos e foi produzido utilizando componentes electrónicos/eléctricos modernos e fiáveis.

Por favor, guarde alguns minutos antes de iniciar a operação da máquina e leia as seguintes instruções de funcionamento.

Muito obrigado.

Índice

Dicas De Segurança	44
Instalação	45
Função.....	46
Limpeza, Manutenção E Cuidado.....	48
Retire A Sala De Máquinas	49
Ace Ssório Opcional (Não Incl U Ído)	49
Indo De Porta Em Gaveta	51
Dados Técnicos.....	52
Resolução De Prob Lemas.....	53
Eliminação.....	54
Garantia.....	54

Dicas De Segurança



IMPORTANTE: Para sua segurança, leia o manual cuidadosamente antes de instalar ou utilizar este produto. Guarde este manual para referência futura.

Coloque numa superfície estável e lisa.

A instalação e quaisquer reparações, se necessárias, devem ser realizadas por um agente/técnico qualificado. Não retire quaisquer componentes ou painéis de serviço deste produto. Consulte os Padrões Nacionais e Locais para cumprir com o seguinte:

1. Legislação de Saúde e Segurança no Trabalho
2. Precauções de Incêndio
3. Regulamentações de Cablagem IEE
4. Regulamentações de Construção.
5. dispositivo é para utilização comercial.
6. NÃO utilize o dispositivo no exterior.
7. NÃO tente reparar o aparelho.
8. NÃO utilize electrodomésticos danificados. Se tiver qualquer dúvida, consulte o seu agente de serviço.
9. NÃO utilize quaisquer electrodomésticos dentro do dispositivo (por exemplo, aquecedores, máquinas de gelo, etc.) a menos que sejam do tipo recomendado pelo fabricante.
10. Mantenha as aberturas de ventilação, na caixa do aparelho ou na estrutura interna, livres de obstruções.
11. Não use dispositivos mecânicos ou outros meios para acelerar o processo de descongelamento, além dos recomendados pelo fabricante.
12. NÃO danifique o circuito de refrigeração.
13. NÃO se coloque em cima ou se apoie na base, nas gavetas ou nas portas.
14. NÃO deixe que óleo ou gordura entre em contacto com os componentes de plástico ou com o selo da porta. Limpe imediatamente se ocorrer contacto.
15. Esta unidade pode ser utilizada por crianças com idade superior a 8 anos e acima e por pessoas com capacidades físicas, sensoriais ou mentais reduzidas, ou por pessoas sem experiência ou conhecimentos, desde que sejam supervisionadas ou recebam instruções para utilizarem o aparelho de forma segura e compreendam os riscos envolvidos.
16. Não deixe que crianças brinquem com o dispositivo.
17. A limpeza e a manutenção de utilizador não deve ser realizada por crianças sem supervisão.
18. NÃO coloque artigos combustíveis, explosivos ou voláteis, ácidos corrosivos ou álcalis ou líquidos no dispositivo .
19. NÃO utilize este dispositivo para armazenar bens médicos.
20. NÃO utilize máquinas de pressão/jacto para limpar o dispositivo.
21. NÃO permita que crianças brinquem com a embalagem e elimine os sacos de plástico de forma segura .
22. Garrafas que contenham uma elevada percentagem de álcool devem ser seladas e colocadas verticalmente no frigorífico .
23. Transporte, armazene e manuseie sempre o dispositivo com uma orientação vertical e mova-o segurando pela base.
24. Desligue sempre e retire a ficha da tomada da unidade antes da limpeza .

25. Se o cabo de alimentação estiver danificado, deverá ser substituído pelo fabricante, pelo seu revendedor ou pessoa com qualificação similar de modo a evitar perigos.
26. Apenas para utilização dentro de casa. Não adequado para instalação numa área onde possa ser utilizado jacto de água. Não deve ser limpo com jacto de água.
27. Para garantir uma operação segura, certifique-se que o dispositivo está configurado e ligado tal como descrito no manual de instruções.
28. Quaisquer reparações e trabalhos no dispositivo só devem ser realizados pelo departamento de serviço de apoio ao cliente .
29. A chave para o armário deve ser guardada fora do alcance das crianças e utilizadores .
30. Não guarde neste aparelho substâncias explosivas, tais como latas de aerossol com propulsor inflamável.
31. Este manual também pode ser consultado na nossa página: www.rightwayasia.com

Instalação

- Retire o electrodoméstico da embalagem. Certifique-se que toda a película de plástico protector e revestimentos são retirados de todas as superfícies. Para evitar lesões ou danos na unidade, recomendamos que o electrodoméstico seja desembalado e montado por duas pessoas.
- Mantenha uma distância de 20 cm entre o dispositivo e as paredes ou outros objectos para uma ventilação adequada. Aumente a distância se o obstáculo for uma fonte de calor.
- electrodoméstico deverá ser colocado num chão nivelado para reduzir o ruído e a vibração. Nivele o electrodoméstico ajustando os parafusos dos pés.
- A temperatura no local onde a COUNTER é colocada deverá estar entre 10°C e 32°C (Classe Climática 4). Evite colocar à luz directa do sol ou perto de uma fonte de calor como por exemplo, um forno ou um radiador.
- Por favor, certifique-se que o dispositivo tem a ventilação adequada.
- Verifique se a alimentação eléctrica e a tensão utilizadas cumprem com os detalhes na placa identificadora. A tomada deverá estar acessível após a instalação.
- Ligue e desligue correctamente a tomada. Aquando da inserção, certifique-se que a tomada está bem colocada. Aquando da desconexão, faça-o segurando a base da tomada. Nunca puxe directamente pelo cabo eléctrico.
- Se a COUNTER for ficar desligada durante um longo período, desligue-a e desconecte a tomada da ficha eléctrica. Limpe o dispositivo e deixe a porta e a tampa abertas para evitar odores.
- **Importante! Para sua segurança pessoal, este electrodoméstico deverá ser ligado a terra adequadamente (ligação a terra).** O electrodoméstico está equipado com um cabo que tem um cabo de ligação a terra com uma tomada de terra. A ficha deverá ser inserida numa tomada que esteja adequadamente instalada e ligada a terra. Consulte um electricista qualificado ou centro de serviço se não conseguir entender na totalidade as instruções de ligação a terra. Se existirem dúvidas quanto ao
- electrodoméstico estar ligado a terra de forma adequada, peça a um electricista qualificado que verifique o circuito para se certificar que a tomada está bem ligada a terra.
- Se o cabo não chegar à tomada mais próxima, reorganize o local ou peça a um electricista qualificado que instale uma nova tomada.
- Se a potência for cortada, aguarde pelo menos 3 minutos antes de reiniciar o electrodoméstico

para evitar danificar o compressor.

- Não coloque qualquer dispositivo como por exemplo, forno microondas, torradeira, etc. que exale calor para o dispositivo.

Colocação de prateleiras/gavetas

Nota: Se a unidade tiver sido armazenada ou movida para a posição vertical, deixe-a ficar direita durante aproximadamente 12 horas antes da operação.

Nota: Antes de utilizar o electrodoméstico pela primeira vez, limpe as prateleiras e o interior com água e sabão.

Nota: Isto é vital para assegurar a drenagem correcta da condensação.

- Coloque um par de guias em ambos os lados do armário à altura desejada.
- Deslize a prateleira/gaveta para o lugar.
- Repita o procedimento para as prateleiras restantes.

Função

Armazenamento de comida

Para obter melhores resultados do seu dispositivo, siga estas instruções:

- Armazene apenas bens alimentares no electrodoméstico quando este tiver atingido a temperatura de funcionamento correcta.
- Certifique-se que as baías do recipiente GN estão sempre cheias, mesmo se os recipientes GN não forem utilizados ou estiverem vazios. Baías vazias ajudarão a reduzir a eficiência do dispositivo.
- Feche sempre a porta, a tampa ou a gaveta quando estas não estiverem a ser utilizadas.
- Não coloque comida quente descoberta ou líquidos dentro do dispositivo.
- Tape ou cubra as comidas sempre que possível.
- Não obstrua as ventoinhas dentro do dispositivo.
- Evite abrir as portas/gavetas durante períodos de tempo prolongados.
- A carga máxima para uma prateleira/gaveta é de 30kg.
- A comida deverá ser colocada no recipiente antes de ser colocada no armário ou na prateleira. A comida não deverá ser colocada directamente no armário de comida.
- Quando for colocada comida húmida/vegetais na Saladette, é normal que surja gelo (tipo neve) na superfície.

Ligar

- Feche a porta/tampa/gaveta do dispositivo.
- Certifique-se que o interruptor está colocado em [O] e ligue-o à tomada.
- Ligue a Potência [I]. A temperatura actual dentro do electrodoméstico é exibida.
- no painel de controlo irá piscar durante 3 min para indicar um atraso entre o compressor do motor a ser parado e reiniciado.

Abrir/fechar a tampa ou a gaveta

AVISO: A tampa de deslize não tem um mecanismo de bloqueio. Certifique-se sempre que a tampa está na posição “meia aberta” antes de abrir.

AVISO: Não retire a gaveta da posição totalmente aberta para evitar lesões.

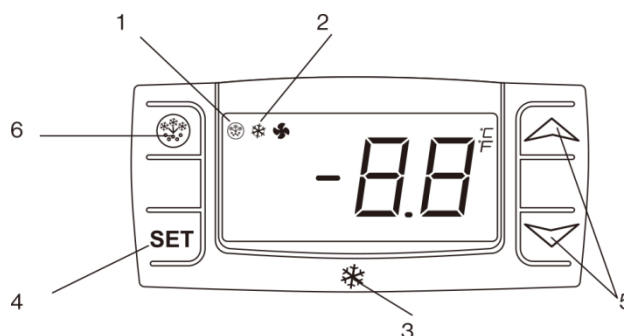
A tampa do GSA tem várias posições:

- Quando a tampa estiver fechada, deslize o painel de volta para a posição meia aberta. Isto permite o acesso parcial aos tabuleiros do recipiente GN.
- Levante a tampa e coloque-a para trás para que a dobradiça encaixe na ranhura de apoio.
- Levante a tampa e coloque-a totalmente para trás para que os tabuleiros do recipiente GN fiquem completamente expostos.

Controlo e configuração de temperatura(DIXELL)

Painel frontal do termóstato

1. Luz de descongelação
2. Luz de operação de compressor
3. Termóstato digital
4. Tecla de programação (Apenas agente de serviço)
5. Teclas de modificação de temperatura
6. Descongelação manual



Como ver o ponto definido

- Prima e liberte imediatamente a tecla **SET**, o ponto de configuração será exibido;
- Prima e deixe de premir de novo o botão **SET** ou espere cerca de 15 segundos para voltar à visualização normal.

Como alterar o ponto definido


- Prima a tecla **SET** durante mais de 2 segundos para alterar o valor do ponto de definição;
- valor do ponto definido será exibido e "°C" começa a piscar;
- Para alterar a temperatura, prima „^" (cima)ou „V" (baixo) dentro de 15 segundos.
- Para memorizar a nova temperatura, prima novamente a tecla **SET** ou aguarde 15 segundos.

Descongelação automática

O aparelho executa automaticamente um ciclo de descongelar.

Nota: O ciclo inicia-se a partir da altura em que o dispositivo é inicialmente ligado.

Para descongelar manualmente o dispositivo:

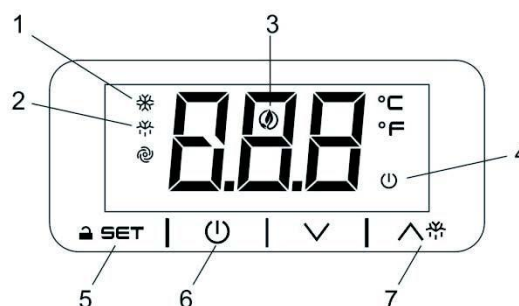
- Prima e mantenha premida a tecla **DEFROST**  durante 5 segundos.
- ciclo de descongelar começa imediatamente e o LED descongelar acende-se..

Nota: Iniciar um descongelamento manual também reinicia o temporizador automático de descongelamento. A descongelação automática seguinte começa após o final do descongelamento manual.

Controle e ajuste de temperatura(EVCO)

Painel frontal do controlador

1. LED de compressor ativo
2. LED de degelo ativo
3. LED de modo econômico ativo
4. LED de Stand-by ativo



5. Tecla de programação (somente agente de manutenção)
6. Equipamento Ligado/Stand-by (Manter pressionado)
7. Degelo manual (Manter pressionado)


Como desbloquear o teclado (»Loc« mensagem)

- Pressione qualquer tecla por mais de 2s, a mensagem «UnL» aparecerá no display e o teclado será desbloqueado.

Nota: por razão de segurança o teclado é bloqueado automaticamente após 30 segundos de inatividade.

Para executar qualquer operação, por favor, desbloqueie o teclado antes.

Como visualizar e modificar o set point

- Pressione e solte rapidamente a tecla **SET**, o set point será mostrado no display e o LED  ficará piscando;
- Para alterar o valor do set point pressione \wedge ou \vee dentro de 20s.
- Para gravar o novo set point pressione a tecla **SET** novamente ou aguarde 20s.

Descongelamento automático

O aparelho executa automaticamente um ciclo de descongelar.


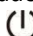
Nota: os ciclos iniciarão no momento em que o equipamento for energizado.

Para iniciar um degelo manual:

- Mantenha pressionada a tecla \wedge  por 3s;
- ciclo de descongelar começa imediatamente e o LED descongelar acende-se.

Nota: Iniciar um descongelamento manual também reinicia o temporizador automático de descongelamento. A descongelação automática seguinte começa após o final do descongelamento manual.

Como ligar ou colocar e equipamento em STAND-BY

- Mantenha pressionada a tecla  por 4s, o equipamento passará do estado ligado para o estado de STAND-BY e vice-versa. Enquanto o botão é pressionado o LED  piscará para mostrar que o estado será alterado.

Limpeza, Manutenção E Cuidado

Manutenção de rotina

Desligue e retire a ficha da tomada antes da limpeza.

- Limpe o interior e o revestimento do electrodoméstico sempre que possível.
- Limpe a unidade com um pano húmido. Nunca deixe que o interruptor, painel de controlo, cabo ou tomada se molhem.
- Não utilize agentes de limpeza agressivos. Estes podem deixar resíduos perigosos. Utilize apenas água com sabão morna.
- Limpe o selo da porta apenas com água.
- Certifique-se que nenhuma água de limpeza penetra nos componentes eléctricos.
- Não deve ser limpo com jacto de água.
- Seque sempre após a limpeza com um pano suave.
- Não deixe que a água utilizada na limpeza corra pelo orifício de drenagem para a panela de evaporação.
- Tenha cuidado ao limpar a traseira do electrodoméstico.

- Um agente ou técnico qualificado deverá realizar as reparações, se necessário.
- Se o electrodoméstico for deixado inactivo durante longos períodos, desligue a ficha da tomada tendo colocado o interruptor para a posição OFF, esvazie o compartimento de refrigeração e limpe adequadamente.

Manutenção especial

As instruções indicadas no parágrafo seguinte são para PESSOAS COM APTIDÕES

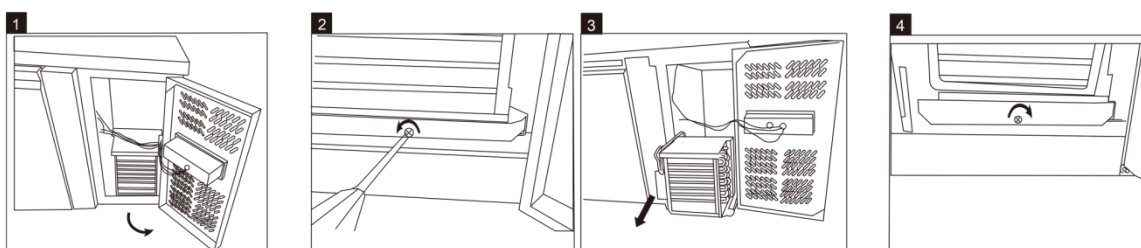
Operações Periódicas

- Limpe periodicamente o condensador utilizando as ferramentas adequadas (aspirador ou escovas suaves).
- Verifique se as ligações eléctricas não estão soltas.
- Verifique se o termóstato e o sensor estão a funcionar correctamente.
- A limpeza periódica do condensador poderá alargar a vida do electrodoméstico.
- Recomendamos que um agente ou técnico qualificado limpe o condensador.
- A chave para o armário deve ser guardada fora do alcance das crianças e utilizadores.
- Utilize a chave apenas para abrir a fechadura.

Marble Care

- Não utilize materiais abrasivos ou detergentes para limpar a bancada de trabalho. Lave com água quente e sabão.
- Não coloque material quente ou congelado na bancada de mármore para evitar quebras.
- Limpe quaisquer derrames o mais rapidamente possível, particularmente líquidos como por exemplo, sumo de limão ou vinagre.
- Recomenda-se a utilização de uma tábua de corte para reduzir o risco de danos na sua bancada de trabalho.
- Após a limpeza seque adequadamente com um pano suave.

Retire A Sala De Máquinas



Acessório Opcional (Não Incluído)

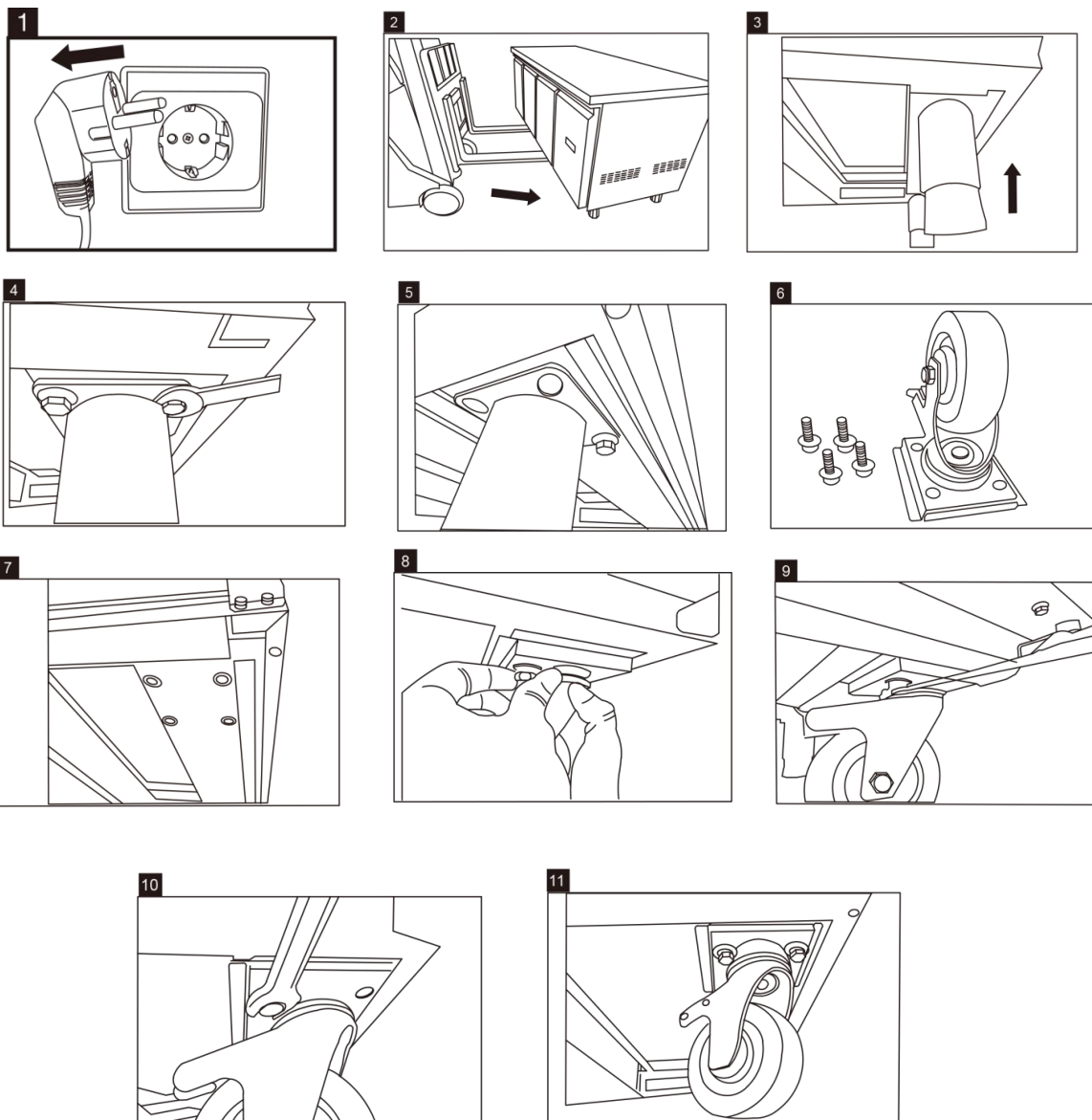
Componente: Quatro peças de Rodas

Posicionamento: Duas rodas com travão a ser fixado na frente inferior e duas rodas sem travão a ser fixadas na traseira inferior. Procedimento: Siga os 8 passos abaixo para alterar os pés das rodas da Saladette.

Cuidado:

- Desligue o dispositivo da tomada principal antes da alteração.

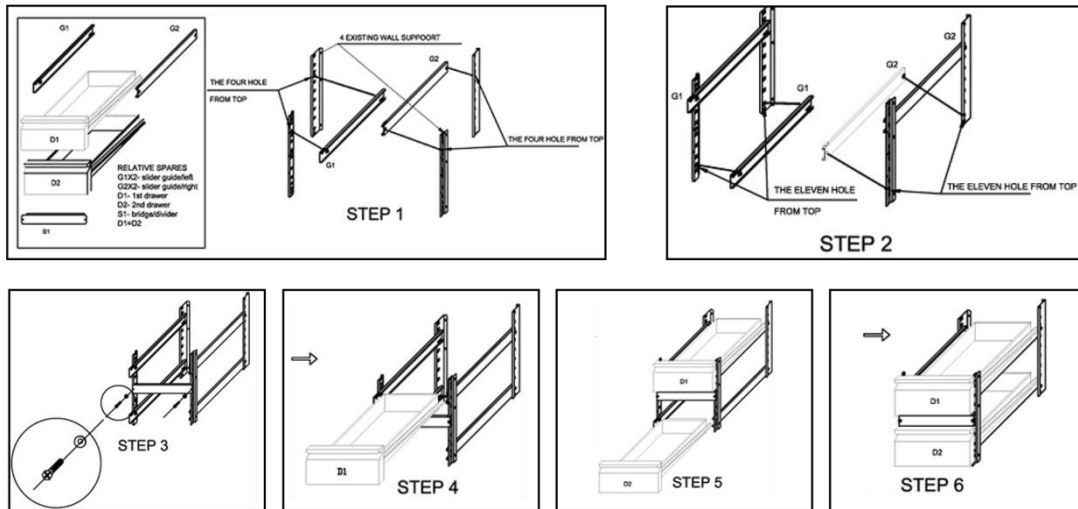
- Segurar o empilhador antes das alterações.
- Segurar todas as gavetas, prateleiras, tampas e portas antes da alteração.
- Esvazie o armário antes da alteração.
- Bloquee o travão na roda após a alteração.



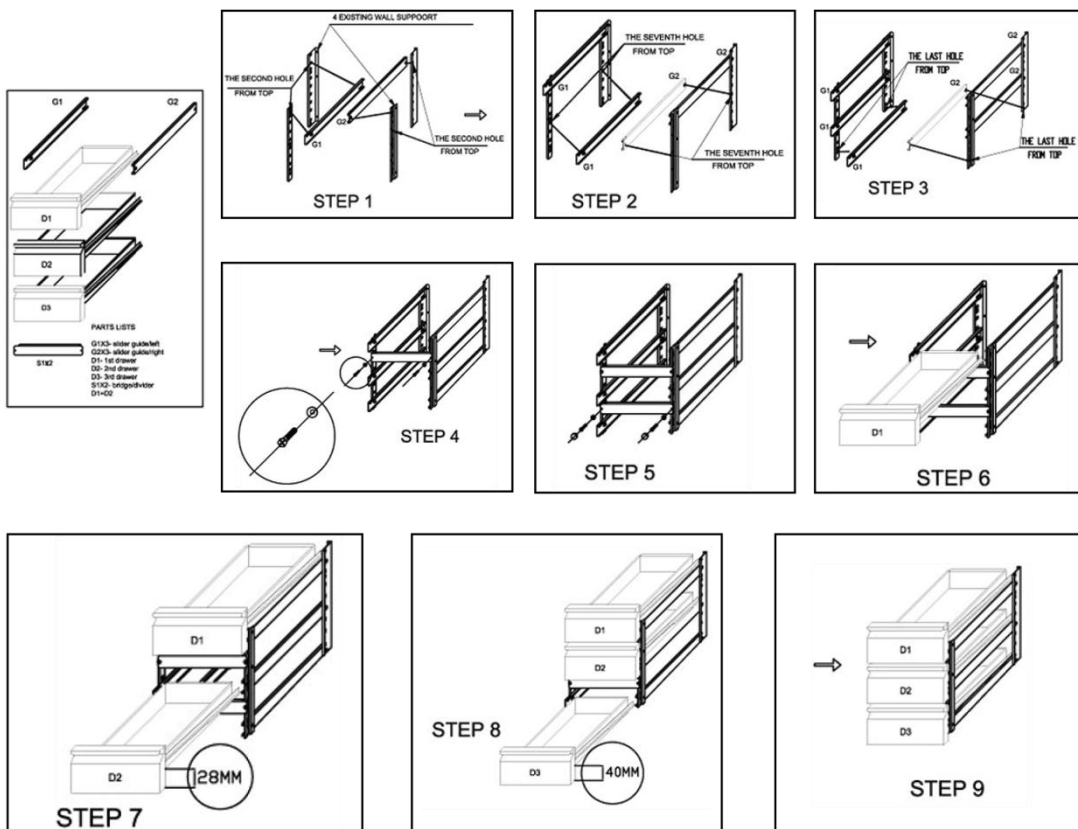
Nota: Se quiser adquirir acessórios opcionais , por favor, fale com o nosso pessoal de vendas para aconselhamento.

Indo De Porta Em Gaveta

Set2 Drawer Assembly Guide



Set3 Drawer Assembly Guide



Dados Técnicos

Por favor, consulte as últimas páginas do manual

Protecção Ambiental



Dispositivos eléctricos eliminados são recicláveis e não devem ser eliminados nos resíduos domésticos! Por favor, apoie activamente a conservação de recursos e a protecção do ambiente devolvendo este dispositivo aos centros de recolha (se disponível).

Modelo	Counter 2 Doors Refrigerator	Counter 3 Doors Refrigerator	Counter 4 Doors Refrigerator
Classe Climática	4	4	4
Refrigerante	R134a	R134a	R134a
Refrigerante carga	For technical details and electrical diagram see label on the back of the product.		
Límite de temp (°C)			
Entrada de potencia indicada			
Freq indicada			
Tensão indicada			
Litros Líquidos			
Peso Líquido			
Foaming Agent	CP/IP	CP/IP	CP/IP

Modelo	Counter 2 Doors Freezer	Counter 3 Doors Freezer	Counter 4 Doors Freezer
Classe Climática	4	4	4
Refrigerante	R404a	R404a	R404a
Refrigerante carga	For technical details and electrical diagram see label on the back of the product.		
Límite de temp (°C)			
Entrada de potencia indicada			
Freq indicada			
Tensão indicada			
Litros Líquidos			
Peso Líquido			
Foaming Agent	CP/IP	CP/IP	CP/IP

Resolução De Prob Lemas.

Se o seu dispositivo tiver uma avaria, por favor, verifique a tabela seguinte.

Erro	Causa Provável	Acção
O dispositivo não funciona.	A unidade não está ligada	Verifique se a unidade está ligada à tomada e ligada
	A tomada e a ligação estão danificadas	Contacte o seu agente ou técnico qualificado.
	O fusível na tomada queimou	Substitua o fusível (Tomada do Reino Unido)
	Alimentação eléctrica	Verifique a alimentação eléctrica.
O dispositivo liga mas a temperatura é muito alta ou muito baixa	Demasiado gelo no evaporador	Descongele o electrodoméstico
	Condensador bloqueado com pó	Contacte o seu agente ou técnico qualificado.
	As portas não fecham correctamente	Verifique se as portas estão fechadas e se os selos não estão danificados
	O dispositivo está localizado perto de uma fonte de calor ou o fluxo de ar para o condensador está a ser interrompido	Coloque o frigorífico num local mais adequado
	Temperatura ambiente muito alta	Aumente a ventilação ou mude o electrodoméstico para um local mais fresco
	Bens alimentares inadequados estão a ser armazenados no frigorífico	Retire quaisquer alimentos quentes em excesso ou bloqueios na ventoinha
	O electrodoméstico está sobrecarregado	Reduza a quantidade de comida no electrodoméstico.
O dispositivo faz um barulho anormalmente alto	Porca/parafuso solto	Verifique e aperte as porcas e os parafusos.
	O electrodoméstico não foi instalado numa posição estável e nivelada	Verifique a posição de instalação e altere se necessário.
O dispositivo verte água	O dispositivo não está bem nivelado	Ajuste os pés aparafusados ao nível do dispositivo (se aplicável)
	A saída de descarga está bloqueada.	Limpe a saída de descarga.
	O movimento da água para a drenagem está obstruído	Limpe o chão do dispositivo (se aplicável)
	O depósito de água está danificado	Contacte o seu agente ou técnico qualificado.
	O tabuleiro de gotas está a derramar	Esvazie o tabuleiro de gotas (se aplicável)

Eliminação

Se o armário não for utilizado e desejar eliminá-lo, retire as portas para evitar que quaisquer crianças fiquem presas no armário. Faça-o de uma forma ambientalmente correcta.

Contacte um técnico de serviço qualificado:

1. Para recuperar todo o refrigerante/Freon
2. Para remover o compressor ou remover o óleo do compressor
3. Para remover os gases de expansão de isolamento inflamável

Depois o distribuidor/revendedor pode contactar o centro de reciclagem de metal mais perto para recolher os restos do armárioprateleiras, etc.

Poderão existir requisitos ou condições especiais. Poderá obter informações sobre a eliminação de electrodomésticos de refrigeração de:

- Fornecedor
- Autoridades governamentais (O conselho local, Ministério do Ambiente, etc.)

Por lei, a eliminação dos resíduos perigosos poderá estar sujeita a multas e prisão de acordo com as cláusulas das regulamentações ambientais.

- refrigerante nesta unidade possui um gás de efeito de estufa fluorado coberto pelo Protocolo de Quioto o qual é perigoso para o ambiente e para o aquecimento global se entrar na atmosfera.
- nome químico do refrigerante R-134a é um gás de efeito de estufa fluorado coberto pelo Protocolo de Quioto e o seu potencial de aquecimento global (GWP) é de 1430.

Eliminação correcta deste produto



Esta marcação indica que este produto não deve ser eliminado juntamente com resíduos domésticos na UE. Para evitar possíveis danos no ambiente ou na saúde humana devido à eliminação de resíduos descontrolada, recicle o dispositivo de forma responsável para promover a reutilização sustentável de recursos materiais. Para devolver o eu dispositivo utilizado, por favor, utilize os sistemas de recolha e devolução ou contacte o revendedor onde o produto foi adquirido. Estes poderão levar o produto para uma reciclagem ambientalmente segura.

Garantia

Para este produto é válida a garantia legal em vigor.

As reclamações devem ser comunicadas imediatamente após a constatação da falha. O direito à garantia extingue-se caso sejam feitas intervenções pelo comprador ou terceiros. Os danos que surjam devido ao tratamento ou operação devido à colocação ou armazenagem errada, ligação ou instalação inadequadas, assim como devido a força maior ou outras influências externas não são abrangidos pela garantia. Recomendamos que leia atentamente o manual de instruções, pois estão aí contidas indicações

comprovado pelo comprador através da apresentação da factura de compra. Indicações:

1. Se o seu produto já não funcionar correctamente, Verifique primeiro se existem outras causas, p. ex., alimentação eléctrica interrompida ou manuseamento errado.
2. Certifique-se de que junta sempre ao seu produto defeituoso a seguinte documentação ou que a tem sempre à mão:
 - Factura de compra

- Designação do aparelho / tipo / marca
 - Descrição do defeito ocorrido com a indicação de falha o mais exacta possível.
- Em caso de direito à garantia ou avarias, queira dirigir-se pessoalmente à nossa loja.

Estimado cliente:

Felicidades por adquirir éste producto. Al igual que todos los productos RWA, éste ha sido desarrollado sobre la base del más reciente conocimiento técnico y producido mediante el uso de confiables y modernos componentes eléctricos/electrónicos.

Tómese unos minutos antes de empezar a usar la máquina y lea las siguientes instrucciones de uso. Muchas gracias.

Tabla De Contenidos

Consejos De Seguridad	58
Instalación	59
Función	60
Limpieza, Cuidado Y Mantenimiento	62
Cómo Deslizar El Motor	63
Accesorio Opcional (No Incluido)	63
Cambiar De Puerta En Cajón	65
Datos Técnicos	66
Resolución De Problemas	67
Eliminación	68
Garantía	68

Consejos De Seguridad



IMPORTANTE: Por su seguridad, lea atentamente el manual antes de instalar o utilizar este product.

Guard este manual para usarlo como referencia en el future.

Posicione el producto en una superficie plana y estable.

Un técnico/agente de servicio debe realizar la instalación y cualquier

reparación que fuese necesaria. No extraiga componentes o paneles de servicio de este producto. Consulte las normas locales y nacionales para cumplir con los siguientes aspectos:

1. Legislación sobre salud y seguridad en el trabajo
2. Precauciones contra incendios
3. Regulaciones de cableado IEE
4. Regulaciones de construcción
5. El aparato no es apto para el uso comercial.
6. NO utilice este aparato en exteriores.
7. NO intente reparar el producto usted mismo.
8. NO utilice este aparato si está dañado. Si tiene dudas, consulte a un agente de servicio.
9. NO utilice dispositivos eléctricos dentro del aparato /calentadores, máquinas para hacer helados, etc.), a menos que sean del tipo recomendado por el fabricante.
10. Mantenga las aberturas de ventilación, en la carcasa del producto o en la estructura integrada, libres de obstrucción.
11. NO utilice dispositivos mecánicos u otros para acelerar el proceso de descongelamiento, aparte de los recomendados por el fabricante.
12. NO dañe el circuito refrigerante.
13. NO se pare ni afirme sobre la base, gavetas o puertas.
14. NO permita que aceite o grasa entre en contacto con los componentes plásticos o sellos de la puerta. Limpie inmediatamente en caso de haber contacto.
15. Esta unidad puede ser utilizada niños a partir de los 8 años en adelante y por personas con facultades físicas, sensoriales o mentales reducidas o con falta de experiencia y conocimiento, siempre que lo hagan bajo supervisión o siguiendo las instrucciones relativas al uso del aparato y que tengan conocimiento de los riesgos que entraña.
16. No permita que los niños jueguen con el producto.
17. Los niños no deben realizar la limpieza y mantenimiento sin supervisión .
18. NO coloque artículos combustibles, explosivos o volátiles ni ácidos corrosivos, álcalis o líquidos en el aparato.
19. NO utilice este aparato para almacenar insumos médicos.
20. NO utilice lavadoras a chorro/presión para limpiar el aparato.
21. NO permita que los niños jueguen con el empaque y destruya las bolsas plásticas de manera segura .
22. Las botellas que contengan un alto porcentaje de alcohol deben estar selladas y colocarse verticalmente en el refrigerado r.
23. Transporte, almacene y manipule siempre el aparato en orientación vertical y muévelo

sosteniendo su base .

24. Apague y desconecte siempre el suministro de alimentación de la unidad antes de limpiarla .
25. Si el cable de alimentación se daña, el fabricante, su agente de servicio o personas igualmente calificadas deben encargarse de la reparación, a fin de evitar peligros.
26. Solo para uso en interiores. No apto para instalarse en una zona donde pudiera utilizarse un chorro de agua. No se debe limpiar con agua a chorro.
27. Para garantizar un funcionamiento seguro, asegúrese de que el aparato esté configurado y conectado según se indica en el manual de instrucciones.
28. Toda reparación o trabajo a realizar en el aparato se debe llevar a cabo únicamente mediante el departamento de servicio al cliente.
29. La llave del gabinete eléctrico se debe mantener alejada del alcance de los niños y usuarios .
30. No almacene sustancias explosivas, tales como latas de aerosol con aplicadores inflamables en este producto .
31. Este manual también puede descargarse desde nuestro sitio Web www.rightwayasia.com

Instalación

- Saque el producto del empaque. Asegúrese de quitar exhaustivamente todas las películas y protecciones plásticas de todas las superficies. Para evitar lesiones o daños al producto, recomendamos que el desempaque y preparación del producto lo realicen dos personas en conjunto.
- Mantenga una distancia de 20 cm (7 pulgadas) entre el aparato y las paredes u otros objetos para así garantizar una Buena ventilación. Aumente la distancia si el obstáculo es una fuente de calor.
- El aparato debe colocarse en un suelo nivelado y sólido para así reducir el ruido y la vibración. Nivele el aparato ajustando el tornillo de las patas.
- La temperatura en el lugar donde se ubique el preservador de alimentos debe estar entre 10 °C y 32 °C (Clase climática 4). Evite la luz solar directa o fuentes de calor tales como un horno o un radiador.
- Asegúrese de que el aparato esté bien ventilado.
- Compruebe que el suministro eléctrico y el voltaje utilizados cumplan con los detalles indicados en la placa de clasificación del producto. El enchufe debe ser accesible tras la instalación.
- Conecte y desconecte correctamente el enchufe. Al insertarlo, asegúrese de que el enchufe esté completamente conectado. Al desconectarlo, hágalo sosteniendo el cuerpo del enchufe. Jamás tire directamente del cable.
- Si el preservador de alimentos se mantendrá apagado durante largos periodos de tiempo, apáguelo y desconecte el enchufe desde el tomacorriente. Limpie el aparato y deje la puerta y tapa abiertas para evitar los olores.
- **Importante Por su propia seguridad personal, este aparato debe conectarse correctamente (a tierra).** Este aparato posee un cable con enchufe de tres puntas con conexión a tierra. El enchufe debe insertarse en un tomacorriente conectado a tierra correctamente. Consulte a un electricista calificado o a un centro de servicio si no comprende del todo las instrucciones de conexión a tierra. Si duda sobre la conexión a tierra del aparato, haga que un electricista calificado revise el circuito para asegurarse de que el tomacorriente está conectado

correctamente a tierra.

- Si el cable no alcanza hasta el tomacorriente más cercano, reordene los artículos del lugar o pídale a un electricista calificado que instale un nuevo tomacorriente.
- Si se corta el suministro eléctrico, espere al menos 3 minutos antes de reiniciar el aparato; a fin de evitar que el compresor se dañe.
- No deje cerca artículos tales como hornos de microondas, tostadores, etc. que generen calor hacia el aparato.

Llene los estantes/gavetas

Nota: Si la unidad no se ha almacenado ni trasladado en posición vertical, déjela reposar recta en posición vertical durante aproximadamente 12 horas antes de usarla.

Nota: Antes de usar el aparato por primera vez, limpie los estantes y el interior con agua jabonosa.

Nota: Esto es vital para garantizar el correcto drenaje de la condensación.

- Deje un par de guías a un costado del gabinete en la altura deseada.
- Deslice la gaveta/estante hacia su posición.
- Repita para los demás estantes.

Función

Almacenaje de alimentos

Para obtener los mejores resultados, siga estas instrucciones:

- Almacene solo alimentos cuando el aparato haya alcanzado la temperatura operativa correcta.
- Asegúrese de que las bahías de los contenedores GN estén siempre llenas, incluso si los contenedores GN están en desuso o vacíos. Las bahías vacías reducen ampliamente la eficiencia del aparato.
- Cierre siempre la puerta, tapa o gaveta cuando no esté en uso.
- No deje alimentos calientes o líquidos sin cubrir dentro del aparato.
- Envuelva o cubra los alimentos de ser posible.
- No obstruya los ventiladores internos del aparato.
- Evite abrir las puertas/gavetas durante periodos de tiempo prolongados.
- La carga máxima de un estante/gaveta es 30 Kg.
- Los alimentos deben colocarse en contenedores antes de ponerlos en el gabinete o en el estante. Los alimentos no deben colocarse directamente sobre el gabinete.
- Al dejar alimentos/vegetales mojados en el preservador de alimentos, es normal que aparezca hielo (nieve) en la superficie.

Encendido

- Cierre la puerta/tapa/gaveta del aparato.
- Asegúrese de que el interruptor esté en la posición [O] y que esté conectado a la toma de corriente.
- Encienda el aparato [I]. Se indica la temperatura actual dentro del aparato.
- La en el panel de control parpadeará durante 3 minutos para indicar un retraso entre el encendido y reinicio del compresor.

Abra/cierre la tapa o gaveta

ADVERTENCIA: La tapa deslizable no posee un mecanismo de bloqueo. Asegúrese siempre de que la

tapa esté en la posición «medio abierta» antes de abrir.

ADVERTENCIA: No tire la gaveta hacia su posición completamente abierta para así evitar daños.

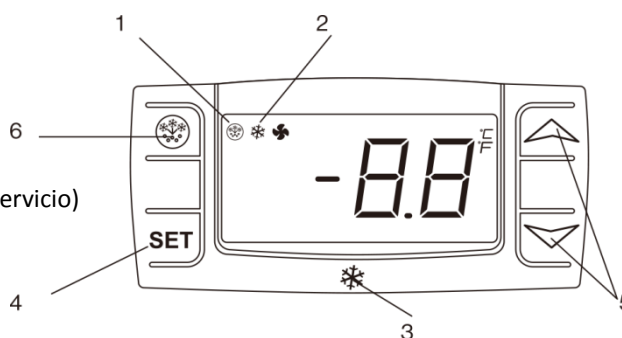
La tapa del GSA es multi posición:

- Con la tapa cerrada, deslice el panel hacia la posición medio abierta. Esto permite el acceso parcial a las bandejas contenedoras GN.
- Levante la tapa y luego hacia atrás de manera tal que las bisagras se asienten en la ranura de soporte.
- Levante la tapa y luego completamente hacia atrás de manera tal que las bandejas contenedoras GN queden completamente expuestas

Ajuste de la temperatura y control(DIXELL)

Panel frontal del termostato

1. Luz descongelante
2. Luz de funcionamiento del compresor
3. Termostato digital
4. Tecla de programación (solo agente de servicio)
5. Teclas de modificación de temperatura
6. Descongelamiento manual



Cómo ver el punto de ajuste

- Presione y suelte inmediatamente la tecla **SET**, aparecerá el punto establecido;
- Presionar un momento el botón **SET** de nuevo y esperar unos 15 segundos para volver a la visualización normal.

Cómo cambiar el punto de ajuste


- Presione la tecla **SET** durante más de 2 segundos para cambiar el valor del punto de ajuste;
- El valor del punto de ajuste aparecerá y “°C” comenzará a parpadear.
- Para modificar el valor de temperatura pulsar las flechas „^” (arriba) o „v” (abajo) antes de 15 segundos.
- Para guardar el nuevo valor, pulsar o bien la tecla **SET** o esperar 15 segundos

Defrost automático

El aparato llevará a cabo un deshielo automático.

Nota: El ciclo comienza a contar del momento en que se enciende inicialmente el aparato.

Para descongelar manualmente el aparato:

- Mantenga presionado el botón **DEFROST**  durante 5 segundos.
- El proceso de deshielo empieza y el indicador LED se enciende.

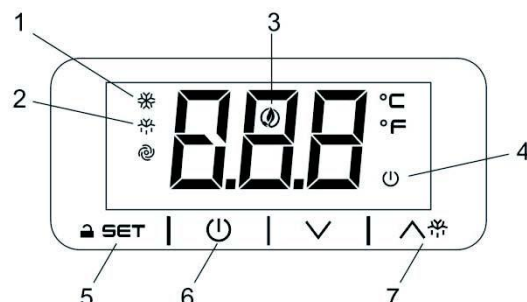
Nota: empezar un defrost manual significa también resetar el temporizador de defrost automático.

El próximo defrost automático empezará después que el defrost automático haya terminado.

Ajuste e control de temperatura(EVCO)

Panel frontal del termostato

1. Luz de compresor activo
2. Luz deshielo activo
3. Luz ahorro energético activo
4. Luz de stand-by
5. Tecla de programación (mantenimiento)



solamente)

6. Equipo ON (encendido)/Stand-by (mantener presionado)
7. Deshielo manual (mantener presionado)

Desbloquear el teclado (mensaje «Loc»)

- Presionando cualquier botón durante más de 2", aparecerá el mensaje «UnL» y se desbloqueará el teclado.

Nota: por motivos de seguridad, el teclado se bloquea automáticamente después de 30" de inactividad de las teclas. Para ejecutar cualquier operación, primero desbloquear el teclado.

Visualizar y modificar el set point

- Presionar brevemente la tecla **SET**, se visualizará el set point y empezará a parpadear
- Para modificar el valor, presionar la flecha \wedge o \vee dentro de 20"
- Para memorizar el nuevo set point, presionar nuevamente la tecla **SET** o aguardar 20".

Defrost automático

El aparato llevará a cabo un deshielo automático.



Nota: el ciclo empieza desde el encendido inicial del equipo

Para efectuar el deshielo manual:

- Mantener presionada la tecla \wedge  a por 3".
- El proceso de deshielo empieza y el indicador LED se enciende.

Nota: empezar un defrost manual significa también resetear el temporizador de defrost automático. El próximo defrost automático empezará después que el defrost automático haya terminado.

Cambia el estado del equipo entre ON (encendido)/STAND-BY

- Mantener presionada la tecla  durante 4"; el equipo pasará desde el estado ON (encendido) para STAND-BY y vice-versa. Al mantener presionada la tecla, el LED  estará parpadeando para visualizar el cambio de estado.

Limpieza, Cuidado Y Mantenimiento

Mantenimiento de rutina

Apague y desconecte el aparato de la energía antes de limpiarlo.

- Limpie el exterior e interior del aparato lo más regularmente que le sea posible.
- Limpie la unidad utilizando un paño húmedo. Jamás permita que el interruptor, panel de control, cable o enchufe se mojen.
- No utilice agentes de limpieza abrasivos. Estos pueden dejar residuos dañinos. Utilice solo agua jabonosa suave.
- Limpie el sello de la puerta utilizando solo agua.
- Durante la limpieza, asegúrese de que no ingrese agua a los componentes eléctricos.
- No se debe limpiar con agua a chorro.
- Después de limpiar, siempre seque utilizando un paño suave.
- No permita que el agua utilizada para limpieza pase por el orificio de drenaje hacia la bandeja de evaporación.
- Tenga cuidado al limpiar la parte posterior del aparato.
- Un agente o técnico calificado debe realizar los trabajos de reparación en caso de que sean

necesarios.

- Si el aparato se dejará inactivo durante largos periodos de tiempo, apáguelo, desconéctelo de la energía, vacíe el compartimiento refrigerante y límpielo exhaustivamente.

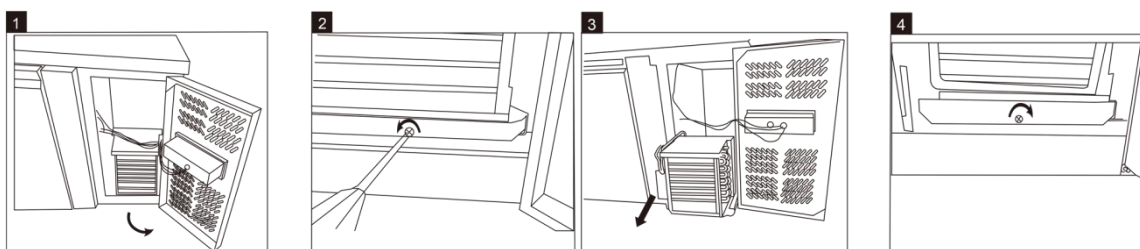
Mantenimiento especial

Las instrucciones indicadas en el siguiente párrafo son para PERSONAS CON LAS HABILIDADES ADECUADAS

Operaciones periódicas

- Limpie regularmente el condensador utilizando las herramientas adecuadas (aspiradora o cepillos suaves).
- Verifique que las conexiones eléctricas no estén sueltas.
- Verifique que el termostato y el sensor estén funcionando correctamente.
- Limpiar el condensador periódicamente puede extender la vida útil del aparato.
- Recomendamos que un agente o técnico calificado limpie el condensador.
- La llave del gabinete eléctrico se debe mantener alejada del alcance de los niños y usuarios.
- Utilice la llave solo para abrir el cerrojo.
- **Cuidado del mármol**
- No utilice materiales abrasivos o detergentes para limpiar la superficie de trabajo. Enjuague con agua jabonosa tibia.
- No deje materiales calientes o congelados sobre la cubierta de mármol para así evitar quiebres.
- Limpie cualquier derrame lo antes posible, particularmente para líquidos tales como jugo de limón o vinagre.
- Se recomienda el uso de una tabla para picar a fin de reducir el riesgo de daños a su superficie de trabajo.
- Seque exhaustivamente con un paño suave tras la limpieza.

Cómo Deslizar El Motor



Accesorio Opcional (No Incluido)

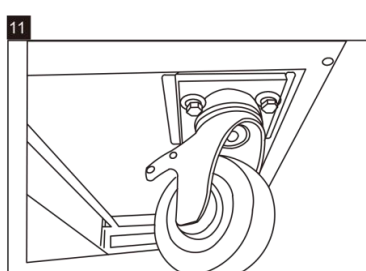
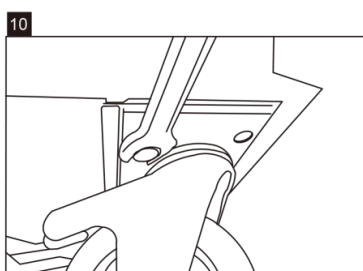
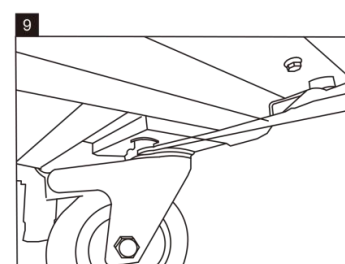
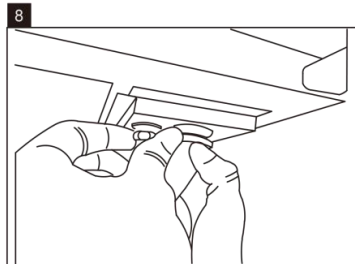
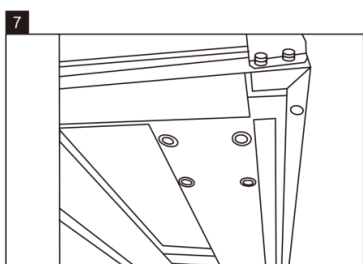
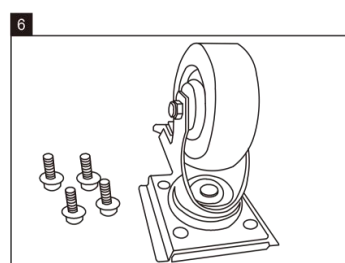
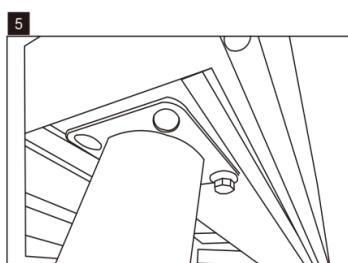
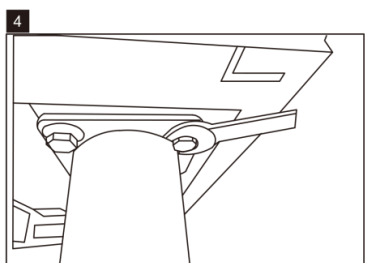
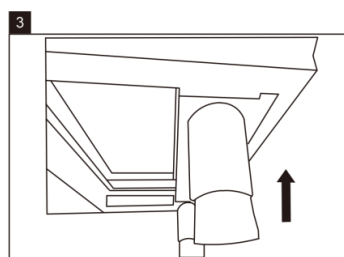
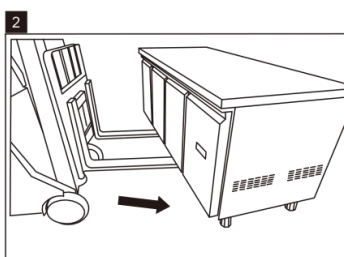
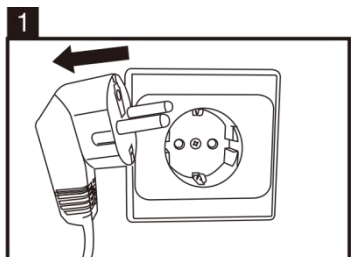
Componente: Cuatro piezas de ruedecillas

Posicionamiento: Dos ruedecillas con seguros para la parte interior frontal y dos ruedecillas sin seguros para la parte inferior posterior.

Procedimiento: Siga los 8 pasos siguientes para cambiar las patas del preservador de alimentos por ruedecillas.

Precaución:

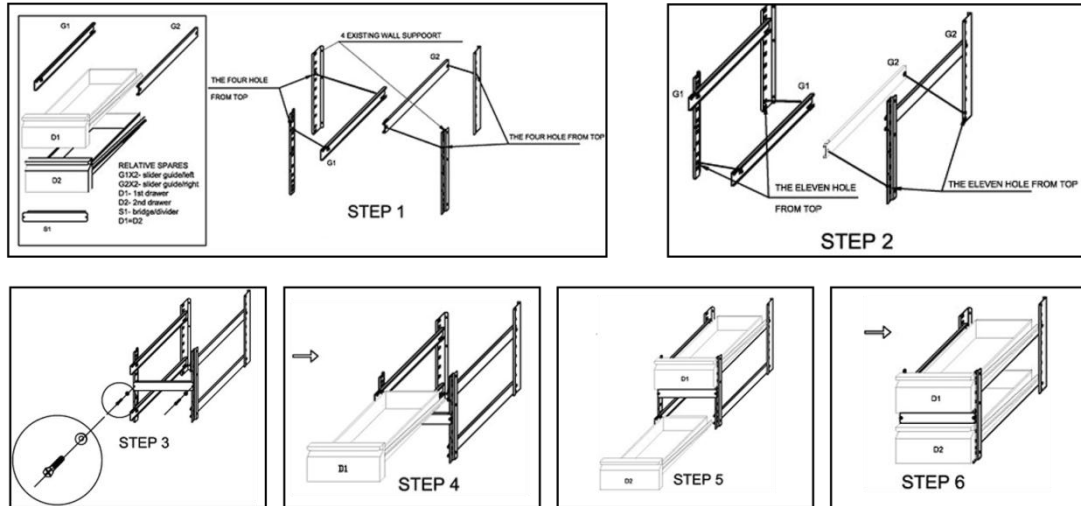
- Desenchufe el aparato de la toma de corriente antes de realizar el cambio.
- Asegure la gata antes de realizar el cambio.
- Asegure todas las gavetas, estantes, tapas y puertas antes de realizar el cambio.
- Vacíe el gabinete antes de realizar el cambio.
- Fije el seguro de la ruedecilla después de realizar el cambio.



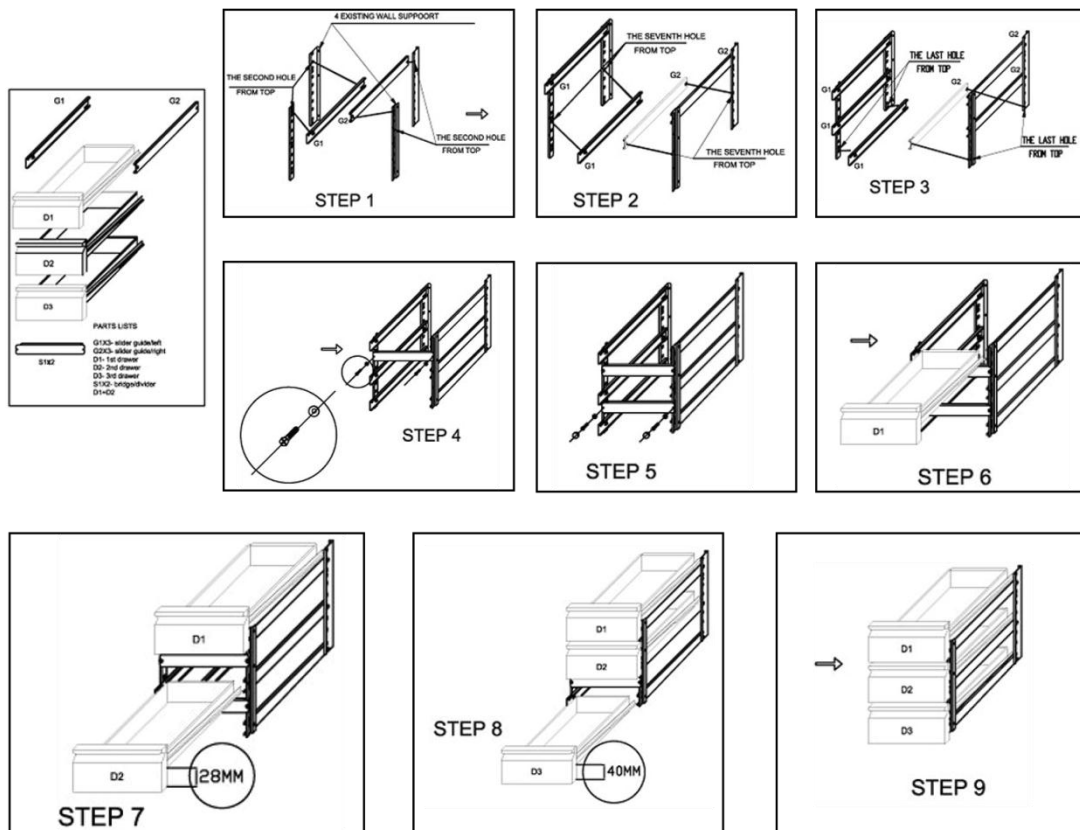
Nota: Si tiene planeado adquirir accesorios opcionales , consulte a nuestro personal de ventas.

Cambiar De Puerta En Cajón

Set2 Drawer Assembly Guide



Set3 Drawer Assembly Guide



Datos Técnicos

Por favor, compruebe las nota a final del manual

Protección medioambiental



Los aparatos eléctricos desechados son reciclables y no deben desecharse junto con la basura doméstica. Apóyenos activamente a conservar los recursos y proteger el medioambiente, devolviendo este aparato a los centros de recolección (en caso de haberlos).

Modelo	Counter 2 Doors Refrigerator	Counter 3 Doors Refrigerator	Counter 4 Doors Refrigerator
Clase Climática	4	4	4
Refrigerante	R134a	R134a	R134a
Carga de refrigerante	For technical details and electrical diagram see label on the back of the product.		
Rango de temp (°C)			
Tensión nominal			
Frec.nominal			
Potencia nominal			
Litros netos			
Peso neto			
Agente espumante	CP/IP	CP/IP	CP/IP

Modelo	Counter 2 Doors Freezer	Counter 3 Doors Freezer	Counter 4 Doors Freezer
Clase Climática	4	4	4
Refrigerante	R404a	R404a	R404a
Carga de refrigerante	For technical details and electrical diagram see label on the back of the product.		
Rango de temp (°C)			
Tensión nominal			
Frec.nominal			
Potencia nominal			
Litros netos			
Peso neto			
Agente espumante	CP/IP	CP/IP	CP/IP

Resolución De Problemas

Si su aparato desarrolla una falla, revise la siguiente tabla.

Problema	Causa probable	Acción
El aparato no funciona	La unidad no está encendida	Compruebe que la unidad esté conectada correctamente y encendida
	El enchufe y guía están dañados	Llame a su agente o técnico calificado
	El fusible del enchufe se quemó	Cambie el fusible (enchufe del Reino Unido)
	Suministro de energía	Compruebe el suministro de alimentación
El aparato se enciende, pero la temperatura es demasiado alta/baja	Demasiado hielo en el evaporador	Descongele el aparato
	El condensador está bloqueado con polvo	Llame a su agente o técnico calificado
	Las puertas no están cerradas adecuadamente	Compruebe que las puertas estén cerrada y que los sellos no estén dañados
	El aparato se encuentra cerca de una fuente de calor o el flujo de aire hacia el condensador está interrumpido	Mueva el refrigerador hacia una ubicación más adecuada
	La temperatura ambiente es demasiado alta	Aumente la ventilación o mueva el aparato hacia un lugar más frío
	Está almacenando alimentos inapropiados dentro del aparato	Saque el exceso de alimentos o bloques del ventilador
	El aparato está sobrecargado	Reduzca la cantidad de alimentos almacenados dentro del aparato
El aparato está inusualmente ruidoso	Tuerca/tornillo sueltos	Compruebe y apriete todos los tornillos y tuercas
	El aparato no se ha instalado en una posición estable o nivelada	Compruebe la posición de la instalación y cámbiela de ser necesario
El aparato tiene fugas de agua	El aparato no está nivelado correctamente	Ajuste la pata tornillo para nivelar el aparato (si aplica)
	La salida de descarga está obstruida	Despeje la salida de descarga
	El movimiento del agua hacia el drenaje está obstruido	Limpie el piso del aparato (si aplica)
	El contenedor de agua está dañado	Llame a su agente o técnico calificado
	La bandeja escurridora se rebasa	Vacíe la bandeja escurridora (si aplica)

Eliminación

Si el gabinete ya no se utilizará más y desea deshacerse del mismo, sáquelo hacia el exterior para evitar que los niños quede atrapados en su interior accidentalmente. Deseche el aparato de manera adecuada para el medioambiente.

Contacte a un técnico de servicio calificado:

1. Para recuperar todo el refrigerante / freón
2. Para sacar el compresor o el aceite del compresor
3. Para sacar los gases de aislamiento inflamables

Luego, el distribuidor/representante de ventas puede contactar a su centro de reciclaje local para recoger el gabinete, estantes, etc.

Podría haber requisitos o condiciones especiales. Puede obtener información sobre la eliminación de aparatos de refrigeración mediante:

- Su proveedor
- Autoridades gubernamentales (concejo local, ministerio del medioambiente, etc.).

Por ley, la eliminación de desechos peligrosos puede estar sujeta a multas y penas de cárcel bajo las indicaciones de las regulaciones medioambientales.

- El refrigerante de esta unidad es un gas de invernadero fluorado cubierto por el Protocolo de Kioto y es peligroso para el medioambiente y para el calentamiento global en caso de ingresar a la atmósfera.
- El nombre químico del refrigerante es R-134a, que es un gas de invernadero fluorado cubierto por el Protocolo de Kioto, y posee un potencial de calentamiento global (GWP) de 1430.

Eliminación adecuada de este producto



Esta marca indica que el producto no debe eliminarse con la basura doméstica común en la UE. Para evitar posibles daños al ambiente o a la salud de las personas debidos a una eliminación de desechos sin control, recicle el producto responsablemente y promueva la reutilización sostenible de los recursos materiales. Para devolver su dispositivo usado, utilice los sistemas de recolección y devolución, o bien contacte a la tienda donde adquirió el producto. Pueden encargarse del reciclaje seguro del producto.

Garantía

Para este producto rige la garantía legal.

Las reclamaciones se deberán efectuar inmediatamente después de constatadas. El derecho a reclamación se extingue si el comprador o un tercero manipulan el aparato. Los daños resultantes de una manipulación o utilización inapropiada, por colocación o almacenamiento erróneo, por conexión o instalación inadecuada, o por causa defuerza mayor u otras influencias externas, no quedan incluidos en la garantía. Recomendamos leer atentamente el Manual del Usuario, pues el mismo contiene importantes indicaciones.

El comprador deberá justificar su derecho a garantía presentando la factura de compra.

Advertencias :

1. Si su producto ya no funciona correctamente, entonces verifique primeramente todos los motivos posibles, como por ejemplo la interrupción de corriente o manipulación errónea.
2. Procure que su producto defectuoso vaya acompañado de los siguientes documentos

correspondientes a cada caso:

- Factura de compra (imprescindible para ejecutar garantía)
- Designación / tipo / marca del aparato
- Descripción de la avería que haya tenido lugar, con indicación lo más detallada posible.

En caso de reclamación por garantía o averías, por favor diríjase personalmente a su distribuidor.

Gentile Cliente,

Grazie per aver acquistato questo prodotto . Come tutti i prodotti , questo dispositivo è stato sviluppato secondo le tecnologie più recenti ed è stato prodotto utilizzando componenti elettrici affidabili e moderni.

Prima di utilizzare il dispositivo leggere attentamente il presente manuale.

Grazie.

Indice

Avvertenze Di Sicurezza	72
Installatione	73
Funzionamento	74
Funzionamento(EVCO)	75
Pulizia / Cura E Manutenzione.....	76
Come Estrarre Il Pannello Motore	77
Accessorio Opzionale (Non Compreso nella confezione)	77
Come Cambiare Da Porta A Cassetti	79
Dati Tecnici.....	80
Risoluzione Di Problemi	81
Smaltimento	81
Garanzia	82

Avvertenze Di Sicurezza



IMPORTANTE: Leggere attentamente le istruzioni per la vostra sicurezza prima di mettere in funzione il dispositivo. Conservare le istruzioni per una futura consultazione.

Posizionare l'apparecchio su una superficie piana e stabile.

Il montaggio e gli eventuali lavori di riparazione devono essere eseguiti dal servizio assistenza o da personale qualificato. Non manomettere gli elementi di comando e/o altri componenti.

Il dispositivo deve rispettare le normative nazionali nei seguenti punti:

1. Standard relativi alla salute e alla sicurezza del luogo di lavoro.
2. Normative sulla protezione incendi.
3. Normative IEE per i cavi elettrici.
4. Regolamento edilizio.
5. Questo dispositivo è stato concepito per esclusivo uso commerciale.
6. Non utilizzare mai l'apparecchio in ambiente aperto
7. Non eseguire MAI di propria iniziativa lavori di manutenzione sul dispositivo.
8. NON utilizzare l'apparecchio se guasto. In caso di dubbi contattare il servizio assistenza.
9. Non utilizzare dispositivi elettrici all'interno dell'apparecchio (ad es. radiatori, macchine per gelato, ecc.) a meno che siano della tipologia raccomandata dal produttore.
10. Assicurarsi che le feritoie di ventilazione non siano bloccate e/o ostruite.
11. Non cercare per nessun motivo di accelerare il processo di scongelamento con mezzi diversi da quelli raccomandati dal produttore.
12. Non danneggiare il circuito di raffreddamento dell'apparecchio.
13. NON mettersi sul dispositivo, mobile o porte del dispositivo e NON tenersi fermi.
14. Evitare il contatto dei componenti plastici e delle guarnizioni con sostanze oleose e/o grasse. Pulire immediatamente in caso di contatto.
15. Questo dispositivo non deve essere messo in funzione da persone con ridotte capacità d'intendere e di volere, da persone con poca
16. I bambini devono essere controllati e non devono giocare con il
17. La pulizia e la manutenzione non deve essere eseguita da bambini senza supervisione.
18. Non inserire nel dispositivo combustibili o sostanze esplosive o volatili, acidi corrosivi o sostanze basiche, o altri liquidi.
19. Non conservare per nessun motivo nel dispositivo sostanze mediche.
20. Non pulire mai l'apparecchio con pulitore ad aria compressa.
21. I bambini non devono giocare con il materiale d'imballaggio. Smaltire la plastica secondo le norme.
22. Le bottiglie con alta percentuale di alcool devono essere chiuse bene e posizionate in posizione verticale.
23. Trasportare e stoccare l'apparecchio sempre in posizione verticale e movimentare sempre dalla base.
24. Prima di pulire il dispositivo, spegnerlo e scollegare la spina.
25. In caso di guasto del cavo elettrico, questo deve essere sostituito solo da produttore, dal servizio assistenza autorizzato o da un tecnico qualificato. Il dispositivo.

26. L'apparecchio è previsto unicamente per utilizzo in casa. Non deve essere posizionato nelle vicinanze di acqua e per nessun motivo deve essere pulito con pulitori ad aria compressa.
27. Per garantire un corretto funzionamento del dispositivo, questo deve essere montato e collegato come descritto nelle istruzioni.
28. Lavori di riparazione e manutenzione devono essere eseguiti solo dal servizio assistenza o personale qualificato.
29. L'accesso all'unità di refrigerazione deve essere tenuta chiusa e la chiave lontana dai bambini.
30. All'interno di questo dispositivo non è contenuto nessun materiale esplosivo come, ad esempio, recipienti di aerosol con gas propellente. Esperienza e conoscenze, nonché da minorenni, questi devono essere controllati da persone con esperienza e persone responsabili della loro sicurezza.
31. Il presente manuale può essere trovato sul nostro sito web: www.rightwayasia.com

Installazione

- Rimuovere l'imballaggio dall'apparecchio. Far attenzione a rimuovere la pellicola in plastica e quella protettiva da tutte le superfici. Per evitare lesioni e guasti al dispositivo, il dispositivo deve essere montato e rimosso dall'imballaggio da due persone.
- Far attenzione che il dispositivo sia a distanza di 20 cm dalla parete o altri dispositivi al fine di garantire il sufficiente passaggio di aria. aumentare la distanza di sicurezza se l'oggetto limite è una fonte di calore.
- Livellare il dispositivo a terra regolando i piedini. Per evitare vibrazioni e rumori l'apparecchio deve essere posizionato su una superficie piana, stabile o su una base speciale.
- Il dispositivo dovrebbe essere collocato in un luogo in cui la temperatura sia compresa tra i 10°C e i 32°C (classificazione climi: 4). Il dispositivo non deve essere posizionato sotto la luce diretta del sole o vicino a fonti di calore (come forni o radiatori).
- Far attenzione che la ventilazione del dispositivo funzioni adeguatamente.
- Assicurarsi che la tensione nominale corrisponda a quanto indicato nella targhetta apposta sull'apparecchio. Dopo l'installazione la presa deve essere facilmente accessibile.
- Inserire e disinserire la spina. La spina deve essere correttamente inserita nella presa. Non tirare mai il cavo per estrarre la spina dalla presa.
- Se il dispositivo non viene utilizzato per lungo tempo, spegnerlo e scollegare la spina. Pulire e mantenere aperte le ante al fine di prevenire odori sgradevoli.
- **Importante! Per la vostra sicurezza far attenzione che il dispositivo sia correttamente installato!** Il cavo elettrico è dotato di una filo di messa a terra e una presa Schuko. Inserire la spina in una presa di corrente installata secondo la norma. Contattare un elettricista qualificato e il servizio assistenza per spiegazioni corrette sulla messa a terra. In caso di dubbi sulla messa a terra del dispositivo, far controllare il circuito di corrente da un elettricista qualificato.
- Se il dispositivo non riesce a raggiungere la presa di corrente più vicina, modificare il luogo di posizionamento o fare installare una presa nelle vicinanze del dispositivo da un elettricista.
- In caso di interruzione di corrente attendere almeno 3 minuti prima che di riaccendere nuovamente il dispositivo, per evitare danni al compressore.
- Non collocare nessun dispositivo soggetto a riscaldamento come ad esempio forno microonde o tostapane, sull'apparato.

Montaggio

Nota: Se il dispositivo non è posizionato correttamente o trasportato in posizione verticale, prima della messa in funzione lasciarlo in posizione verticale per ca. 12 ore.

Nota: Alla prima messa in funzione pulire le mensole e l'interno del dispositivo con acqua saponata.

Nota: Questo è determinante per un completo drenaggio della condensa.

- Montare le guide all'altezza desiderata ai due lati interni del dispositivo.
- Inserire all'interno le mensole.
- Ripetere la procedura per le mensole restanti.

Funzionamento

Conservazione di alimenti

Rispettare le seguenti norme per ottenere il risultato migliore:

- Inserire nell'apparecchio gli alimenti solo quando il dispositivo ha raggiunto la temperatura di esercizio prevista.
- Il contenitore GN deve trovarsi sempre nell'apposito vano, anche quando il contenitore non viene utilizzato. Rimuovendo il contenitore GN si riduce di molto l'efficienza del dispositivo.
- Controllare che le porte, i cassetti e i coperchi siano sempre chiusi.
- Non mettere mai liquidi non coperti e caldi nel dispositivo.
- Gli alimenti devono essere sempre ben sigillati e coperti.
- I ventilatori all'interno del dispositivo non devono essere ostruiti.
- Le porte/cassetti del dispositivo non possono rimanere aperte per lunghi periodi di tempo.
- Il limite previsto per il carico massimo di uno scaffale/cassetto è 30 kg.
- Gli alimenti devono essere inseriti in un contenitore prima di essere posizionati all'interno del dispositivo. Gli alimenti non devono essere posizionati a diretto contatto con le superfici del dispositivo.
- Durante il riempimento con verdure o alimenti freschi è normale la formazione di gelo sulla superficie della vetrina.

Accensione del dispositivo

- Chiudere le porte/cassetti dell'apparecchio.
- L'interruttore di rete deve essere in posizione [**O**]. Inserire la spina di rete in una presa idonea.
- Regolare l'interruttore di rete in posizione [**I**]. La temperatura presente all'interno viene visualizzata.
- Sul campo comandi lampeggia il simbolo per i minuti per il ritardo tra la tenuta del compressore e un nuovo avvio.

Aprire / Chiudere coperchi/cassetti

AVVERTENZA: Il coperchio scorrevole non è dotato di un meccanismo di chiusura. Il coperchio deve essere sempre in posizione "intermedia" prima di aprire completamente il coperchio.

AVVERTENZA: la preghiamo di non esercitare pressione sui cassetti per evitare possibili incidenti.

Il coperchio della saladette GSA è a più posizioni:

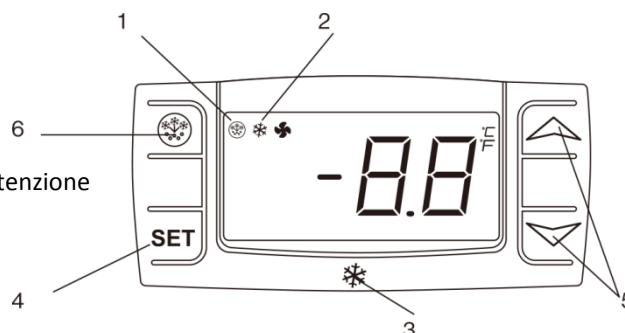
- Con il coperchio chiuso far scivolare il pannello nella posizione "intermedia". In tal modo vi è parziale accesso ai contenitori GN.
- Aprire e chiudere il coperchio fino al corretto posizionamento.

- Alzare e spostare completamente il coperchio all'indietro affinché i contenitori GN non siano completamente accessibili.

Regolazione e controllo della temperatura(DIXELL)

Pannello frontale del termostato

1. Spia di scongelamento
2. Spia di esercizio del compressore
3. Tasti di programmazione (solo per la manutenzione del dispositivo)
4. Tasti per la regolazione della temperatura
5. Scongelamento manuale



Letture della temperatura

- Premere una volta il tasto di **SET**. Viene visualizzata la temperatura.
- Premere il tasto di **SET** nuovamente o attendere 15 secondi per ritornare alla visualizzazione normale.

Modifica della temperatura

- Tenere premuto il tasto di **SET** per più di due secondi per impostare un nuovo valore.
- Il valore della temperatura viene visualizzato e „°C“ inizia a lampeggiare.
- Per modificare il valore della temperatura premere i tasti freccia „^“ (su) o „v“ (giù) entro 15 secondi.
- Per memorizzare il nuovo valore della temperatura, premere il tasto di **SET** o attendere 15 secondi.

Sbrinamento automatico

L'apparecchio esegue automaticamente un ciclo di sbrinamento.

Nota: Il timer di scongelamento si avvia con la prima messa in funzione del dispositivo.

Per lo scongelamento manuale procedere come segue:

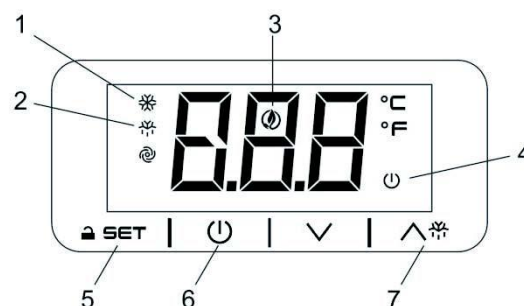
- Tener premuto il tasto **SCONGELAMENTO** per 5 secondi.
- Il processo di scongelamento ha inizio immediatamente e il LED di scongelamento si accende.

Nota: In caso di scongelamento manuale il timer di scongelamento si azzerava automaticamente.

Funzionamento(EVCO)

Il pannello anteriore del termostato

1. Spia di funzionamento del compressore
2. Spia di sbrinamento
3. Spia di risparmio energetico
4. Spia di stand-by
5. Tasto di programmazione (solo per l'addetto all'assistenza)
6. Macchina accesa / Stand-by (tenere premuto)
7. Sbrinamento manuale (tenere premuto)



Come sbloccare la tastiera (messaggio “Loc”)

- Premere un tasto qualsiasi per più di 2 secondi, viene visualizzato il messaggio «UnL» e la tastiera verrà sbloccata.

Nota: per motivi di sicurezza, la tastiera si blocca automaticamente dopo 30 secondi di inattività dei tasti. Per eseguire qualsiasi operazione, si prega di sbloccare prima la tastiera.

Come vedere e modificare il set point


- Premere e rilasciare immediatamente il tasto **SET**, viene mostrato il set point che inizia a lampeggiare;
- Per modificare il valore impostato premere le frecce \wedge o \vee entro 20 secondi.
- Per memorizzare il nuovo set point, premere di nuovo il tasto o **SET** attendere 20 secondi.

Sbrinamento automatico

L'apparecchio esegue automaticamente un ciclo di sbrinamento.



Nota : Il ciclo inizia dal momento in cui il dispositivo viene acceso inizialmente.

Per sbrinare manualmente l'apparecchio:

- Tenere premuto il tasto DEFROST \wedge  per 3 secondi;
- Il ciclo di sbrinamento si avvia immediatamente e il LED si accende. Lo sbrinamento durerà 20 minuti.

Nota: l'avvio di uno sbrinamento manuale azzerà anche il timer di sbrinamento automatico. Il prossimo sbrinamento automatico inizierà 12 ore dopo il termine dello sbrinamento manuale.

Come far passare la macchina dallo stato ON a STAND-BY

- Tenere premuto il tasto  per 4 secondi, la macchina passa dallo stato ON a STAND-BY e viceversa. Mentre il tasto è premuto il led  lampeggia per mostrare il cambio di stato

Pulizia / Cura E Manutenzione

Manutenzione ordinaria

Spegnere il dispositivo prima della pulizia e scollegare la spina.

- Pulire il dispositivo e l'interno del dispositivo quanto più spesso possibile.
- Lavare il dispositivo con un panno morbido. Far attenzione a non bagnare l'interruttore, il campo comandi, il cavo e la spina di rete.
- Per pulire non utilizzare un detersivo aggressivo. Questi potrebbero lasciare dei residui nocivi. Utilizzare solo acqua con sapone delicato.
- Pulire le guarnizioni solo con acqua.
- Far attenzione che l'acqua non finisca mai sui componenti elettrici.
- Non pulire mai il dispositivo con acqua corrente.
- Dopo il lavaggio asciugare il dispositivo con un panno morbido.
- Far attenzione che l'acqua non finisca nell'apertura di scolo nella vaschetta di evaporazione.
- Lavare attentamente la parte posteriore dell'apparecchio.
- Eventuali riparazioni devono essere eseguite dal servizio assistenza o da personale qualificato.
- Se il dispositivo non viene utilizzato per lungo tempo, regolare l'interruttore di potenza su OFF e scollegare la spina di rete. Svuotare tutti i vani e pulire bene il dispositivo.

Manutenzione speciale

Le seguenti avvertenze sono indirizzate al personale qualificato.

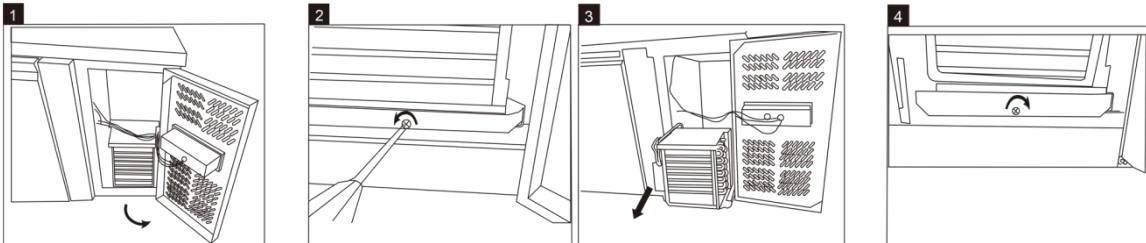
Operazioni periodiche

- Pulire il condensatore regolarmente con attrezzo adeguato (aspirapolvere o spazzole morbide).
- La pulizia periodica del condensatore può estendere la durata del dispositivo.
- Lasciar pulire il condensatore da personale qualificato.
- I collegamenti elettrici non devono essere allentati.
- Controllare che il termostato e il sensore funzionino adeguatamente.
- La chiave del quadro elettrico deve essere tenuta lontana dalla portata dei bambini.
- Utilizzare la chiave solo per aprire la serratura.

Cura del marmo

- Non pulire la superficie di lavoro con materiali o detergenti abrasivi: lavare con una soluzione calda a base di sapone.
- Non collocare materiale caldo o deteriorato sulla superficie di lavoro.
- In caso di caduta di liquidi pulire la superficie tempestivamente (soprattutto in caso di liquidi come succo di limone o aceto)
- Si raccomanda l'uso di un'asse per tagliare la carne, per evitare di danneggiare la superficie di lavoro.
- Dopo la pulizia asciugare bene con un panno morbido.

Come Estrarre Il Pannello Motore



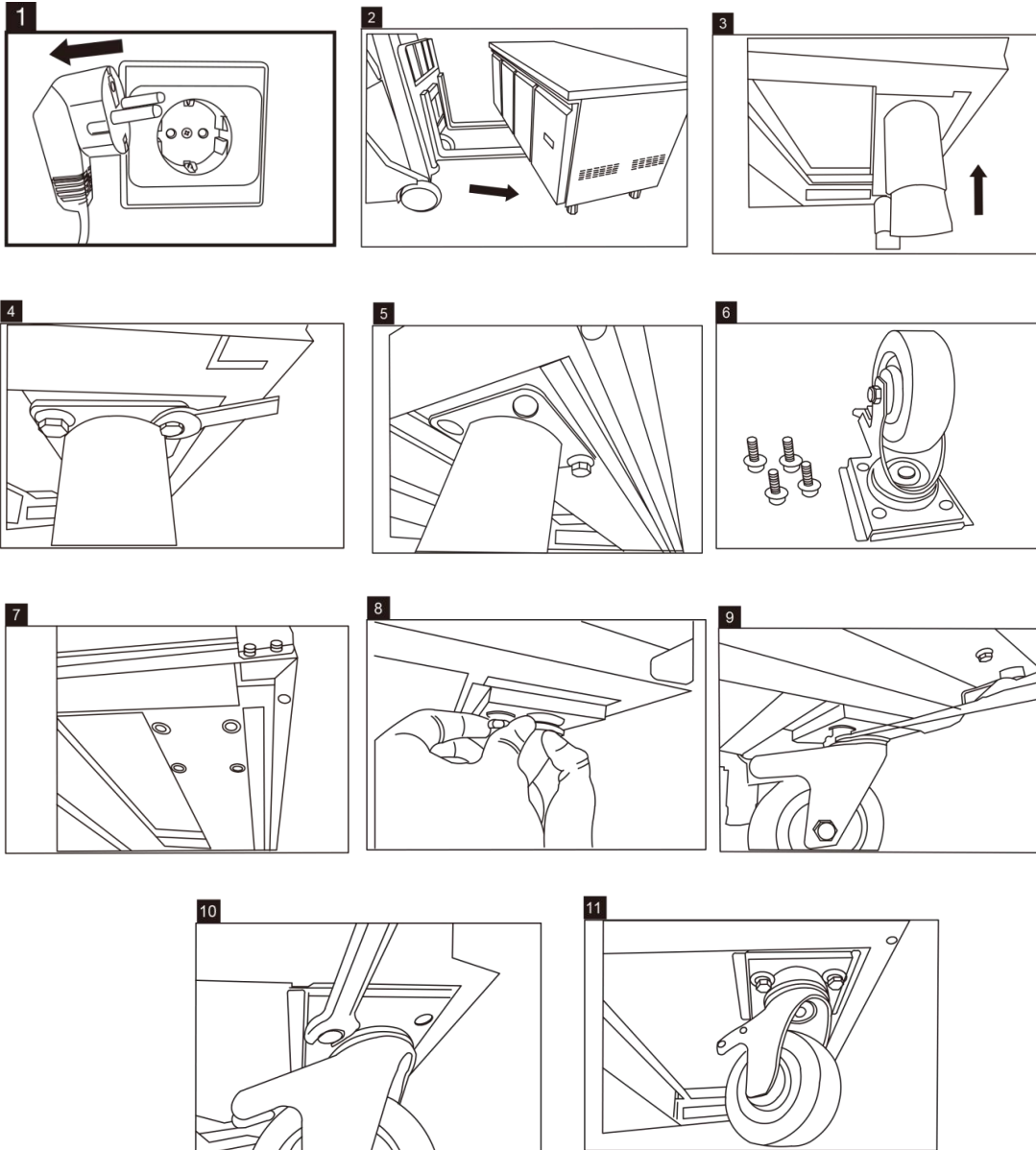
Accessorio Opzionale (Non Compreso nella confezione)

Componenti: Quattro rotoli di carta (fi ssare due rulli dotati d un freno nella parte inferiore anteriore e due rulli privi di freni nella parte posteriore in basso).

Procedimento: Seguire gli 8 passi descritti qui di seguito per procedere alla sostituzione dei rulli.

Precauzione: Si prega di scollegare il cavo dall'alimentazione elettrica prima di procedere alla sostituzione dei rulli. Prima di iniziare il processo di sostituzione fi ssare il carrello elevatore.

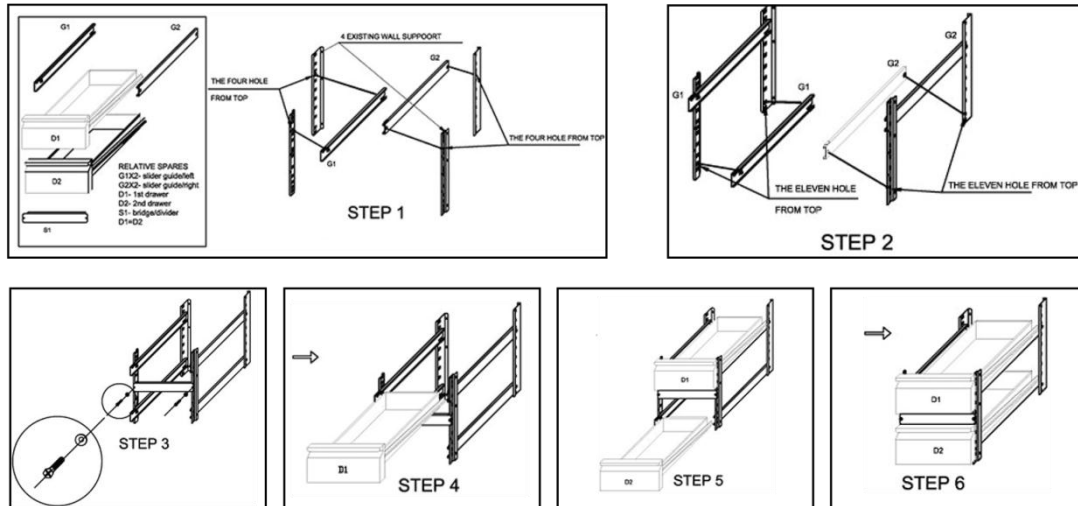
Assicurare tutti i cassetti, ripiani, coperchi prima di effettuare la sostituzione. Svuotare l'armadio prima di procedere alla sostituzione. Dopo aver effettuato la sostituzione fi ssare i freni dei rulli.



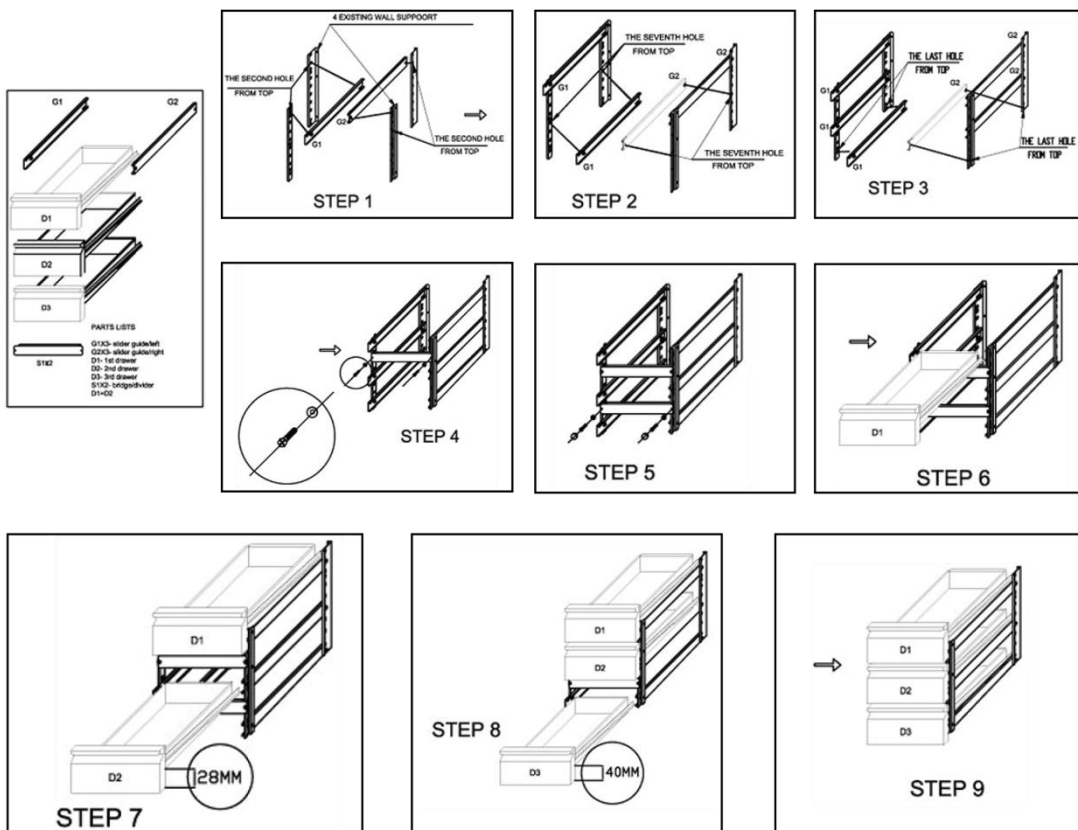
Nota: se desiderate acquistare accessori opzionali (GZC 1001), chiedete ai responsabili di vendita per suggerimenti

Come Cambiare Da Porta A Cassetti

Set2 Drawer Assembly Guide



Set3 Drawer Assembly Guide



Dati Tecnici

Per favore, controllare le ultime pagine del manuale d'uso

Avvertenze per la tutela dell'ambiente



I dispositivi elettrici vecchi possono contenere sostanze dannose per l'ambiente e quindi non devono essere smaltiti come rifiuti domestici. Siete pertanto pregati di consegnare l'apparecchio esausto presso gli appositi centri di raccolta o presso i centri autorizzati al ritiro al fine di proteggere l'ambiente.

Modello	Counter 2 Doors Refrigerator	Counter 3 Doors Refrigerator	Counter 4 Doors Refrigerator
Classe Climatica	4	4	4
Refrigerante	R134a	R134a	R134a
Carica refrigerante	For technical details and electrical diagram see label on the back of the product.		
Campo di temperatura (°C)			
Potenza nominale			
Frequenza nominale			
Potenza nominale			
Litri netti			
Peso netto			
Schiumogeno	CP/IP	CP/IP	CP/IP

Modello	Counter 2 Doors Freezer	Counter 3 Doors Freezer	Counter 4 Doors Freezer
Classe Climatica	4	4	4
Refrigerante	R404a	R404a	R404a
Carica refrigerante	For technical details and electrical diagram see label on the back of the product.		
Campo di temperatura (°C)			
Potenza nominale			
Frequenza nominale			
Potenza nominale			
Litri netti			
Peso netto			
Schiumogeno	CP/IP	CP/IP	CP/IP

Risoluzione Di Problemi

Se il dispositivo dovesse presentare guasti, controllare i seguenti punti:

Guasto	Probable Cause	Rimedio
Il dispositivo non funziona	L'apparecchio non è acceso	Controllare se la spina è inserita e che il dispositivo sia acceso
	La spina e il cavo sono danneggiati	Contattare il servizio assistenza o personale qualificato
	La protezione del cavo è bruciata	Cambiare la sicura (Presa UK)
	Allacciamento alla rete elettrica	Controllare il collegamento di rete
	Cablaggio interno difettoso	Contattare il servizio assistenza o personale qualificato
Il dispositivo si accende ma la temperatura è troppo alta / bassa	Troppo ghiaccio nell'evaporatore	Scongelerare il dispositivo
	Condensatore sporco	Contattare il servizio assistenza o personale qualificato
	Le porte non si chiudono bene	Controllare le guarnizioni delle porte
	Il dispositivo si trova nelle vicinanze di fonti di calore o il flusso d'aria al condensatore è interrotto	Scegliere un luogo migliore per il dispositivo
	La temperatura ambientale è troppo alta	Aumentare la ventilazione o selezionare un luogo più fresco per il dispositivo
	Alimenti non idonei conservati nel dispositivo	Rimuovere gli alimenti caldi; il ventilatore non deve essere bloccato
	Il dispositivo è troppo pieno	Diminuire la quantità di alimenti conservati
L'apparecchio troppo rumoroso	Dadi/viti allentati	Controllare le viti e i dadi e all'occorrenza stringerli
	Il dispositivo non è posizionato su un piano stabile e orizzontale	Controllare il luogo del dispositivo e spostarlo all'occorrenza
Il dispositivo perde acqua	Il dispositivo non è posizionato correttamente	Regolare i piedini affinché il dispositivo non è correttamente posizionato
	L'uscita dell'aria è bloccata	Pulire l'apertura dell'aria
	Lo scolo dell'acqua è bloccato	Pulire la base del dispositivo
	Il contenitore dell'acqua è danneggiato	Contattare il servizio assistenza o personale qualificato
	Il dispositivo di raccolta è pieno	Svuotare il dispositivo di raccolta

Smaltimento

Se il mobile non viene più utilizzato e si desidera smaltirlo, togliere le porte per impedire ai bambini

piccoli di rimanervi intrappolati. Quindi si prega di farlo in modo ecocompatibile.

Contattare un tecnico qualificato:

1. Per recuperare tutto il freon / refrigerante
2. Per rimuovere il compressore o l'olio dal compressore
3. per rimuovere i gas isolanti infiammabili

Il distributore / rivenditore potrà contattare il proprio centro locale di riciclaggio di metalli per prendere il mobile rimanente, scaffali, ecc.

Ci possono essere requisiti o condizioni particolari. È possibile ottenere informazioni sullo smaltimento degli apparecchi refrigeranti da:

- Il vostro fornitore
- Le autorità di governo (il Comune, il Ministero dell'Ambiente, ecc.)

Per legge, lo smaltimento dei rifiuti pericolosi può essere soggetto a multe e reclusione in alle disposizioni delle normative ambientali.

Corretto smaltimento del prodotto



Questo marchio indica che il prodotto non deve essere smaltito con altri rifiuti domestici in tutta l'UE. Per evitare eventuali danni all'ambiente o alla salute umana causati da smaltimento non controllato dei rifiuti, riciclare in maniera responsabile per favorire il riutilizzo sostenibile delle risorse materiali. Per restituire il dispositivo utilizzato, si prega di utilizzare i sistemi di raccolta o contattare il rivenditore presso il quale il prodotto è stato acquistato. Questi possono prendere il prodotto per un riciclaggio sicuro per l'ambiente.

Garanzia

- Il presente apparecchio è coperto dalla garanzia legale per i difetti di conformità ex DL 24/02 e Dlgs 206/2005.
- La garanzia decade se il consumatore non denuncia il difetto di conformità entro il termine di due mesi dalla data in cui ha scoperto il difetto.
- Il diritto alla garanzia decade in presenza di interventi da parte dell'acquirente o di terzi. I danni causati da un utilizzo improprio, da montaggio, conservazione, da collegamento o installazione non corretti, come anche da cause di forza maggiore non sono coperti dalla garanzia.
- Raccomandiamo di leggere attentamente le istruzioni, perché contengono informazioni importanti.
- Il consumatore è obbligato a conservare la ricevuta d'acquisto dell'apparecchio e ad esibirla qualora necessiti di ricorrere alla garanzia. La ricevuta di acquisto costituisce prova documentale del diritto alla garanzia dell'apparecchio.
- Il diritto alla garanzia è subordinato alla presentazione della prova d'acquisto da parte dell'acquirente.

Si prega di fare attenzione ad allegare all'eventuale apparecchio difettoso, al momento della consegna al Vs. rivenditore, anche i seguenti documenti:

- ricevuta d'acquisto, tipo, marca
- descrizione dell'apparecchio oltre alla descrizione quanto più possibile
- dettagliata del difetto riscontrato.

Per richiedere l'applicazione della garanzia o in caso di guasto, rivolgersi personalmente al proprio negozio di fiducia.