



Electrolux

Libero Line Series Induction, single zone - UK

ITEM # _____

MODEL # _____

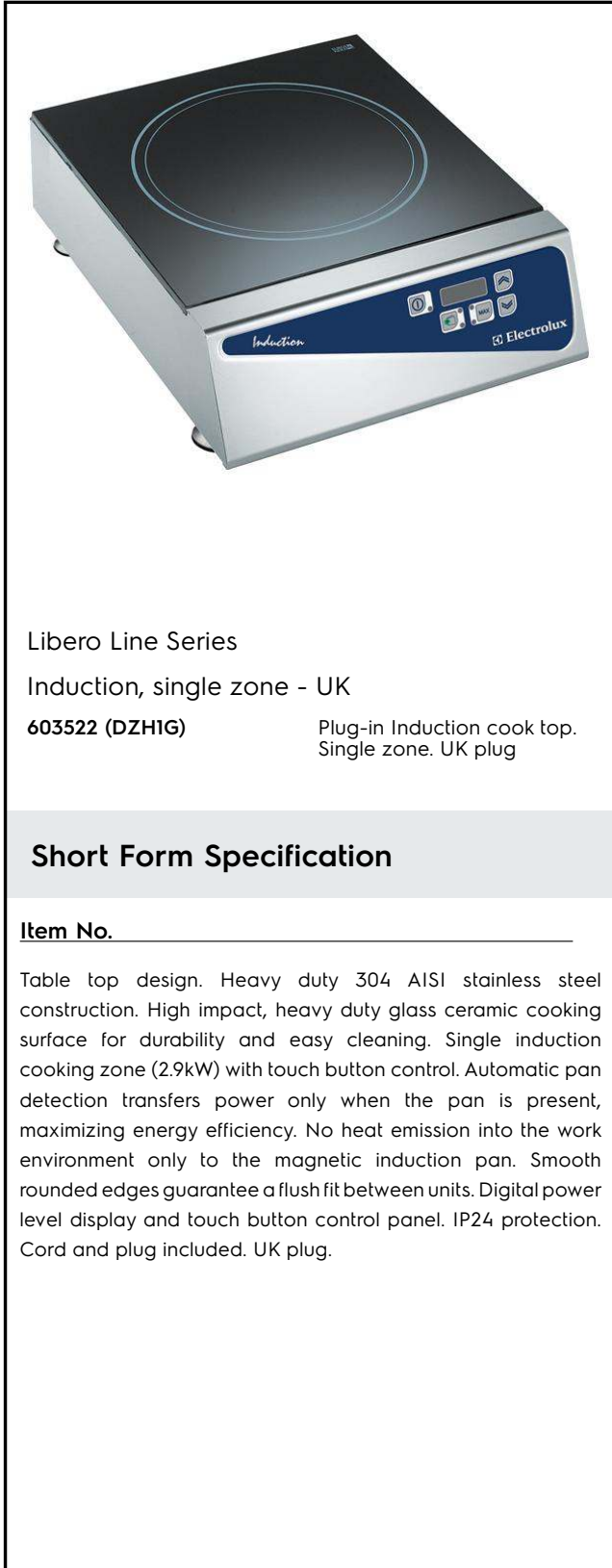
NAME # _____

SIS # _____

AIA # _____



Electrolux



Libero Line Series
Induction, single zone - UK

603522 (DZHIG) Plug-in Induction cook top.
Single zone. UK plug

Short Form Specification

Item No. _____
Table top design. Heavy duty 304 AISI stainless steel construction. High impact, heavy duty glass ceramic cooking surface for durability and easy cleaning. Single induction cooking zone (2.9kW) with touch button control. Automatic pan detection transfers power only when the pan is present, maximizing energy efficiency. No heat emission into the work environment only to the magnetic induction pan. Smooth rounded edges guarantee a flush fit between units. Digital power level display and touch button control panel. IP24 protection. Cord and plug included. UK plug.

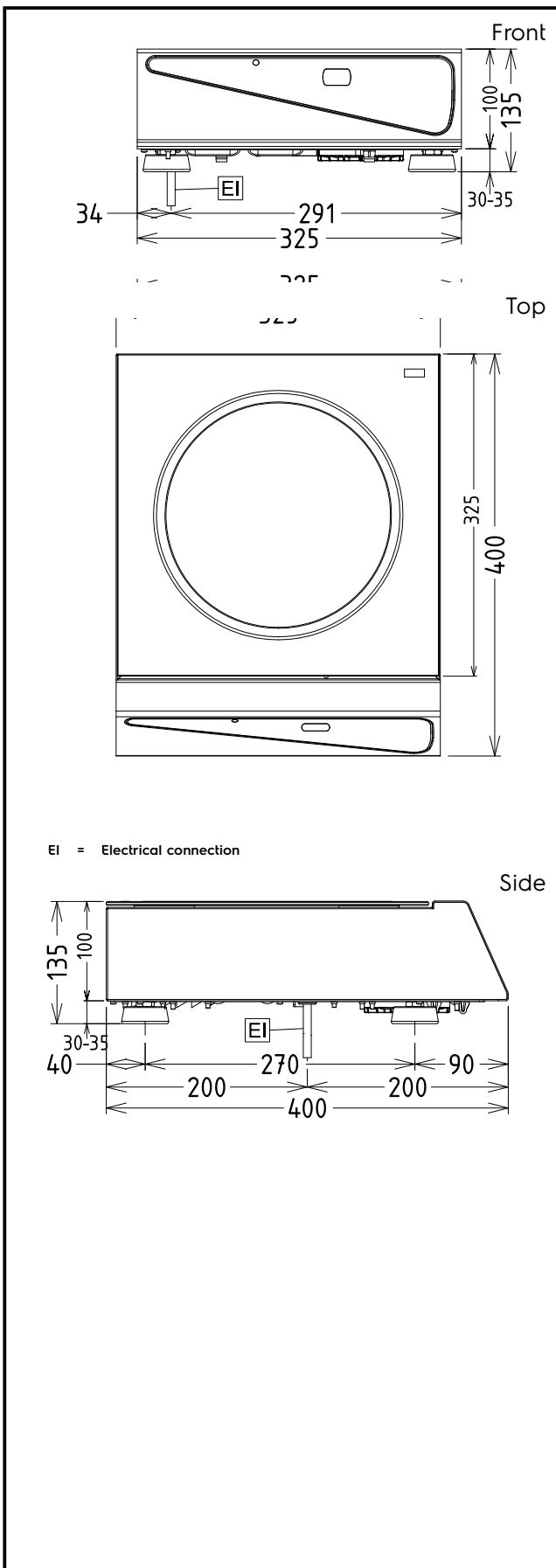
Main Features

- Suitable for pot and pan with diameter of 140-250mm.
- Table top design, single zone model.
- Heavy duty AISI 304 Stainless steel construction.
- Sealed heavy duty glass-ceramic cooking surface, 4 mm in thickness.
- Digital power level display (from 1 to 12).
- Automatic pan detection to transfer power only when pan is present.
- Rapid heat transfer directly to the pan, no heat is dispersed into the environment.
- IP24 protected.
- Cord and plug included.
- 4 adjustable feet.

Optional Accessories

- Stainless steel universal frying pan with stainless steel handle (diam. 200mm) suitable for induction and all other heating sources PNC 653596
- Universal frying pan with stainless steel handle (diam. 240mm) suitable for induction and all other heating sources PNC 653597
- Universal frying pan with stainless steel handle (diam. 280mm) suitable for induction and all other heating sources PNC 653598
- Universal frying pan with smooth plate suitable for induction cookers PNC 653617
- Universal frying pan with ribbed plate suitable for induction cookers PNC 653618

APPROVAL: _____


Electric
Supply voltage:
603522 (DZH1G) 230 V/1N ph/50/60 Hz

Minimum supply AMP:

13A

Key Information
Back Plates Power: 2.9 - kW

Back Plates dimensions: Ø 270

External dimensions, Height 135 mm

External dimensions, Width 325 mm

External dimensions, Depth 400 mm

Net weight: 10 kg

Plug Type: 1phase: Schuko; 3phase: CEE