



Refrigerated Buffet Bar

Instruction manual



**Model • Modèle • Modell • Modello • Modelo • Malli:
CR899**

Safety Tips

- Position on a flat, stable surface.
- A service agent/qualified technician should carry out installation and any repairs if required.
- Consult Local and National Standards to comply with the following:
 - Health and Safety at Work Legislation
 - BS EN Codes of Practice
 - Fire Precautions
 - IEE Wiring Regulations
 - Building Regulations
- DO NOT immerse the appliance in water, or use jet/pressure washers to clean the appliance.
- Do not store explosive substances such as aerosol cans with a flammable propellant inside the appliance.
- Do not use the appliance for anything other than its intended use.
- Always switch off and disconnect the power supply to the appliance when not in use.
- Not suitable for outdoor use.
- Keep all packaging away from children. Dispose of the packaging in accordance to the regulations of local authorities.
- If the power cord is damaged, it must be replaced by a POLAR agent or a recommended qualified technician in order to avoid a hazard.
- This appliance is not intended for use by persons (including children) with reduced physical, sensory or mental capabilities, or lack of experience and knowledge, unless they have been given supervision or instruction concerning the use of the appliance by a person responsible for their safety.

- Children should be supervised to ensure that they do not play with the appliance.

Caution Risk of Fire



- Do not store explosive substances such as aerosol cans with a flammable propellant in this appliance.



Warning: Keep all ventilation openings clear of obstruction. Unit should not be boxed in without adequate ventilation.

- **Warning:** Do not use mechanical devices or other means to accelerate the defrosting process, other than those recommended by the manufacturer.
- **Warning:** Do not damage the refrigerant circuit.
- **Warning:** Do not use electrical appliances inside the food storage compartments of the appliance, unless they are the type recommended by the manufacturer.

Introduction

Please take a few moments to carefully read through this manual. Correct maintenance and operation of this machine will provide the best possible performance from your POLAR product.

Pack Contents

The following is included:

- POLAR Refrigerated Buffet Bar
- Gastranorm spacer bars
- Instruction Manual

POLAR prides itself on quality and service, ensuring that at the time of packaging the contents are supplied fully functional and free of damage.

Should you find any damage as a result of transit, please contact your POLAR dealer immediately.

Installation



Note: If the appliance has been stored or moved in a non-vertical position, stand it in an upright position for approximately 12 hours before operation. If in doubt allow to stand.

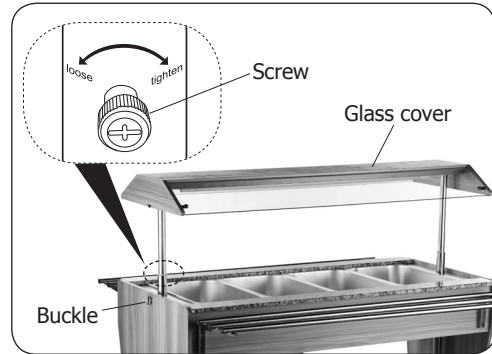
1. Remove the appliance from the packaging and remove the protective film from all surfaces.
2. When positioning, maintain a distance of 20cm (7 inches) between the appliance and walls or other objects for ventilation. **NEVER LOCATE NEXT TO OR NEAR A HEAT SOURCE.**



Note: Before using the appliance for the first time, clean the shelves and interior with soapy water.

3. Set the brakes on the castors to keep the appliance in position.

2. To lower the glass cover, loosen the screws first. Then press down the glass cover on both ends simultaneously. Finally lock the buckles in place.



Note: Do not place heavy objects (e.g., stacked plates) on the glass cover or folding shelves. Use the fixed shelves instead.

Operation

Storing Food

To get the best results from your POLAR appliance, follow these instructions:

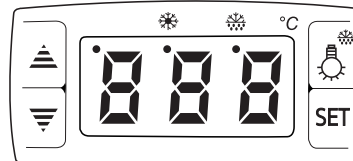
- Only store foodstuffs in the appliance when it has reached the correct operating temperature.
- Ensure gastronorm bays are full at all times, even if the gastronorms are unused or empty. Empty bays will greatly reduce efficiency of the appliance.
- Do not obstruct the fans inside the appliance.
- Use the spacer bars provided to fill any gaps (they are not required to support each GN pans).
- Always cover the pan with lid when not in use.
- Do not place hot food or liquid inside the appliance.

Raise/Lower the glass cover

1. To raise the glass cover, unlock the buckles at two sides first. The glass cover will rise automatically. Then turn the screws clockwise to tighten.

Control panel

The control panel is located at the rear of the appliance.



	Refrigerant indicator light
	Defrost indicator light
	Up Button
	Down Button
	Light / Manual defrost button
SET	Set button
I/O	Power switch



Turn On

1. Ensure the power switch is set to [O] and turn on at the socket.
2. Switch on the Power [I].



Illumination

Press the light button  to switch ON/OFF the lamp underneath the glass cover.

Adjusting the Temperature

1. Press **SET** button. The set temperature is displayed.
2. Press up button  or down button  to change the set temperature.
3. Press **SET** button to exit.
4. When the set temperature is reached, the refrigerant indicator light goes out.
5. The appliance is now ready for food to be put inside and keep cold.

Manual Defrost

1. To start manual defrost, press and hold defrost button  for 6 seconds.
2. To stop manual or automatic defrost, press and hold defrost button  for 6 seconds.

Cleaning, Care & Maintenance



Switch off and disconnect from the power supply before cleaning

- Wipe down the exterior of the appliance with a damp cloth.
- Remove the GN pans and clean with warm, soapy water and a damp cloth.
- Clean the interior of the appliance as often as possible.
- Do not use abrasive cleaning agents. These can leave harmful residues
- Always wipe dry after cleaning

Cleaning the Condenser

Periodic cleaning of the Condenser can extend the life of the appliance. POLAR recommend that a POLAR agent or qualified technician clean the condenser.

Replacing the Lamp

Call your POLAR dealer or a qualified electrician. The Lamp Assembly is available to purchase as a spare part.

Troubleshooting

Fault	Probable Cause	Solution
The appliance is not working	The unit is not switched on	Check the unit is plugged in correctly and switched on
	Plug and lead are damaged	Call POLAR agent or qualified Technician
	Fuse in the plug has blown	Replace the fuse
	Power supply	Check power supply
	Internal wiring fault	Call POLAR agent or qualified Technician
The appliance is not cooling	Coolant Leak	Call POLAR agent or qualified technician
	Fan Motor Failed	Call POLAR agent or qualified technician
	Airflow to the condenser obstructed	Increase the gap between appliance and obstacles/heat source
	Condenser is clogged	Call POLAR agent or qualified technician
Error code EE4	<ul style="list-style-type: none"> • Restricted Airflow • Blocked Condenser 	<ul style="list-style-type: none"> • Increase airflow • Call POLAR agent or qualified Technician

Technical Specifications

Model	Voltage	Power	Current	Temp. range	Refrigerant	Dimensions H x W x D mm	Weight
CR899	220-240V~ 50Hz	170W	1.3A	2°C - 10°C	R600a, 100g	1370 x 1490 x 765	118kg

Electrical Wiring

POLAR appliances are supplied with a 3 pin, moulded, BS1363 plug and lead, with a 13 amp fuse as standard.

The plug is to be connected to a suitable mains socket.

POLAR appliances are wired as follows:

- Live wire (coloured brown) to terminal marked L
- Neutral wire (coloured blue) to terminal marked N
- Earth wire (coloured green/yellow) to terminal marked E

This appliance must be earthed.



If in doubt consult a qualified electrician.

Electrical isolation points must be kept clear of any obstructions. In the event of any emergency disconnection being required they must be readily accessible.

Disposal

EU regulations require refrigeration product to be disposed of by specialist companies who remove or recycle all gasses, metal and plastic components.

Consult your local waste collection authority regarding disposal of your appliance. Local authorities are not obliged to dispose of commercial refrigeration equipment but may be able to offer advice on how to dispose of the equipment locally.

Alternatively call the POLAR helpline for details of national disposal companies within the EU.

Compliance

The WEEE logo on this product or its documentation indicates that the product must not be disposed of as household waste. To help prevent possible harm to human health and/or the environment, the product must be disposed of in an approved and environmentally safe recycling process. For further information on how to dispose of this product correctly, contact the product supplier, or the local authority responsible for waste disposal in your area.



POLAR parts have undergone strict product testing in order to comply with regulatory standards and specifications set by international, independent, and federal authorities.



POLAR products have been approved to carry the following symbol:

All rights reserved. No part of these instructions may be produced or transmitted in any form or by any means, electronic, mechanical, photocopying, recording or otherwise, without the prior written permission of POLAR.

Every effort is made to ensure all details are correct at the time of going to press, however, POLAR reserve the right to change specifications without notice.

DECLARATION OF CONFORMITY

• Conformiteitsverklaring • Déclaration de conformité • Konformitätserklärung • Dichiarazione di conformità •
• Declaración de conformidad • Declaração de conformidade

Equipment Type • Uitrustingstype • Type d'équipement • Gerätetyp • Tipo di apparecchiatura • Tipo de equipo • Tipo de equipamento	Refrigerated Buffet Bar	
Model • Modèle • Modell • Modello • Modelo • Malli	CR899	
Application of Council Directives(s) Toepassing van Europese Richtlijn(en) • Application de la/des directive(s) du Conseil • Anwendbare EU-Richtlinie(n) • Applicazione delle Direttive • Aplicación de la(s) directiva(s) del consejo • Aplicação de directiva(s) do Conselho	Low Voltage Directive (LVD) 2014/35/EC EN 60335-1:2012 +A11:2014 +A13:2017 EN 60335-2-89:2010 +A1:2016 +A11:2017 EN 62233:2008 Electro-Magnetic Compatibility (EMC) Directive 2014/30/EU EN 55014-1:2006 +A1:2009 +A2:2011 EN 55014-2:2015 EN 61000-3-3:2013 EN 61000-3-2:2014 Restriction of Hazardous Substances Directive (RoHS) 2015/863 amending Annex II to Directive 2011/65/EU	
Producer Name • Naam fabrikant • Nom du producteur • Name des Herstellers • Nome del produttore • Nombre del fabricante • Nome do fabricante	Polar	
Producer Address • Adres fabrikant • Adresse du producteur • Anschrift des Herstellers • Indirizzo del produttore • Dirección del fabricante • Morada do fabricante	Fourth Way, Avonmouth, Bristol, BS11 8TB United Kingdom	42 North Point Business Park New Mallow Road Cork Ireland

I, the undersigned, hereby declare that the equipment specified above conforms to the above Directive(s) and Standard(s).

Ik, de ondergetekende, verklaar hierbij dat de hierboven gespecificeerde uitrusting goedgekeurd is volgens de bovenstaande Richtlijn(en) en Standaard(en).

Je soussigné, confirme la conformité de l'équipement cité dans la présente à la / aux Directive(s) et Norme(s) ci-dessus
Ich, der/die Unterzeichnende, erkläre hiermit, dass das oben angegebene Gerät der/den oben angeführten Richtlinie(n) und Norm(en) entspricht.

Il sottoscritto dichiara che l'apparecchiatura di sopra specificata è conforme alle Direttive e agli Standard sopra riportati.
El abajo firmante declara por la presente que el equipo arriba especificado está en conformidad con la(s) directiva(s) y estándar(es) arriba mencionadas.

Eu, o abaixo-assinado, declaro que o equipamento anteriormente especificado está em conformidade com a(s) anterior(es) Directiva(s) e Norma(s)

Date • Data • Date • Datum • Data • Fecha • Data

17th May 2019

Signature • Handtekening • Signature • Unterschrift
Firma • Firma • Assinatura


Ashley Hooper

Full Name • Volledige naam • Nom et prénom • Vollständiger Name •
Nome completo • Nombre completo • Nome por extenso

Technical & Quality Manager

Position • Functie • Fonction • Position • Qualifica • Posición • Função



<http://www.polar-refrigerator.com/> 

CR899_UK_A5_v2_20190730