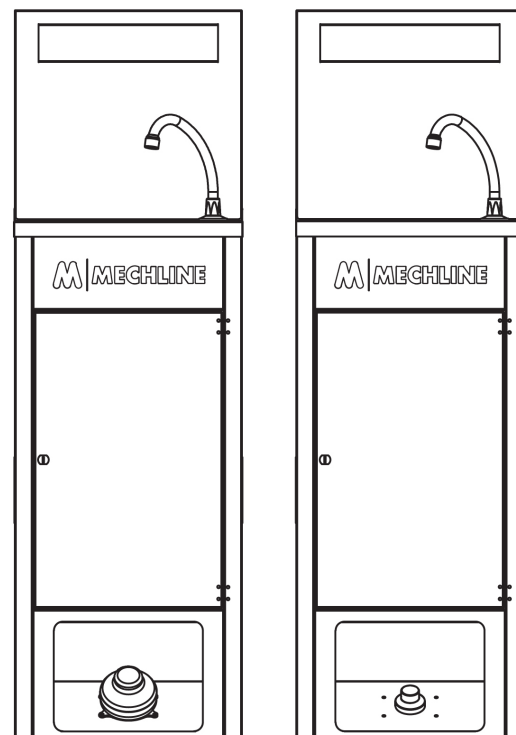


# INSTALLATION & OPERATING MANUAL

MODELS: **BSX-MHB-X** / **BSX-MHB-HCW** / **BSX-MHB-HCW-T**

## CONTENTS:

Chapter	Description	Page
1.	Introduction .....	1
2.	Models and Specifications.....	3
3.	Product Safety .....	4
4.	Structure .....	5
5.	Location Advice.....	5
6.	INSTALLATION INSTRUCTIONS .....	6
7.	OPERATING INSTRUCTIONS.....	12
8.	General Maintenance .....	13
9.	After Sales and Service Support.....	13
10.	Warranty .....	13



## Chapter 1. INTRODUCTION

Thank you for purchasing Mechline's BaSix<sup>TM</sup> mobile hand wash station. When correctly installed, and operated in accordance with this Operator Manual, it will provide many years of service.

Mechline's hygienic hand-washing solutions help operations meet their requirements to provide hand-wash facilities for staff and customers on site. By giving tools to make it easier and faster, good and safe habits are more easily followed and enforced.

Hands-free technology improves health and safety, by removing the need for manual contact and preventing the spread of germs by hand.

Hand-washing is the number one prevention against the spread of viruses, bacteria and other pathogens. Good hand-washing habits can be encouraged with the right equipment installed in the correct position.

**Spout with water saving diffuser** – Our BSX-MHB-X model will provide approx. 223 hand wash cycles from 1x 12.5L water container. If the alternative **ultra** water-saving diffuser is fitted to the spout, this would provide approx. 304 hand wash cycles from 1x 12.5L water container. Our BSX-MHB-HWC and HWC-T models can reduce your water consumption to as little as 0.6lpm when connected to mains water (*tested at 3 bar pressure*).

**Portable** – All models can be transported with ease using the castors and grab handle. Ideal for use at entrances to buildings/operations. The castors can be removed to allow flush to wall fitting if desired.

LEAVE THIS MANUAL WITH THE OPERATOR AFTER INSTALLATION






## Chapter 2. MODELS and SPECIFICATIONS

Model numbers	BSX-MHB-X	BSX-MHB-HCW	BSX-MHB-HCW-T
Region	UK/International		
<b>MODEL FEATURES</b>			
<b>Standard</b>	<ul style="list-style-type: none"> <li>• 2x removable castors</li> <li>• Splashback with integrated grab handle</li> <li>• Front hinged door, with ¼ turn thumb latch, to access stored containers</li> <li>• Built-in slots in side panels for hanging bin and towel dispenser options</li> <li>• 2x 12.5L containers for water feed and waste water collection</li> <li>• Reinforced PVC water hoses</li> <li>• Flexible waste connection</li> <li>• Manual foot pump valve</li> <li>• Spout fitted with water-saving diffuser</li> <li>• Alternative ultra water-saving spout diffuser supplied</li> </ul>	<ul style="list-style-type: none"> <li>• 2x removable castors</li> <li>• Splashback with integrated grab handle</li> <li>• Front hinged door, with ¼ turn thumb latch, to access services and internal lower storage shelf</li> <li>• Built-in slots in side panels for hanging bin and towel dispenser options</li> <li>• Built-in cut-outs with removable covers to the rear and side panels - for waste and water services connection</li> <li>• Time flow foot valve</li> <li>• Manual mixer valve</li> <li>• Spout fitted with water-saving diffuser</li> </ul>	<ul style="list-style-type: none"> <li>• 2x removable castors</li> <li>• Splashback with integrated grab handle</li> <li>• Front hinged door, with ¼ turn thumb latch, to access services and internal lower storage shelf</li> <li>• Built-in slots in side panels for hanging bin and towel dispenser options</li> <li>• Built-in cut-outs with removable covers to the rear and side panels - for waste and water services connection</li> <li>• Time flow foot valve</li> <li>• Thermostatic mixer valve</li> <li>• Spout fitted with water-saving diffuser</li> </ul>
<b>Optional</b>	<ul style="list-style-type: none"> <li>• Deck mounted soap dispenser</li> <li>• Spare 12.5L containers</li> <li>• Hanging bin and/or towel dispenser</li> </ul>	<ul style="list-style-type: none"> <li>• Deck mounted soap dispenser</li> <li>• Hanging bin and/or towel dispenser</li> </ul>	<ul style="list-style-type: none"> <li>• Deck mounted soap dispenser</li> <li>• Hanging bin and/or towel dispenser</li> </ul>
<b>SITE &amp; INSTALL REQUIREMENTS</b>			
Site	NO water/waste connection or electricity required. <i>NB: COLD water operation only via stored containers</i>	Hot and cold water ( <i>minimum 1.5 bar</i> ) and waste connection	Hot and cold water ( <i>minimum 1.5 bar</i> ) and waste connection
Installation	<ul style="list-style-type: none"> <li>✓ Freestanding</li> <li>✓ Wall fixing - optional</li> </ul>		
<b>MATERIALS</b>			
Main body	430 stainless steel		
Basin bowl	304 stainless steel		
Foot plate	Reinforced, heavy-duty stainless steel		
<b>DIMENSIONS &amp; WEIGHTS</b>			
Dimensions	1222mm(H) X 382mm(W) X 360mm(D)		
Net weight	15.5 kg	15.6 kg	15.6 kg

Chapter 3. PRODUCT SAFETY

3.1 SYMBOLS

MEANING/DESCRIPTION	SYMBOL
<p><b>Use PPE</b> The use of suitable PPE, such as gloves, is recommended when cleaning or maintaining this product.</p>	
<p><b>Warning/Caution</b> An appropriate safety instruction should be followed or caution to a potential hazard exists.</p>	
<p><b>Refer to Manual</b> Refer to the relevant instructions detailed within the product manual.</p>	

Before operating the unit, read these instructions carefully. Correct installation and operation will provide optimum performance and a longer life.

3.2 SAFETY INSTRUCTIONS

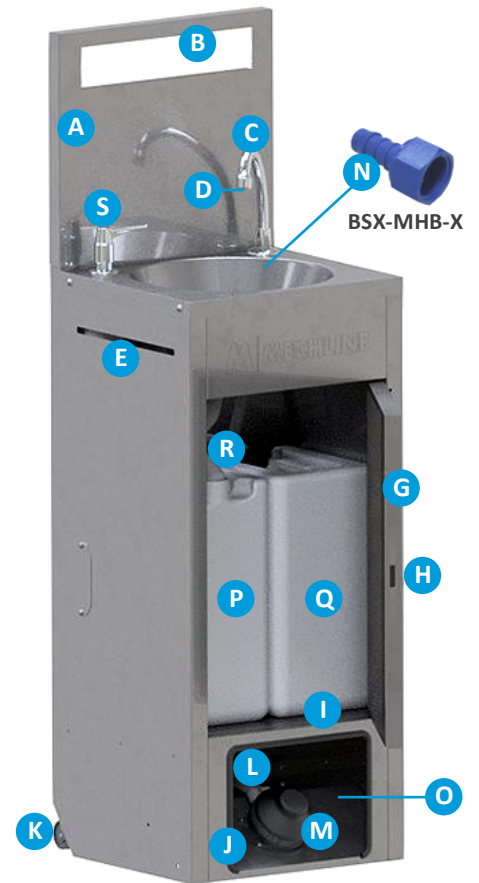
- 3.2.1 Children should be supervised while using the mobile hand wash range.
- 3.2.2 Units should be used as intended and not be tampered with or altered as the safety of the unit may be compromised.
- 3.2.3 The BSX-MHB-X version is designed to be used indoors and outdoors. We recommend storage indoors when product is not in use.

3.3 PRODUCT CONFORMITY

- 3.3.1 The mobile hand wash station range is supplied to the marketplace having been produced under the control of our comprehensive BSI ISO 9001:2015 Quality Management System (certificate FS 616985).

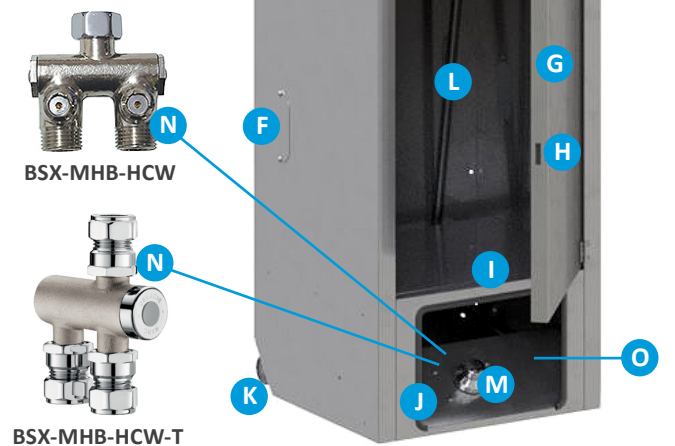
Chapter 4. STRUCTURE

	BSX-MHB-X	BSX-MHB-HCW	BSX-MHB-HCW-T
A	Splashback		
B	Grab handle		
C	Spout		
D	Water-saving diffuser		
E	Built-in side slots on both sides - for optional hanging bin and/or towel dispenser		
F	Built-in hatches on both sides with removable panels - for waste and water services connection		
G	Door		
H	¼ turn thumb latch		
I	Internal shelf for water/waste containers	Internal storage shelf	
J	Protective edge trim		
K	2x Castors		
L	Reinforced PVC Hoses	Stainless steel braided hose	
M	Manual foot pump valve	Time flow foot valve	
N	Barbed hose connection	Manual mixing valve	Thermostatic mixing valve
O	Reinforced, stainless steel foot plate		
P	Waste water container (stored left)		
Q	Fresh water container (stored right)		
R	Flexible waste connection		
S	Optional deck mounted soap dispenser		



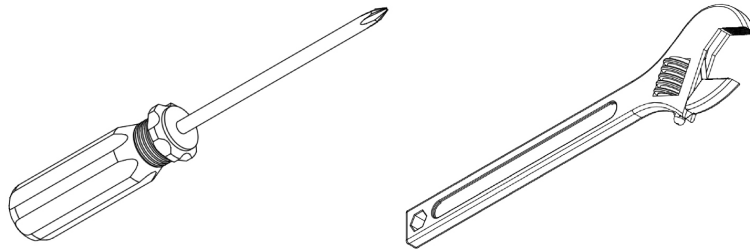
Chapter 5. LOCATION ADVICE

- The BSX-MHB-X model is designed to be used indoors and outdoors. We recommend storage indoors when product is not in use.
- Models can be freestanding or wall fixed.

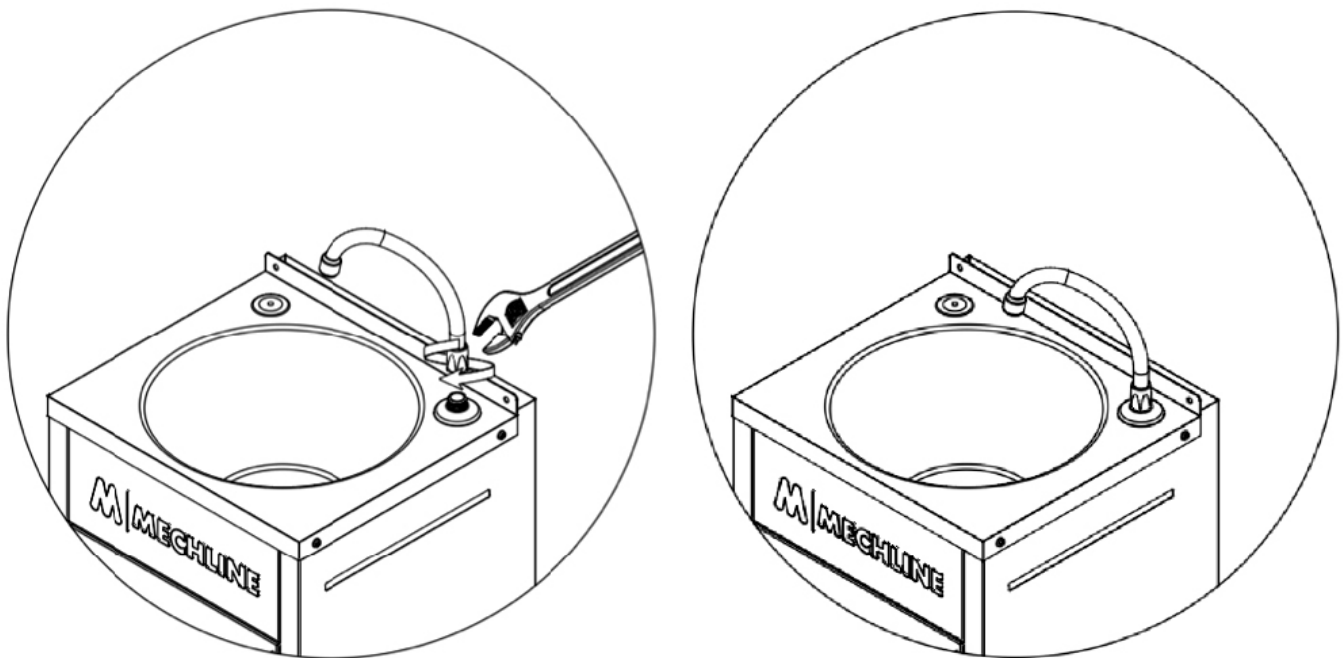


Chapter 6. INSTALLATION INSTRUCTIONS

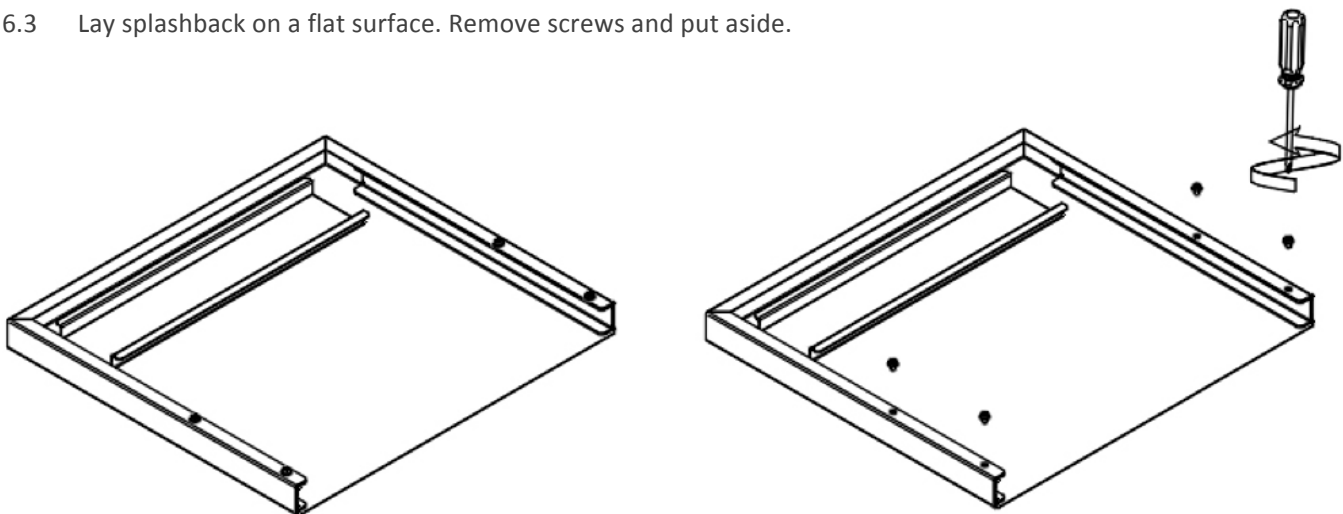
6.1 Equipment needed:



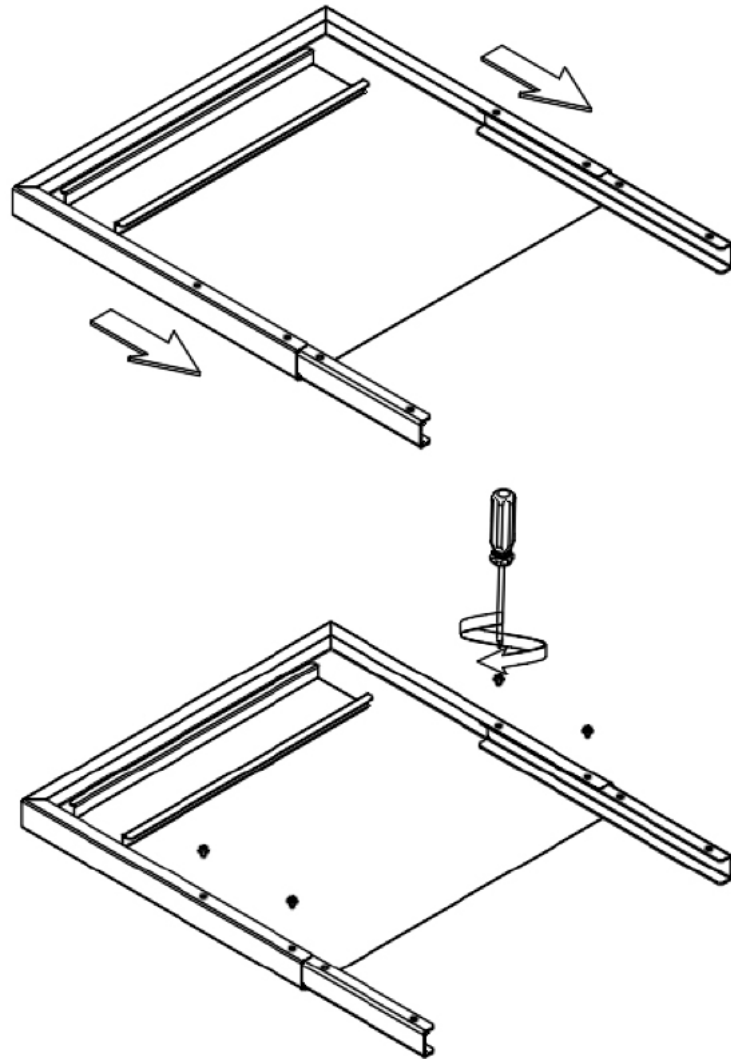
6.2 Install spout - use spanner to tighten.



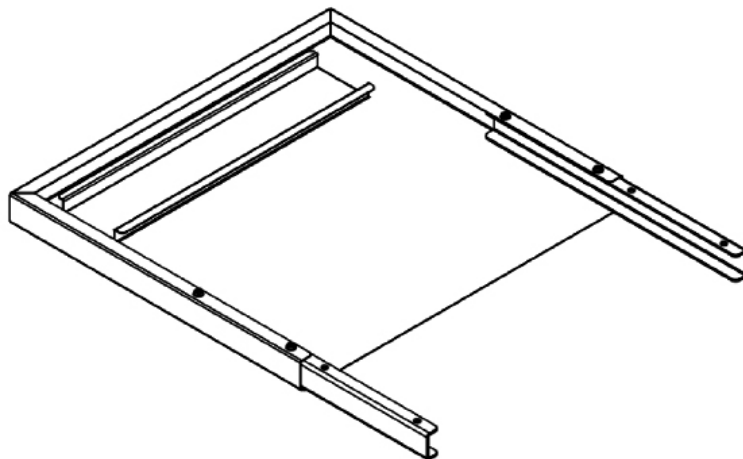
6.3 Lay splashback on a flat surface. Remove screws and put aside.



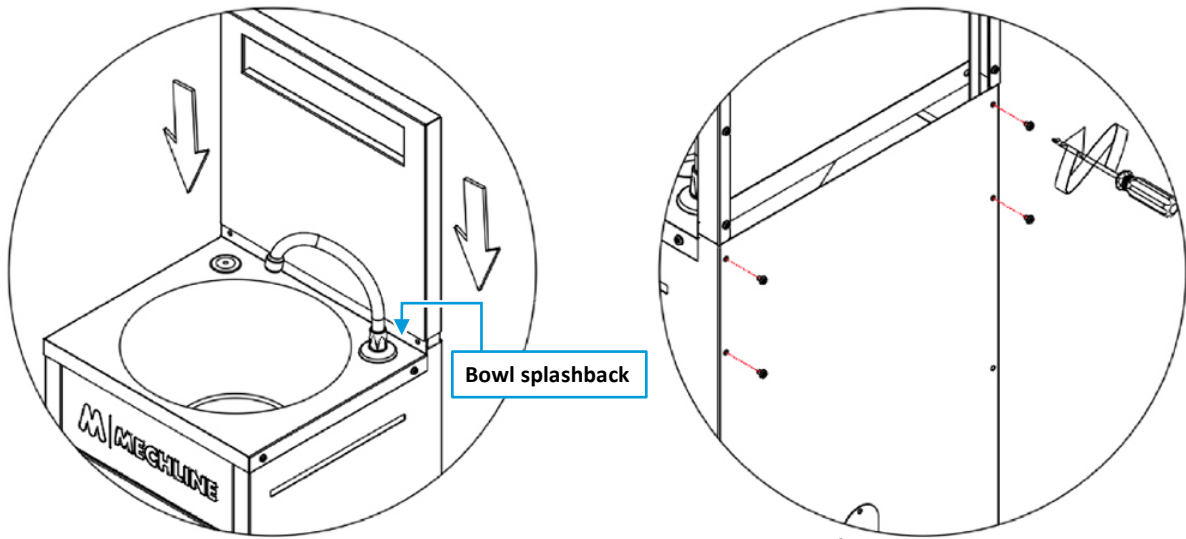
6.4 Slide frames to align top 2 holes with splashback holes. With holes aligned, fit screws.



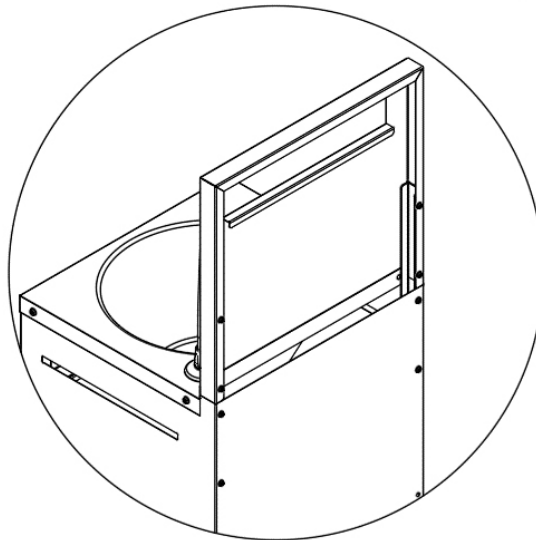
6.5 Splashback is now ready to be fitted onto the main body.



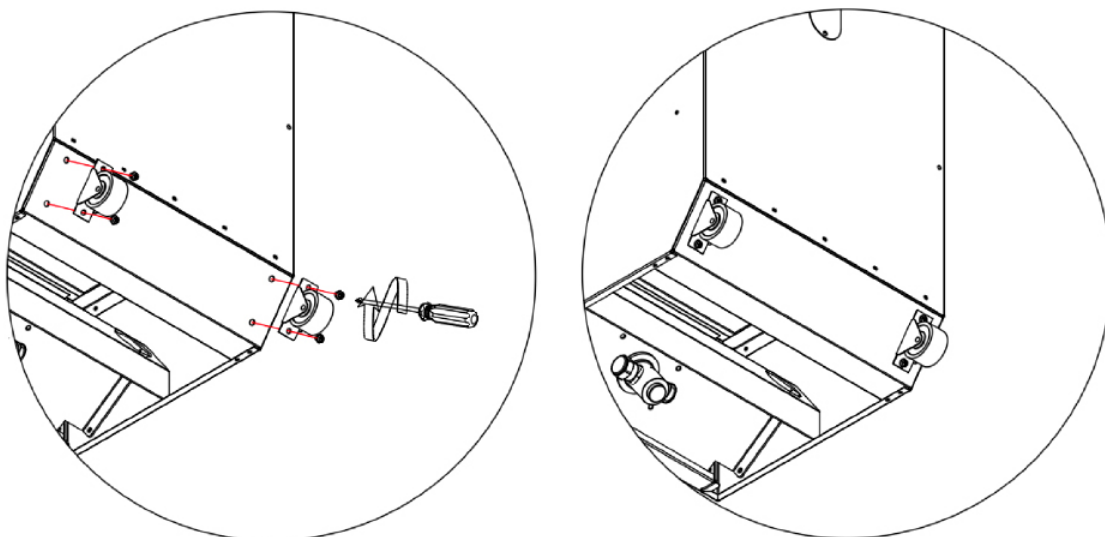
- 6.6 Slide fitted splashback onto main body as shown. **Ensure bowl splashback sits behind main body splashback.** Once the splashback is placed into position and holes align, fit screws.



Splashback is now installed.

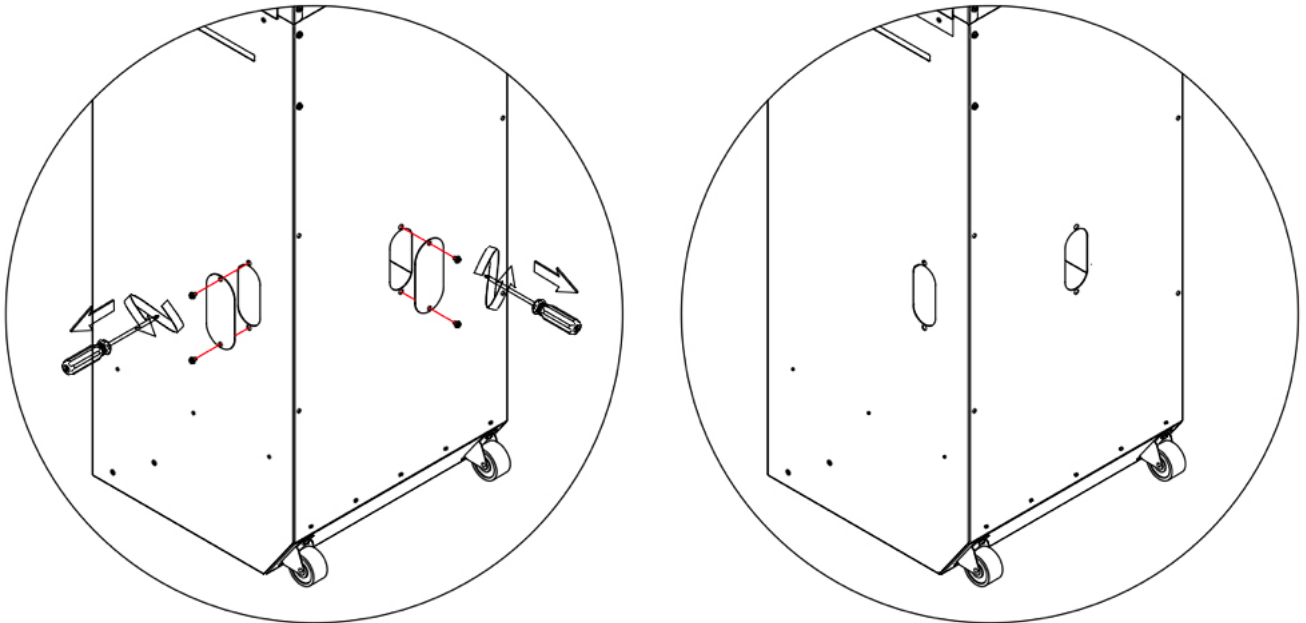


- 6.7 If needed, fit castors.



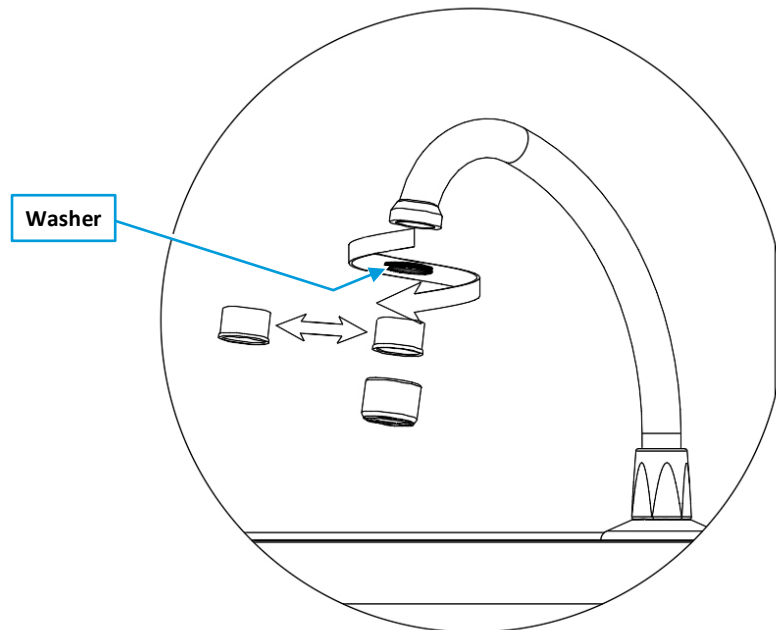


6.8 If needed, remove cover plates to run water and waste services, as appropriate.



6.9 Models are supplied with a water-saving diffuser ready fitted in the spout. For models **BSX-MHB-HCW** and **BSX-MHB-HCW-T** the water-saving diffuser can be swapped for the STANDARD diffuser. For the **BSX-MHB-X** model the water-saving diffuser can be swapped for the ULTRA water-saving diffuser.

**HOW TO REPLACE DIFFUSER:** Manually unscrew the diffuser, remove the washer and the insert (diffuser). Replace with the alternative diffuser, **ensuring that the existing washer is re-used** when fitting.



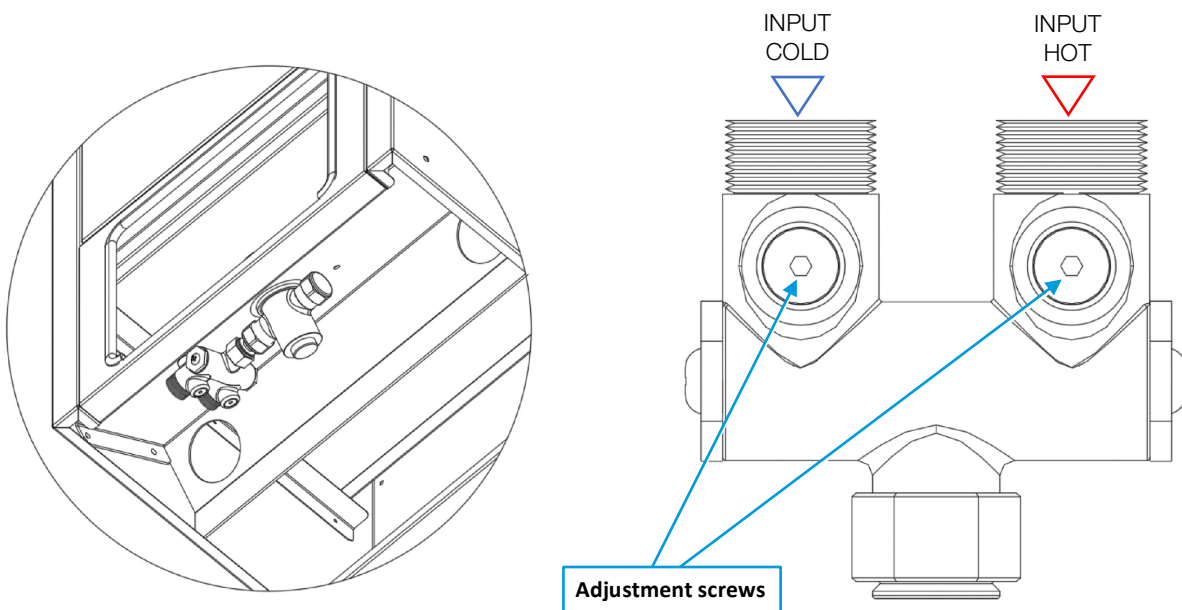
6.10 For models **BSX-MHB-HCW** and **BSX-MHB-HCW-T** final connections to mains water feed and waste (1 ¼ inch) to be completed by the installer.

6.11 For installing and operating mixing valves for **BSX-MHB-HCW** and **BSX-MHB-HCW-T** see sections 6.12 or 6.13.

## 6.12 MANUAL MIXING VALVE — supplied with model **BSX-MHB-HCW**

### 6.12.1 Technical features

- Balanced water pressure supplies required. Pressure range 1.5-3 Bar. Hold and cold pressure should be no more than 1bar flow differential.
- Joint seals to be made using PTFE tape ONLY.
- NO JOINTING COMPOUNDS to be used under any circumstances.
- **The preferred location for the manual mixing valve is next to the time flow foot valve. However, if desired, this can be installed at the inlet end of the water supply.**



### 6.12.2 Installation

**NOTE:** Install manual mixing valve with adjustable valves facing the installer.

- Recommended pressure range 1.5-3 Bar.
- Connect the cold water supply to the inlet on the LHS as viewed from the view in picture above.
- Connect the hot water supply to the inlet on the RHS as viewed from the view in picture above.

### 6.12.3 Calibrating the temperature

After installation turn the **adjustments screws** using a 3mm Allen key until the desired water temperature delivery to the spout is achieved. Turn clock-wise to close the valve and anti-clockwise to open the valve.

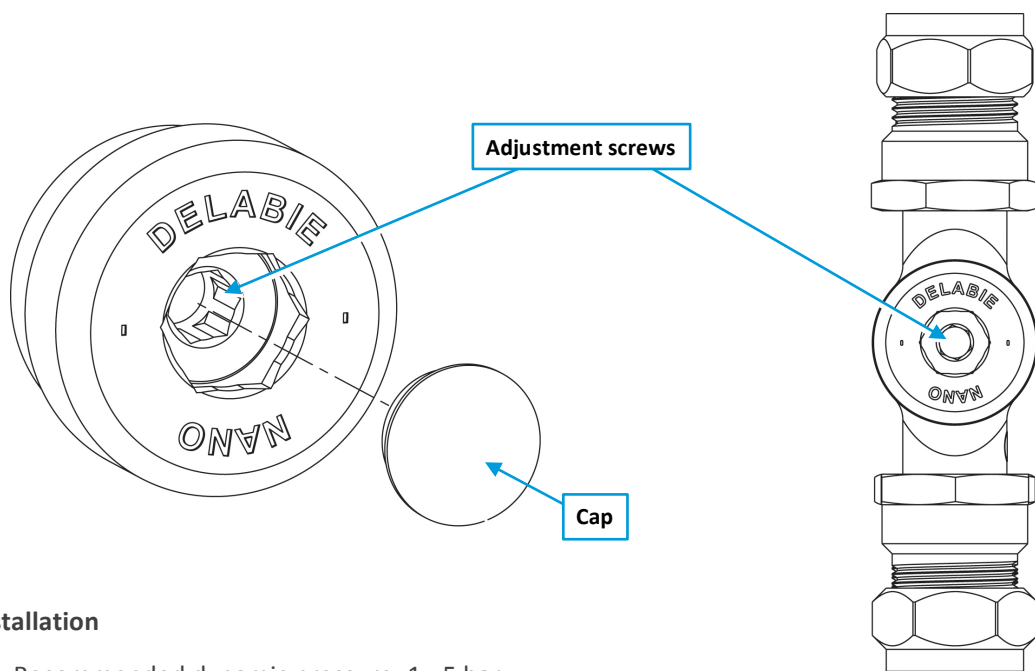
6.13 THERMOSTATIC MIXING VALVE — supplied with model **BSX-MHB-HCW-T**

6.13.1 Technical features

- Integrated non-return valves and filters.
- Pre-set at 38°C (CW and HW pressure 3 bar).
- Minimum mixed water temperature: 34°C.
- Anti-scalding fail-safe activates if:
  - the mixed water temperature exceeds 42°C.
  - the difference between the HW and CW is greater than 15°C.

**NOTE:** Response time ~2 seconds.

- **The preferred location for the thermostatic mixing valve is next to the time flow foot valve, under the foot plate. However, if desired, this can be installed at the inlet end of the water supply.**



6.13.2 Installation

- Recommended dynamic pressure: 1 - 5 bar.
- HW supply temperature: 55 - 85°C.
- CW supply temperature: 5 - 20°C.
- Balance the HW/CW pressure ( $\Delta P < 1$  bar).
- PREMIX NANO can be installed in any position.
- Connect the hot water supply to the inlet with a red marker and the cold water to the inlet with a blue marker.

6.13.3 Calibrating the temperature

It is possible to change the mixed water temperature by:

- Removing the cap
- Turning the screw with a 5mm Allen key - clockwise to reduce the temperature and anti-clockwise to increase the temperature.

**NOTE:** The adjustor screw turns continuously below 34°C.

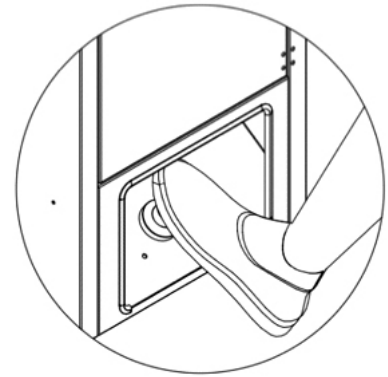
- Once the desired temperature has been achieved, replace the cap.

## Chapter 7. OPERATING INSTRUCTIONS

### 7.1 Models **BSX-MHB-HCW** and **BSX-MHB-HCW-T**

**Important!** Following installation, the time flow valve needs to be primed to remove air from the hose.

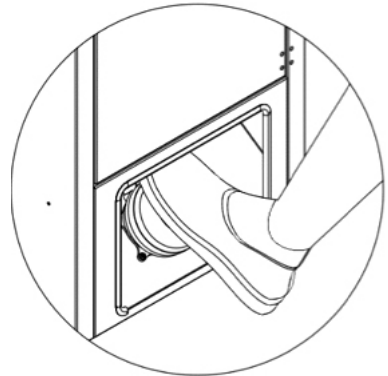
Actuate time flow valve by compressing and releasing by foot. At 3 bar water pressure, each actuation will provide a run time of 8 to 12 seconds. Repeat as necessary.



### 7.2 Model **BSX-MHB-X**

**Important!** Following installation, or following water container refill, the manual foot pump needs to be primed to remove air from the hose.

Actuate manual foot pump by compressing and releasing. Each compression will deliver water to the spout. Repeat as necessary.



7.2.1 Remove empty water feed container. Lift out feed hose.

7.2.2 Lift flexible waste hose out of waste container.

7.2.3 Remove waste container from unit. Ensure container screw cap is replaced. Dispose of waste water.

**NOTE:** Be careful to manoeuvre the containers around the flexible waste fittings to prevent damage.

**NOTE:** Waste water is dirty and must be disposed of responsibly.

7.2.4 Ensure empty waste container is replaced into the LHS of the unit with neck facing front and screw cap removed. Reinsert flexible waste hose into neck of the container.

7.2.5 Once refilled, replace water hose into fresh water container and reinsert into the RHS of the unit with the neck of the container facing the rear.

**NOTE:** Be careful to manoeuvre the containers around the flexible waste fittings to prevent damage.

**NOTE:** When transporting full water containers ensure screw cap is fitted.

7.2.6 Following each water container refill manual foot pump needs to be primed to remove air from the hose.

## Chapter 8. GENERAL MAINTENANCE



Refer to Chapter 3 of this manual, relating to safety.

The grade of stainless steel used to manufacture this appliance (430 ASI) has been chosen to offer enhanced corrosion protection. However, all grades of stainless steel can stain and discolour through general use. In order to keep your BaSix product in good condition, it should be kept as clean as possible. With proper care, your BaSix product will give many years of service life.

Care should be taken during installation to ensure that surface contamination is avoided. The best way to do this is to leave the protective plastic film in place if possible, during installation, and then remove it just before the product is used.

For general cleaning, use soap or a mild detergent and water on a sponge. Rinse with clean water and wipe dry if necessary. Avoid abrasive cleaning products such as scourers.

**The mobile basin range must be installed and operated in compliance with the supplied instructions.**



- The use of suitable PPE, such as gloves, is recommended when cleaning or maintaining this product.



- Do not use abrasive, chlorine or acid-based cleaning products. Avoid contact with concentrated bleach. Clean with soapy water using a cloth or sponge.

## Chapter 9. AFTER SALES and SERVICE SUPPORT

### TECHNICAL ASSISTANCE

Call: +44 (0)1908 251511 and ask for the Technical Helpdesk.

Or, e-mail: [technical@mechline.com](mailto:technical@mechline.com)

## Chapter 10. WARRANTY

The mobile hand wash station is covered by a 12 month parts only manufacturer's warranty from the date of invoice, against defective workmanship or faulty parts. Terms and conditions apply.

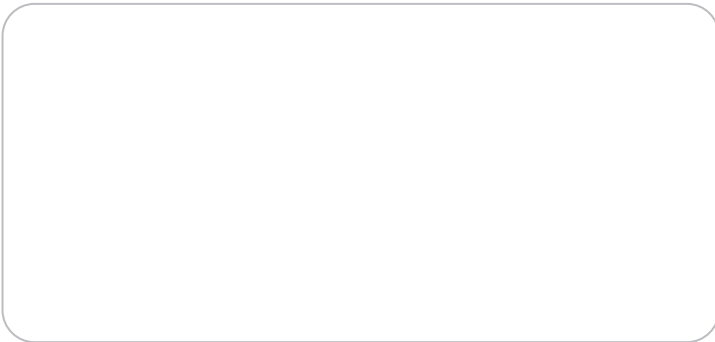
Please contact your local distributor or visit [www.mechline.com](http://www.mechline.com) for spare part requests.





---

Distributed by:



FS 616985

MECHLINE DEVELOPMENTS LIMITED | Telephone: +44 (0)1908 261511 | Email: [info@mechline.com](mailto:info@mechline.com) | Web: [www.mechline.com](http://www.mechline.com)