



# Merchandisers

QR350



Dear Customer,

Congratulations on your purchase of this product. This product has also been developed on the basis the latest technology and produced using reliable and modern electrical components.

Please take a few minutes before starting operation of the appliance and read the following operating instructions.

Many thanks.



## TABLE OF CONTENTS


Important safety instructions.....	1-4
Intended use.....	4
Parts.....	5
Cabinet and controller operation instruction.....	6-7
Cleaning.....	8
Disposal instructions.....	8
Technical data.....	9
Warranty.....	9

## IMPORTANT SAFETY INSTRUCTIONS

Read these instructions for use carefully before using the device. Observe all safety instructions, so as to avoid damage through improper use.

1. Keep this instruction manual for future use. Should this appliance be passed on to a third party, this instruction manual must be handed over.
2. This appliance is heavy. To prevent injury or damage to it, unpack and set up by two people.
3. Never use a damaged appliance! Disconnect the appliance from the mains outlet and contact your supplier, if it is damaged.
4. Connect and install this appliance in strict compliance with the relevant instructions in this manual.
5. Only use the appliance for its intended use. The appliance is intended for commercial use.
6. No responsibility is accepted for damage resulting from improper use or non-compliance with the instructions.
7. Only use the appliance indoors.
8. Danger of electric shock! Never try to repair the appliance yourself. Refer to qualified customer service outlet for maintenance and repairs.

## IMPORTANT SAFETY INSTRUCTIONS

9. Regularly check the power plug and power cord for damage. A damaged power cord has to be replaced by the manufacturer, his customer service or a similar qualified person in order to avoid danger of injury.
10. Before inserting the power plug into the mains outlet, check that the power supply voltage and current rating corresponds with the power supply details shown on the appliance rating label.
11. Avoid damage to the power cord. Do not squeeze, bend or scour on sharp edges. Keep away from hot surfaces and naked flames.
12. Warning! Before using the appliance make sure that the connections are earthed.
13. Please connect the earthing wire to the terminal of equipotentiality by qualified technician. 
14. For your safety, only connect the appliance with a properly earthed mains outlet. Unplug the appliance immediately if you get an electric shock when touching the appliance.
15. Do not pull on the power cord. Only pull on the plug. Do not wrap the power cord around the appliance.
16. This appliance must be earthed!
17. Securely route the power cord that no unintentional pulling or tripping over it is possible.
18. Connect the power plug with an easy reachable mains outlet so that in case of an emergency the appliance can be unplugged immediately.
19. Never use accessories, which are not recommended by the manufacturer. They could pose a danger to the user and might damage the appliance. Only use original accessories.
20. The appliance is powered when connected to the power supply.
21. Warning! Do not insert any objects into the casing of the appliance.
22. Do not open the casing.
23. Do not obstruct or cover the ventilation openings. Keep the appliance well ventilated at all times.
24. Should the cover of the lights fall off or break, unplug the appliance immediately and contact qualified personnel for repairs.
25. This appliance is not intended for use by persons (including children) with reduced physical, sensory or mental capabilities, or lack of experience and knowledge, unless they have been given supervision or instruction concerning use of the appliance by a person responsible for their safety.

## IMPORTANT SAFETY INSTRUCTIONS

26. Children should be supervised to ensure that they do not play with the appliance.
27. Do not keep the keys of the appliance locks near it or within reach of children.
28. Do not touch the appliance with wet or damp hands. Do not operate the appliance with wet hands or standing on a wet floor.
29. Warning! During cleaning or operation do not immerse the appliance in water or other liquids. Do not clean the appliance with a garden hose.
30. Should water flow into the appliance, immediately unplug the appliance and let it be inspected by qualified personnel before using again.
31. Unplug from the mains outlet when not in use and before cleaning.
32. Do not place combustible, explosive or volatile articles, corrosive acids or alkali in the appliance. Store high-proof spirits only in upright position and close them properly. Containers with flammable gases and liquids can leak at low temperatures and catch fire from electrical appliances' sparking. Danger of explosion!
33. Make sure that no chemical substances get into the interior of the appliance.
34. Warning! This product is for food storage with containers. Do not place food without container inside.
35. Leaking oil can damage the rubber gaskets of the appliance. Make sure that products with oil are wrapped properly and can not leak.
36. Keep the appliance away from any hot surfaces and naked flames.
37. Always operate the appliance on a level, stable, clean, heat resistant and dry surface.
38. Do not use the appliance in the proximity of explosive and inflammable vapours.
39. The minimal distance specification to the surrounding roadblock is 1 meter.
40. Do not damage any parts of the appliance which carry refrigerant by piercing, perforating, crushing, twisting or scraping.
41. Danger of fire! In event of refrigerant leakage, unplug the appliance, remove any ignition sources nearby, ventilate the room and contact your supplier. Avoid contact with the eyes as the refrigerant may cause serious eye injury. You can find details on the refrigerant on the rating label.

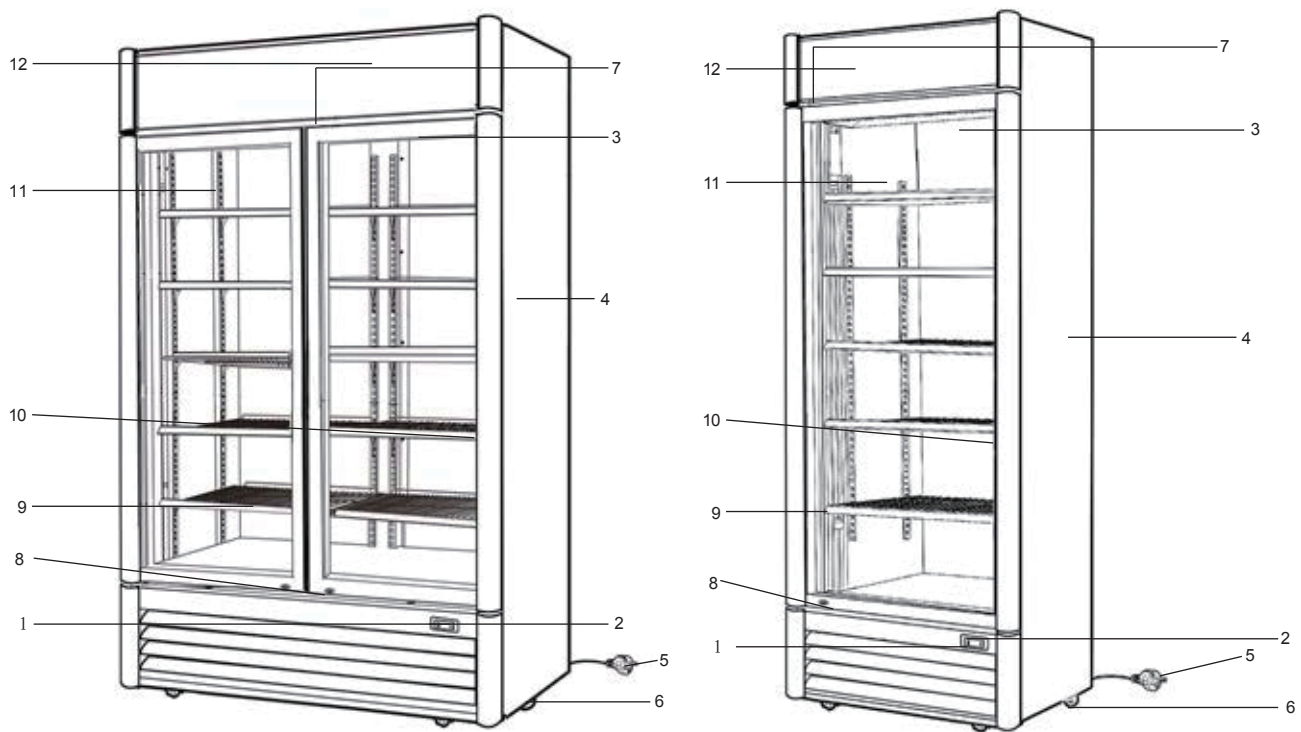
## IMPORTANT SAFETY INSTRUCTIONS

42. In case of fire unplug from the mains outlet or disconnect from the power supply in an other way before taking firefighting measures. Warning! Do not spill water on the appliance when connected to the power supply. Risk of electric shock!
43. Do not accelerate the defrosting process by using mechanical devices, heating sources (candles or heaters) or other means. The emerging steam can cause short circuit and too high temperatures can damage the synthetic covering of the appliance.
44. Do not operate electrical appliances in the inner compartment.
45. Take protective measures to prevent prolonged skin contact with cold surfaces of inner compartment or with chilled products, e.g. wear gloves.
46. Never put warm or hot foods directly into the appliance.
47. Cover food to prevent smell and to keep fresh. Do not consume products which have been stored for too long to avoid food poisoning.

## INTENDED USE

Only use this appliance for cooling and storage of food and beverage for commercial purposes.

# PARTS



GB

- 1. Display / thermostat
- 2. LED Bottom Light On-Off
- 3. Glass door
- 4. Foamed Body
- 5. Power cord with power plug
- 6. Castors
- 7. Door switch
- 8. Locks
- 9. Shelves
- 10. LED vertical internal light
- 11. Shelf support.
- 12. Canopy Lamp

## Cabinet and Controller Operation Instruction

### Storing food stuffs:

To get the best results from your appliance, please follow these instructions:

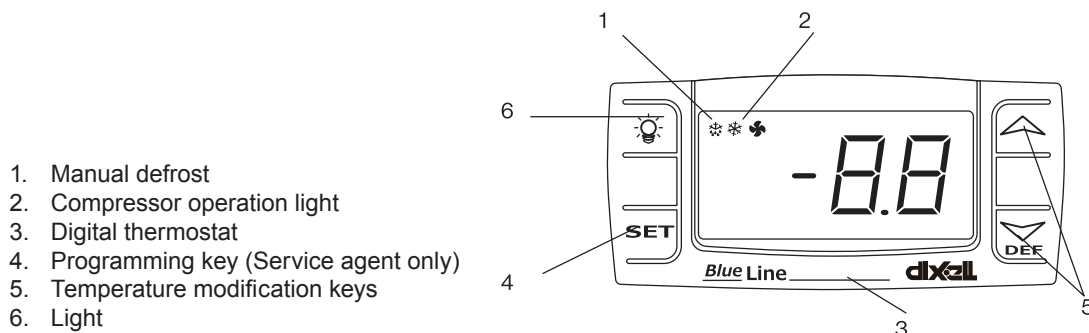
- 1: Only store foodstuffs in the appliance when it has reached the correct operating temperature.
- 2: Always close the door, when hot in use and appliance is switched on. The appliance has fan operating door switches and WILL NOT cool when the door is open.
- 3: Do not place uncovered nonfood or liquid inside the appliance.
- 4: Wrap or cover food where possible.
- 5: Do not obstruct the fans inside the appliance.(Refrigerator)
- 6: Avoid opening the door for prolonged periods of time.
7. The maximum load for a shelf is 30Kg.
- 8: The food must be put into containers before being placed into cabinet or on the shelf. Food must not be placed into food cabinet directly.

### Turn on:

- 9: Close the door of the appliance.
- 10.Ensure the power switch is set to [O] and insert plug into socket.
11. Switch on the Power[I]. The current temperature within the appliance is displayed.
- 12: The \* on the display will flash for 3-min to indicate a delay between the motor compressor being stopped and then restarted.

### Temperature setting and control

#### The front panel of the thermostat



#### How to see the set point

- Push and immediately release the **SET** key, the set point will be showed;
- Push and immediately release the **SET** key or wait about 5s to return to normal visualisation.

#### How to change the set point

- Push the **SET** key for more than 2 seconds to change the set point value;
- The value of the set point will be displayed and the "°C" starts blinking;
- To change the set value push the „^" (up) or „v" (down) arrows within 10s.
- To memorise the new set point value push the SET key again or wait 10s.

#### Manual defrost

The appliance will automatically run a defrost cycle every 12 hours.

**Note: The cycle starts from the time the appliance is initially powered up.**

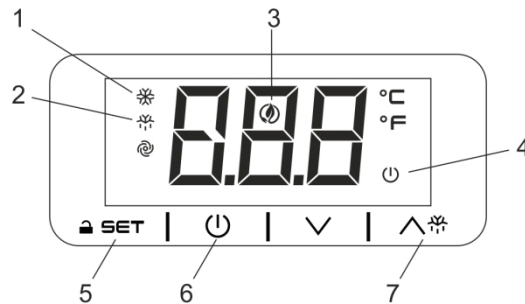
To manually defrost the appliance:

- Press and hold the **DEFROST** button for 5 seconds.
- The defrost cycle will start immediately and the Defrost LED illuminates. The defrost will last 20 minutes.

**Note: Starting a manual defrost also resets the automatic defrost timer. The next automatic defrost will start 12 hours after the manual defrost has finished.**

## Cabinet and Controller Operation Instruction

### The front panel of the thermostat



1. Compressor operation light
2. Defrosting light
3. Energy saving light
4. Stand-by light
5. Programming key (service agent only)
6. Machine On/Stand-by (keep pushed)
7. Manual defrost (keep pushed)

### How to unlock the keyboard (»Loc« message)

- Push any button for more than 2s, «UnL» message will appear and the keyboard will be unlocked.

Note: for safety reasons the keyboard locks automatically after 30s of keys inactivity.  
To execute any operation, please unlock the keyboard first.

### How to see and modify the set point

- Push and immediately release the **SET** key, the set point will be showed and starts blinking;
- To change the set value push **^** or **v** arrows within 20s.
- To memorize the new set point value push the **SET** key again or wait 20s.

### Manual defrost

The appliance will automatically run a defrost cycle every 12 hours.

Note: the cycle starts from the time the appliance is initially powered up.

To manually defrost the appliance:

- Press and hold the DEFROST **^** button for 3s;
- The defrost cycle will start immediately and the LED illuminates. The defrost will last 20 minutes.

Note: starting a manual defrost also resets the automatic defrost timer. The next automatic defrost will start 12 hours after the manual defrost has finished.

### How to turn the machine in ON / STAND-BY status

- Press and hold the **U** key for 4s, the machine will turn from ON to STAND-BY status and vice-versa. During the button hold the **U** LED will blink to show status changing.



## CLEANING

- Unplug your appliance and remove any products to a suitable back-up showcase before cleaning.
- Take out all removable parts before cleaning.
- Clean the inner compartment (12), equipment parts and casing (4) with dry cloth. Do not allow the control panel (7), power cord with plug (5), ventilation openings (3), lamps (10, 13) or other electrical components to become wet.
- Never use corrosive detergents, wire brushes, or abrasive scourers to clean your appliance.
- Never use metal or sharp implements to remove debris.
- Dry all surfaces thoroughly.
- Use dry cloth to clean the gaskets and seals. Check them for debris to ensure the doors (11) always close properly.
- Do not remove or damage the rating label as it contains important data.

### Replacing the lamps

- Please do not replace the lamps (10, 13) yourself. Contact qualified personnel for this purpose.

## DISPOSAL INSTRUCTIONS

### Disposal of old appliances

- Disable discarded appliances by removing the plug and cutting through the power cord.
- Break any locks in order to avoid children and other persons becoming trapped. If possible, remove any doors and discard separately.
- Warning - hazardous chemicals! Do not allow children to play with the old appliance.
- Do not damage the refrigerant circuit during storage and transportation of old appliances! Make sure that the evaporator pipes, refrigerant circuit and surface coverings are not damaged. Avoid contact with the eyes as the refrigerant may cause serious eye injury.
- Do not store old appliance near heat and ignition sources. In event of leakage the refrigerant of this appliance is highly inflammable.
- Please note: the refrigeration system contains gases and refrigerants which require specialist waste disposal.

### Disposal of packaging



All packaging materials should be disposed of in an environmentally friendly way. The cardboard may be used as scrap paper. The protective foil and the foam cushions are CFC – free. Do not allow children to play with the packaging and destroy plastic bags safely. You can break or cut the cardboard into smaller pieces and give to a waste paper disposal service.



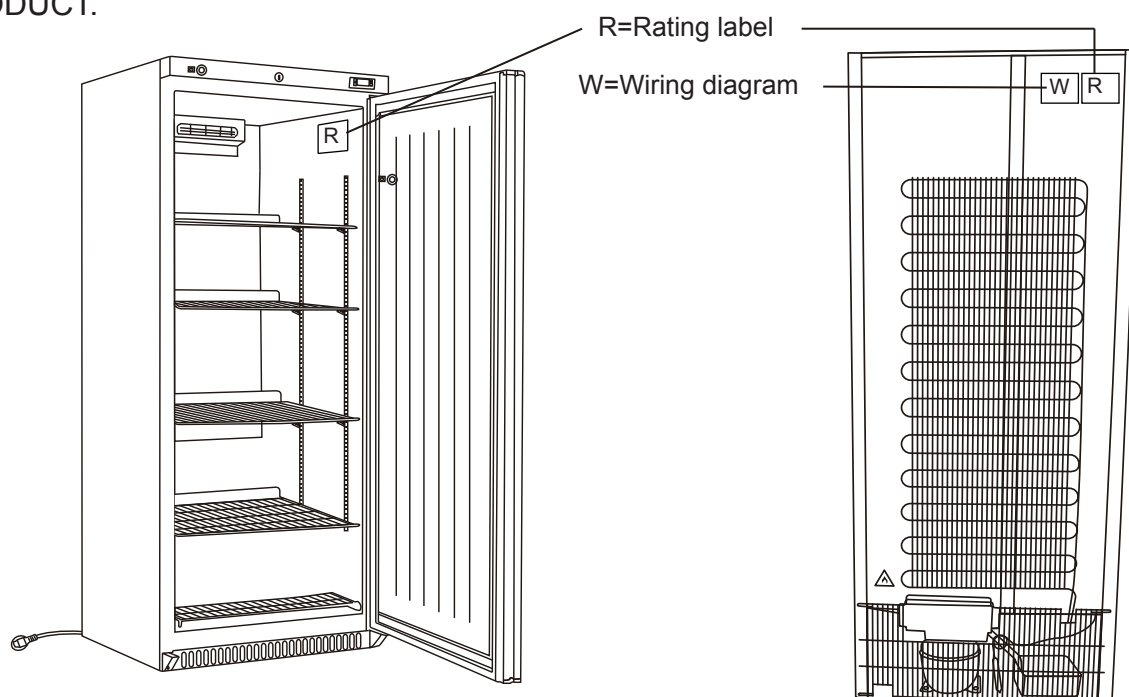
### Environmental protection

Discarded electric appliances are recyclable and should not be discarded in the domestic waste! Please actively support us in conserving resources and protecting the environment by returning this appliance to the collection centres (if available).

## TECHNICAL DATA

Refrigerator item code	CR 350	QR 350	QR 1000
Refrigerator description	Show case chiller cabinet single door	Show case chiller cabinet single door	Show case chiller cabinet double door
Rated voltage	220-240V	220V	220V
Rated frequency	50Hz	50Hz	50Hz
Climate class	4	4	4
Temperature(°C)	+1~+10	+1~+10	+1~+10
Refrigerant	R600a	R600a	R600a
Number of shelf	5	4	4

FOR TECHNICAL DETAILS AND ELECTRICAL DIAGRAM SEE LABEL ON THE BACK OF THE PRODUCT.



## WARRANTY

A statutory warranty applies for this product.

Damages caused by wrong treatment or operation, by false placement or storage, improper connection or installation as well as force or other external influences are not covered by this warranty. We recommend careful reading of the operating instructions as it contains important information.

### Note:

1. In case this product does not function correctly, please firstly check if there are other reasons, e.g. for electrical appliances interruption of the power supply, or generally incorrect handling are the cause.
2. Please note that, where possible, the following documents or rather information should be provided together with your faulty product:
  - Purchase receipt
  - Model description/Type/Brand
  - Describe the fault and problem as detailed as possible

In the case of a claim for guarantee or defects, please contact the seller.

GWL 8/14 EN