

Ice-O-Matic®

Ice. Pure and Simple™

SERVICE PARTS MANUAL
The ICE Series Undercounter Cubers
MODEL-ICEU150A4,A5,A6-W4,W5,W6
ICEU220A2,A3-W2,W3
ICEU225A2,A3-W2,W3 ICEU226A2,A3-W2,W3



14-1016

Date 1/17/17

This parts list contains the service parts available for the following ICE Undercounter icemakers:

ICEU150A4,A5,A6-W4,W5,W6

ICEU220A2,A3-W2,W3

ICEU225A2,A3-W2,W3

ICEU226A2,A3-W2,W3

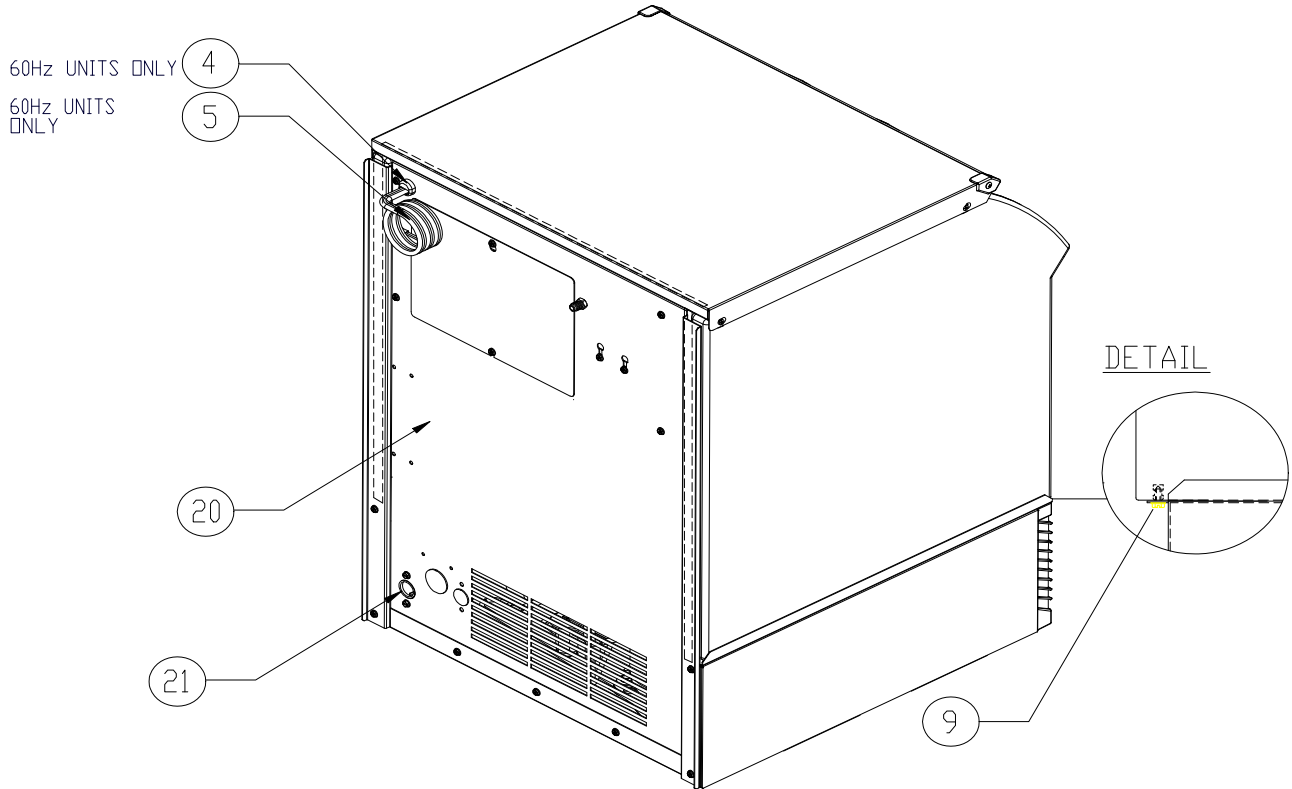
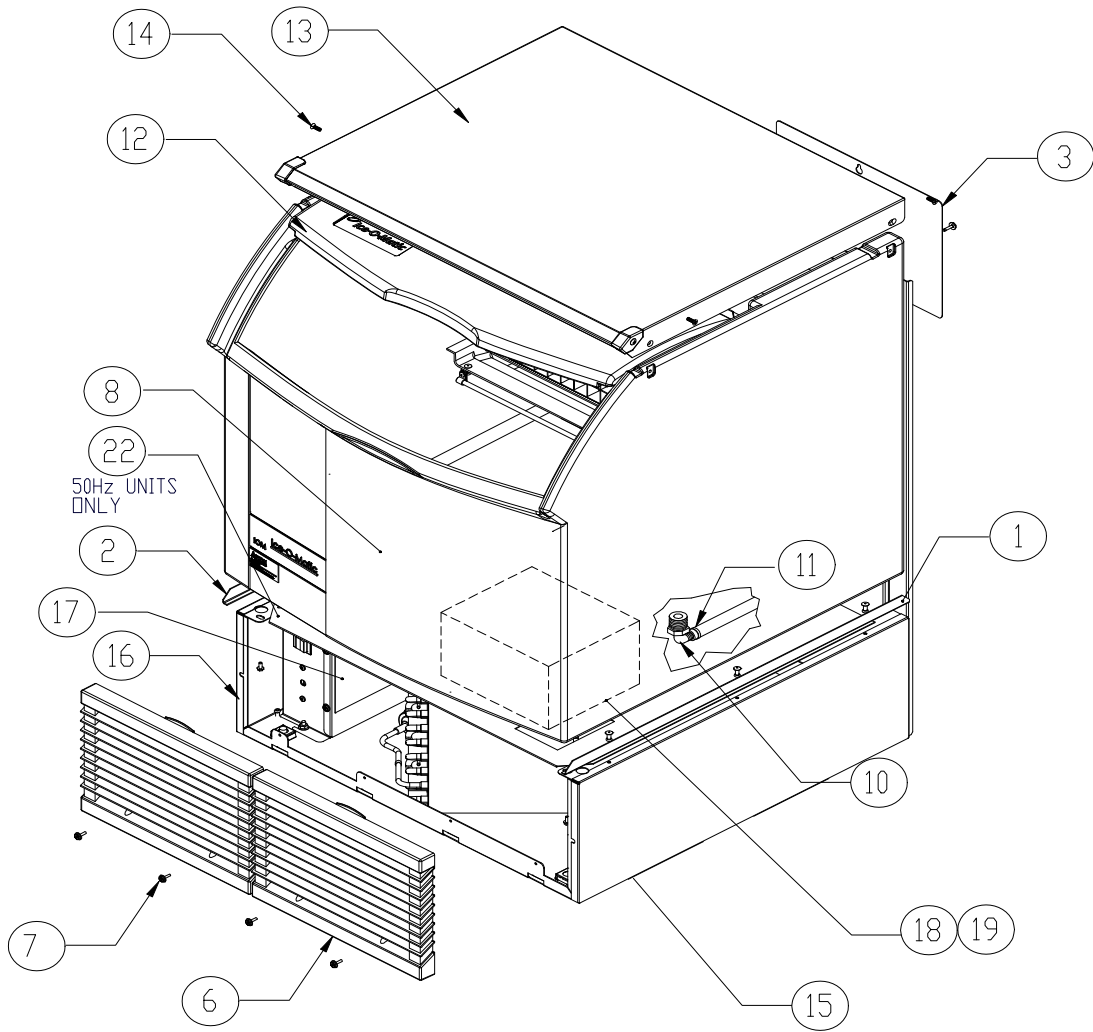
Check the model number on the data plate and refer to the correct listing for the specific component.

Check carefully that the correct part is identified and ordered.

| | |
|-----------------------------|------------|
| Table of Contents | Page 1 |
| Bin and Exterior Components | Page 2 - 3 |
| Refrigeration System | Page 4 - 5 |
| Harvest Assist Assembly | Page 6 |
| Control Box | Page 7 |
| Evaporator | Page 8 |
| Water Pump | Page 9 |

Ice-O-Matic
11100 East 45th Ave.
Denver Co. 80239
800-423-3367

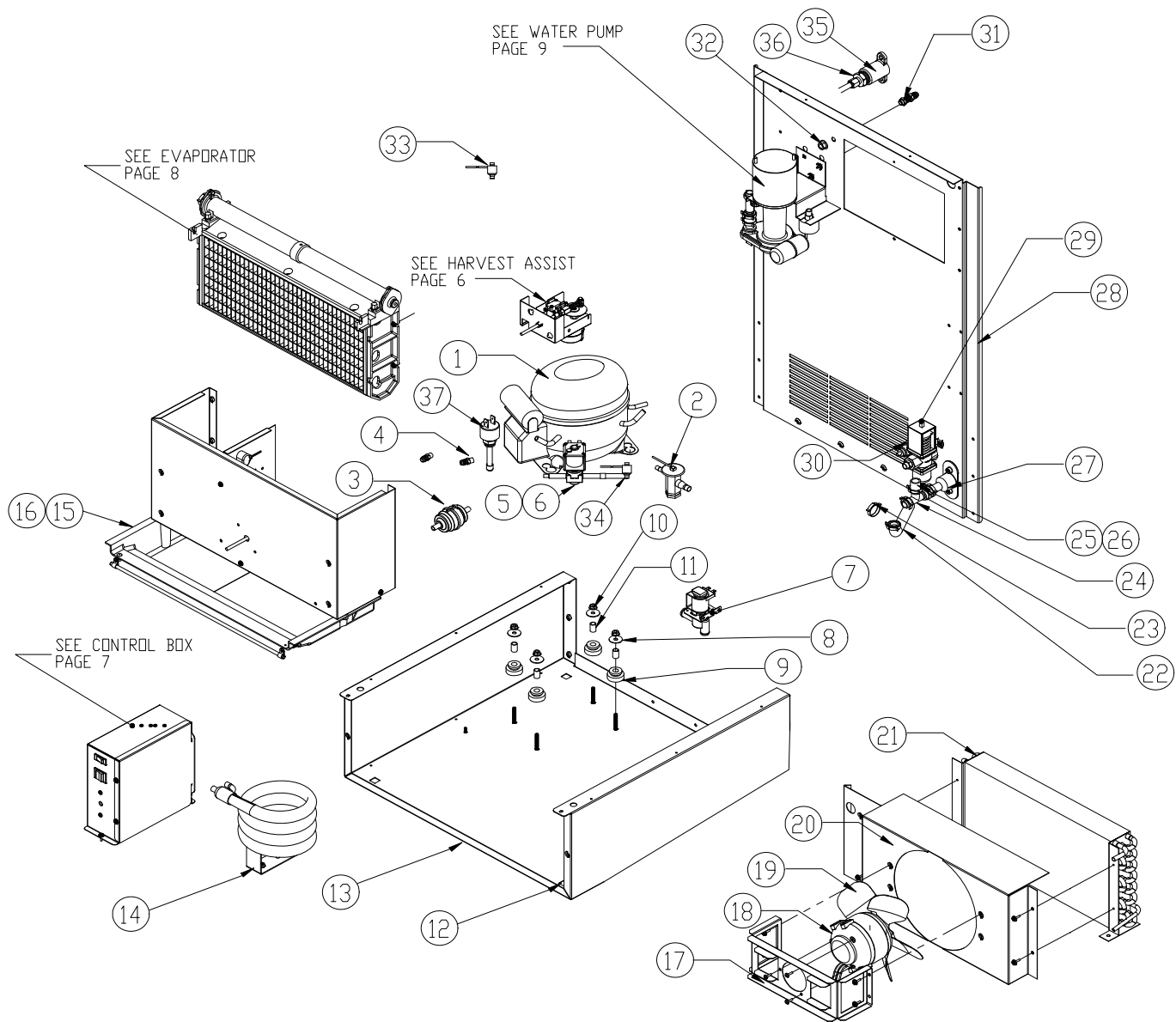
The ICE Series Service Manual is available separately, Part Number 9081270-01



ICE Undercounter Service Parts

Bin and Exterior Components

| Item | ICEU150 | ICEU220 | ICEU225 | ICEU226 | Description |
|------|------------|------------|------------|------------|---|
| 1 | 3021875-01 | 3021875-01 | 3021875-01 | 3021875-01 | Trim Strip RH |
| 2 | 3021875-02 | 3021875-02 | 3021875-02 | 3021875-02 | Trim Strip LH |
| 3 | 3012149-01 | 3012149-01 | 3012149-01 | 3012149-01 | Panel, Rear Access |
| 4 | 9121015-04 | 9121015-04 | 9121015-04 | 9121015-04 | Strain Relief |
| 5 | 9101242-01 | 9101242-01 | 9101242-01 | 9101242-01 | Power Cord (115 Volt units only) |
| 6 | 9051530-01 | 9051530-01 | 9051530-01 | 9051530-01 | Front Grill (2 required, sold each) |
| 7 | 9031046-03 | 9031046-03 | 9031046-03 | 9031046-03 | Front Grill Screw |
| 8 | 2101419-01 | 2101419-01 | 2101419-01 | 2101419-01 | Bin Assembly (Includes Item 10) |
| 9 | 9031112-01 | 9031112-01 | 9031112-01 | 9031112-01 | Screw Hex Head |
| 10 | 9091122-02 | 9091122-02 | 9091122-02 | 9091122-02 | Drain Elbow |
| 11 | 9021010-04 | 9021010-04 | 9021010-04 | 9021010-04 | Clamp |
| 12 | 2101417-01 | 2101417-01 | 2101417-01 | 2101417-01 | Bin Door Assembly |
| | 9051534-01 | 9051534-01 | 9051534-01 | 9051534-01 | Bin Door |
| | 9031122-03 | 9031122-03 | 9031122-03 | 9031122-03 | Thumb Screw |
| | 3013249-01 | 3013249-01 | 3013249-01 | 3013249-01 | Door Stop |
| 13 | 2101426-01 | 2101426-01 | 2101426-01 | 2101426-01 | Bin Top Assembly |
| | 9051573-02 | 9051573-02 | 9051573-02 | 9051573-02 | Plastic Corner Cap Left Side |
| | 9051573-01 | 9051573-01 | 9051573-01 | 9051573-01 | Plastic Corner Cap Right Side |
| | 9031098-02 | 9031098-02 | 9031098-02 | 9031098-02 | Truss Head Sheet Metal Screw-Plastic Corner |
| 14 | 9031023-10 | 9031023-10 | 9031023-10 | 9031023-10 | Top Panel Screw |
| 15 | 3021874-01 | 3021874-01 | 3021874-01 | 3021874-01 | Right Side Panel |
| 16 | 3021874-01 | 3021874-01 | 3021874-01 | 3021874-01 | Left Side Panel |
| 17 | 3013161-01 | 3013161-01 | 3013161-01 | 3013161-01 | Control Box Cover |
| 18 | 9021001-04 | 9021001-04 | 9021001-04 | 9021001-04 | Leg Set (4 each) |
| 19 | 9051127-02 | 9051127-02 | 9051127-02 | 9051127-02 | Ice Scoop |
| 20 | 2021675-01 | 2021675-01 | 2021675-01 | 2021675-01 | Rear Panel |
| 21 | 9091140-01 | 9091140-01 | 9091140-01 | 9091140-01 | Drain Fitting |
| 22 | N/A | N/A | 3013319-01 | N/A | Cover Base Panel |
| 24 | 9031162-01 | 9031162-01 | 9031162-01 | 9031162-01 | Thumb Nut Three Prong |



| Item | ICEU150 | ICEU220 | ICEU225 | ICEU226 | Description |
|------|---------------|-------------|-------------|-------------|--|
| 1 | 9181115-12* | 9181115-12 | 9181115-13 | 9181115-14 | Compressor (*Part Number Changed) |
| 2 | 9151156-101** | 9151156-101 | 9151156-101 | 9151156-101 | Expansion Valve-Danfoss(**Part Number Changed) |
| 3 | 9151163-01 | 9151163-01 | 9151163-01 | 9151163-01 | Drier (Replaces 9151004-02) |
| 4 | 9091086-01 | 9091086-01 | 9091086-01 | 9091086-01 | Service Valve Body |
| | 9091086-02 | 9091086-02 | 9091086-02 | 9091086-02 | Service Valve Core |
| | 9091086-03 | 9091086-03 | 9091086-03 | 9091086-03 | Service Valve Cap |
| 5 | 9151123-06 | 9151123-06 | 9151123-06 | 9151123-06 | Hot Gas Valve Body |
| 6 | 9151123-03 | 9151123-03 | 9151123-04 | 9151123-04 | Hot Gas Valve Coil |
| 7 | 9041105-04 | 9041105-04 | 9041105-05 | 9041105-05 | Purge Valve (Replaces 9041086 Purge Valve) |

The ICEU150 Compressors 9181115-11 (ASB14C3E-IAA) is NLA and 9181148-11 (ASE14C4E-IAA) is NLA.
 Replaced by 9181115-12 (ASE24C3E-IAA)
 See Page 5 for Compressor Components (Reference Compressor for Starting Components)

The Expansion Valve has been changed to a more efficient model.
 Part Number 9151157-101 is NLA, Replaced by 9151156-101

| Item | ICEU150 | ICEU220 | ICEU225 | ICEU226 | Description |
|------|-------------------|-------------------|-------------------|-------------------|---|
| 8 | 9031004-02 | 9031004-02 | 9031004-02 | 9031004-02 | Flat Washer |
| 9 | 9181002-10 | 9181002-10 | 9181002-10 | 9181002-10 | Grommet |
| 10 | 9031118-02 | 9031118-02 | 9031118-02 | 9031118-02 | Lock Nut |
| 11 | 9181002-11 | 9181002-11 | 9181002-11 | 9181002-11 | Sleeve Compressor Mounting |
| 12 | 9031012-02 | 9031012-02 | 9031012-02 | 9031012-02 | Lock Nut (Leg) |
| 13 | 2021673-01 | 2021673-01 | 2021673-01 | 2021673-01 | Base Assembly |
| 14 | 9141022-01 | 9141022-01 | 9141022-01 | 9141022-01 | Water Condenser |
| | 9091063-02 | 9091063-02 | 9091063-02 | 9091063-02 | Condenser Water Out Fitting |
| 15 | 2101151-01 | 2101151-01 | 2101151-01 | 2101151-01 | Water Trough Assembly |
| 15 | 9051149-02 | 9051149-02 | 9051149-02 | 9051149-02 | Water Trough From SN11121280010581 |
| 15A | 9031122-02 | 9031122-02 | 9031122-02 | 9031122-02 | Water Trough Screws |
| 15B | 9031004-19 | 9031004-19 | 9031004-19 | 9031004-19 | Rubber Washer |
| 16 | 9031122-02 | 9031122-02 | 9031122-02 | 9031122-02 | Water Trough Screws |
| 17 | 3013250-01 | 3013250-01 | 3013250-01 | 3013250-01 | Fan Bracket |
| 18 | 9161028-01 | 9161112-01 | 9161112-02 | 9161112-02 | Fan Motor |
| 18 | 9161112-01 | | | | Fan Motor (From Serial Number 12061280012536) |
| 19 | 9131446-01 | 9131446-01 | 9131446-01 | 9131446-01 | Fan Blade |
| 20 | 3013254-01 | 3013254-01 | 3013254-01 | 3013254-01 | Fan Shroud |
| 21 | 9141126-01 | 9141126-01 | 9141126-01 | 9141126-01 | Air Condenser |
| 22 | 9051280-08 | 9051280-08 | 9051280-08 | 9051280-08 | Purge Drain Tube |
| 23 | 9021010-05 | 9021010-05 | 9021010-05 | 9021010-05 | Hose Clamp |
| 24 | 9091024-01 | 9091024-01 | 9091024-01 | 9091024-01 | Barbed Tee |
| 25 | 3051222-20 | 3051222-20 | 3051222-20 | 3051222-20 | Tubing 9/16 x 20 Inches Long |
| 26 | 9021010-04 | 9021010-04 | 9021010-04 | 9021010-04 | Hose Clamp |
| 27 | 9091140-01 | 9091140-01 | 9091140-01 | 9091140-01 | Drain Adapter |
| 28 | 2021675-01 | 2021675-01 | 2021675-01 | 2021675-01 | Rear Panel |
| 29 | 9041059-01 | 9041059-01 | 9041059-01 | 9041059-01 | Water Regulator |
| 30 | 9091063-02 | 9091063-02 | 9091063-02 | 9091063-02 | Drop Adapter Fitting |
| 31 | 9091135-01 | 9091135-01 | 9091135-01 | 9091135-01 | Water inlet Fitting |
| 32 | 9031118-05 | 9031118-05 | 9031118-05 | 9031118-05 | Flanged Lock Nut |
| 33 | 9041087-03 | 9041087-03 | 9041087-03 | 9041087-03 | High Temperature Safety Control |
| 34 | 9041098-01 | 9041098-01 | 9041098-01 | 9041098-01 | High Temp Safety Control- From SN 10041280011405 |
| 35 | 9091074-01 | 9091074-01 | 9091074-01 | 9091074-01 | Drop Adapter Fitting- From SN 10041280011405 |
| 36 | 9091083-01 | 9091083-01 | 9091083-01 | 9091083-01 | Water Inlet Body* -From SN 10041280011405 |
| | 9091083-03 | 9091083-03 | 9091083-03 | 9091083-03 | Water Inlet Nut** -From SN 10041280011405 |
| 37 | 9041091-01 | 9041091-01 | 9041091-01 | 9041091-01 | High Pressure Control- From SN 10041280011405 |
| 38 | 2021703-01 | 2021703-01 | 2021703-01 | 2021703-01 | Bin Stat Bracket Assy, From SN11121280010581 |
| 39 | 3032819-01 | 3032819-01 | 3032819-01 | 3032819-01 | Tube, Bin Control, From SN1112180010581 |

*Note 9091083-01 is the Water Inlet Body Only, it DOES NOT include 9091083-03 Nut

**Note 9091083-03 is the Nut Only, it DOES NOT include the 9091083-01 Water Inlet Body

| ICEU150 | ICEU220 | ICEU225 | ICEU226 | Description |
|------------|------------|------------|------------|--------------------------------------|
| 9181115-12 | 9181115-12 | 9181115-13 | 9181115-14 | Compressor |
| 9181005-38 | 9181005-38 | 9181005-40 | 9181005-41 | Overload |
| 9181003-43 | 9181003-43 | 9181003-29 | 9181003-41 | Start Capacitor |
| 9181004-24 | 9181004-24 | 9181004-20 | 9181004-28 | Compressor Relay |
| 9181148-11 | | | | Compressor (ASE14C4E-IAA) NLA |
| 9181005-45 | | | | Overload |
| 9181003-53 | | | | Start Capacitor |
| 9181004-30 | | | | Compressor Relay |
| 9181115-11 | | | | Compressor (ASB14CE-IAA) NLA |
| 9181005-42 | | | | Overload |
| 9181003-43 | | | | Start Capacitor |
| 9181004-24 | | | | Compressor Relay |

*Note: When installing a 9181115-12 Compressor, it is recommended that the 9161112-01 Fan Motor be installed.

Reference the Model Number below for the specific Harvest Assist Assembly

| Item | ICEU150 | ICEU220 | ICEU225 | ICEU226 | Description |
|------|---------------|---------------|---------------|---------------|--|
| | 1051210-05A* | 1051210-05A* | 1051210-0A7* | 1051210-07A* | Harvest Assist Assembly - 60 Degree Clutch |
| | 2061962-05S* | 2061962-05S* | 2061962-07S* | 2061962-07S* | No Longer Available |
| | 1051210-01A** | 1051210-01A** | 1051210-02A** | 1051210-02A** | Harvest Assist Assembly - See Note Below |
| | 2061962-01S** | 2061962-01S** | 2061962-02S** | 2061962-02S** | No Longer Available |

*Note, Prior to November of 2012 (SN1211)

**Note, From November 2012 (SN1211)

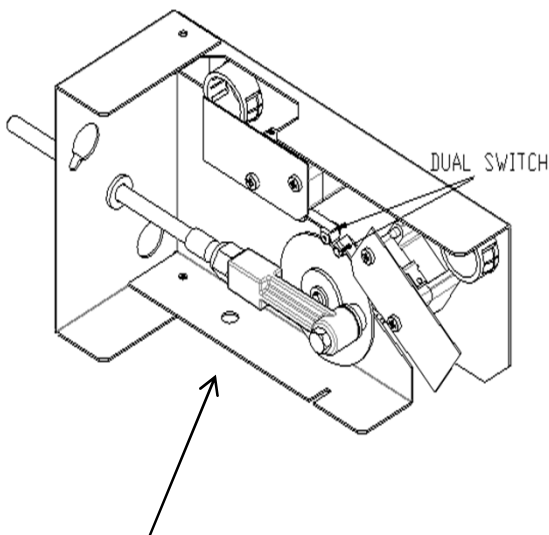


- The **1051210-XXA** assembly will fit all ICE Models from October 1999 and EC Models.
- Units installed with a double cam switch, either Field installed or Factory installed will require the complete assembly and a potential wiring change as per the New Wiring Diagram included with the assembly.
- Individual component parts are not available for the **1051210-XXA** assembly.
- Individual component parts are No Longer Available for previous version of the Harvest Assist Assembly
- Parts for the **2061962-XX** Harvest Assist Assembly are not compatible with **1051210-XXA** Harvest Assist Assembly.
- Proper assembly and alignment of the parts is critical to proper operation, this includes cam and probe alignment.
- If a **1051210-XXA** assembly fails, it must be returned to Ice-O-Matic.

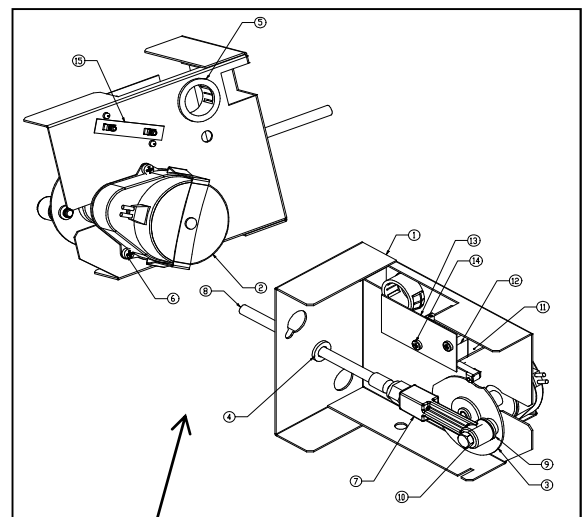
1051210-XXA are only supplied as complete assemblies, individual components are not available.

Please reference the above Model Numbers to insure the correct assembly is supplied

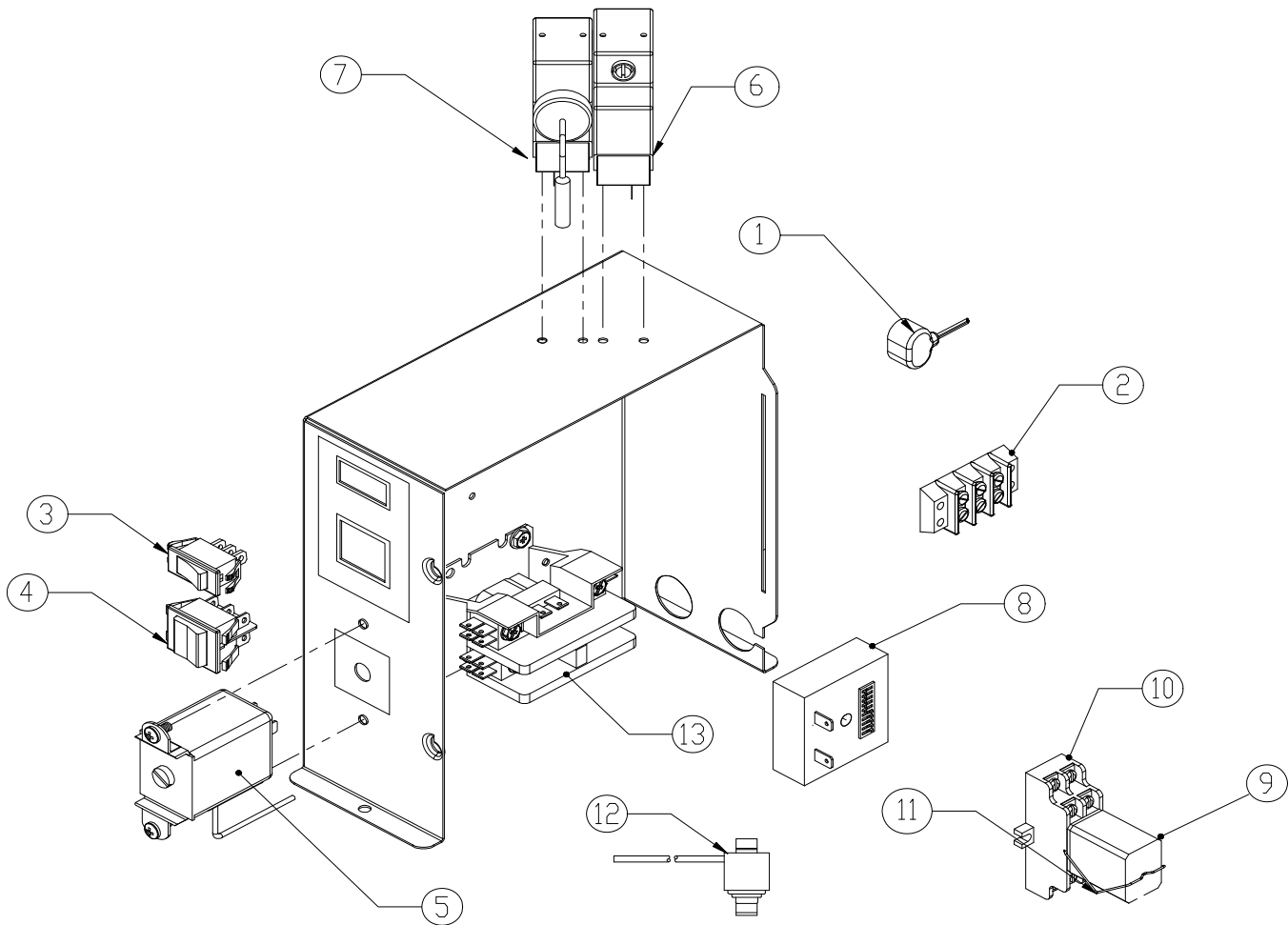
THE DUAL CAM SWITCH HARVEST ASSIST ASSEMBLIES ARE NO LONGER AVAILABLE



| |
|--------------------------------|
| 1051199-01 No Longer Available |
| 1051200-01 No Longer Available |
| 1051201-01 No Longer Available |
| 1051202-01 No Longer Available |
| 1051207-01 No Longer Available |

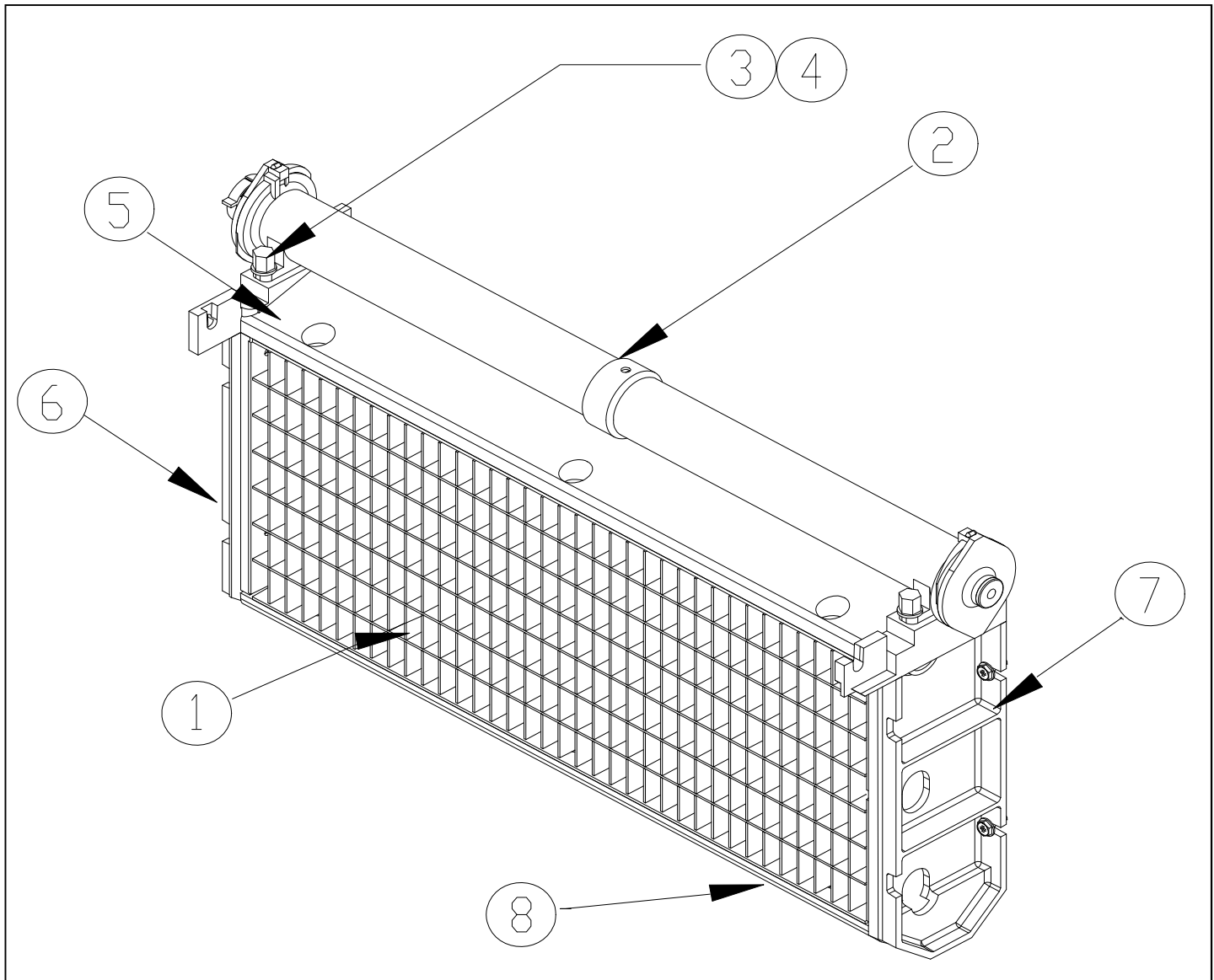


| |
|---------------------------------|
| 2061962-01S No Longer Available |
| 2061962-05S No Longer Available |
| 2061962-07S No Longer Available |

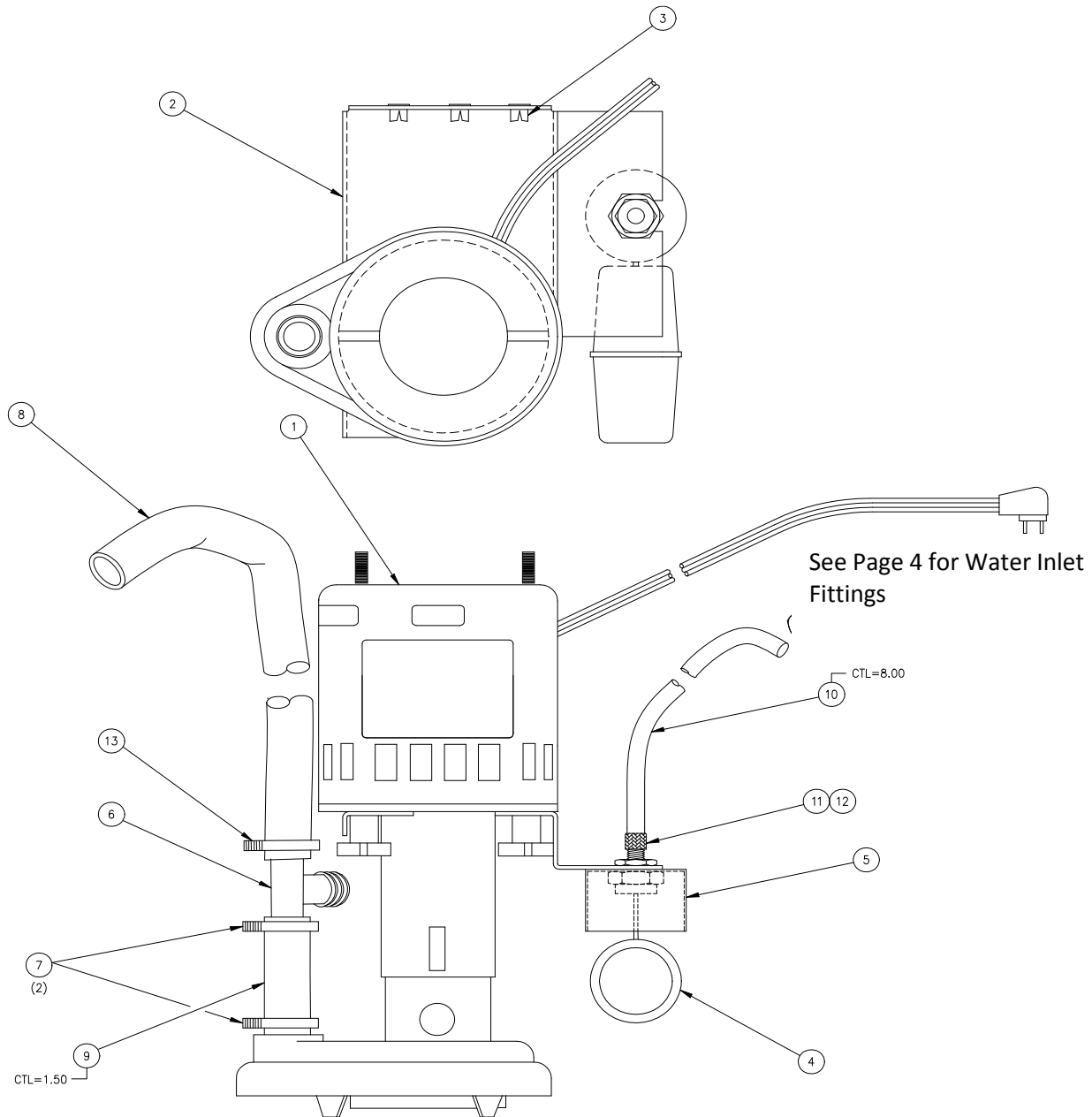


| Item | ICEU150 | ICEU220 | ICEU225 | ICEU226 | Description |
|------|--------------|--------------|--------------|--------------|--|
| 1 | 9101218-01 | 9101218-01 | 9101218-01 | 9101218-01 | Water Pump Connector |
| 2 | 9101037-01 | 9101037-01 | 9101037-01 | 9101037-01 | Terminal Block |
| 3 | 1051208-01 | 1051208-01 | 1051208-01 | 1051208-01 | Switch-Purge (Prior to SN1407 is NLA) |
| 3 | 9101348-01 | 9101348-01 | 9101348-01 | 9101348-01 | Switch-Purge (From SN1407 is NLA) |
| 3 | 9101139-03 | 9101139-03 | 9101139-03 | 9101139-03 | Switch-Purge |
| 4 | 9101349-01 | 9101349-01 | 9101349-01 | 9101349-01 | Ice/Off/Wash Switch (NLA) |
| 4 | 9101195-01 | 9101195-01 | 9101195-01 | 9101195-01 | Ice/Off/Wash Switch |
| 5 | 9041097-01 | 9041097-01 | 9041097-01 | 9041097-01 | Thermostat-Bin Control |
| 6 | 9041104-101A | 9041104-101A | 9041104-101A | 9041104-101A | Low Pressure Control* (Replaces 9041094-01) |
| 7 | 9041095-01 | 9041095-01 | 9041095-01 | 9041095-01 | High Pressure Control |
| 7 | 9041091-01 | 9041091-01 | 9041091-01 | 9041091-01 | High Pressure Control-From SN 10041280011405 |
| 8 | 9101148-01 | 9101148-01 | 9101148-01 | 9101148-01 | Timing Module |
| 9 | 9101084-01 | 9101084-01 | 9101084-02 | 9101084-02 | Relay |
| 10 | 9101083-01 | 9101083-01 | 9101083-01 | 9101083-01 | Socket-Relay |
| 11 | 9101083-02 | 9101083-02 | 9101083-02 | 9101083-02 | Hold Down Spring - Relay |
| 12 | 9041087-03 | 9041087-03 | 9041087-03 | 9041087-03 | High Temperature Safety Control (Suction Line Mtg) |
| 12 | 9041098-01 | 9041098-01 | 9041098-01 | 9041098-01 | High Temp Safety Control-From SN 10041280011405 |
| 13 | 9101002-07 | 9101002-07 | 9101002-06 | 9101002-06 | Contactor-From SN 10041280011405 |

*Note Includes Solvent and Adhesive



| Item | ICEU150 | ICEU220 | ICEU225 | ICEU226 | Description |
|------|-------------|-------------|-------------|-------------|--------------------------------------|
| 1 | 2051231-02S | 2051231-02S | 2051231-02S | 2051231-02S | Evaporator-Half Cube (Shown) |
| 1 | 2051231-01S | 2051231-01S | 2051231-01S | 2051231-01S | Evaporator-Full Cube |
| 2 | 2041338-01 | 2041338-01 | 2041338-01 | 2041338-01 | Water Distribution Tube |
| 3 | 9031122-01 | 9031122-01 | 9031122-01 | 9031122-01 | Thumbscrew |
| 4 | 9031004-19 | 9031004-19 | 9031004-19 | 9031004-19 | Rubber Washer |
| 5 | 9051135-05 | 9051135-05 | 9051135-05 | 9051135-05 | Spillway |
| 6 | 9051136-07 | 9051136-07 | 9051136-07 | 9051136-07 | Left Side Evaporator Mounting Panel |
| 7 | 9051136-08 | 9051136-08 | 9051136-08 | 9051136-08 | Right Side Evaporator Mounting Panel |
| 8 | 9051135-04 | 9051135-04 | 9051135-04 | 9051135-04 | Water Return |



| Item | ICEU150 | ICEU220 | ICEU225 | ICEU226 | Description |
|------|-------------|-------------|-------------|-------------|---|
| 1 | 9161076-01 | 9161076-01 | 9161076-02 | 9161076-02 | Water Pump |
| 2 | 3012847-01 | 3012847-01 | 3012847-01 | 3012847-01 | Pump Bracket |
| 3 | 9031141-01 | 9031141-01 | 9031141-01 | 9031141-01 | Plastic Nut |
| 4 | 9131111-101 | 9131111-101 | 9131111-101 | 9131111-101 | Float (9131111-101 Includes Fittings)* |
| 5 | 9131026-02 | 9131026-02 | 9131026-02 | 9131026-02 | Cap Plug |
| 6 | 9091024-01 | 9091024-01 | 9091024-01 | 9091024-01 | Plastic Barbed Tee 5/8 |
| 7 | 9021010-04 | 9021010-04 | 9021010-04 | 9021010-04 | Plastic Clamp |
| 8 | 9051280-05 | 9051280-05 | 9051280-05 | 9051280-05 | Hose PVC 9/16 (Formed) |
| 9 | 6021015-04 | 6021015-04 | 6021015-04 | 6021015-04 | Hose PVC 5/8 - 1.50 Inch Required |
| 10 | 6021032-01 | 6021032-01 | 6021032-01 | 6021032-01 | Tube-Polyethylene - 8 Inches Required |
| 11 | 9091080-01 | 9091080-01 | 9091080-01 | 9091080-01 | Barrel Fitting |
| 12 | 9091081-01 | 9091081-01 | 9091081-01 | 9091081-01 | Sleeve |
| 13 | 9021010-03 | 9021010-03 | 9021010-03 | 9021010-03 | Plastic Clamp |

*Note: The 9131111-01 is NLA, Replaced by 9131111-101 which includes fittings.