



CLASSEQ LTD

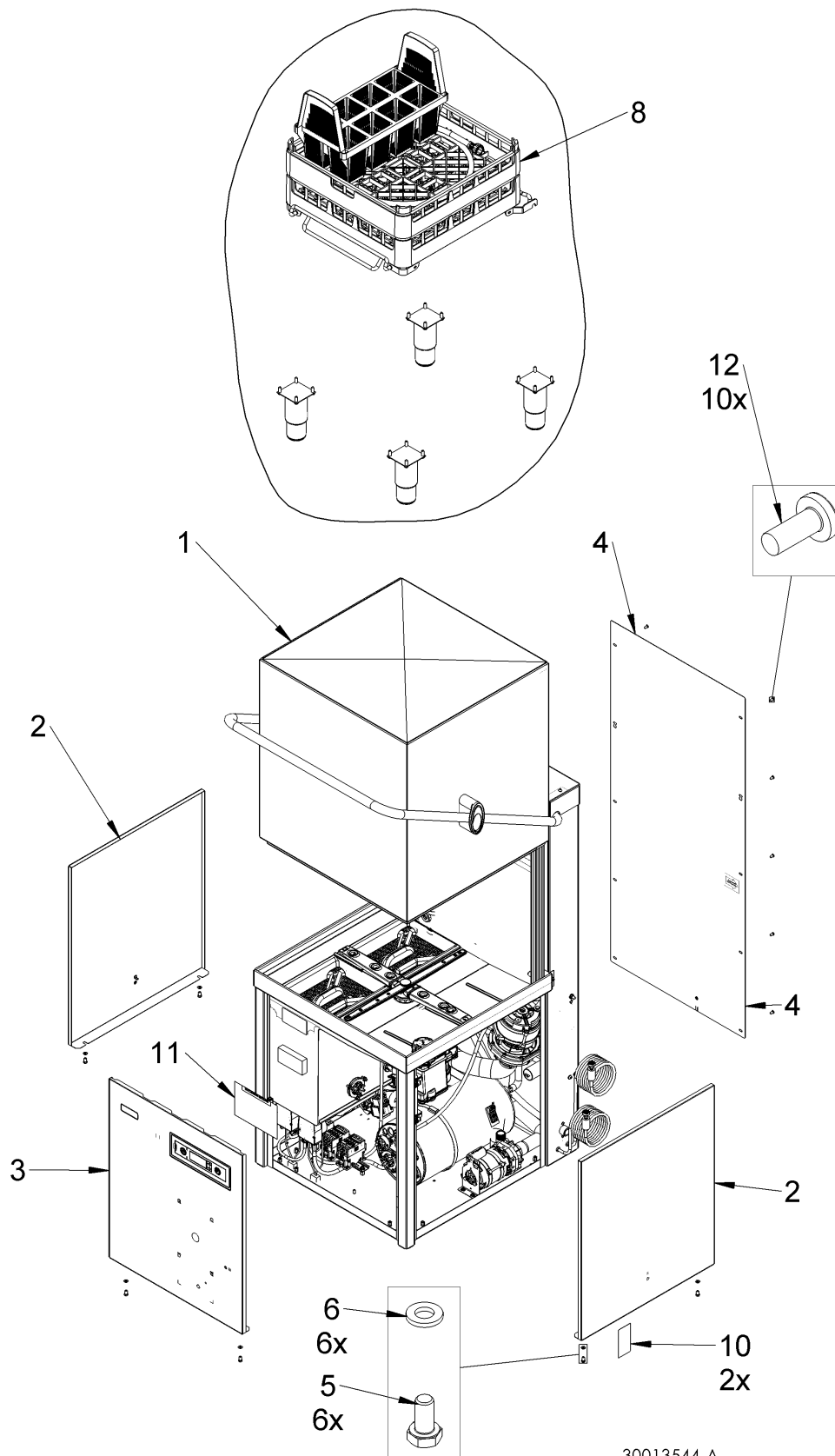
Spares manual

P500 AS WS

Table of contents for P500 AS WS

1.	Machine assembly.....	4
2.	Front panel assembly	6
3.	Front Panel	8
4.	Control unit assembly	10
5.	Frame assembly	12
6.	Hood Assembly	14
7.	Hood spring assembly	16
8.	Base assembly	18
9.	Fill system.....	20
10.	12kW - Boiler assembly.....	22
11.	Water softener air break.....	24
12.	Water softener kit (83000420)	26
13.	Rinse pump assembly (30011811)	28
14.	Wash and Rinse system	30
15.	Wash pump assembly	32
16.	Wash Boss assembly (30013519).....	34
17.	Kit Rotary arms washing (60003520).....	36
18.	Top manifold assembly	38
19.	Top manifold	40
20.	Center boss assembly	42
21.	Drain System	44
22.	Sump Drain Set.....	46
23.	Kit Drain Bottle.....	48
24.	Detergent pump assembly (30011805)	50
25.	Rinse aid pump assembly (30011806)	52
26.	Electrical Assembly.....	54
27.	Accessories.....	56
28.	500mm Dishwasher accessories	57
29.	WS accessories.....	57
30.	Mains cable	57

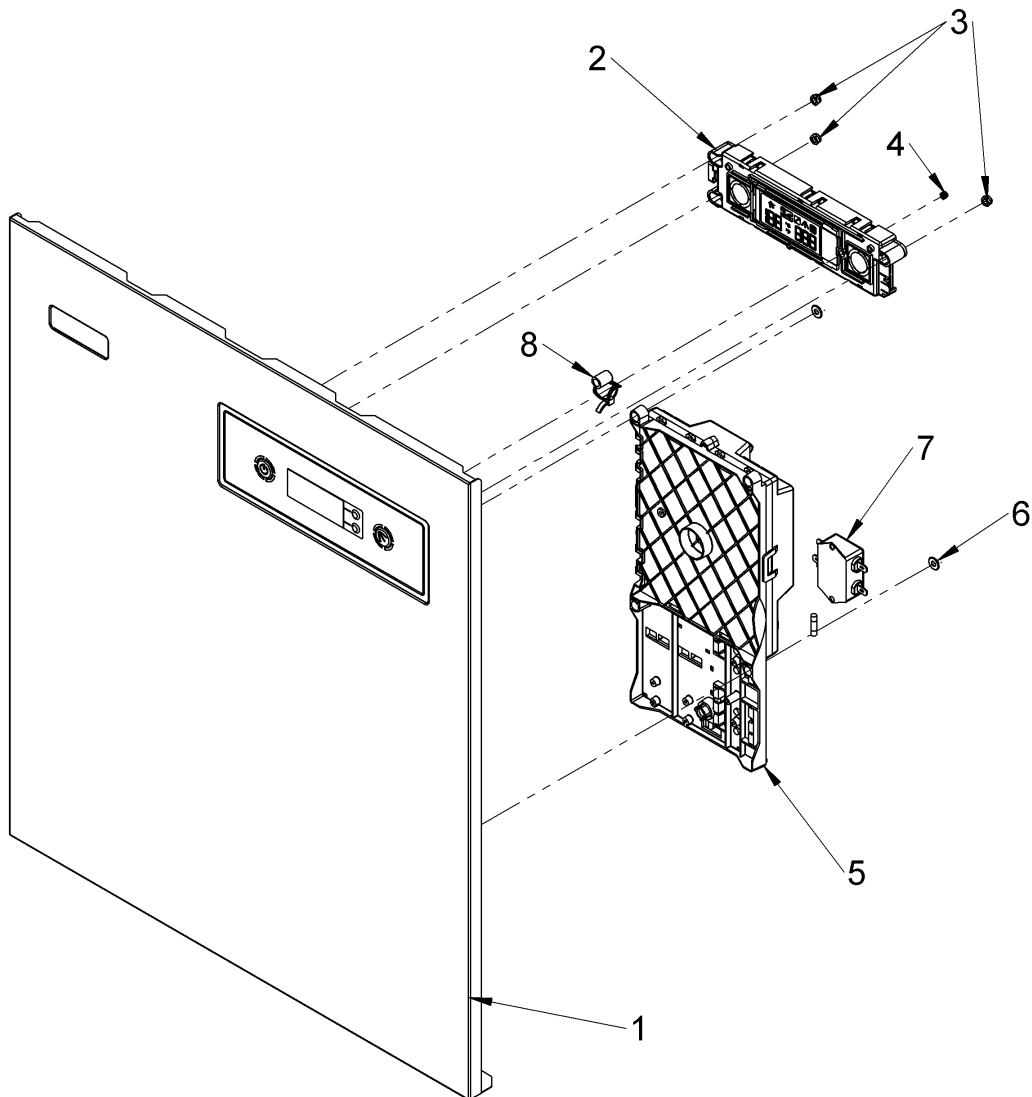
1. Machine assembly



1. Machine assembly - BOM

Item	Description	Part number	QTY.	Note
1	PT - Frame Assembly (P500-AS-WS)		1	
2	Side Panel with Earth Tab	30013559	2	
3	Front panel assembly WS	30013517	1	
4	Rear Panel with Earth Sticker	30013560	1	
5	M6 x 12 hex head screw (ISO 4017)	30008585	6	
6	M6 Flat Washer	30006287	6	
7	PT - Mains Cables		1	Not shown
8	PT - Accessories		1	
9	WS accessories kit		1	Not shown
10	Rating plate		2	
11	Document enclose envelope		1	
12	M4 x 10mm Posi pan head screw	30006293	10	

2. Front panel assembly

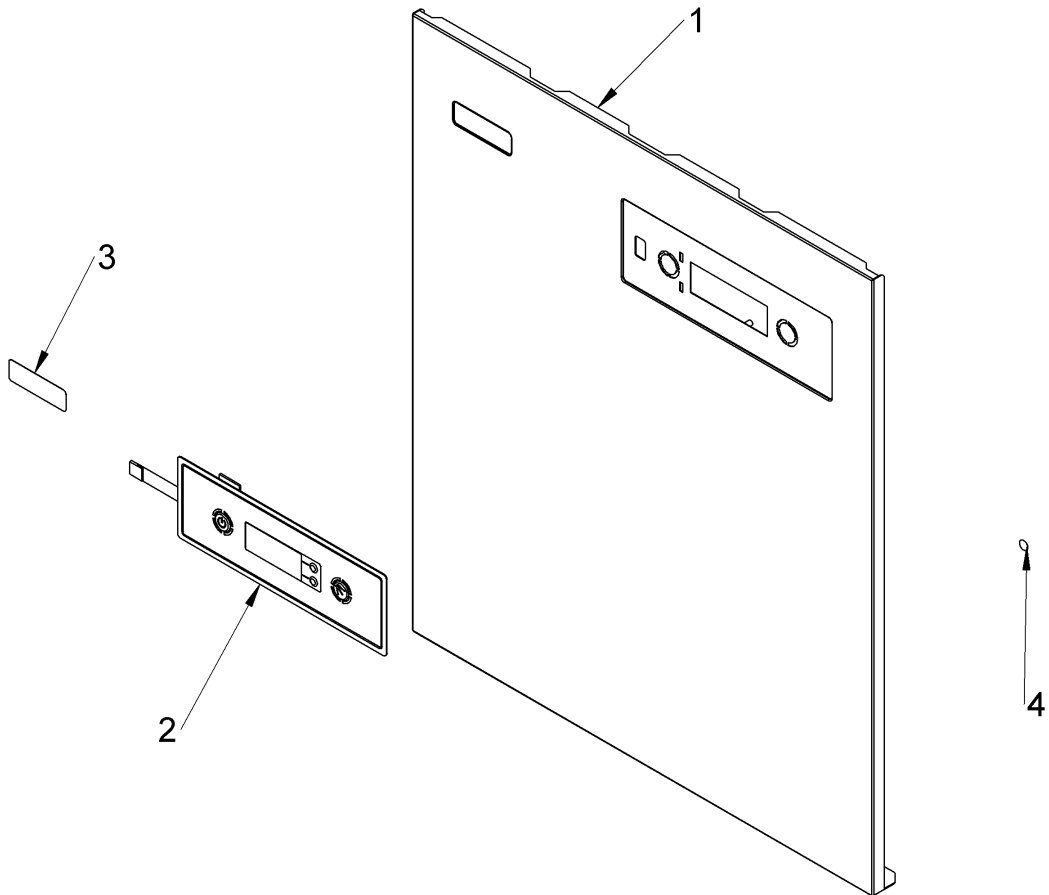


30013517-A

2. Front Panel assembly – BOM

Item	Description	Part number	QTY.	Note
1	Front Panel	30013513	1	
2	Premium UI assembly	30011403	1	
3	M5 Thin Nylock nut (ISO 10511)	30006274	3	
4	M3 Thin Nylock nut (ISO 10511)	30001051	1	
5	Control unit assembly PT WS		1	
6	M5 Flange nut (DIN 6923)	30001186	2	
7	UC Mains filter	30012203	1	
8	Cable tie	30001818	1	

3. Front Panel

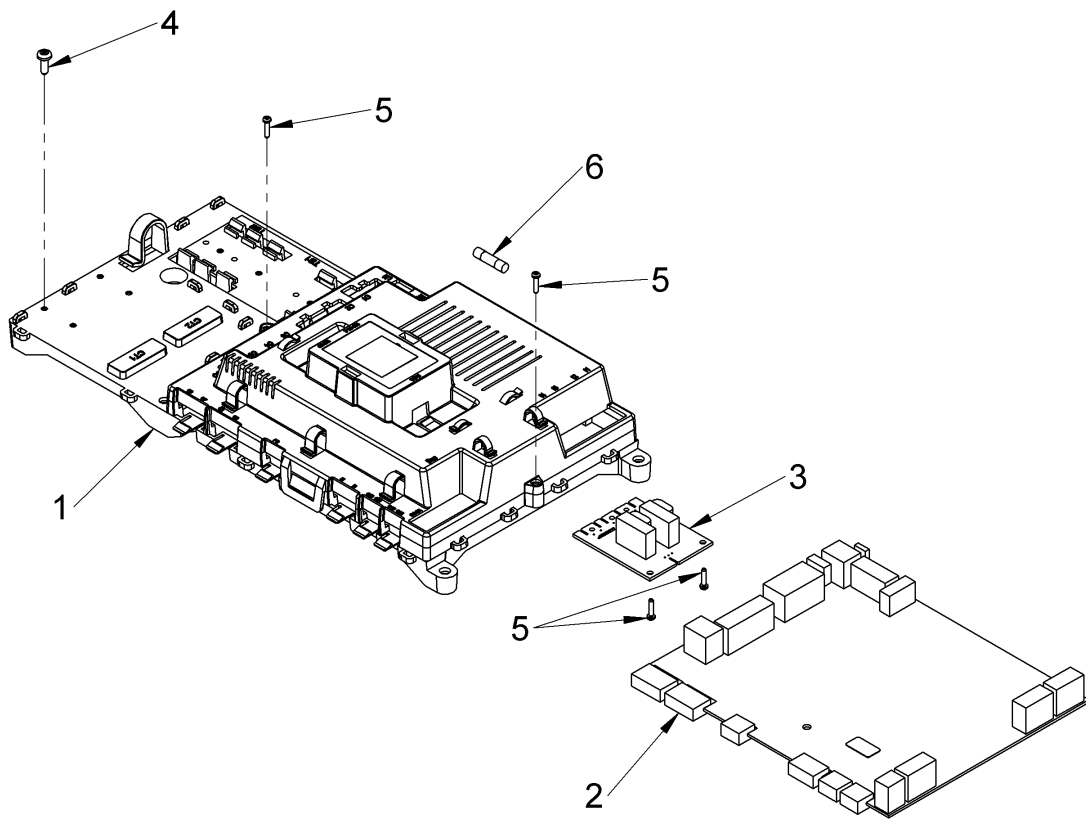


30013513-A

3. Front Panel – BOM

Item	Description	Part number	QTY.	Note
1	Front Panel with Earth Tab		1	
2	Keypad Kit	30013512	1	
3	CLASSEQ badge		1	Not available as a spare
4	Earth Sticker - Removable Parts		1	

4. Control unit assembly

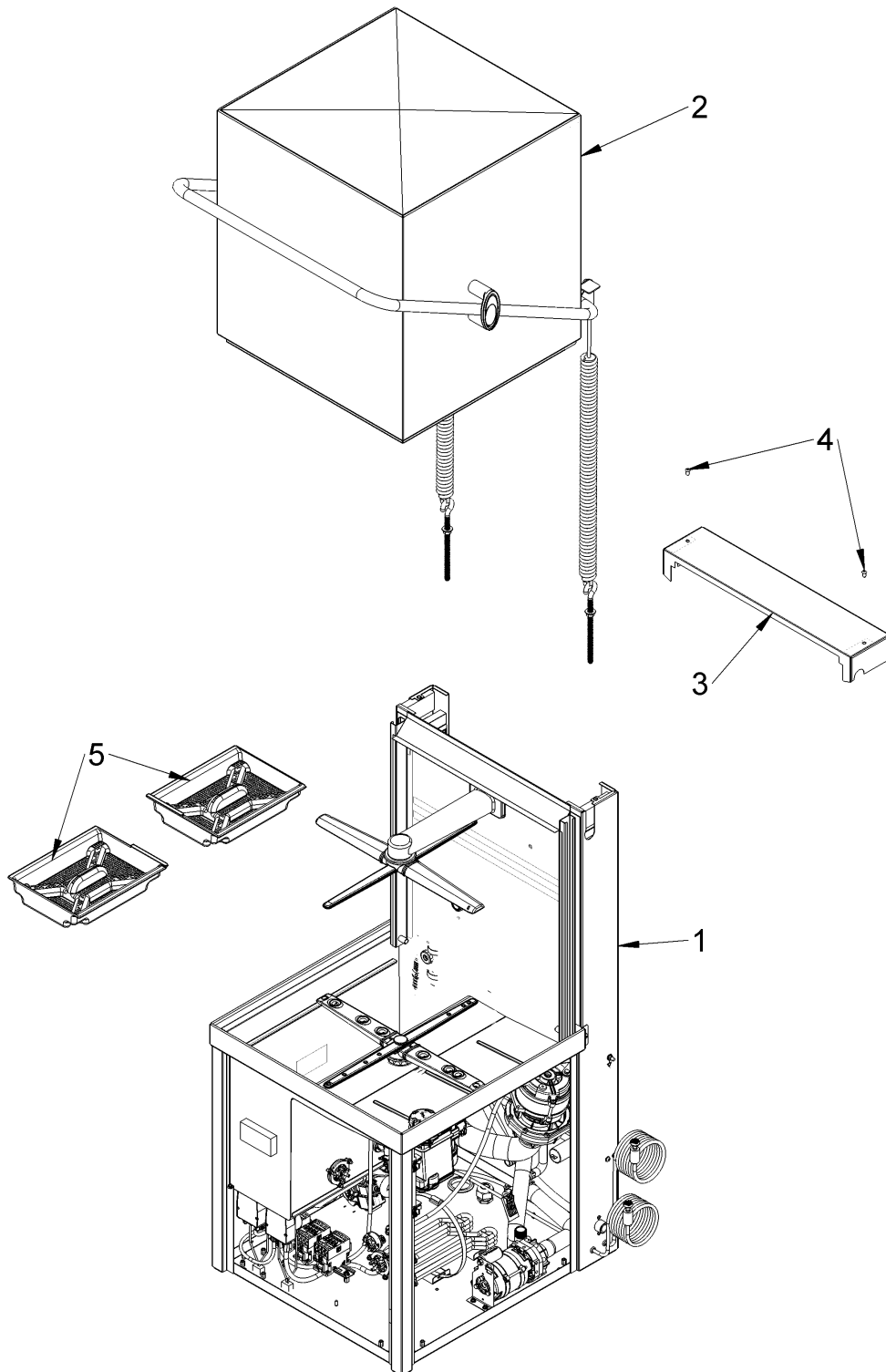


30013518-A

4. Control unit assembly – BOM

Item	Description	Part number	QTY.	Note
1	Control board enclosure assembly	30012023	1	
2	ZSE mini full assembly	30012356	1	
3	Water softener board	30011823	1	
4	3.5x10mm posi pan head PT screw	30011825	1	
5	2.5x10mm PT screw	30011824	4	
6	4 Amp Fine Fuse ZSE	3111123	1	

5. Frame assembly

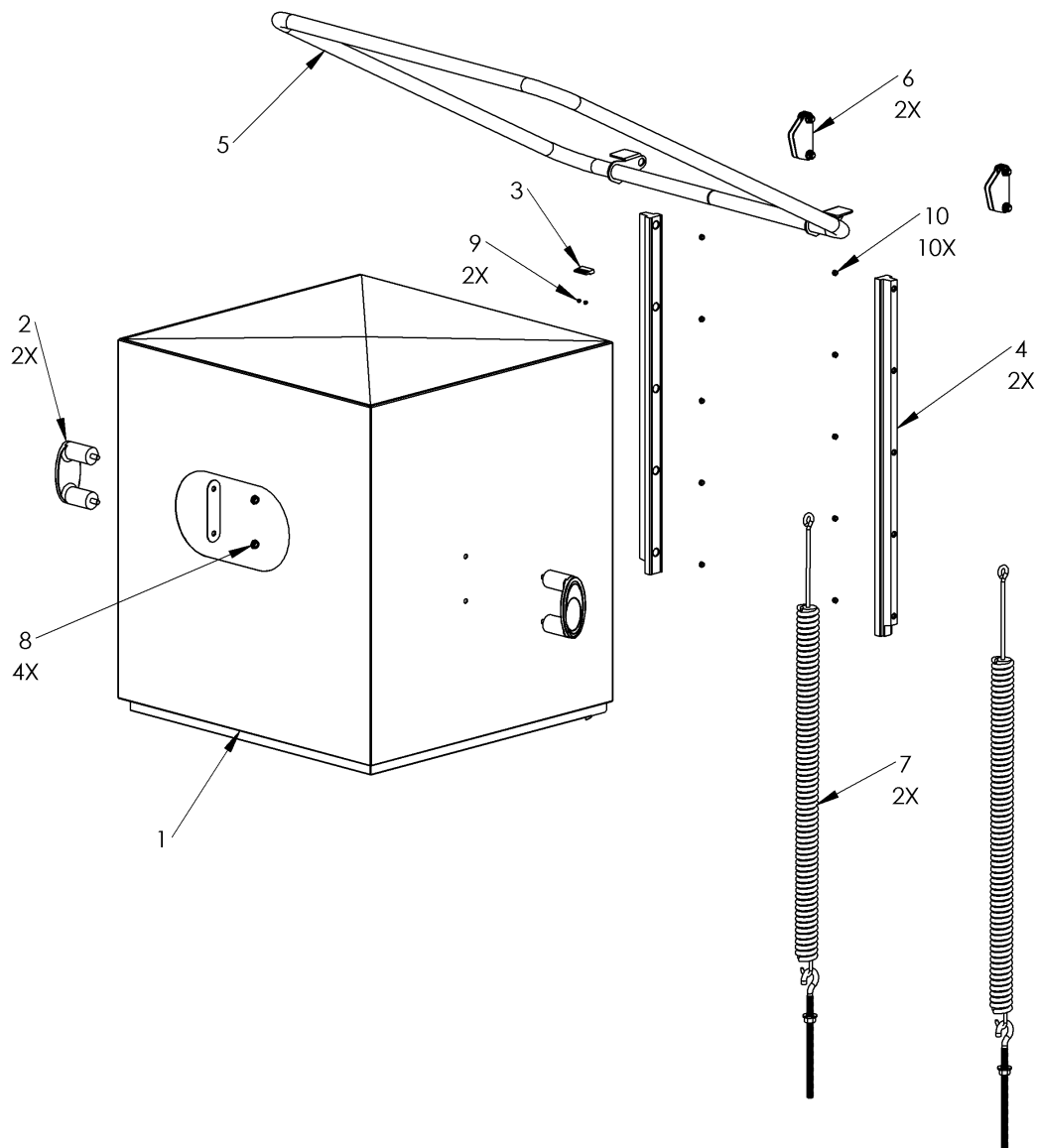


30013543-A

5. Frame assembly – BOM

Item	Description	Part number	QTY.	Note
1	PT - Base Assembly (P500-AS-WS)		1	
2	Hood Assembly		1	
3	Top Rear	30001233	1	
4	M6 x 12 Hex socket button head screw	30001063	2	
5	Wash filter - PT	30000995	2	

6. Hood Assembly

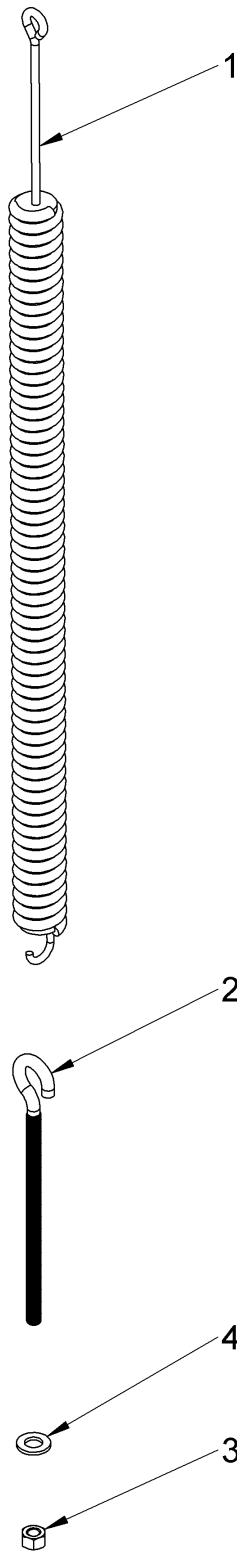


30013527-A

6. Hood assembly – BOM

Item	Description	Part number	QTY.	Note
1	Hood		1	
2	Handle guide	30001205	2	
3	Door magnet	30000981	1	
4	Hood Runner	30001204	2	
5	Hood Level assembly	30001201	1	
6	Lever Arm Assembly	61007070	2	
7	Hood Spring Mechanism	30013507	2	
8	M8 Nylock nut (ISO 10511)	30006270	4	
9	M3 Thin Nylock nut (ISO 10511)	30001051	2	
10	M5 Thin Nylock nut (ISO 10511)	30006274	10	

7. Hood spring assembly

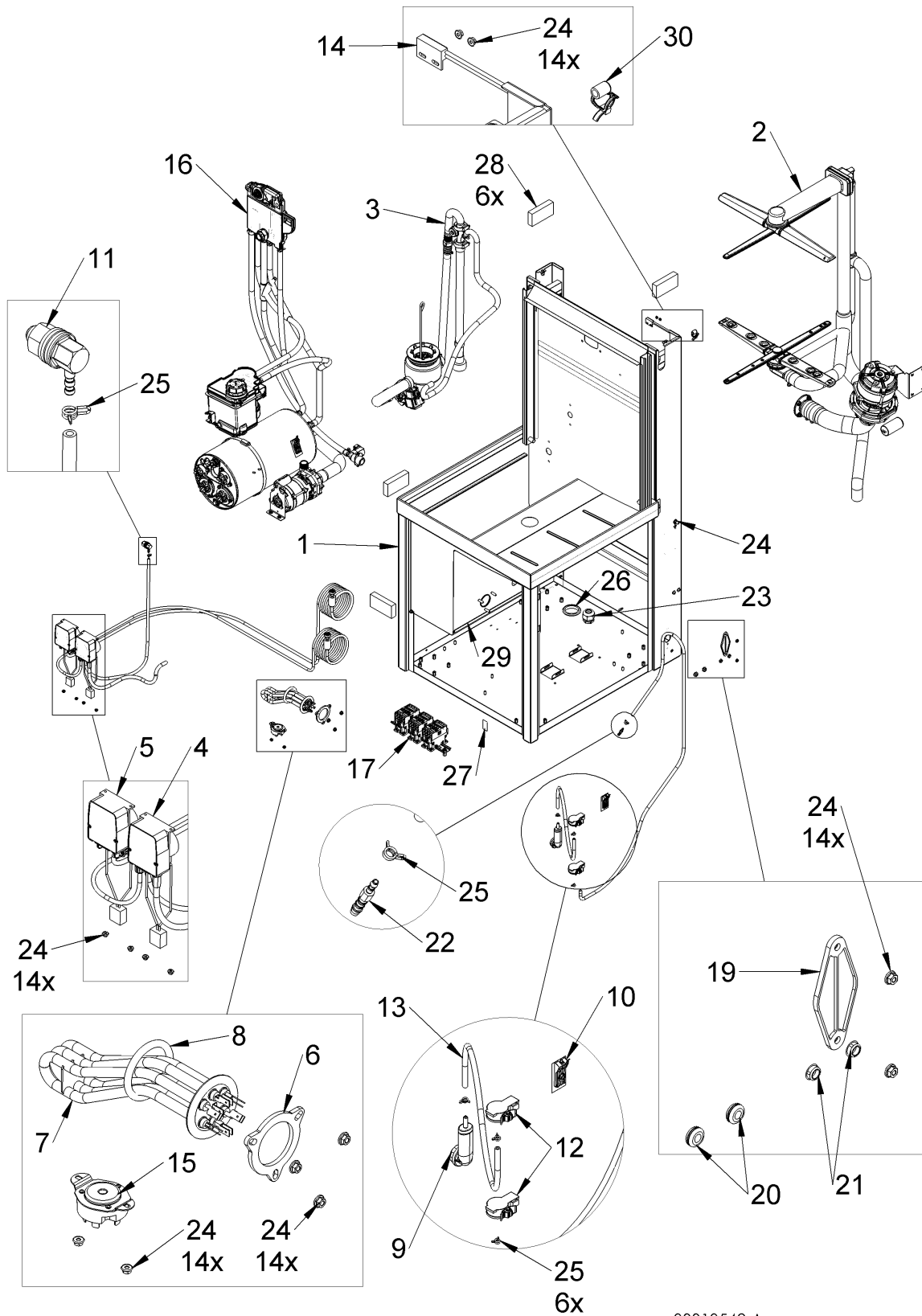


30013507-A

7. Hood spring assembly – BOM

Item	Description	Part number	QTY.	Note
1	Hood Spring		1	
2	Spring Hook Bolt	30013509	1	
3	M10 Hex nut (DIN 934)	2101306	1	
4	M12 Flat washer	30006309	1	

8. Base assembly

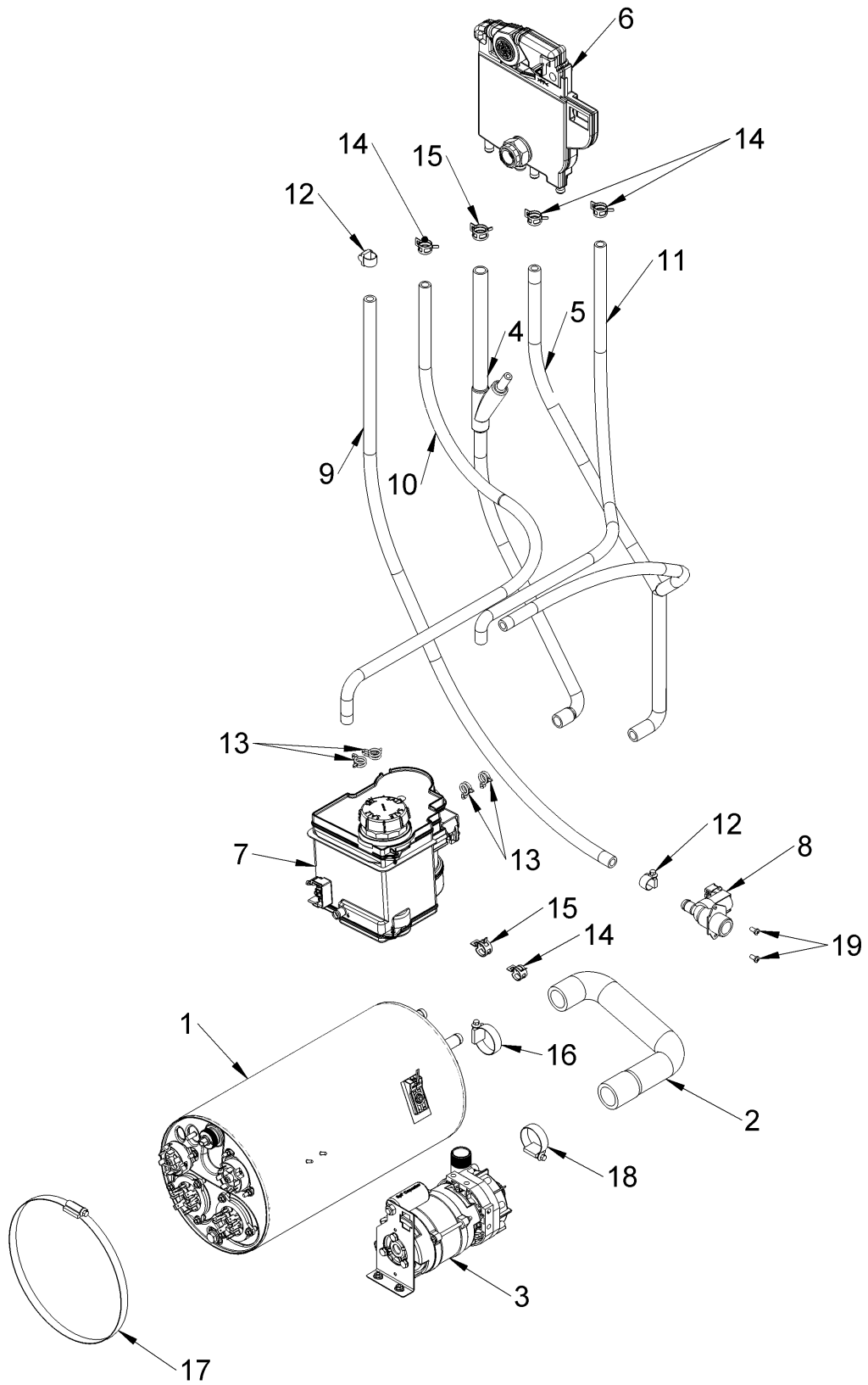


30013542-A

8. Base assembly – BOM

Item	Description	Part number	QTY.	Note
1	PT Assembly steelwork cabinet		1	
2	PT Wash and Rinse System		1	
3	PT- WS Drain system		1	
4	Rinse aid pump assembly	30011806	1	
5	Detergent Pump Assembly	30011805	1	
6	Bracket - rinse element	0117003	1	
7	4.05 kW Element - No phile	30013218	1	
8	O-Ring - Ø46 x Ø6	30000947	1	
9	Kit air pressure chamber	60003525	1	
10	Kit thermo sensor	30002179	1	
11	Detergent inlet fitting	30011822	1	
12	Pressure sensor	3126044	2	
13	Wash APS tube - 350mm	30011884	1	
14	Crimped proximity switch assembly	30000980	1	
15	Manual reset thermal triple switch - 3 pole - 85C (NC)	30000969	1	
16	PT - Fill System AS-WS		1	
17	Electrical Components - AS		1	
18	Silicon tube cut to 1760mm	30006284	1	
19	Airbreak hole blanking cover	30001049	1	
20	Chemical tube grommet	30002141	2	
21	Cap Chemical Tube Hole	30002143	2	
22	Reducing connector 6-4mm	30006129	1	
23	Cable Gland	3110153	1	
24	M3 Flange nut (DIN 6923)	30001171	14	
25	Spring Clip - Ø7.8mm to Ø8.3mm	30001083	6	
26	50mm Diameter grommet	30001834	1	
27	Ex Chemical Pumps Label		1	
28	Foam Pad Rectangular	30013499	6	
29	350mm Foam seal	30011634	1	
30	Cable tie	30001818	1	

9. Fill system

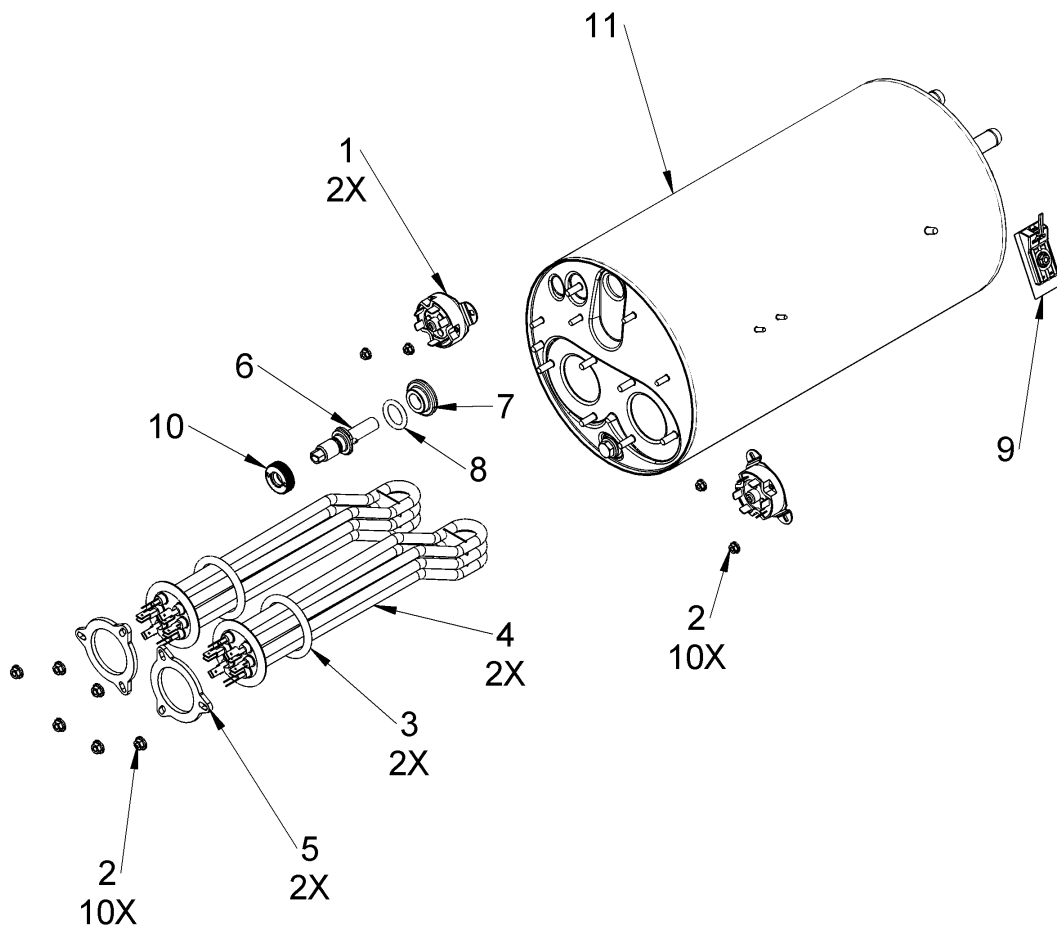


30013539-A

9. Fill System – BOM

Item	Description	Part number	QTY.	Note
1	12Ltr AS Boiler Assembly	30013541	1	
2	Rinse boiler to rinse pump - AS	30006065	1	
3	Rinse pump assembly - 500mm	30011811	1	
4	Hose - Boiler to Air Break	30013335	1	
5	Moulded Hose - PT WS to AB	30006055	1	
6	Water softener air break	30012387	1	
7	Water softener kit	83000420	1	
8	Solenoid valve flow restrictor 4l	3106250	1	
9	Solenoid to air gap hose - Pass through	30008504	1	
10	WS Port 3 to WS AB Port 3 hose - PT WS	30006051	1	
11	WS Port 2 to WS AB Port 2 hose - PT WS	30006050	1	
12	Jubilee Clip - 12mm to 22mm	30001088	2	
13	Spring clip - Ø12.8mm to Ø15mm	30006121	4	
14	Spring band - Ø18mm	30002577	4	
15	Spring band - Ø19mm	30006040	2	
16	Jubilee Clip -25mm to 40mm	30001089	1	
17	Jubilee clip - 200mm - 220mm	30006260	1	
18	Sp. Jubilee Clip - 25mm to 40mm	30013293	1	
19	M4 x 10mm Posi pan head screw	30006293	2	

10. 12kW - Boiler assembly

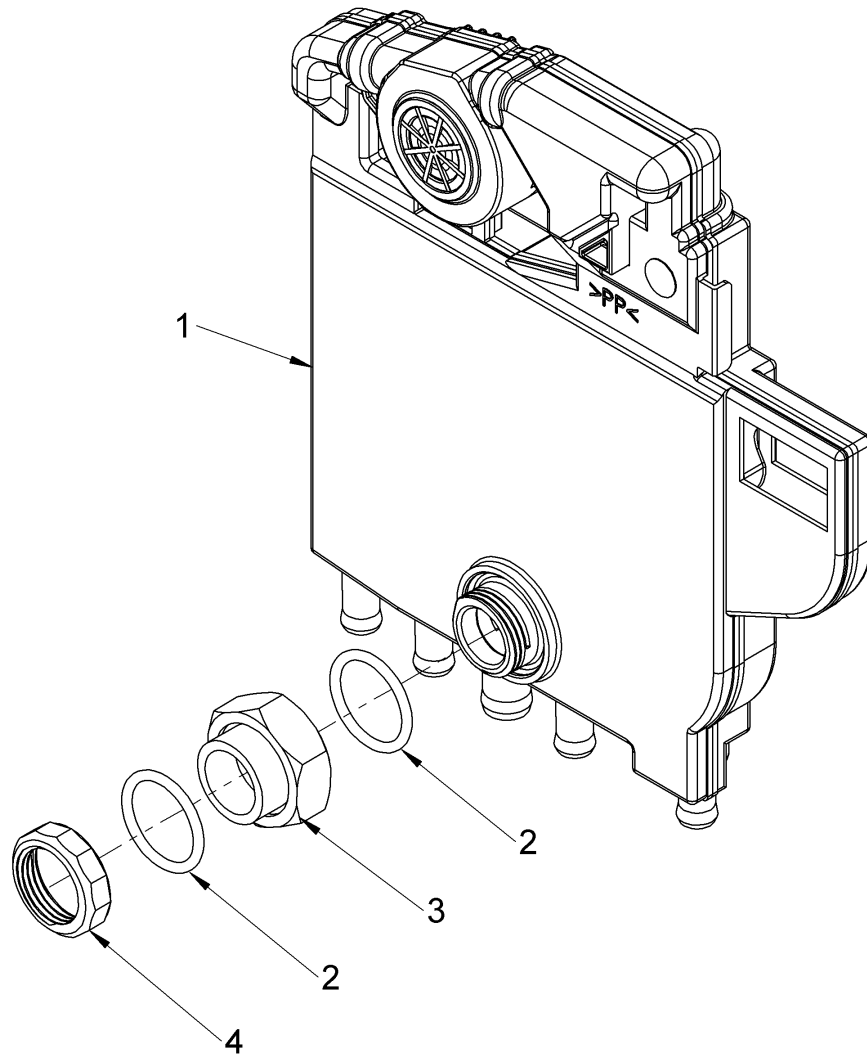


30013541-A

10. 12kW Boiler assembly – BOM

Item	Description	Part number	QTY.	Note
1	Manual reset thermal trip switch - 3 pole - 95°C	30006090	2	
2	M5 Flange nut (DIN 6923)	30001186	10	
3	O-Ring - Ø46 x Ø6	30000947	2	
4	6kW element - no phile	30011827	2	
5	Bracket - rinse element	0117003	2	
6	Float Plug	30013441	1	
7	Ring	60003943	1	
8	O Ring (23 x 3.5mm)	2707093	1	
9	Kit thermo sensor	30002179	1	
10	Nut M14x2 D28,8X8	60003989	1	
11	Rinse Boiler - 12kW	30013565	1	

11. Water softener air break

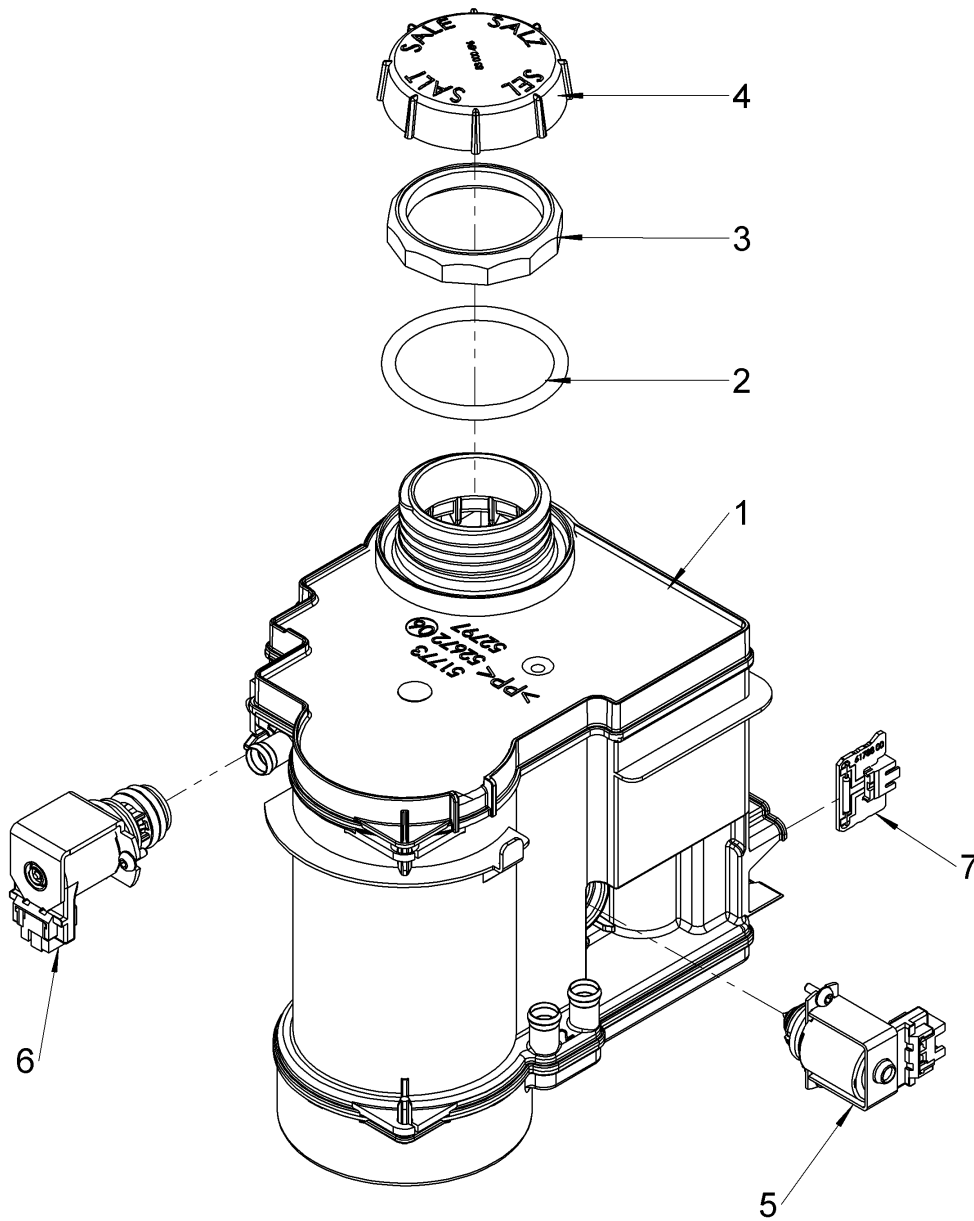


30012387-A

11. Water softner air break – BOM

Item	Description	Part number	QTY.	Note
1	AIR GAP	83000414	1	
2	O-ring - 25.7 X 3	2707097	2	
3	SPACER NUT	61006675	1	
4	Nut (Mutter)	60004612	1	

12. Water softener kit (83000420)

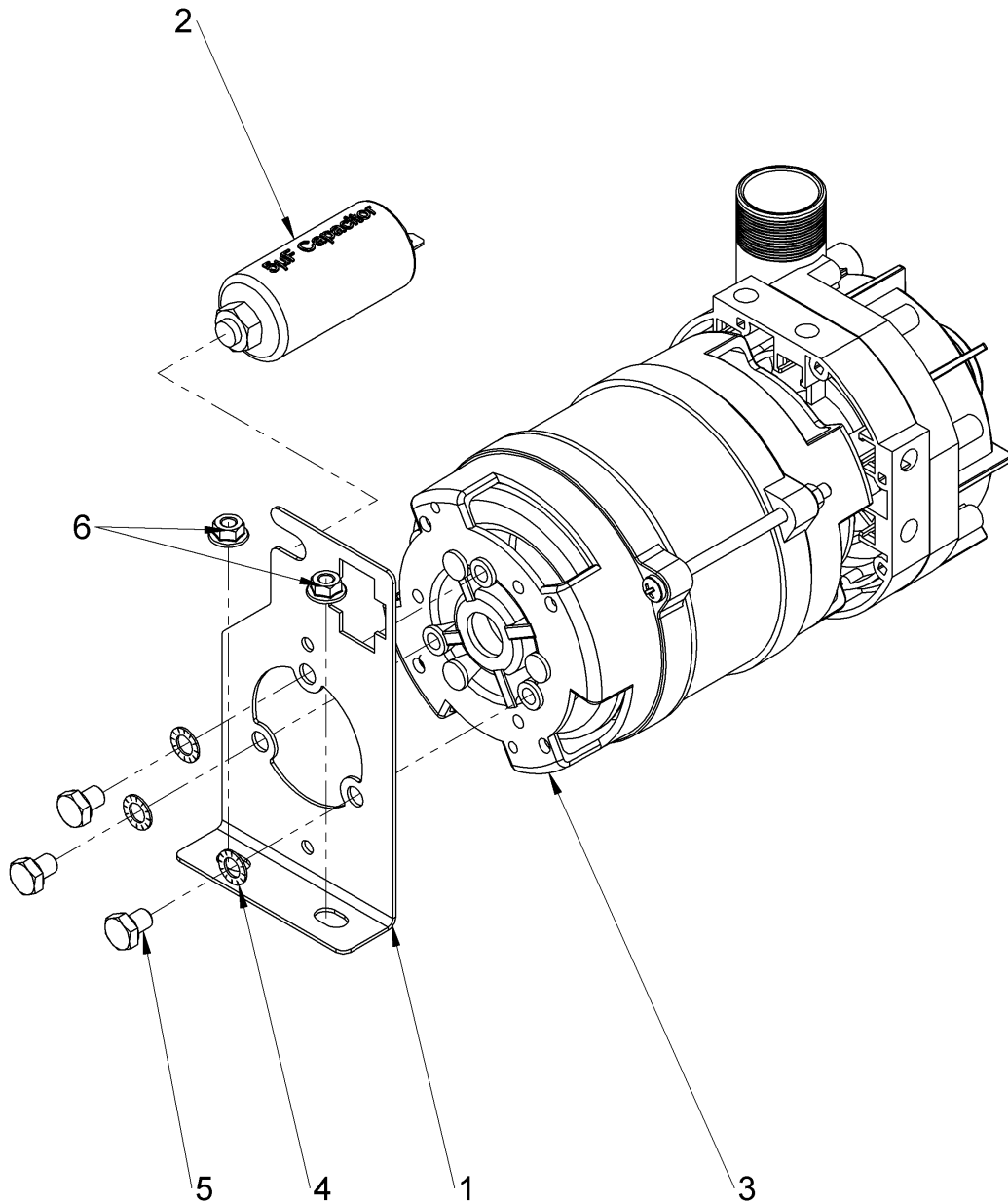


83000420-A

12. Water softener kit – BOM

Item	Description	Part number	QTY.	Note
1	Water softener 220-240V		1	
2	O-ring - Ø56 x Ø5	2707065	1	
3	LOCK NUT	60003001	1	
4	Salt reservoir cap	60004894	1	
5	Repair kit Regeneration valve	83000402	1	
6	Repair kit reversing valve	83000460	1	
7	Salt recognition reed contact	83000408	1	

13. Rinse pump assembly (30011811)

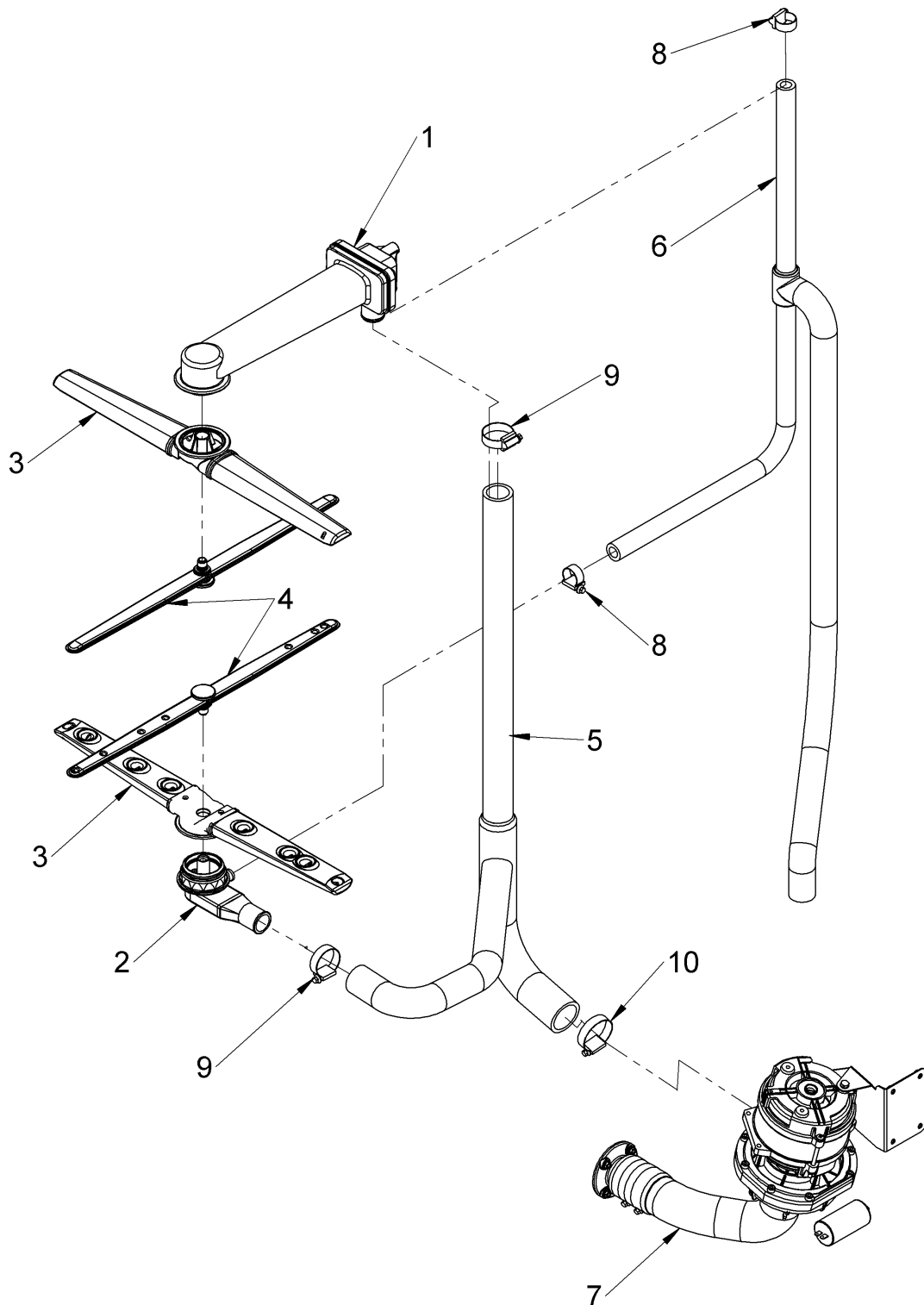


30011811-A

13. Rinse pump assembly (30011811) - BOM

Item	Description	Part number	QTY.	Note
1	Rinse pump bracket	30011678	1	
2	5µF Capacitor	30011583	1	Includes washer & nut
3	Rinse booster pump - 0.19kW	30011819	1	
4	M6 Serrated washer	30007939	3	
5	M6 x 8 hex head screw (ISO 4017)	30011209	3	
6	M5 Flange nut (DIN 6923)	30001186	2	

14. Wash and Rinse system

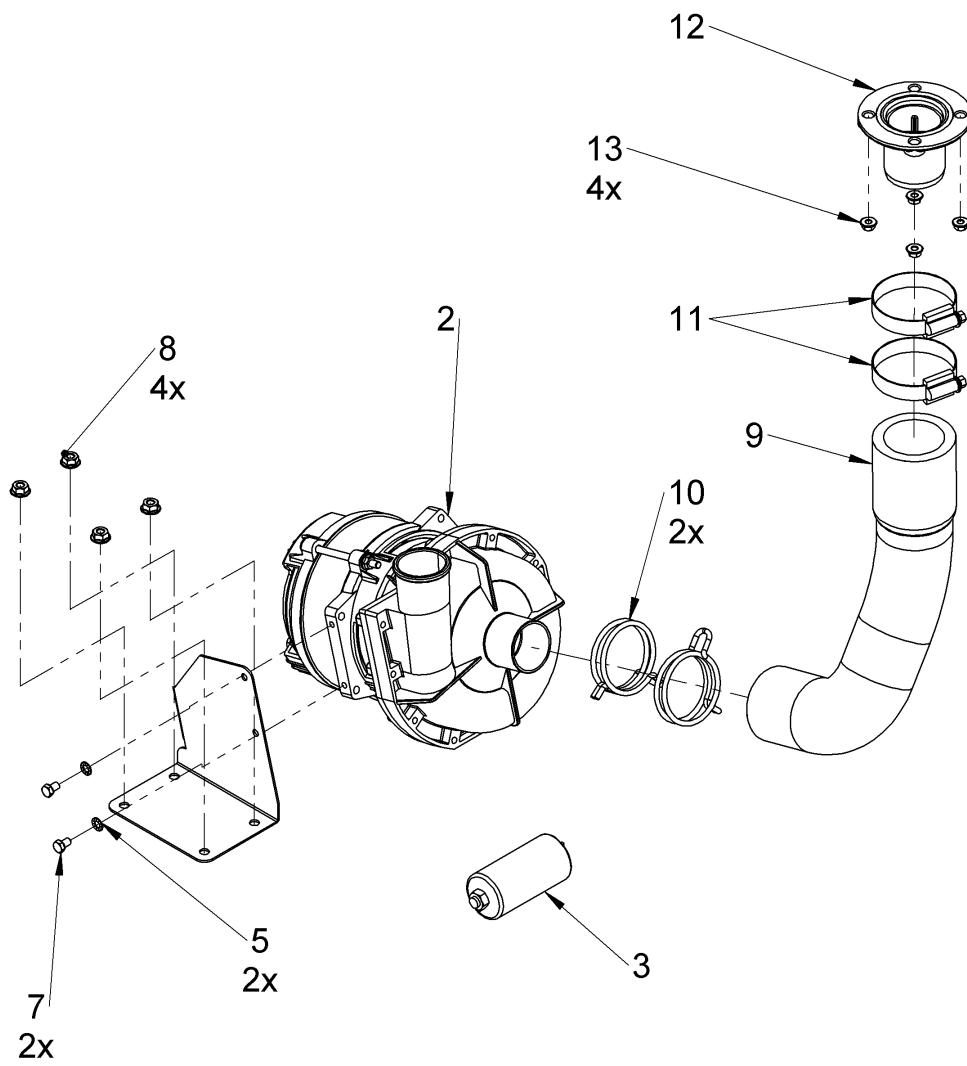


30013510-A

14. Wash and Rinse system – BOM

Item	Description	Part number	QTY.	Note
1	Hood top manifold assembly	30013520	1	
2	Centre boss assembly	30003284	1	
3	Kit rotary arms washing	60003520	2	
4	Revolving rinse arm assembly - 500mm	60004062	2	
5	Wash pump outlet hose	30001219	1	
6	Rinse system hose DS	30001220	1	
7	PT wash pump assembly		1	
8	Jubilee Clip - 16mm to 27mm	30001799	2	
9	Jubilee Clip -25mm to 40mm	30001089	2	
10	Jubilee clip - 32mm to 50mm	30001114	1	

15. Wash pump assembly

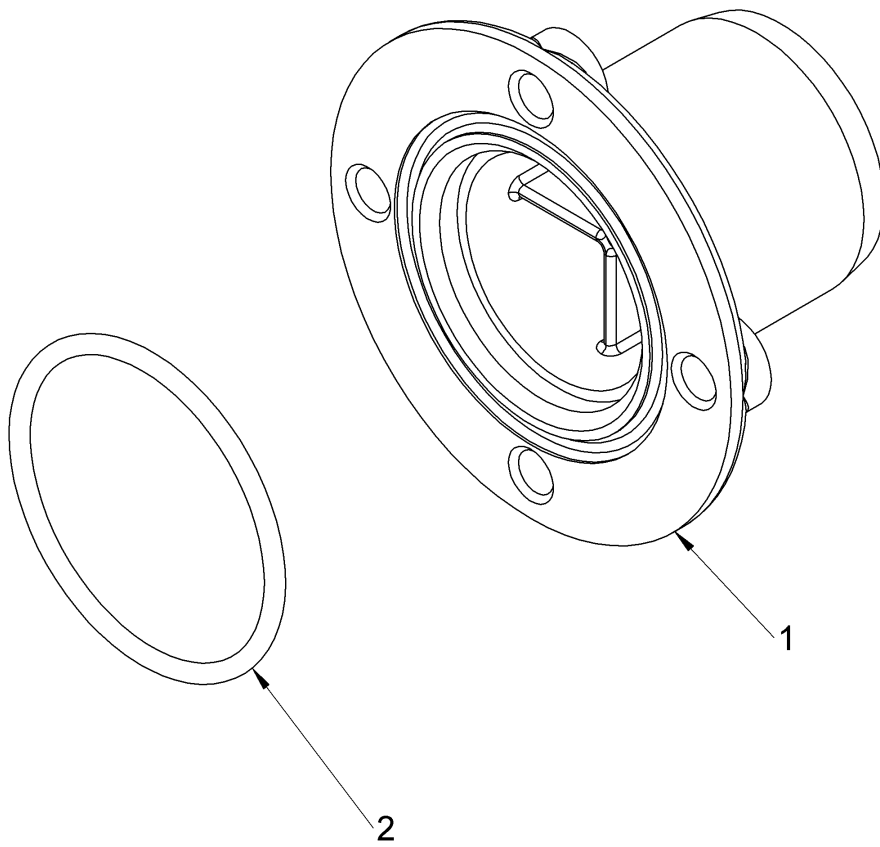


30013511-A

15. Wash pump assembly – BOM

Item	Description	Part number	QTY.	Note
1	PT wash pump bracket	30011578	1	
2	Wash pump 0.58kW	30011817	1	
3	12.5 μ F Capacitor	30011582	1	Includes washer & nut
4	M6 Serrated washer	30007939	1	
5	M5 Serrated washer	30001126	2	
6	M6 x 12 hex head screw (ISO 4017)	30008585	1	
7	M5 x 8 hex head screw (ISO 4017)	30001124	2	
8	M6 Flange nut (DIN 6923)	30001848	4	
9	Wash pump inlet hose	30001231	1	
10	Spring clip - \varnothing 48mm to \varnothing 53mm	30003890	2	
11	Jubilee clip - 40mm to 60mm	30001218	2	
12	Wash boss assembly	30013519	1	
13	M5 Flange nut (DIN 6923)	30001186	4	

16. Wash Boss assembly (30013519)

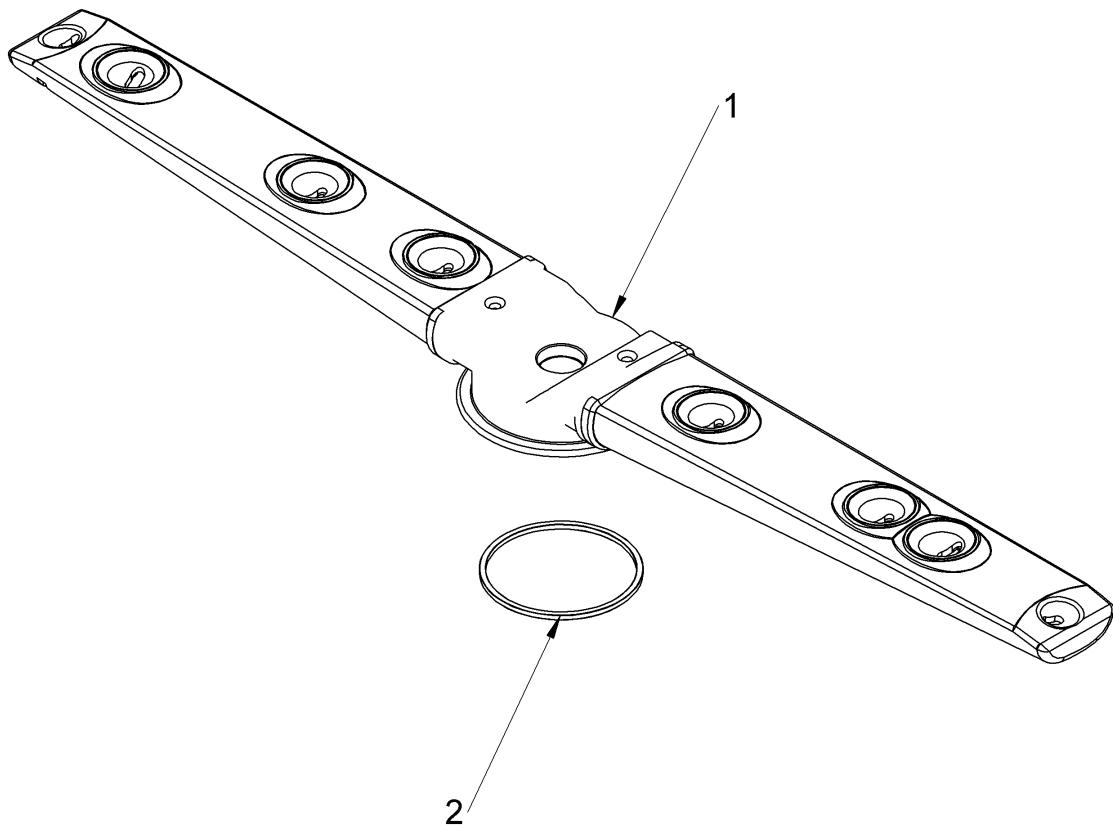


30013519-A

16. Wash boss assembly (30013519) - BOM

Item	Description	Part number	QTY.	Note
1	Wash outlet		1	
2	O-ring - Ø48 x Ø3	30000404	1	

17. Kit Rotary arms washing (60003520)

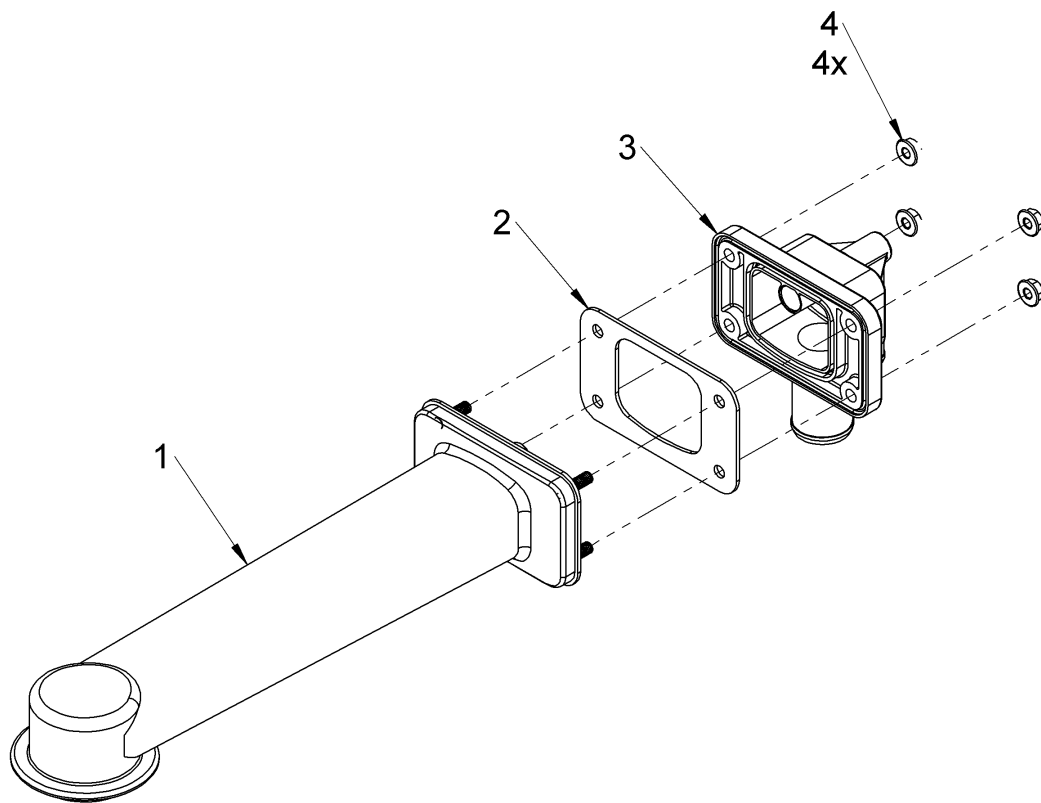


60003520-A

17. Kit Rotary arms washing (60003520) – BOM

Item	Description	Part number	QTY.	Note
1	Wash Arm 500mm		1	Not available as a spare
2	Seal ring	60003021	1	Only on Dishwasher

18. Top manifold assembly

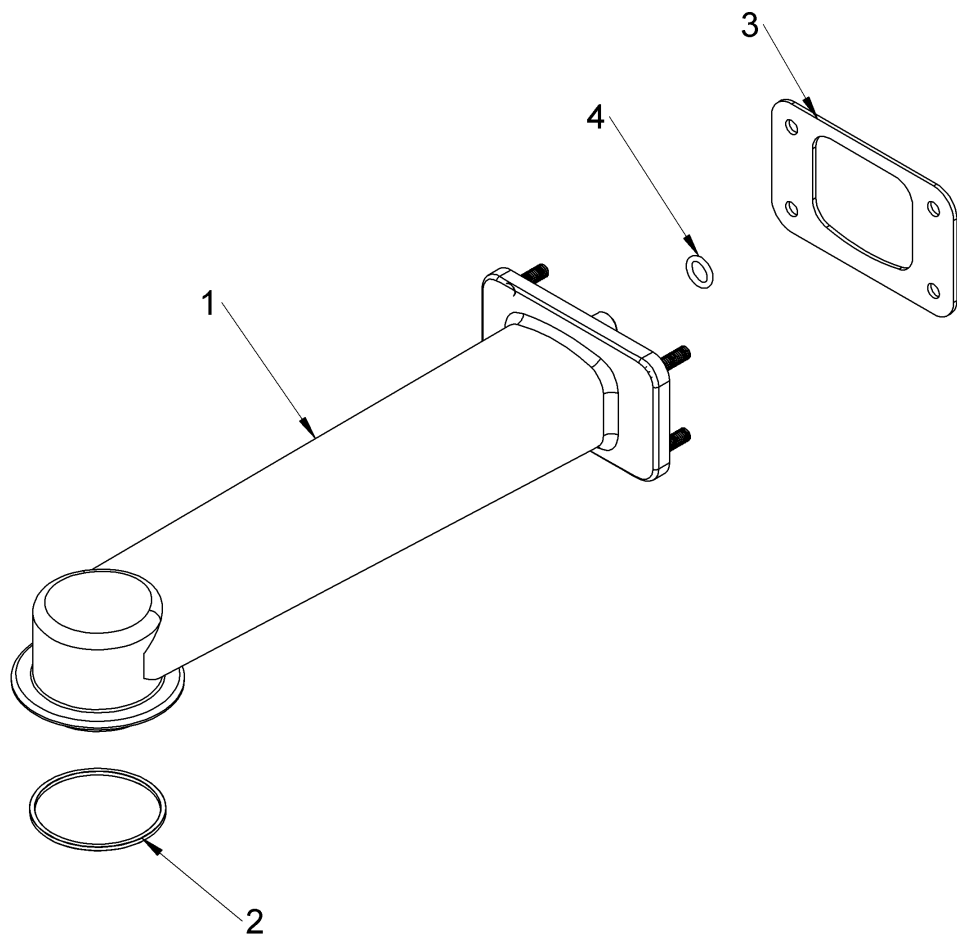


30013520-A

18. Top manifold assembly – BOM

Item	Description	Part number	QTY.	Note
1	Top Manifold	30013508	1	
2	Top wash seal	30001036	1	
3	Wash/Rinse manifold outer	30001035	1	
4	M6 Flange nut (DIN 6923)	30001848	4	

19. Top manifold

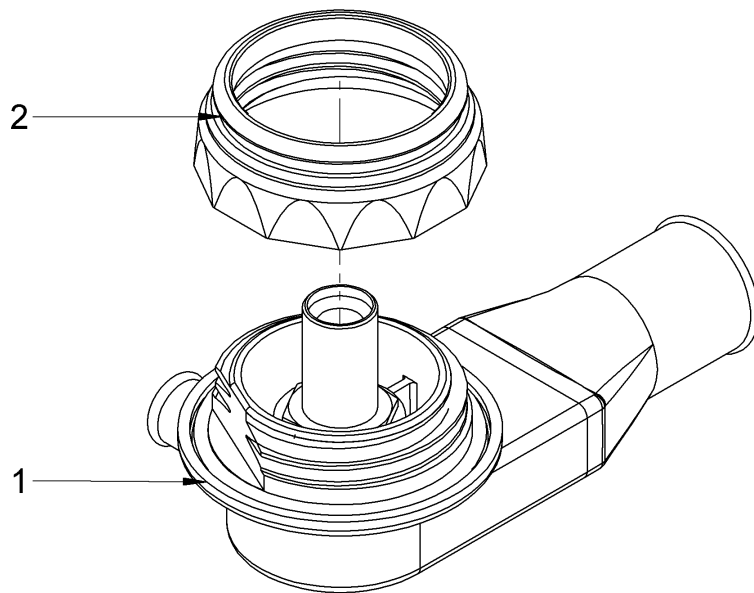


30013508-A

19. Top manifold – BOM

Item	Description	Part number	QTY.	Note
1	PT Top Manifold		1	
2	Seal ring	60003021	1	Only on Dishwasher
3	Top wash seal	30001036	1	
4	O ring - 2.5mm x 10mm	30000723	1	

20. Center boss assembly

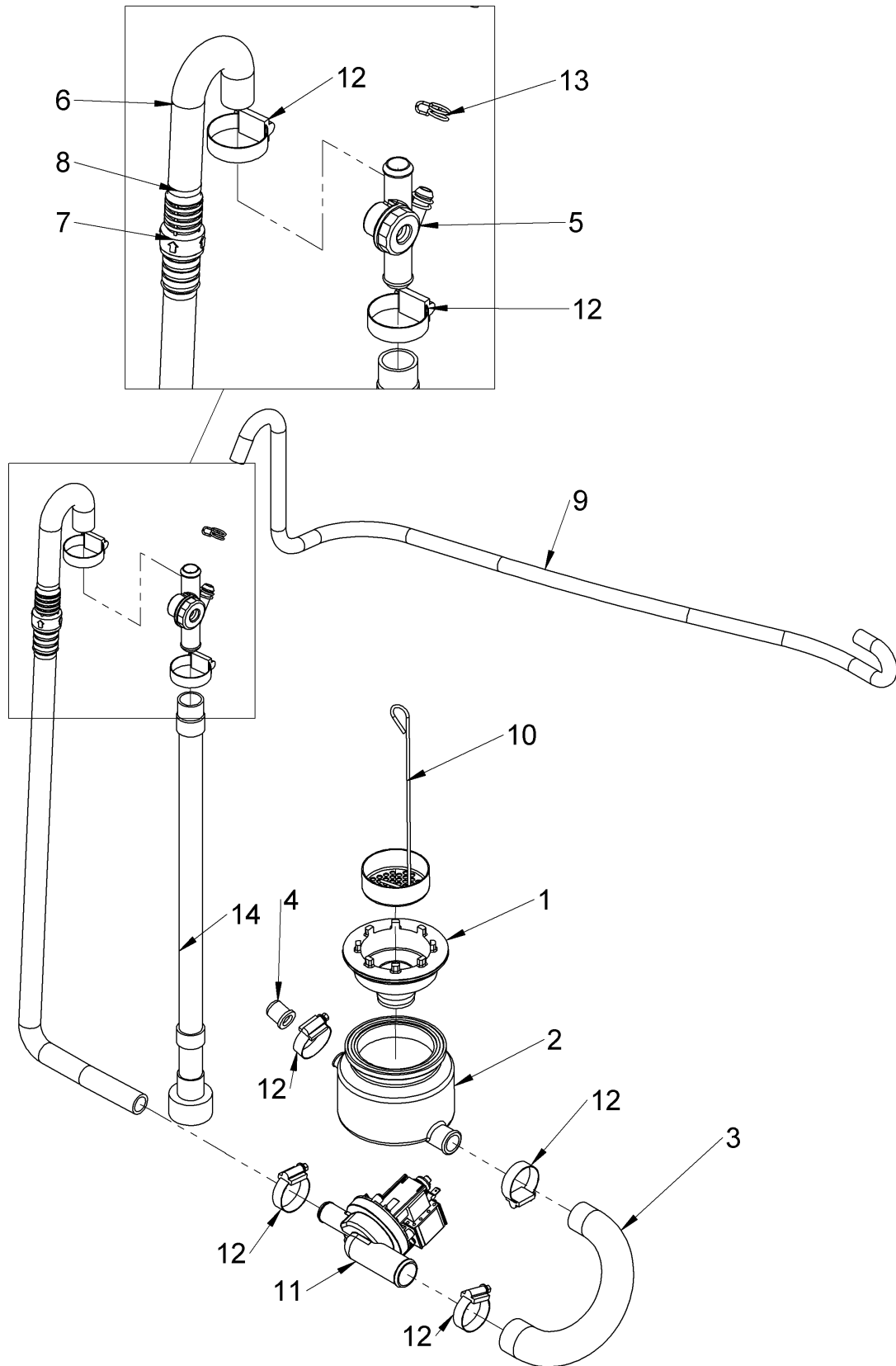


30003284-A

20. Center boss assembly – BOM

Item	Description	Part number	QTY.	Note
1	Centre boss assembly	30012323	1	
2	Lock nut	60003005	1	

21. Drain System

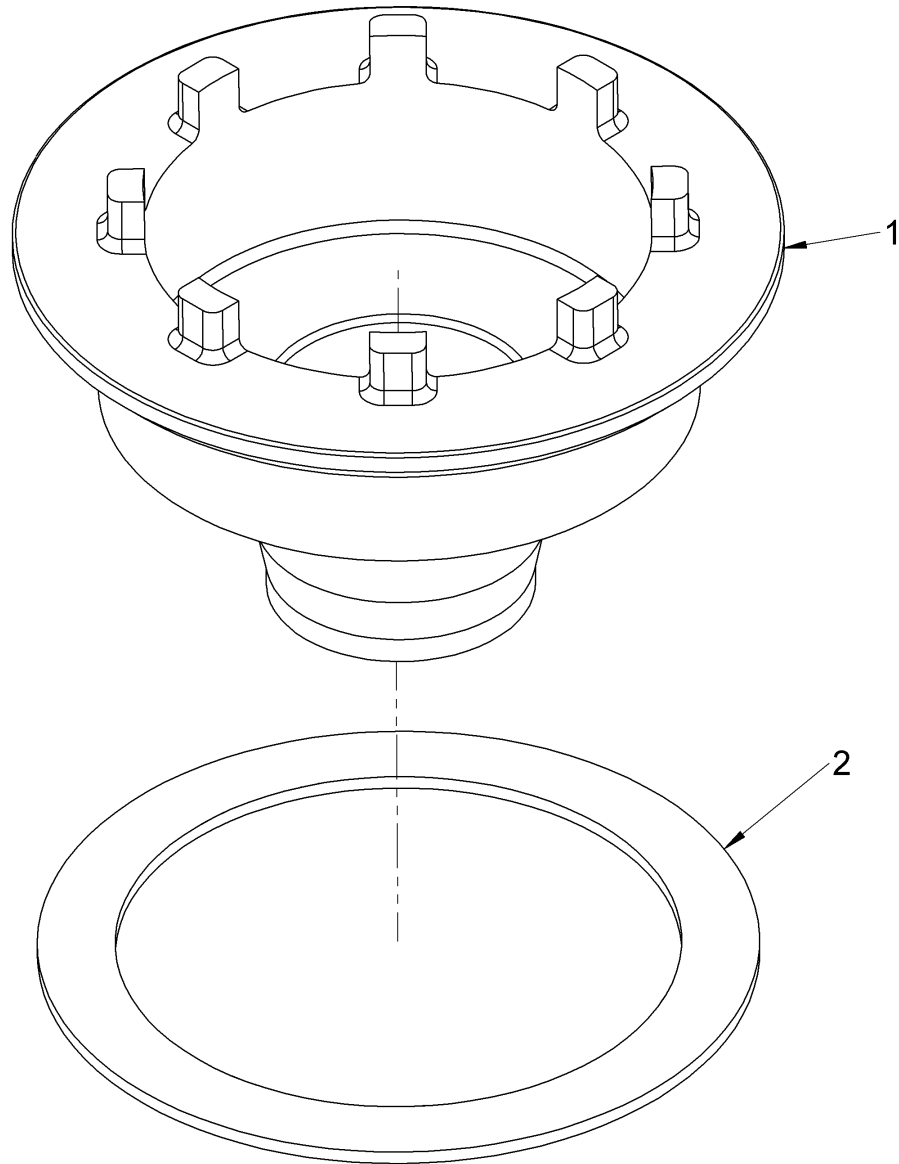


30013522-A

21. Drain System – BOM

Item	Description	Part number	QTY.	Note
1	Kit sump drain	61006178	1	
2	Kit drain bottle	61005186	1	
3	Drain pump inlet hose	30001141	1	
4	End cap - 12 x 20 - rubber	30001117	1	
5	Kit drain air break	60003514	1	
6	Shape hose	60004004	1	
7	Non return valve (NRV)	30011892	1	
8	4x160mm cable tie	30006229	2	
9	WS Brine waste hose - P3	30006072	1	
10	PT Secondary Metal Filter	65005555	1	
11	Drain pump - Head 90° to flow	30011696	1	
12	Sp. Jubilee Clip - 25mm to 40mm	30013293	6	
13	Spring clip - Ø12.8mm to Ø15mm	30006121	1	
14	Pump Drain hose - PT	30013439	1	

22. Sump Drain Set

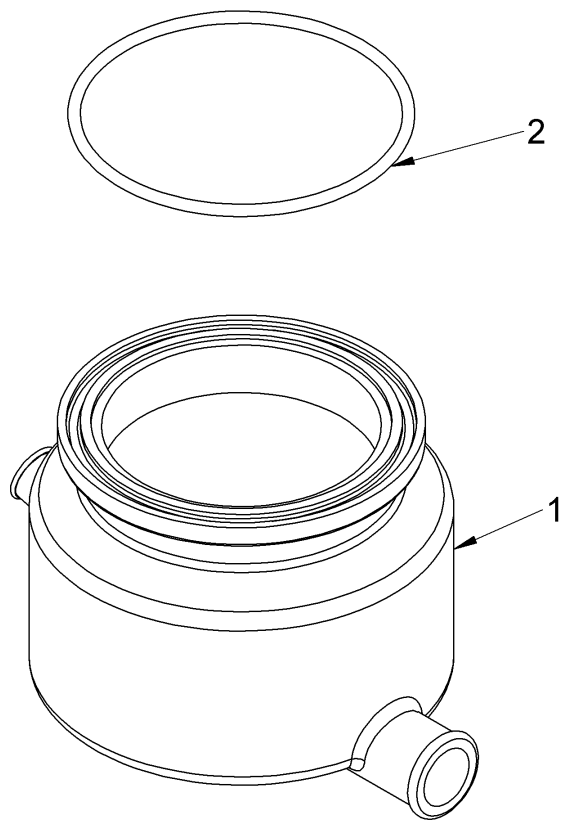


61006178-A

22. Sump Drain Set – BOM

Item	Description	Part number	QTY.	Note
1	Drain boss Inner		1	
2	Drain seal	2701007	1	

23. Kit Drain Bottle

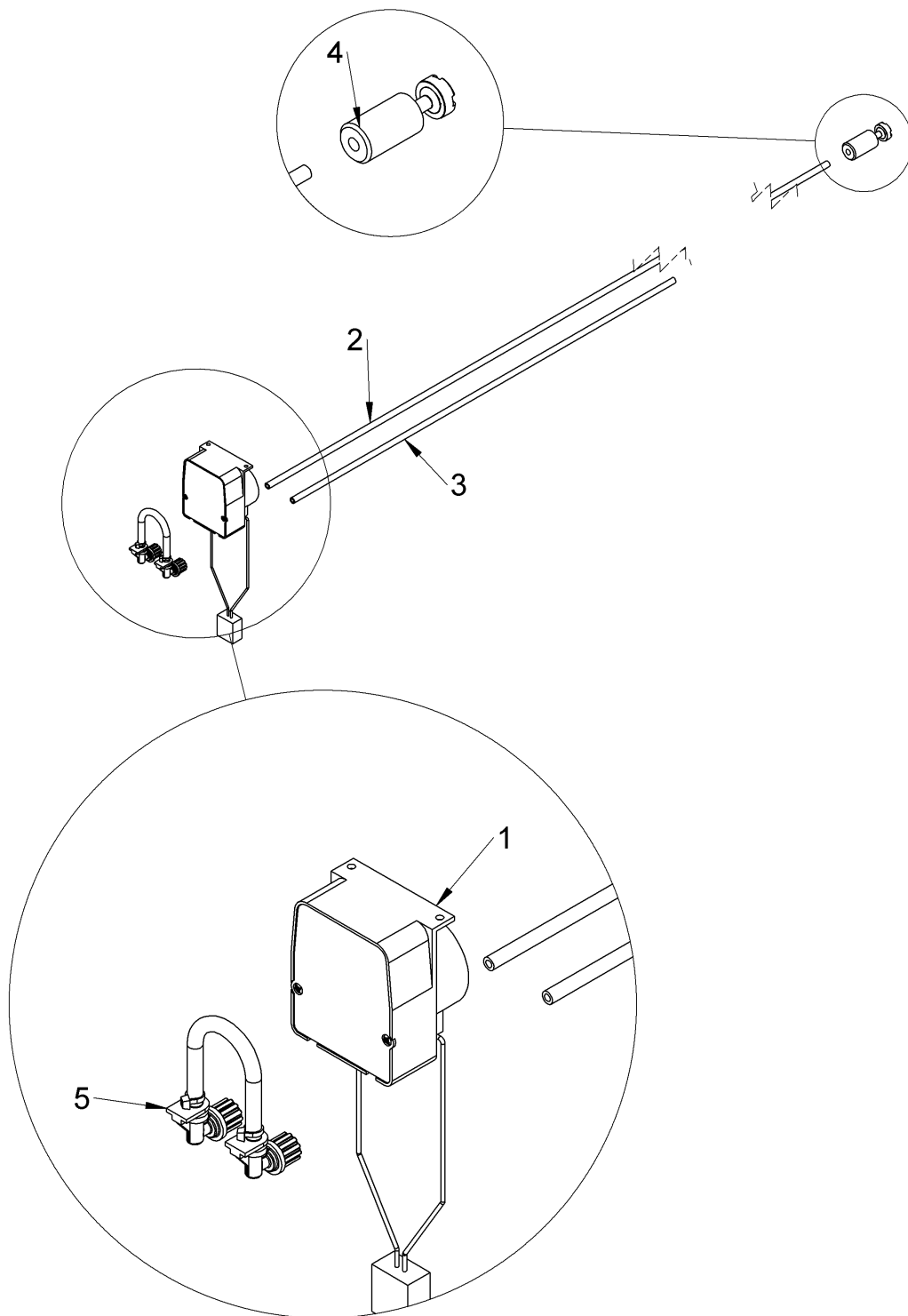


61005186-A

23. Kit Drain Bottle - BOM

Item	Description	Part number	QTY.	Note
1	Drain bottle		1	
2	O-ring - Ø91 x Ø3.5	2707075	1	

24. Detergent pump assembly (30011805)

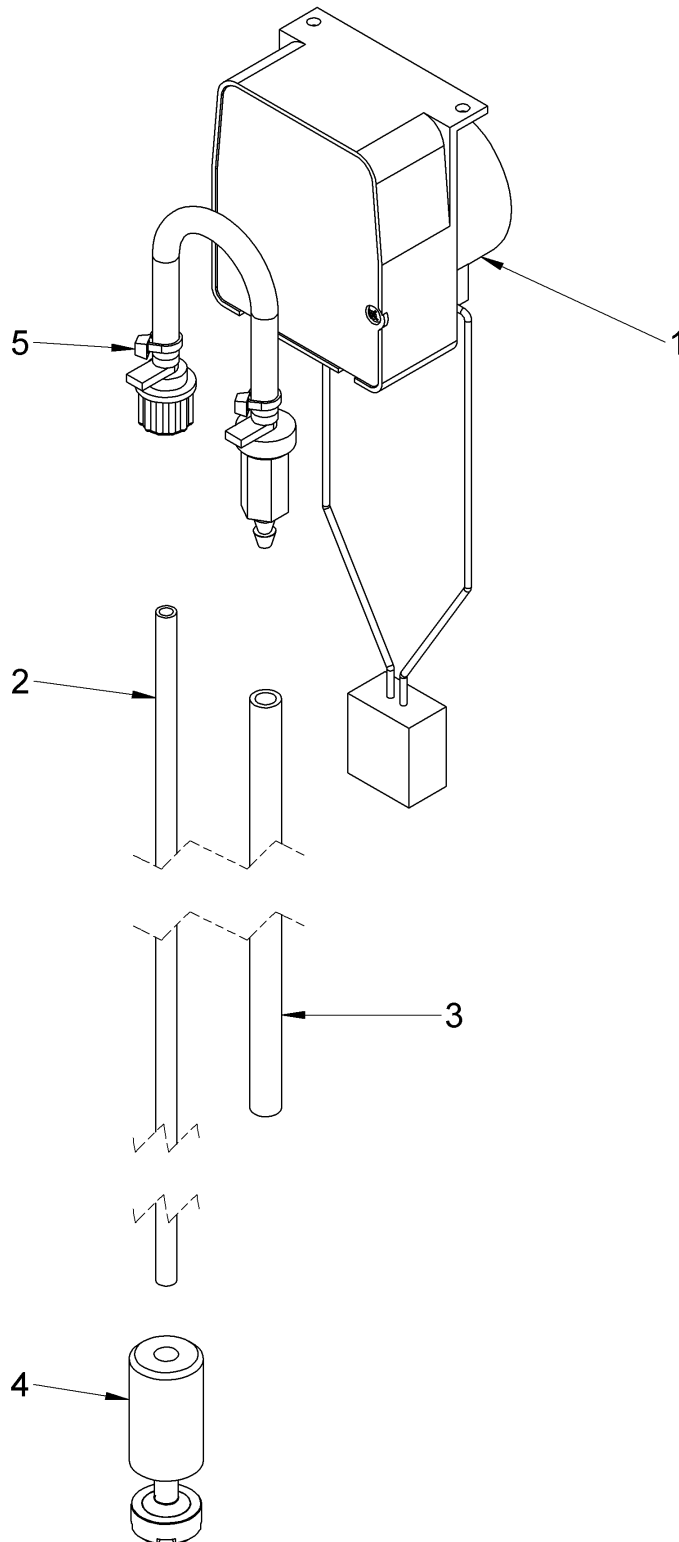


30011805-B

24. Detergent pump assembly – BOM

Item	Description	Part number	QTY.	Note
1	Detergent pump housing		1	Not available as a spare
2	Detergent inlet tube	30012405	1	Clear Tube
3	Detergent outlet tube	30012406	1	
4	Bottle weight kit	30012370	1	
5	Detergent peristaltic tube assembly	30012407	1	

25. Rinse aid pump assembly (30011806)

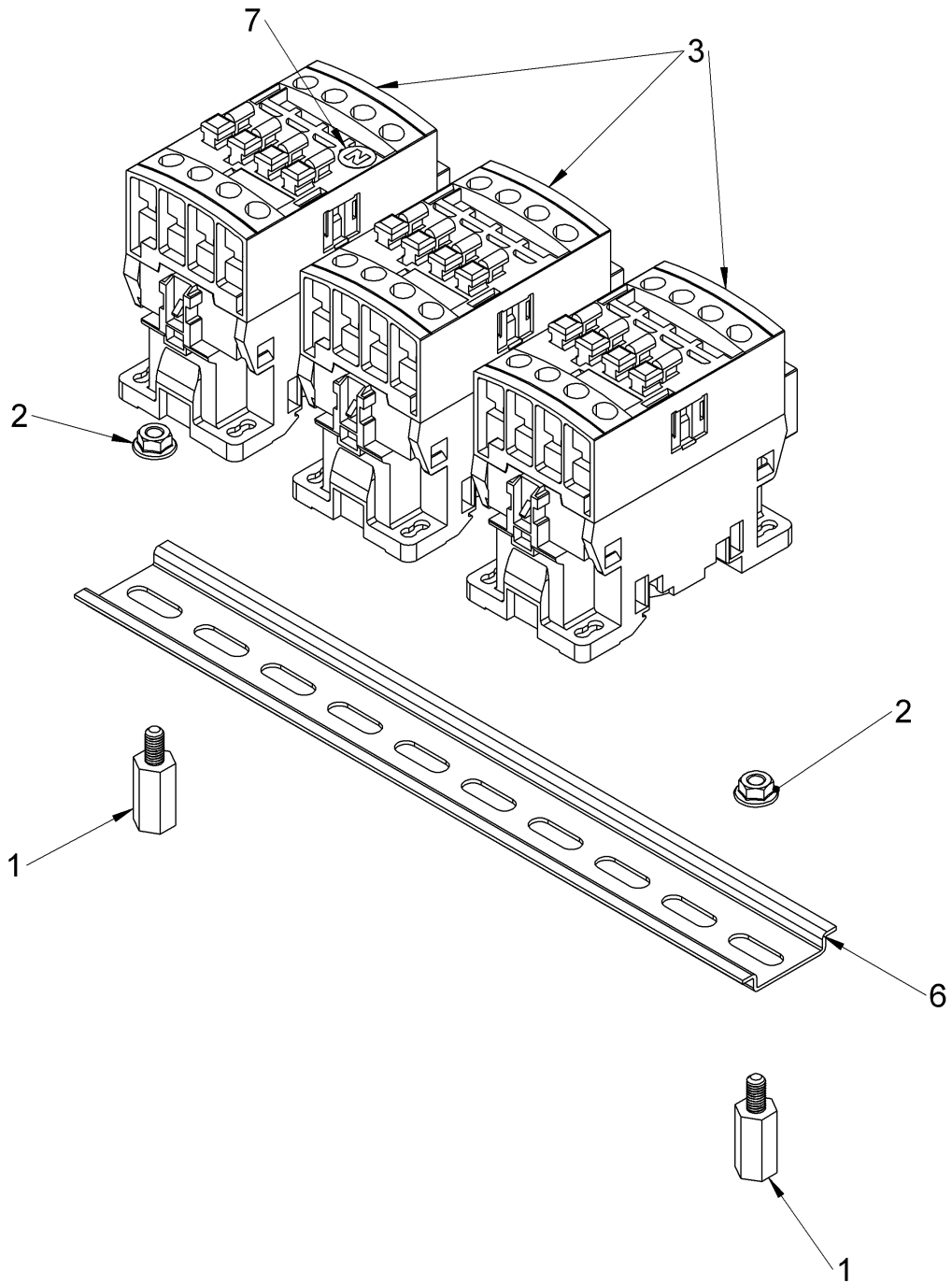


30011806-A

25. Rinse aid pump assembly – BOM

Item	Description	Part number	QTY.	Note
1	Rinse aid pump housing		1	Not available as a spare
2	Rinse aid inlet tube	30012413	1	Blue Tube
3	Rinse aid outlet tube	30012414	1	
4	Bottle weight kit	30012370	1	
5	Rinse aid peristaltic tube assembly	30012415	1	

26. Electrical Assembly

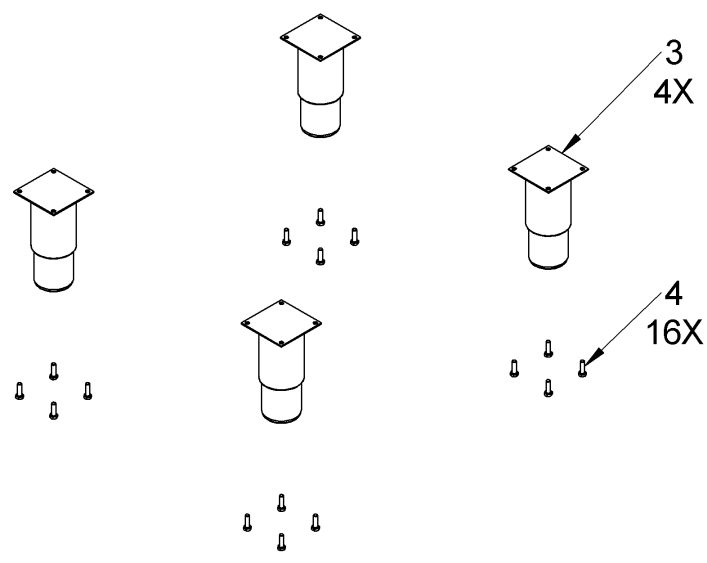
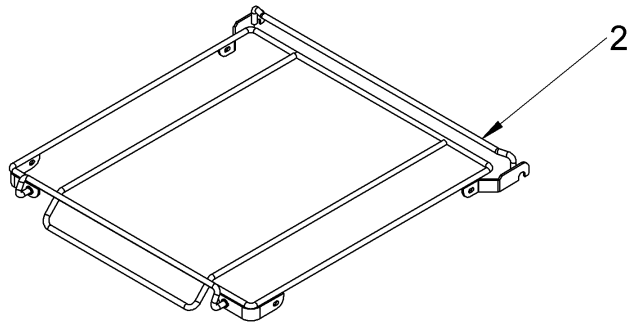
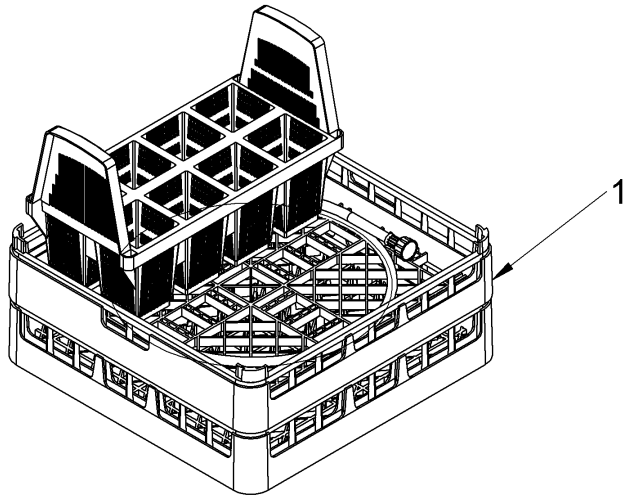


30013524-A

26. Electrical assembly – BOM

Item	Description	Part number	QTY.	Note
1	DIN Rail - Slotted 250mm		1	
2	M5 x 20mm Hex Boss	30006302	2	
3	M5 Flange nut (DIN 6923)	30001186	2	
4	Contactora AF16	30000861	3	
5	AS Heat Harness		1	Not available as a spare
6	Full Control Harness		1	Not available as a spare

27. Accessories



30013540-A

27. Accessories – BOM

Item	Description	Part number	QTY.	Note
1	500mm Dishwasher accessories	30012340	1	Not shown
2	Basket Frame	30001200	1	
3	Adjuster foot	30001222	4	
4	M6 x 20 hex head screw (ISO 4017)	30001080	16	

28. 500mm Dishwasher accessories

Item	Description	Part number	QTY.	Note
1	Water supply hose	30001162	1	
2	500mm ² open basket	30001197	1	
3	500mm ² dish basket	30001198	1	
4	Large cutlery basket	3602258	1	

29. WS accessories

Item	Description	Part number	QTY.	Note
1	Salt bag 2kg	20003002	1	
2	Salt funnel	3502013	1	

30. Mains cable

Item	Description	Part number	QTY.	Note
1	30A 1Phase Mains Cable Kit	30013553	1	
2	3 Phase mains cable - 2016	30012067	1	
3	30A 3PH Mains Cable	30001189	1	
4	Mains cable 4G2.5 - No neutral	30008652	1	

Document number: 30013653
Revision: A
Date: 12/01/2018
Language: English
Original instructions